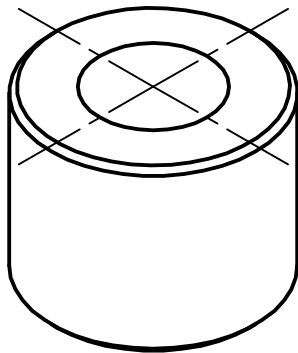
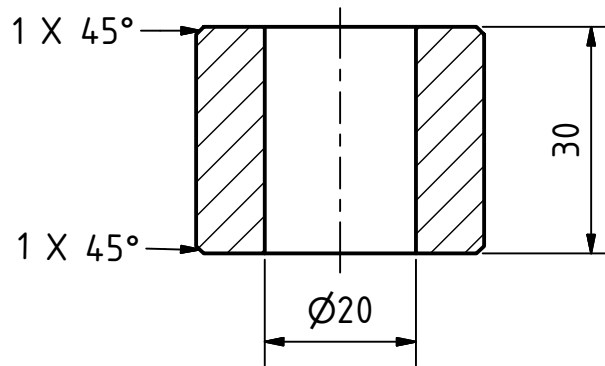





Section M-M



PROJECT		CREATED BY		APPROVED BY		DATE		VERSION	
Cross Flow Turbine		D.MOSQUERA		D. JAEGER		05-04-21		1.0	
PART NAME		FILE NAME						PART CODE	
Knob ring		oseg_cft_knob-ring.ipt						7.7	
DEVELOPED BY		REDESIGNED BY		SUPPORTED BY		DOC. TYPE		MATERIAL	
		 OPEN SOURCE ECOLOGY GERMANY OSEG				PART LICENCE		Steel C45	
						SCALE		SHEET	
						1:1		80 /90	
						CC.BY.SA 4.0			