
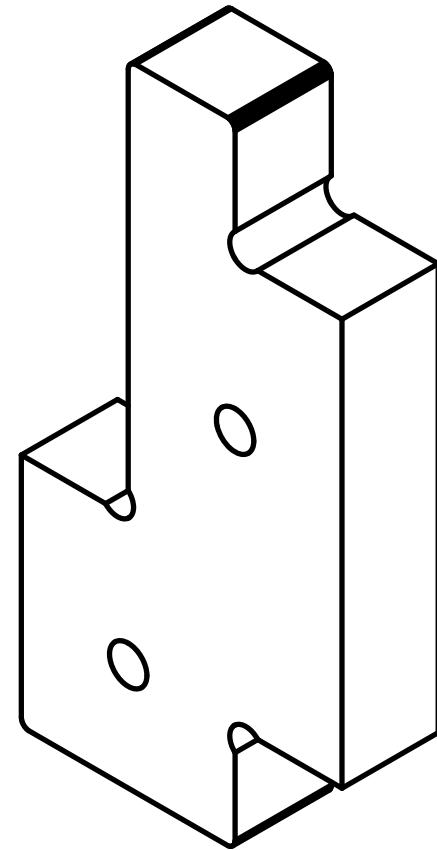
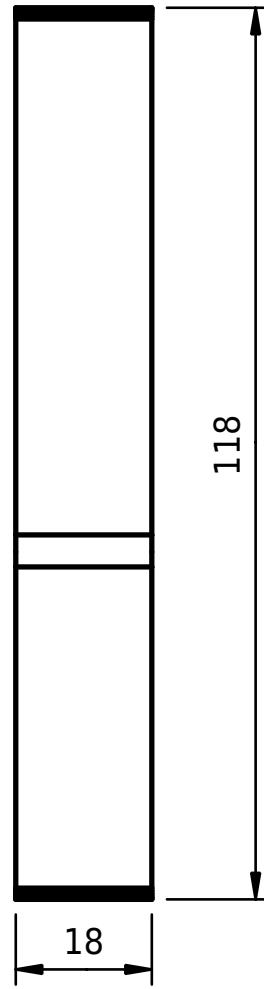
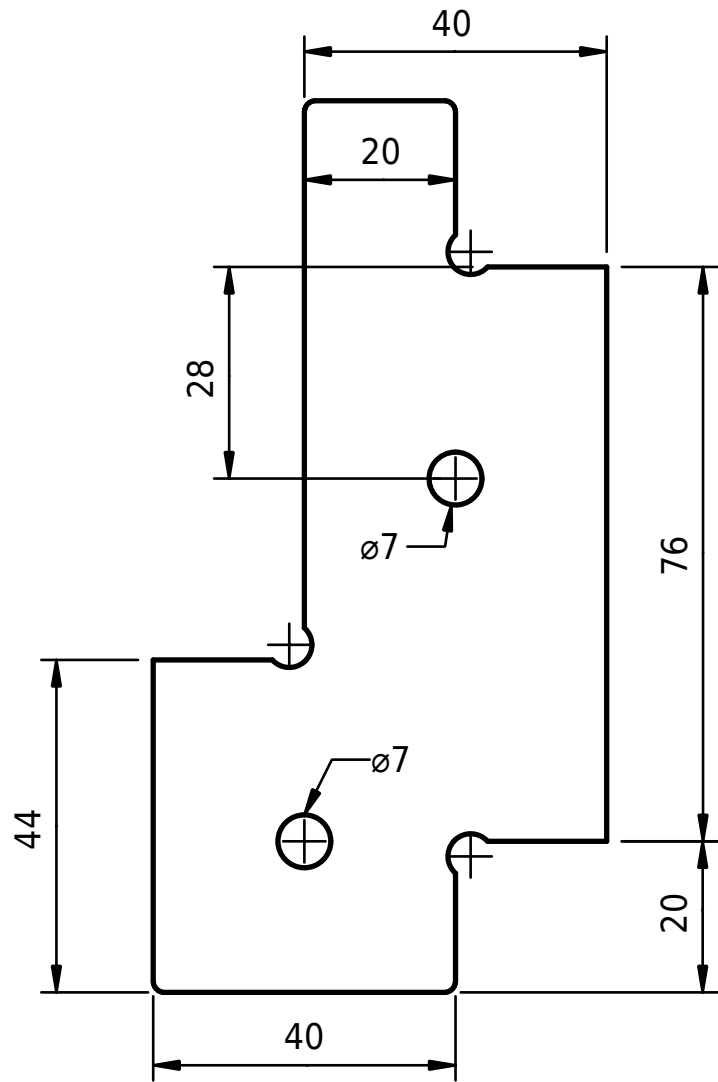


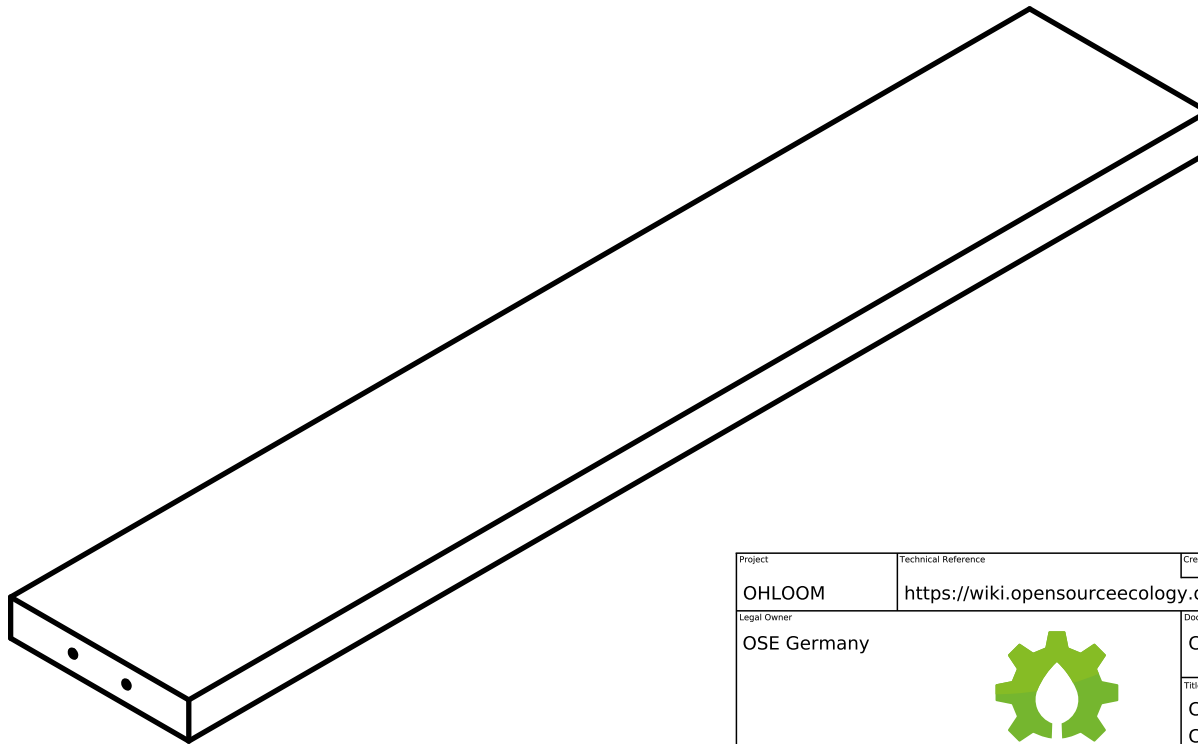
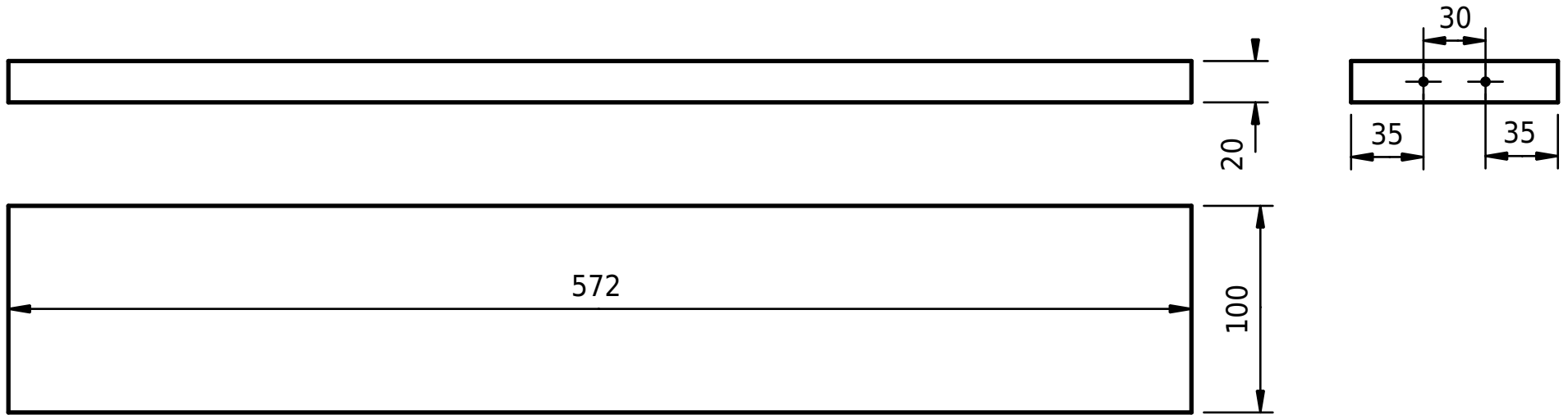




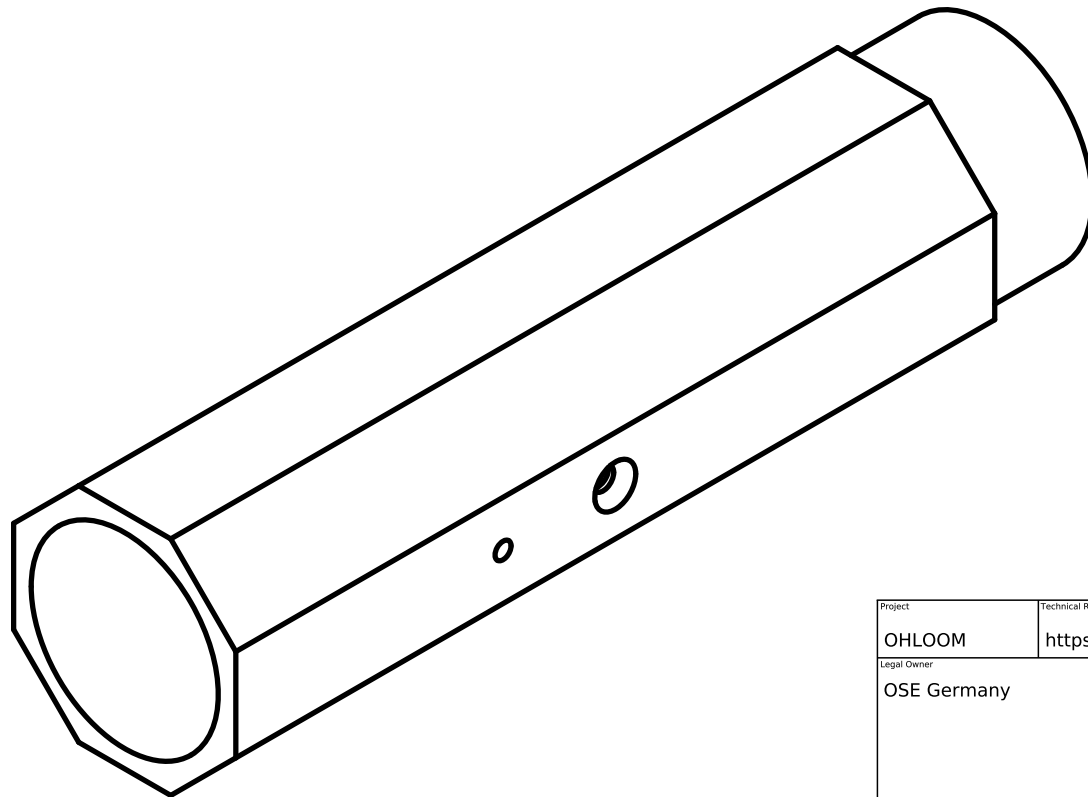
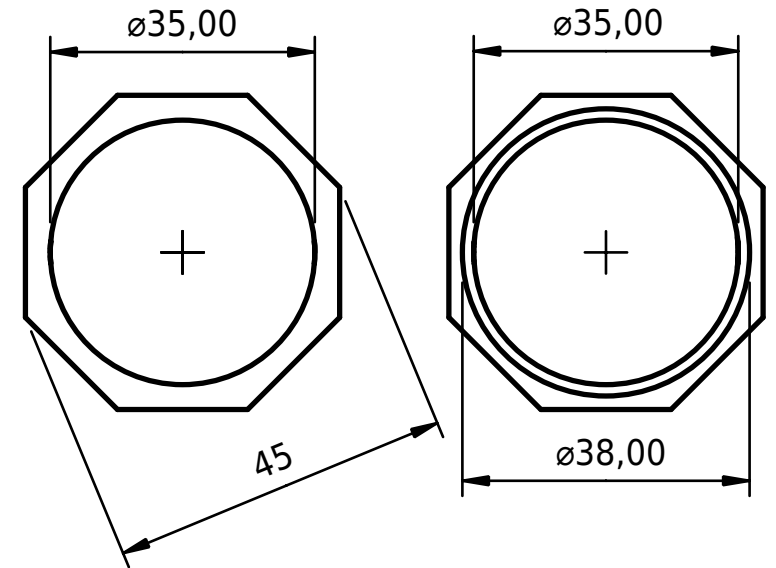
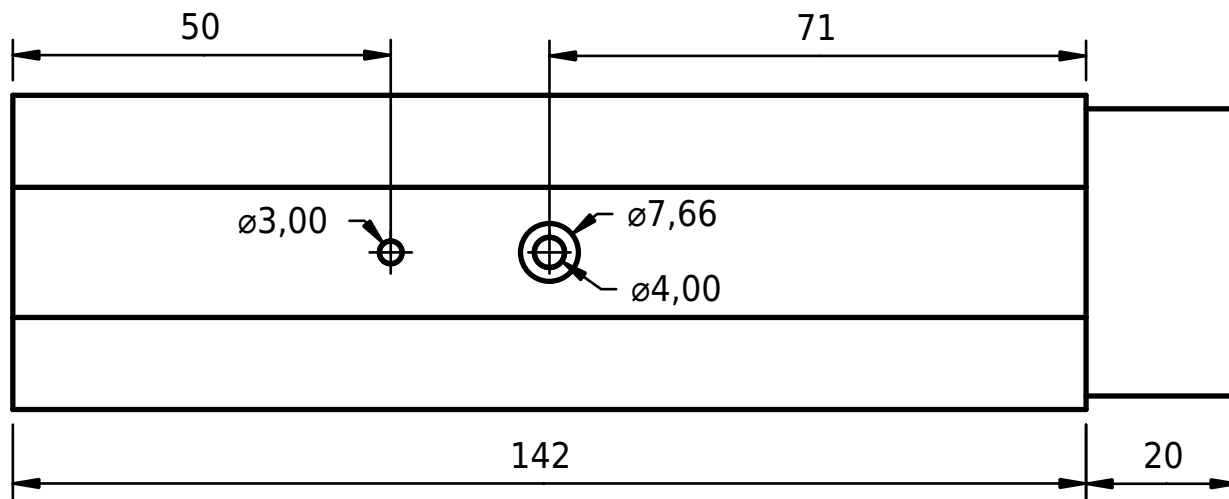
Project	Technical Reference	Created By	Approved By	Classification/Keywords		
OHLOOM	https://wiki.opensourceecology.de/Open_Hardware-Webstuhl_-_OHLOOM	BBScar	Case	OH Textil		
Legal Owner	 OPEN SOURCE ECOLOGY GERMANY	Document Type	Document Status			
OSE Germany		Corpus Frame	Part			
		Title/Supplementary Title	Identification Number			
		Frameside Sidepart	19040100			
		Small Holes 6-7mm CNC Potential	Rev.	Date Of Issue	Scale	Seg./Sn
			1.0	21-04-2019	1:3	2/15





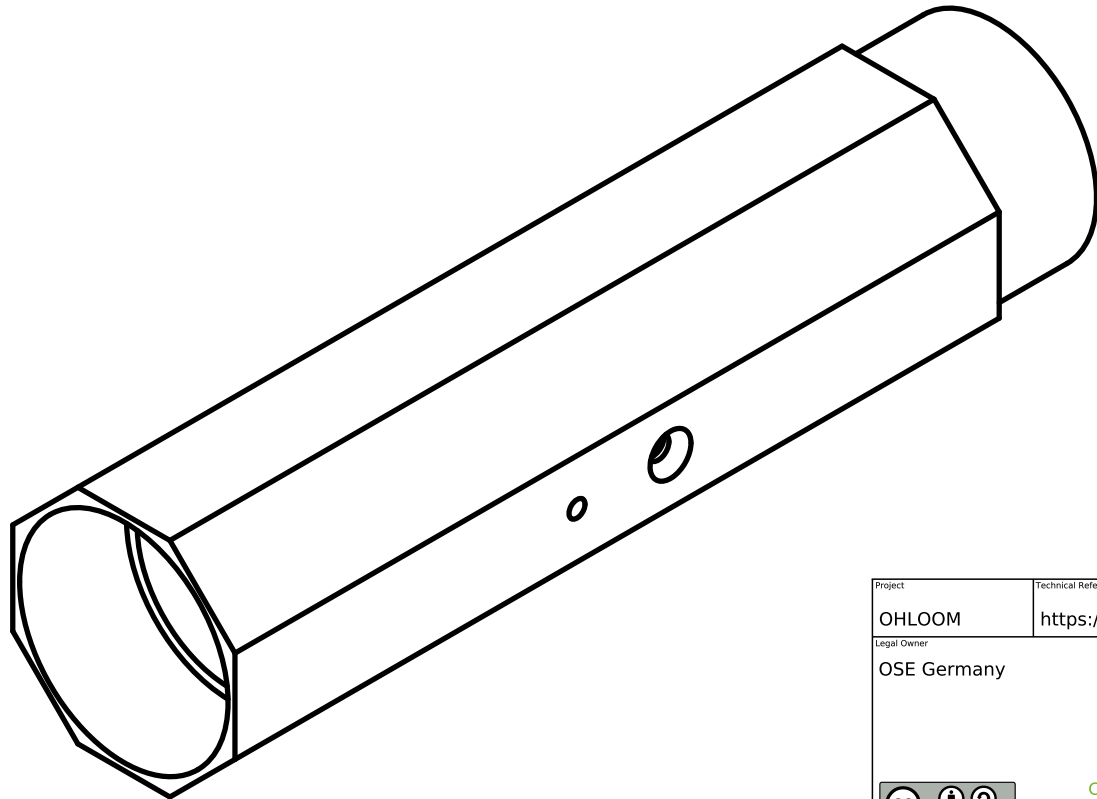
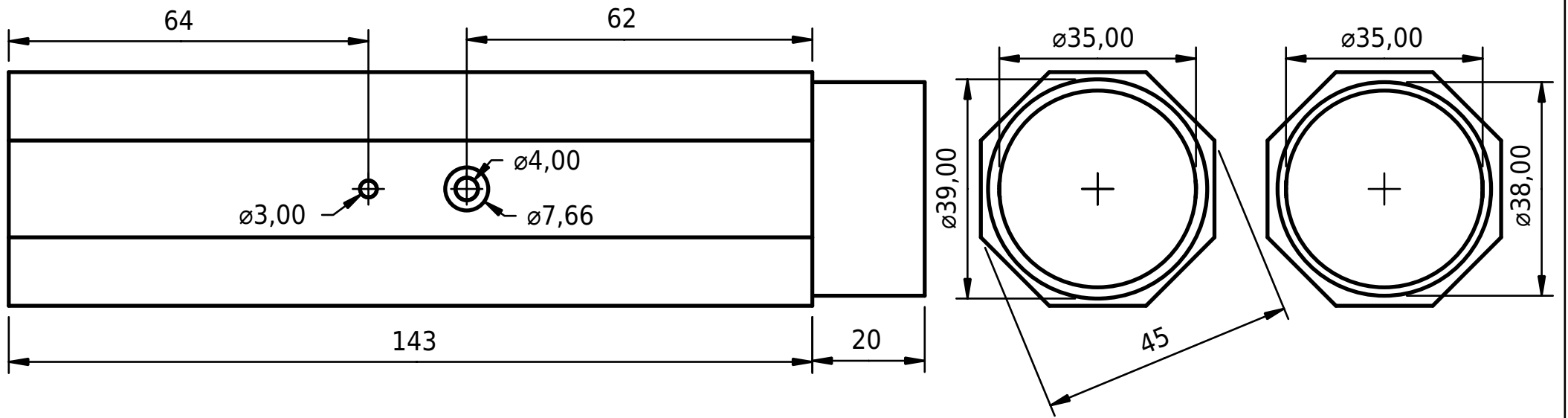
Project	Technical Reference	Created By	Approved By	Classification/Keywords	
OHLOOM	https://wiki.opensourceecology.de/Open_Hardware-Webstuhl_-_OHLOOM	BBSscar	Case	OH Textil	
Legal Owner	 OPEN SOURCE ECOLOGY GERMANY	Document Type	Document Status		
OSE Germany		Corpus Frame	Part		
		Title/Supplementary Title	Identification Number		
		Combholder CNC Potential	19040101		
		Rev.	Date Of Issue	Scale	Seg./Sn
		1.0	21-04-2019	1:1	2/15





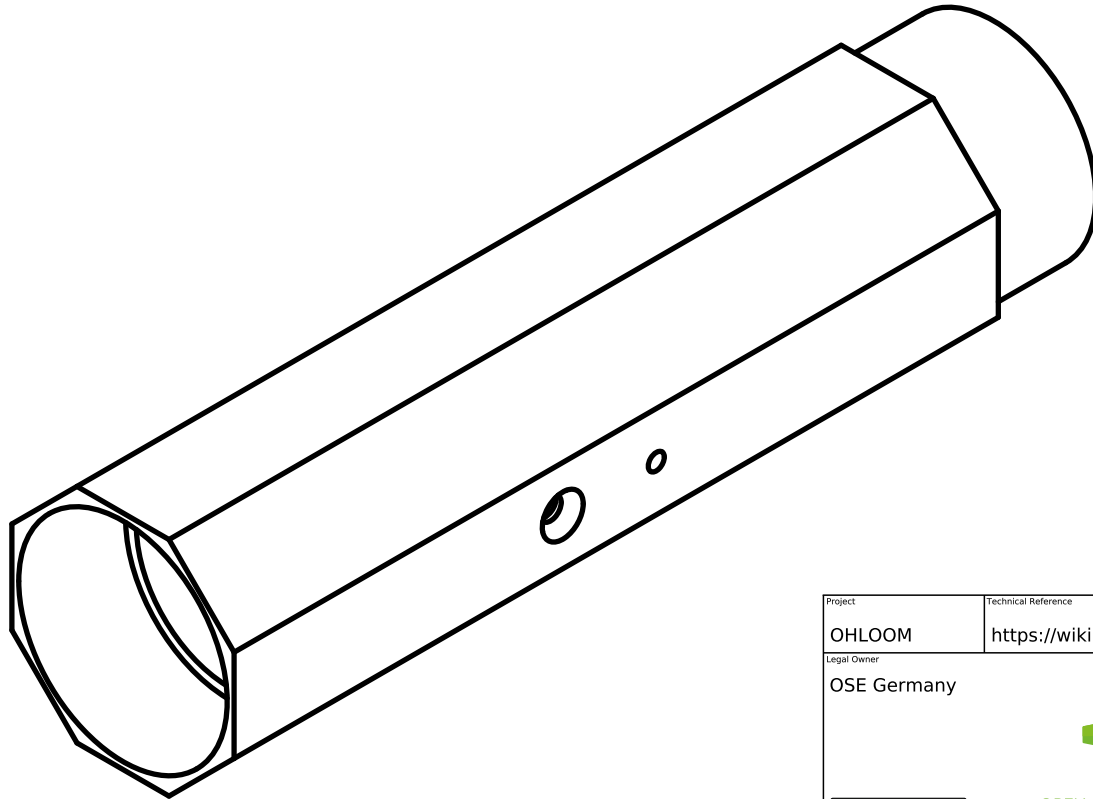
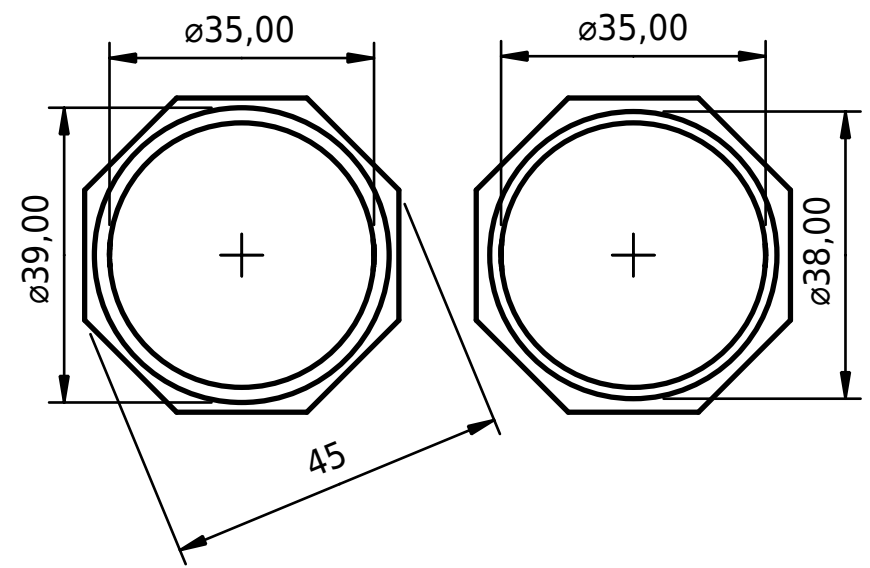
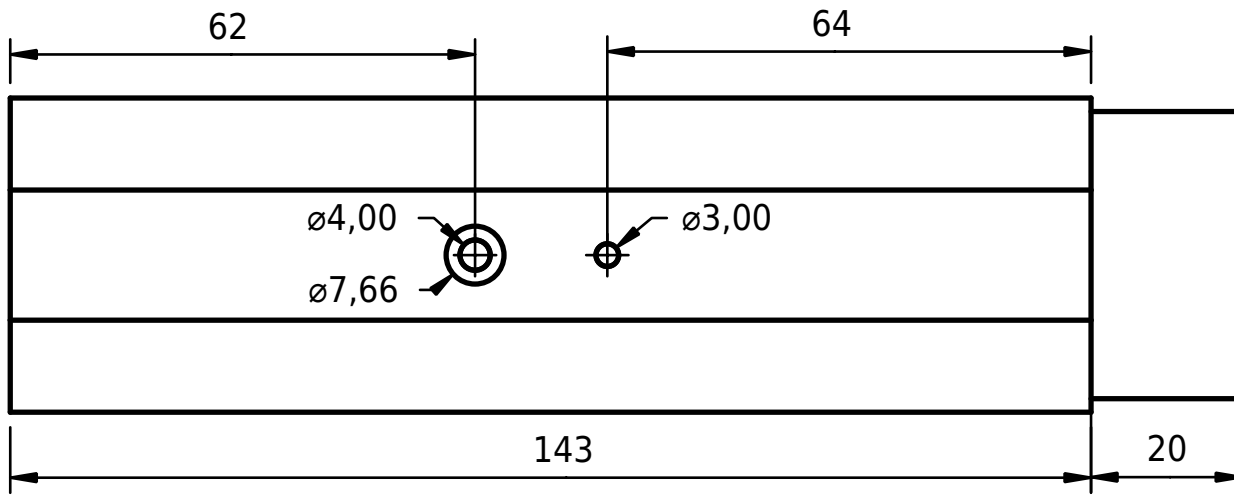
Project	Technical Reference	Created By	Approved By	Classification/Keywords	
OHLOOM	https://wiki.opensourceecology.de/Open_Hardware-Webstuhl_-_OHLOOM	BBScar	Case	OH Textil	
Legal Owner	 OPEN SOURCE ECOLOGY GERMANY	Document Type	Document Status		
OSE Germany		Corpus Frame	Part		
		Title/Supplementary Title	Identification Number		
		Crossbeam Cross-link framepart Holes 3mm Diameter, 8mm Depth CNC Potential	19040102		
		Rev.	Date Of Issue	Scale	Seg./Sn
		1.0	21-04-2019	1:3	2/15





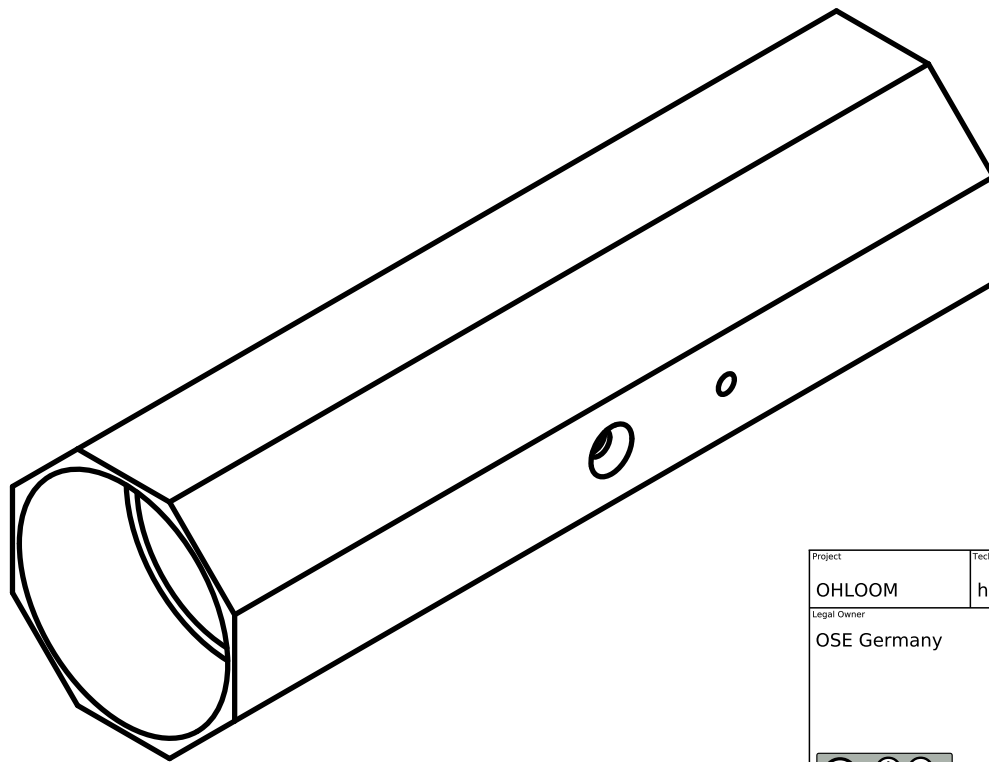
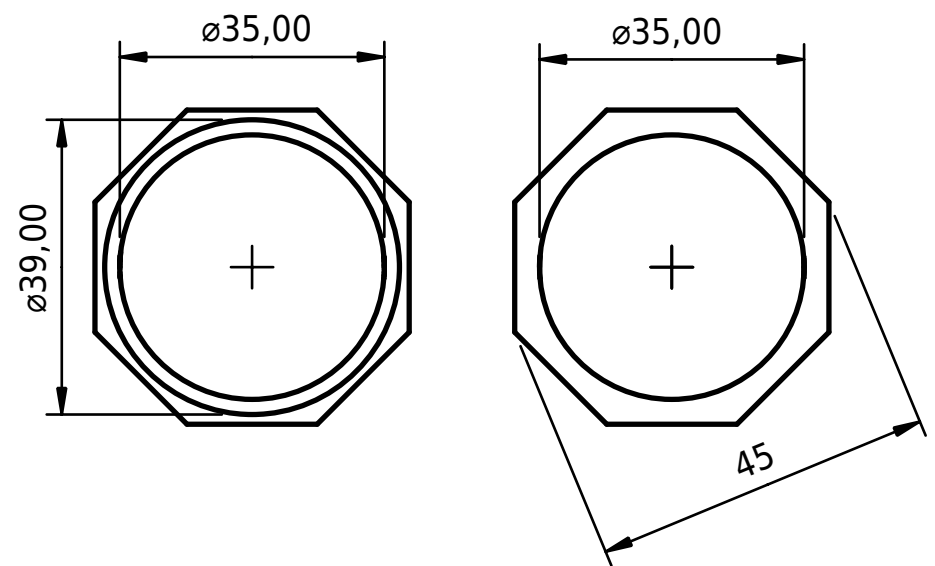
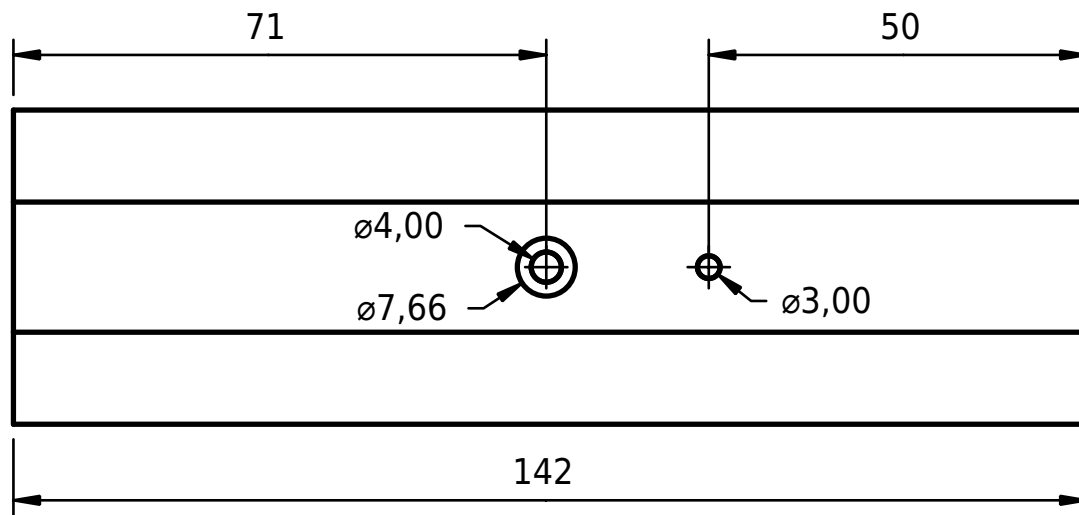
Project	Technical Reference	Created By	Approved By	Classification/Keywords	
OHLOOM	https://wiki.opensourceecology.de/Open_Hardware-Webstuhl_-_OHLOOM	BBScar	Case	OH Textil	
Legal Owner	 OPEN SOURCE ECOLOGY GERMANY	Document Type	Document Status		
OSE Germany		Corpus Frame	Part 1 of 4		
		Title/Supplementary Title	Identification Number		
		Warpclothbeam Warpbeam and Clothbeam 3D Prints Put over a cylindrical wooden shaft with 710 mm Length x 35mm Diameter	19042201	Rev.	Date Of Issue
		1.0	21-04-2019	1:1	2/15





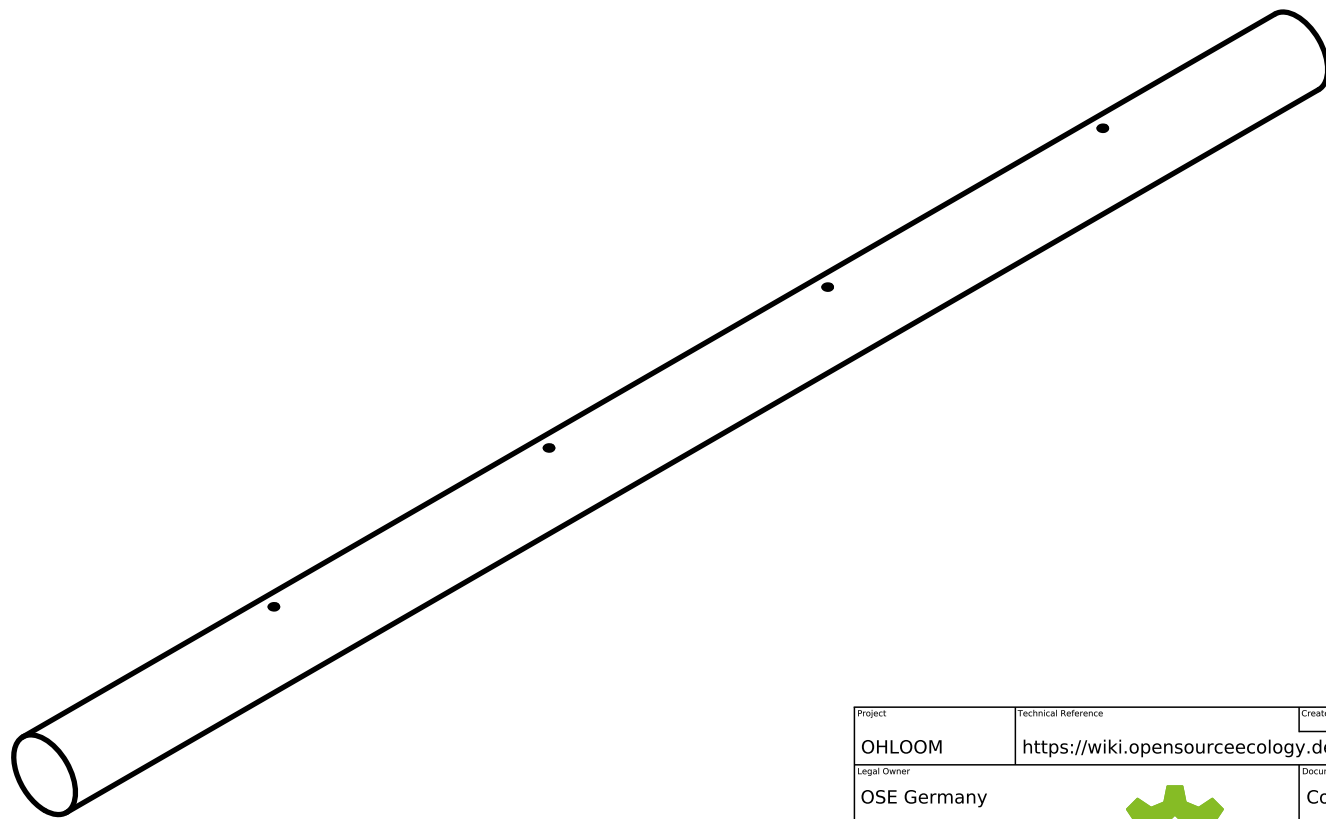
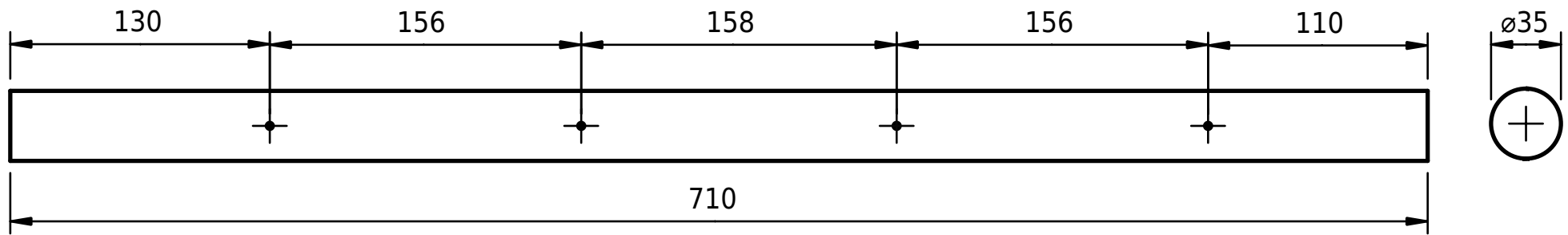
Project	Technical Reference	Created By	Approved By	Classification/Keywords	
OHLOOM	https://wiki.opensourceecology.de/Open_Hardware-Webstuhl_-_OHLOOM	BBSscar	Case	OH Textil	
Legal Owner	 OPEN SOURCE ECOLOGY GERMANY	Document Type	Document Status		
OSE Germany		Corpus Frame	Part 2 of 4		
		Title/Supplementary Title	Identification Number		
		Warpclothbeam Warpbeam and Clothbeam 3D Prints Put over a cylindrical wooden shaft with 710 mm Length x 35mm Diameter	19042202	Rev.	Date Of Issue
		1.0	21-04-2019	1:1	2/15





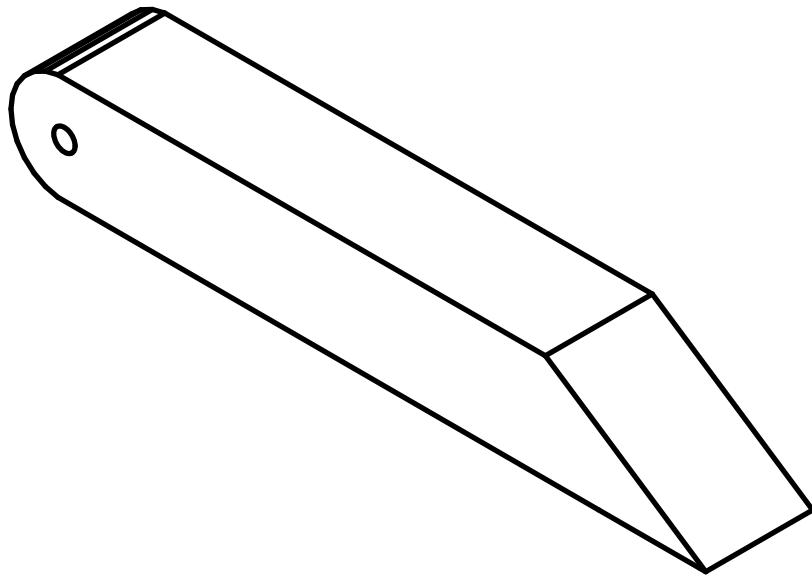
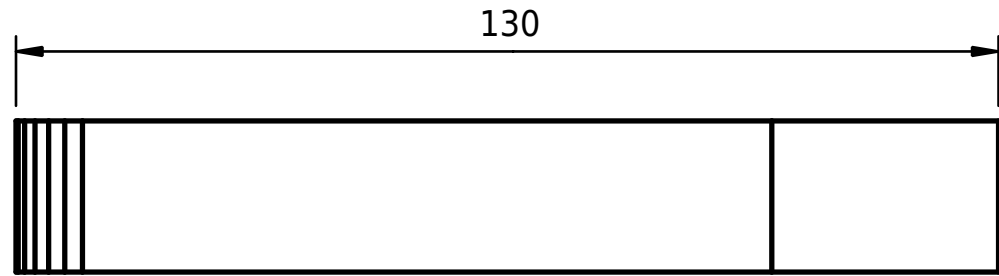
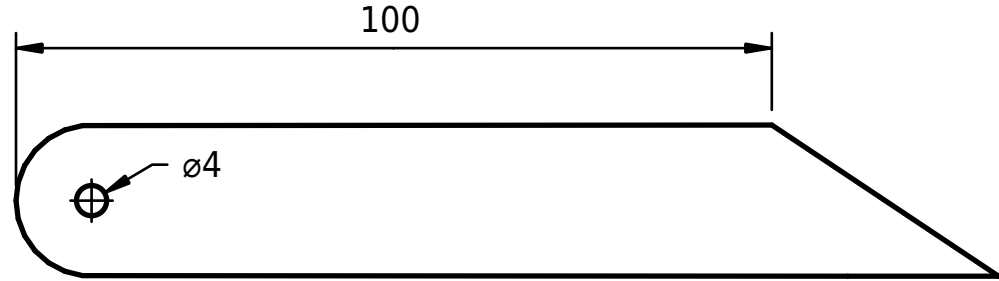
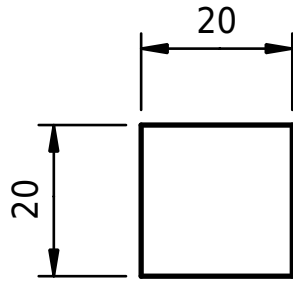
Project	Technical Reference	Created By	Approved By	Classification/Keywords	
OHLOOM	https://wiki.opensourceecology.de/Open_Hardware-Webstuhl_-_OHLOOM	BBSscar	Case	OH Textil	
Legal Owner	 OPEN SOURCE ECOLOGY GERMANY	Document Type	Document Status		
OSE Germany		Corpus Frame	Part 3 of 4		
		Title/Supplementary Title	Identification Number		
		Warpclothbeam Warpbeam and Clothbeam 3D Prints 710 mm Length x 35mm Diameter 710 mm Length x 35mm Diameter	19042203		
		Rev.	Date Of Issue	Scale	Seg./Sn
		1.0	21-04-2019	1:1	2/15




Project	Technical Reference	Created By	Approved By	Classification/Keywords	
OHLOOM	https://wiki.opensourceecology.de/Open_Hardware-Webstuhl_-_OHLOOM	BBSscar	Case	OH Textil	
Legal Owner	 OPEN SOURCE ECOLOGY GERMANY	Document Type	Document Status		
OSE Germany		Corpus Frame	Part 4 of 4		
		Title/Supplementary Title	Identification Number		
		Warpclothbeam Warpbeam and Clothbeam 3D Prints 710 mm Length x 35mm Diameter 710 mm Length x 35mm Diameter	19042204		
		Rev.	Date Of Issue	Scale	Seg./Sn
		1.0	21-04-2019	1:1	2/15

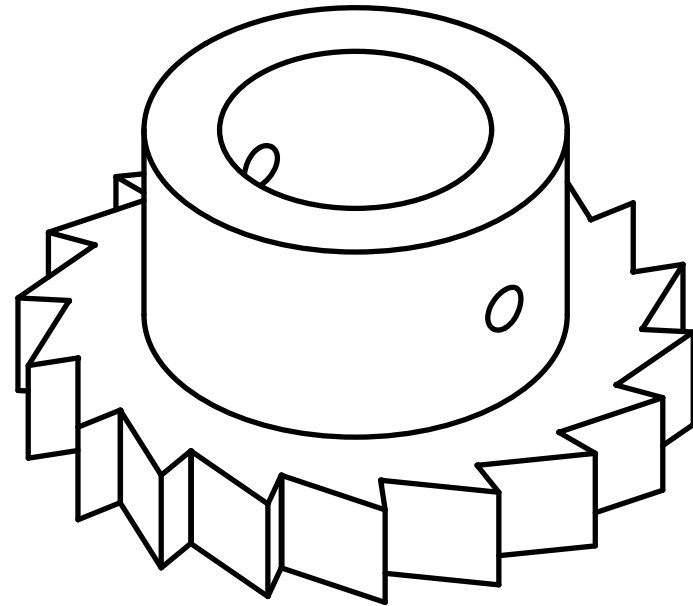
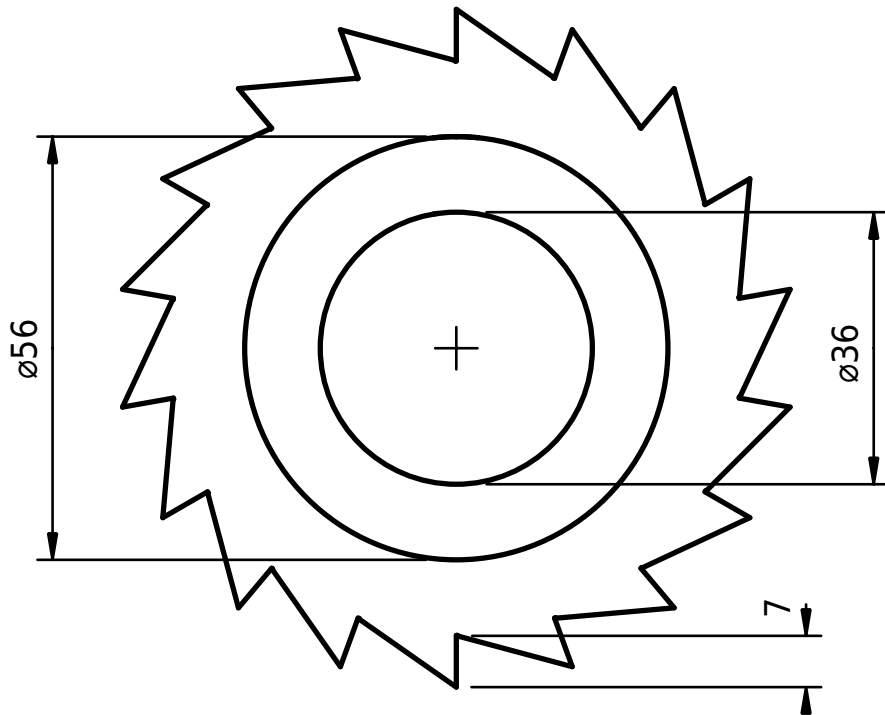
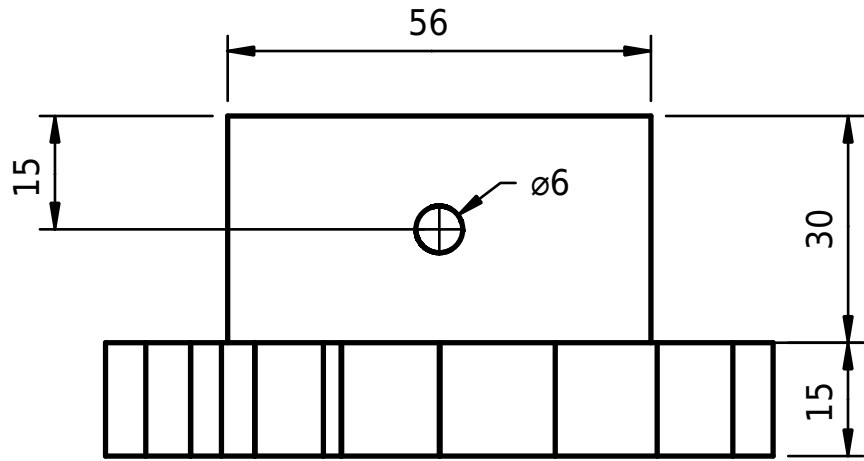




Project	Technical Reference	Created By	Approved By	Classification/Keywords	
OHLOOM	https://wiki.opensourceecology.de/Open_Hardware-Webstuhl_-_OHLOOM	BBScar	Case	OH Textil	
Legal Owner	 OPEN SOURCE ECOLOGY GERMANY	Document Type	Document Status		
OSE Germany		Corpus Frame	Part		
		Title/Supplementary Title	Identification Number		
		Warpclothbeam Wood Cylindrical wooden shaft, not for CNC 19042201,19042202,19042203, 19042204 get pulled over this beam	19042205		
		Rev.	Date Of Issue	Scale	Seg./Sn
		1.0	22-04-2019	1:3	1/15

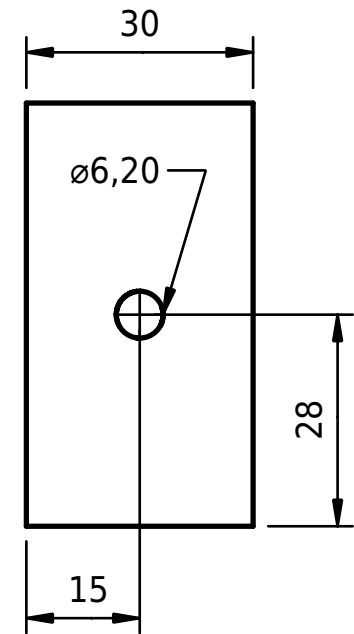
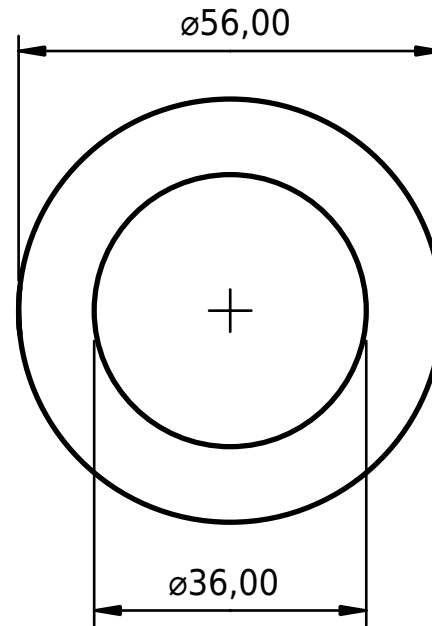
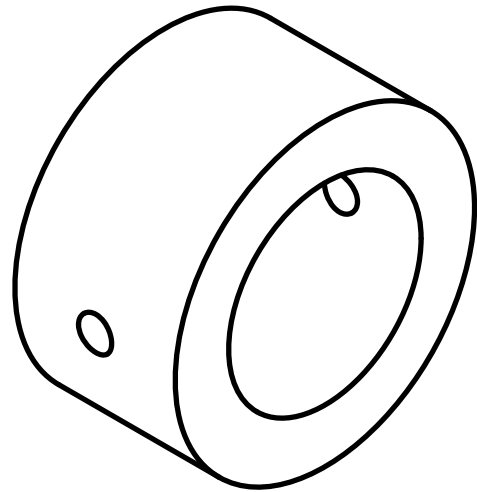




Project	Technical Reference	Created By	Approved By	Classification/Keywords		
OHLOOM	https://wiki.opensourceecology.de/Open_Hardware-Webstuhl_-_OHLOOM	BBSscar	Case	OH Textil		
Legal Owner	 OPEN SOURCE ECOLOGY GERMANY	Document Type	Document Status			
OSE Germany		Corpus Frame	Part			
		Title/Supplementary Title	Identification Number			
		Ratchetpawl Ratchet break / stopper CNC Potential	19040104			
			Rev.	Date Of Issue	Scale	Seg./Sn
			1.0	22-04-2019	1:1	2/15

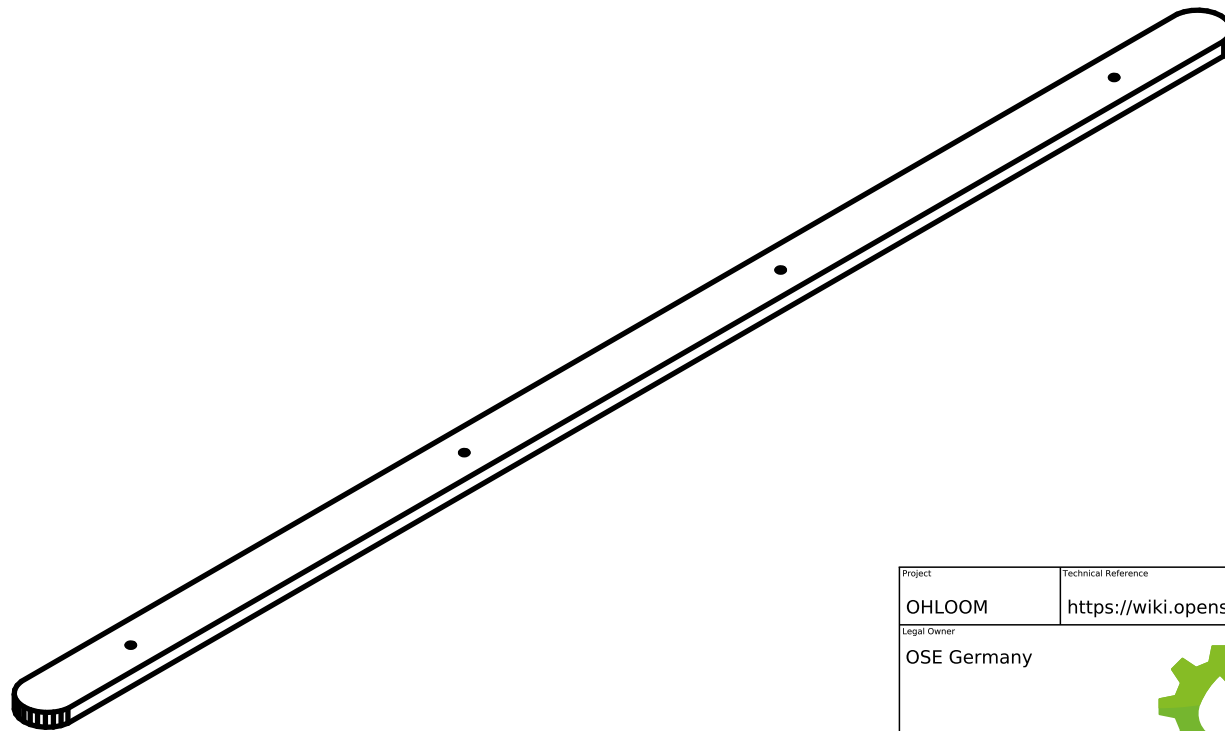
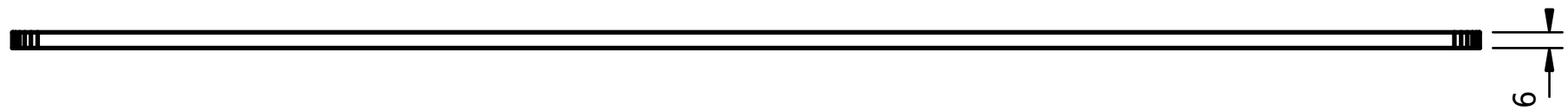
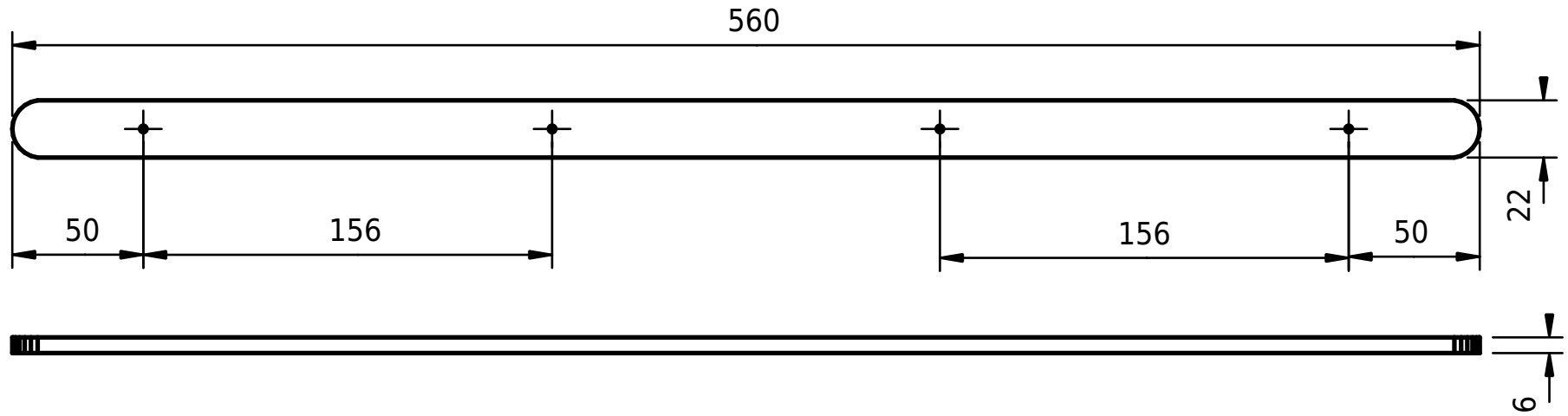






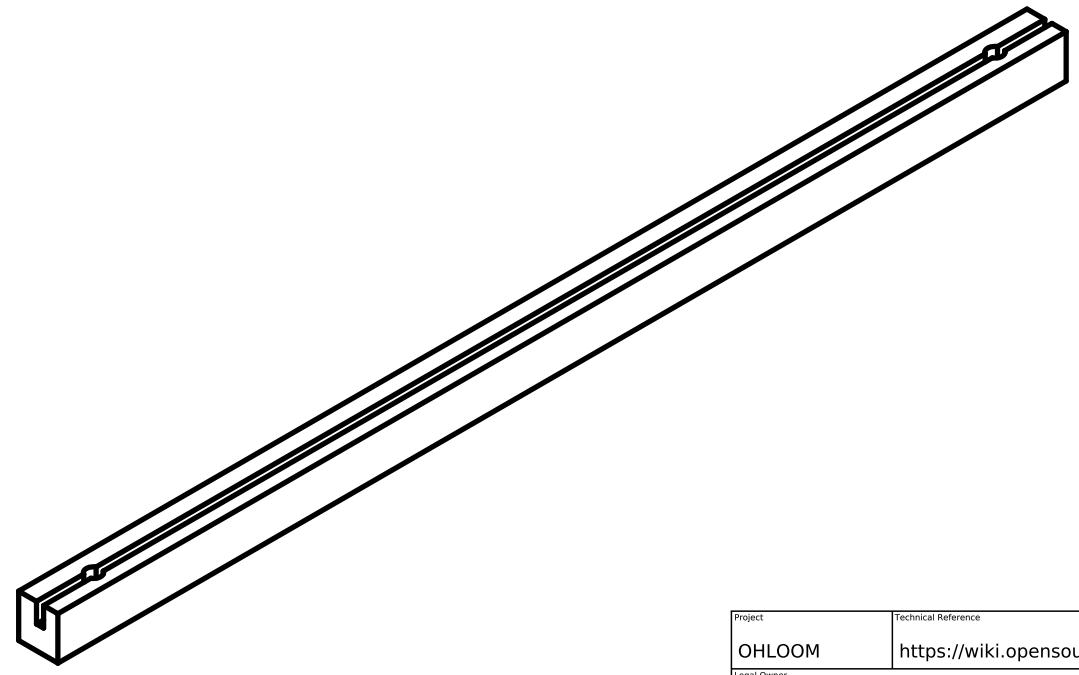
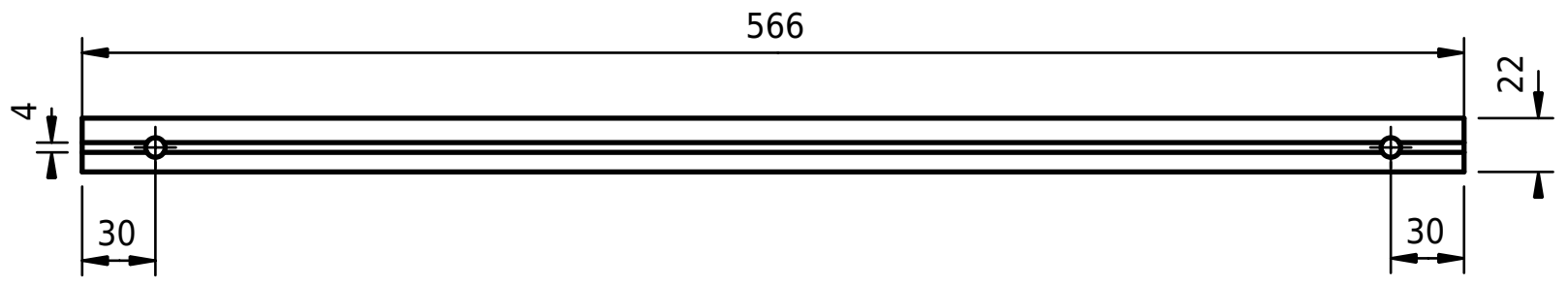
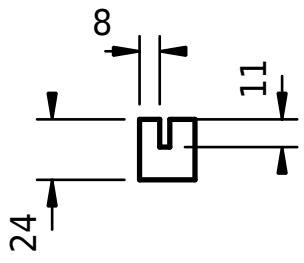
Project	Technical Reference	Created By	Approved By	Classification/Keywords
OHLOOM	https://wiki.opensourceecology.de/Open_Hardware-Webstuhl_-_OHLOOM	BBScar	Case	OH Textil
Legal Owner	 OPEN SOURCE ECOLOGY GERMANY	Document Type	Document Status	
OSE Germany		Corpus Frame	Part	
		Title/Supplementary Title	Identification Number	
		Ratchet wheel 3D Print	19040109	
Rev.	Date Of Issue	Scale	Seg./Sn	
1.0	21-04-2019	1:1	2/15	



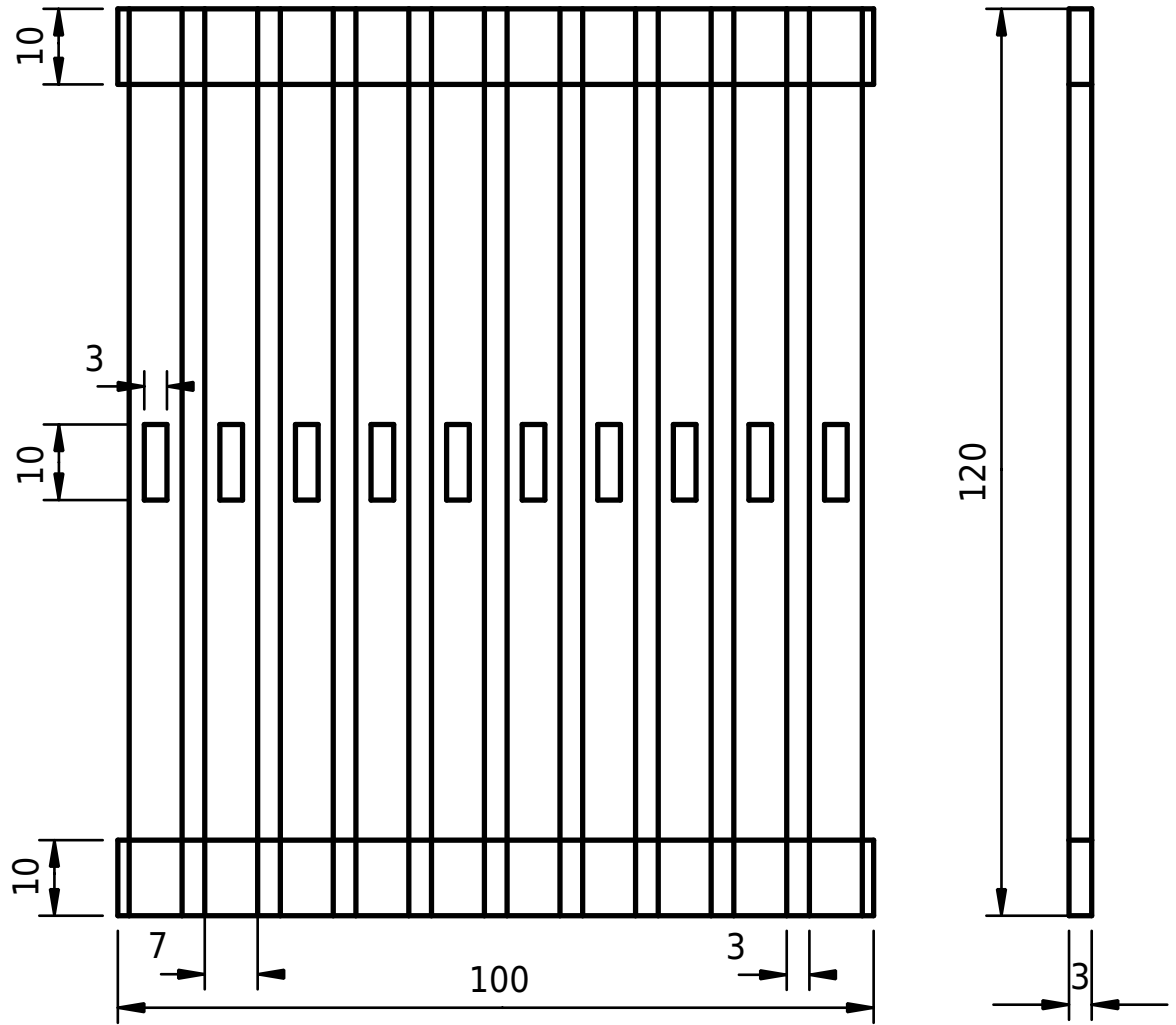
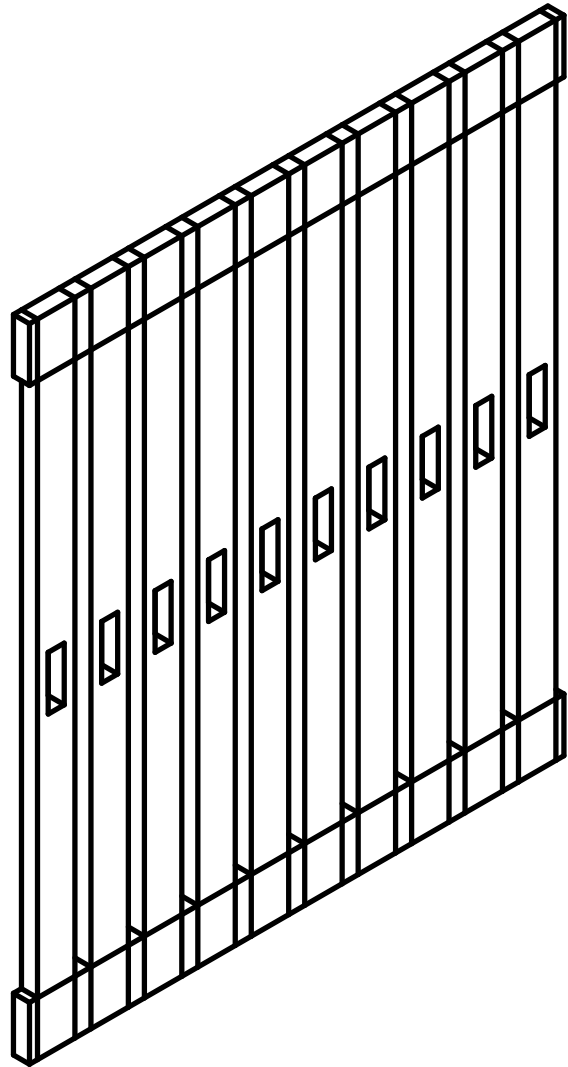
Project	Technical Reference	Created By	Approved By	Classification/Keywords	
OHLOOM	https://wiki.opensourceecology.de/Open_Hardware-Webstuhl_-_OHLOOM	BBSscar	Case	OH Textil	
Legal Owner	 OPEN SOURCE ECOLOGY GERMANY	Document Type	Document Status		
OSE Germany		Corpus Frame	Part		
		Title/Supplementary Title	Identification Number		
		Clampring Ratchet clampring 3D Print	19040112		
		Rev.	Date Of Issue	Scale	Seg./Sn
		1.0	21-04-2019	1:1	2/15





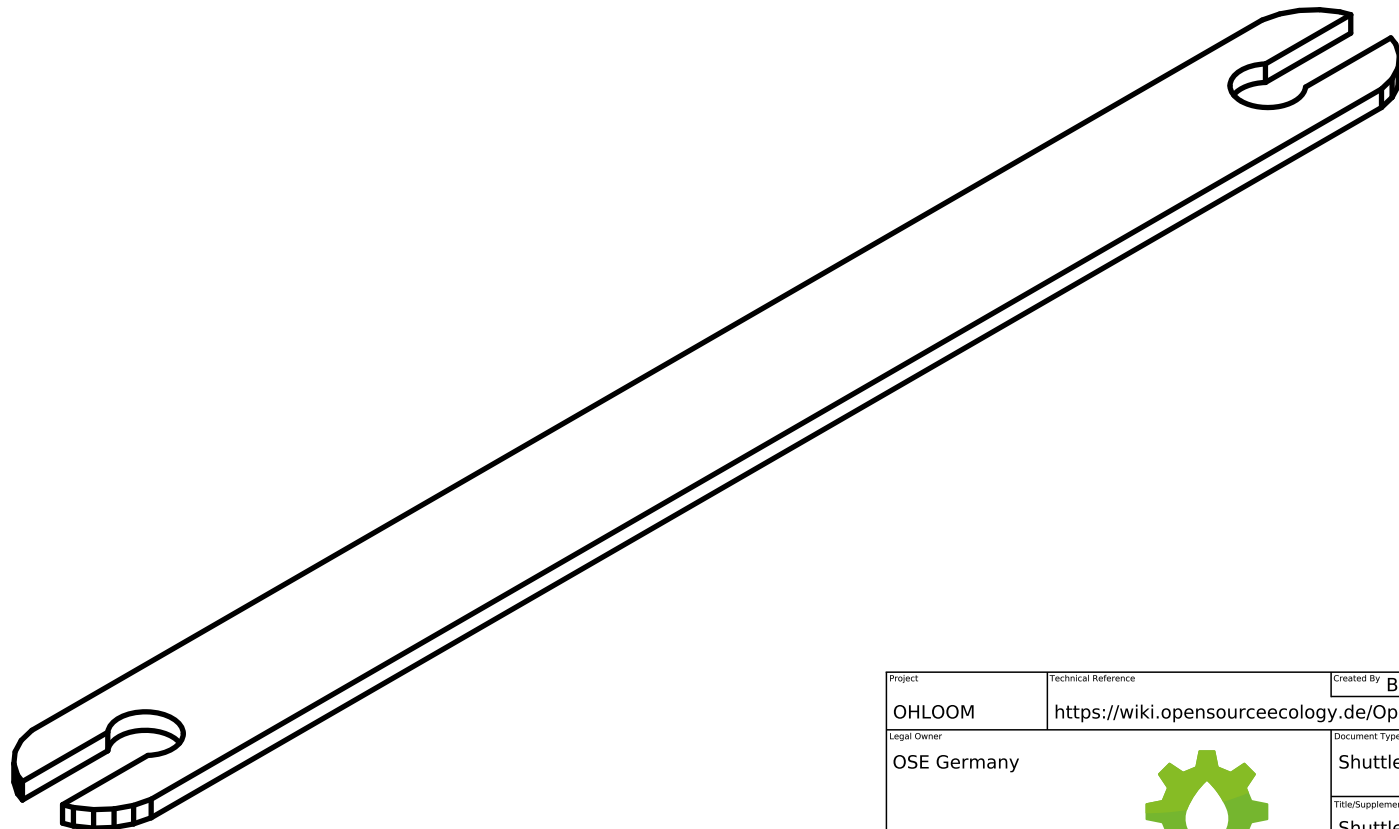
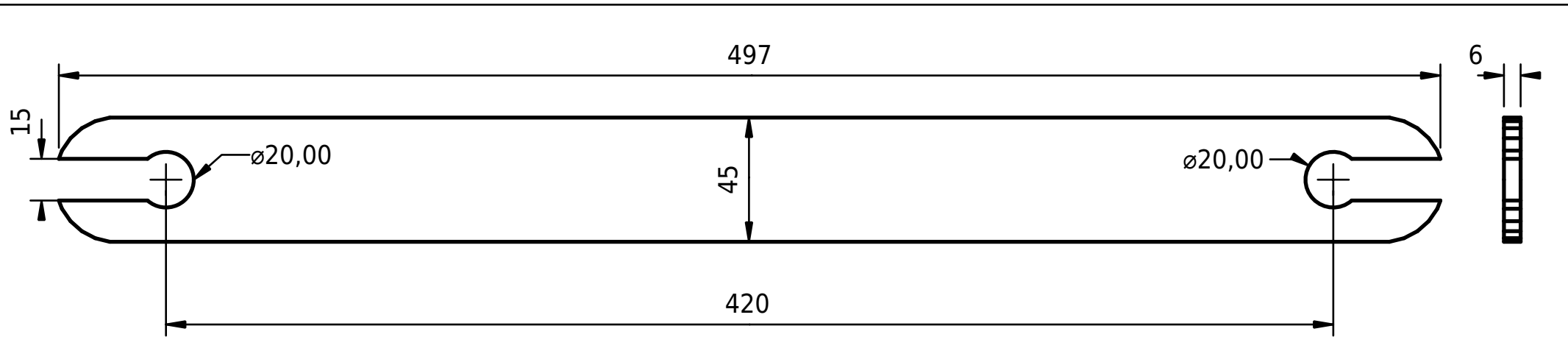
Project	Technical Reference	Created By	Approved By	Classification/Keywords
OHLOOM	https://wiki.opensourceecology.de/Open_Hardware-Webstuhl_-_OHLOOM	BBSscar	Case	OH Textil
Legal Owner	 OPEN SOURCE ECOLOGY GERMANY	Document Type	Document Status	
OSE Germany		Corpus Frame	Part	
		Title/Supplementary Title	Identification Number	
		Stringstick Stick for connecting the heddle strings Holes 3mm diameter CNC Potential	19040113	
Rev.	Date Of Issue	Scale	Seg./Sn	
1.0	21-04-2019	2:5	1/15	





Project	Technical Reference	Created By	Approved By	Classification/Keywords	
OHLOOM	https://wiki.opensourceecology.de/Open_Hardware-Webstuhl_-_OHLOOM	BBSscar	Case	OH Textil	
Legal Owner	 OPEN SOURCE ECOLOGY GERMANY	Document Type	Document Status		
OSE Germany		Weaving Comb	Part		
		Title/Supplementary Title	Identification Number		
		Slotbeam Upper and lower framepart Holes 8mm Diameter CNC Potential	19040107		
		Rev.	Date Of Issue	Scale	Seg./Sn
		1.0	21-04-2019	1:3	2/7



Project	Technical Reference	Created By	Approved By	Classification/Keywords
OHLOOM	https://wiki.opensourceecology.de/Open_Hardware-Webstuhl_-_OHLOOM	BBSscar	Case	OH Textil
Legal Owner	 OPEN SOURCE ECOLOGY GERMANY	Document Type	Document Status	
OSE Germany		Weaving Comb	Part	
		Title/Supplementary Title	Identification Number	
		Combmodul Modul for building the comb 3D Print	19040110	
Rev.	Date Of Issue	Scale	Seg./Sn	
1.0	22-04-2019	1:1	5/7	



Project	Technical Reference	Created By	Approved By	Classification/Keywords
OHLOOM	https://wiki.opensourceecology.de/Open_Hardware-Webstuhl_-_OHLOOM	BBScar	Case	OH Textil
Legal Owner	 OPEN SOURCE ECOLOGY GERMANY	Document Type	Document Status	
OSE Germany		Shuttle	Total	
		Title/Supplementary Title	Identification Number	
		Shuttle for weaving CNC Potential	19040114	
Rev.	Date of Issue	Scale	Seg./Sn	
1.0	21-04-2019	1:2	1/1	