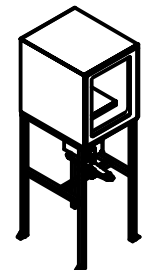
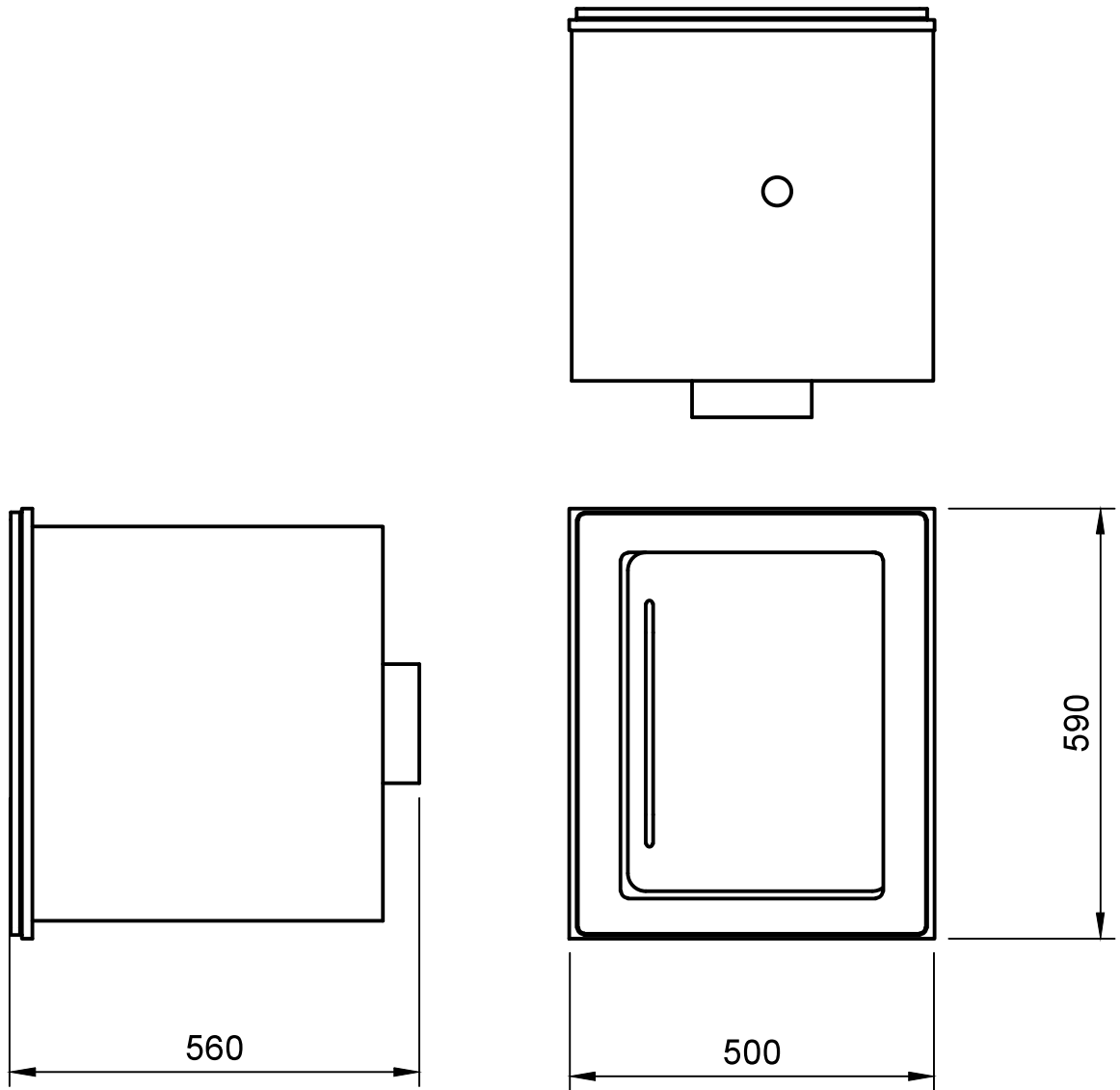
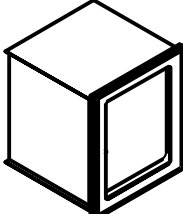
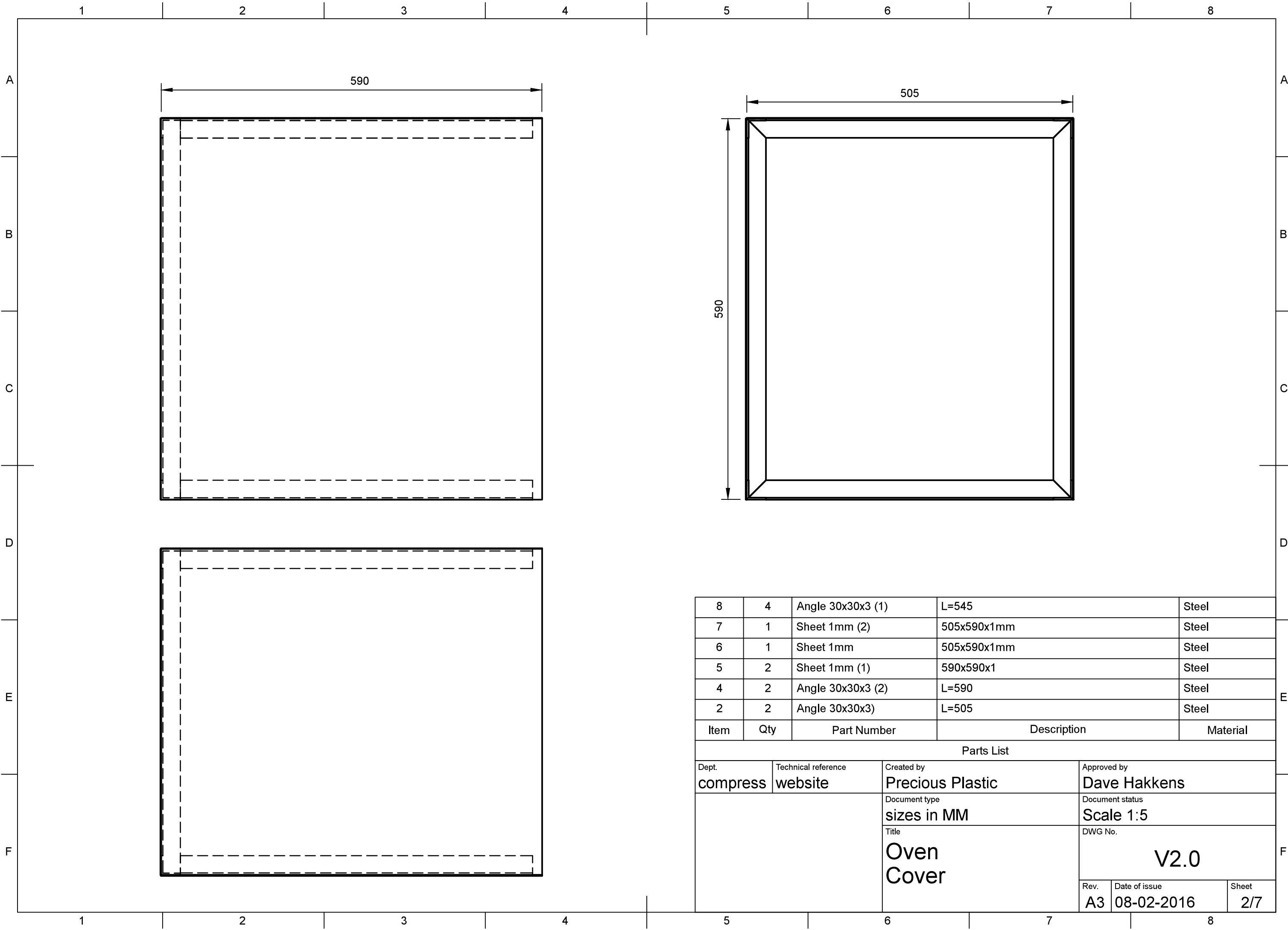


Dept. Compres	Technical reference website	Created by Precious Plastic	Approved by Dave Hakkens
		Document type sizes in MM	Document status scale 1:16
		Title Overview	DWG No. V2.0
Rev. A3	Date of issue 28-02-2016	Sheet 0/7	

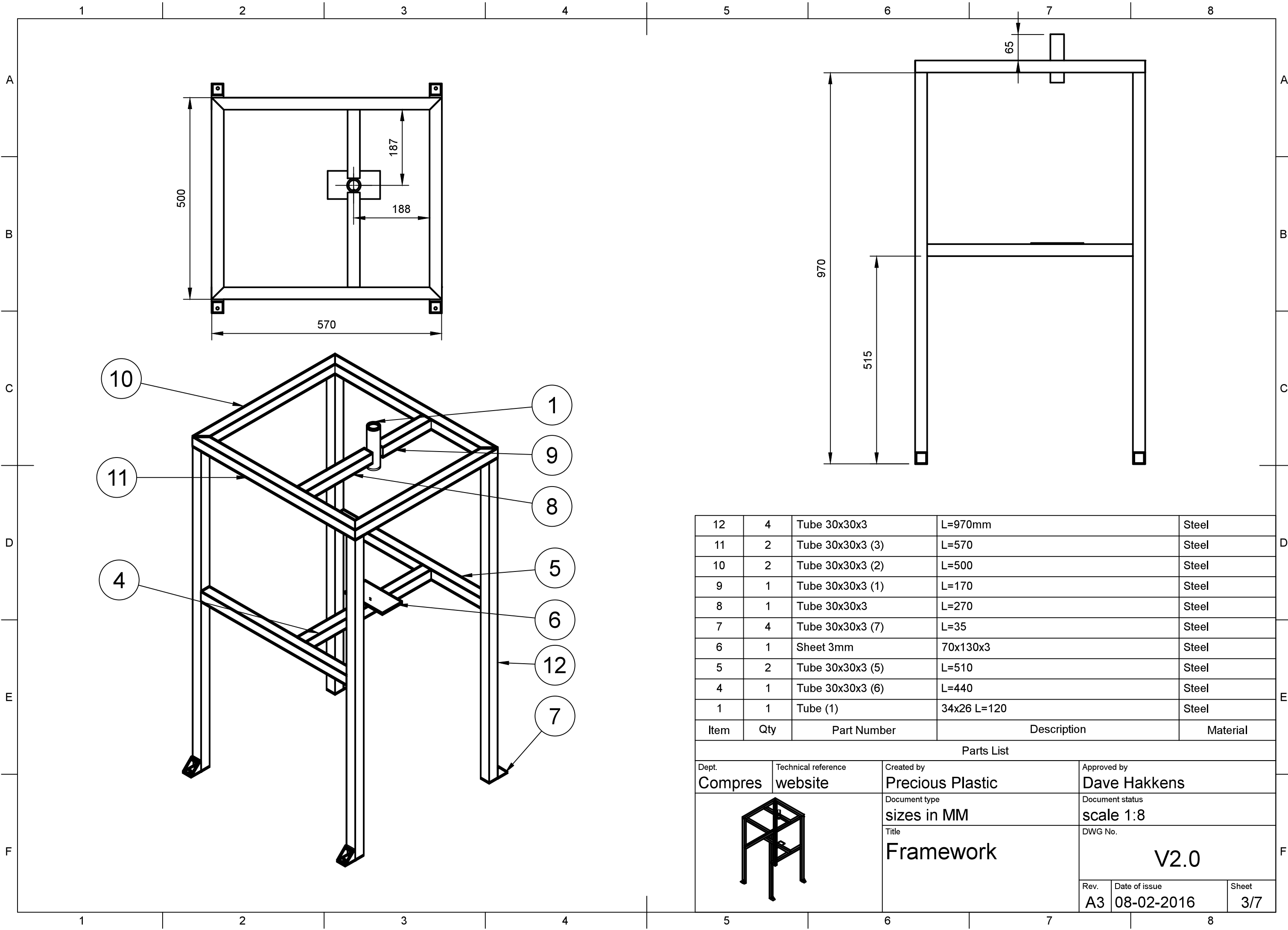


Every oven is slightly different in size.
make sure to use this drawing as a reference

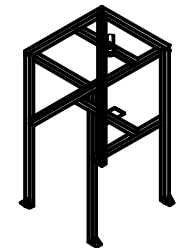
Dept. Compres	Technical reference website	Created by Precious Plastic	Approved by Dave Hakkens
	Document type sizes in MM	Document status scale 1:10	DWG No.
	Title Oven reference model	V2.0	
	Rev. A4	Date of issue 28-02-2016	Sheet 1/7

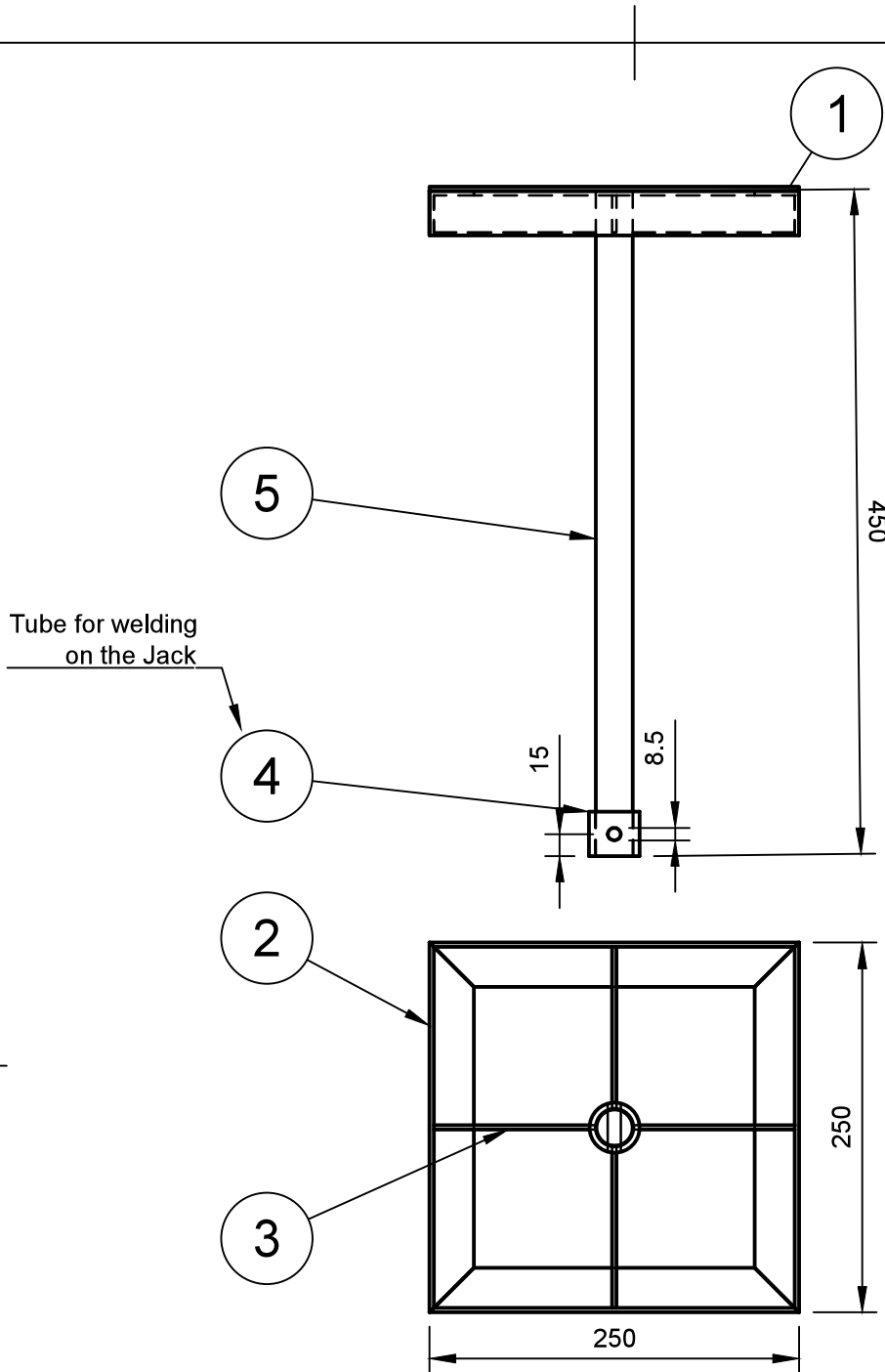


8	4	Angle 30x30x3 (1)	L=545	Steel
7	1	Sheet 1mm (2)	505x590x1mm	Steel
6	1	Sheet 1mm	505x590x1mm	Steel
5	2	Sheet 1mm (1)	590x590x1	Steel
4	2	Angle 30x30x3 (2)	L=590	Steel
2	2	Angle 30x30x3)	L=505	Steel
Item	Qty	Part Number	Description	Material
Parts List				
Dept. compress	Technical reference website	Created by Precious Plastic	Approved by Dave Hakkens	
		Document type sizes in MM	Document status Scale 1:5	
		Title Oven Cover	DWG No. V2.0	
	Rev. A3	Date of issue 08-02-2016	Sheet 2/7	



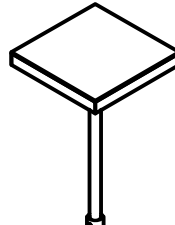
12	4	Tube 30x30x3	L=970mm	Steel
11	2	Tube 30x30x3 (3)	L=570	Steel
10	2	Tube 30x30x3 (2)	L=500	Steel
9	1	Tube 30x30x3 (1)	L=170	Steel
8	1	Tube 30x30x3	L=270	Steel
7	4	Tube 30x30x3 (7)	L=35	Steel
6	1	Sheet 3mm	70x130x3	Steel
5	2	Tube 30x30x3 (5)	L=510	Steel
4	1	Tube 30x30x3 (6)	L=440	Steel
1	1	Tube (1)	34x26 L=120	Steel
Item	Qty	Part Number	Description	Material

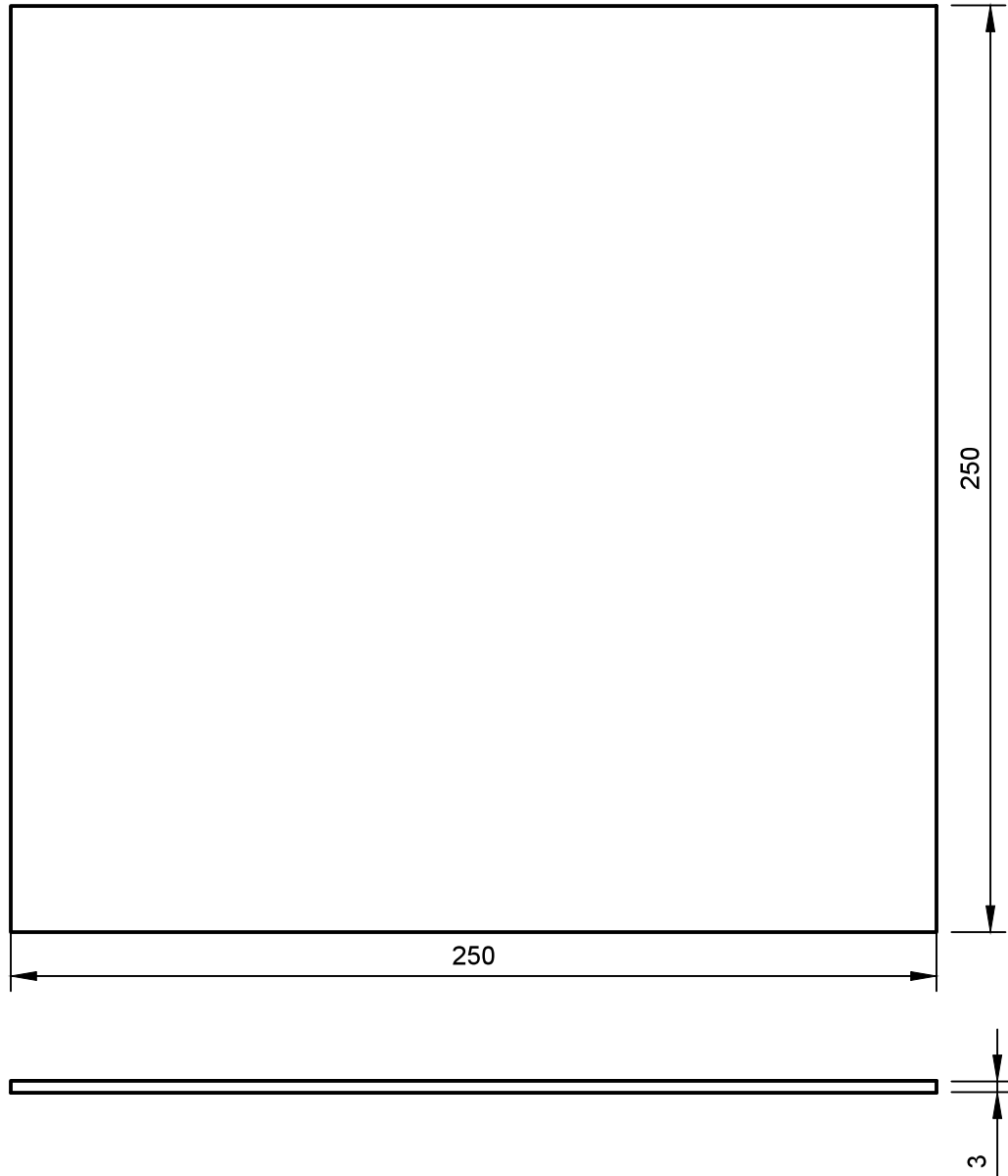
Parts List			
Dept. Compres	Technical reference website	Created by Precious Plastic	Approved by Dave Hakkens
		Document type sizes in MM	Document status scale 1:8
		Title Framework	DWG No. V2.0
Rev. A3	Date of issue 08-02-2016	Sheet 3/7	



5	1	Rod 25	L=450	Steel
4	1	Tube 34x4	L=30	Steel
3	4	Flat 30x4	L=109	Steel
2	4	Angle 30x30x3	L=250	Steel
1	1	Sheet	250x250x3	Steel
Item	Qty	Part Number	Description	Material

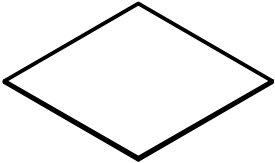
Parts List

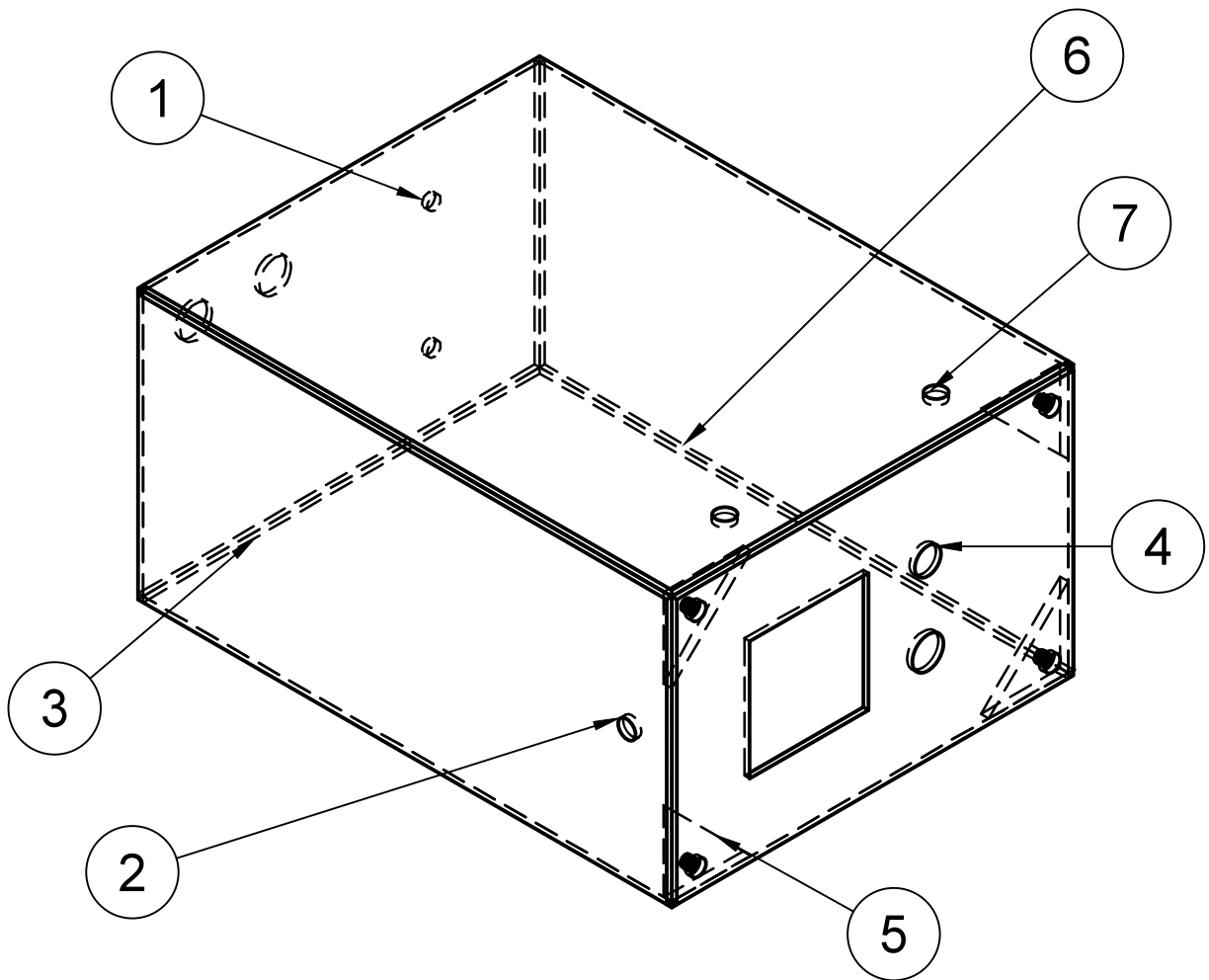
Dept. Compres	Technical reference website	Created by Precious Plastic	Approved by Dave Hakkens
	Document type sizes in MM		Document status scale 1:5
	Title Press table		DWG No. V2.0
	Rev. A4	Date of issue 08-02-2016	Sheet 4/7



1	1	Sheet 3mm (2)	250x250x3	Steel
Item	Qty	Part Number	Description	Material

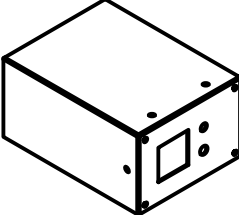
Parts List

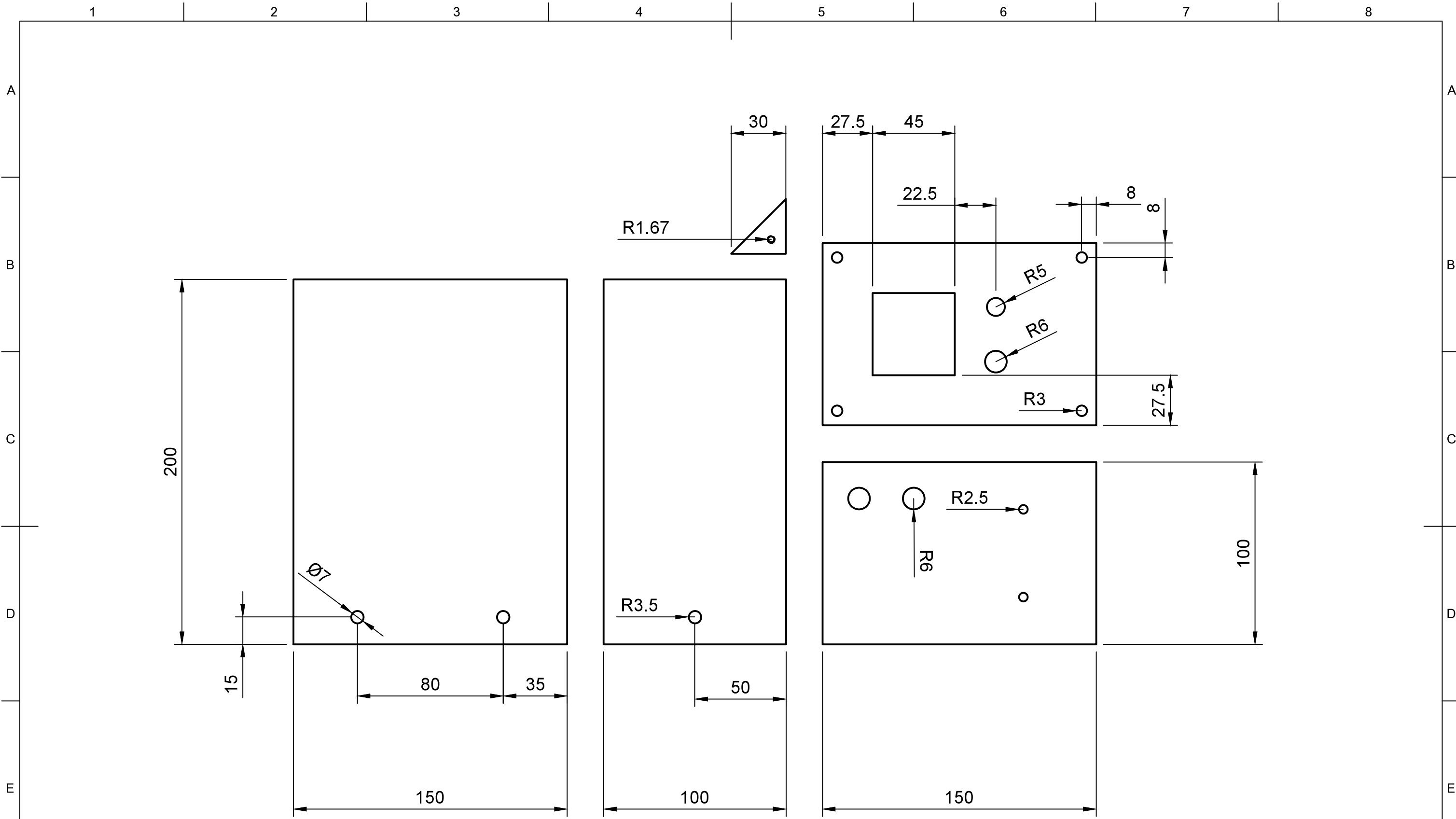
Dept. Compres	Technical reference website	Created by Precious Plastic	Approved by Dave Hakkens
	Document type sizes in MM	Document status scale 1:2	
	Title Press top	DWG No. V2.0	
	Rev. A4	Date of issue 08-02-2016	Sheet 5/7



7	1	Top	150x200	Steel
6	1	Side	100x200	Steel
5	4	Bracket	Flat 30x3 -45'	Steel
4	1	Cover (1)	150x100	Steel
3	1	Bottom	150x200	Steel
2	1	Side (2)	100x200	Steel
1	1	Rear	150x100	Steel
Item	Qty	Part Number	Description	Material

Parts List

Dept. Compres	Technical reference website	Created by Precious Plastic	Approved by Dave Hakkens
	Document type sizes in mm	Document status scale 1:2	DWG No.
	Title Electronics box	V2.0	
	Rev. A4	Date of issue 08-02-2016	Sheet 6/7



Dept. Compres	Technical reference website	Created by Precious Plastic	Approved by Dave Hakkens
		Document type sizes in MM	Document status scale 1:2
		Title Electronics sheets	DWG No. V2.0
Rev. A3	Date of issue 08-02-2016	Sheet 7/7	

