
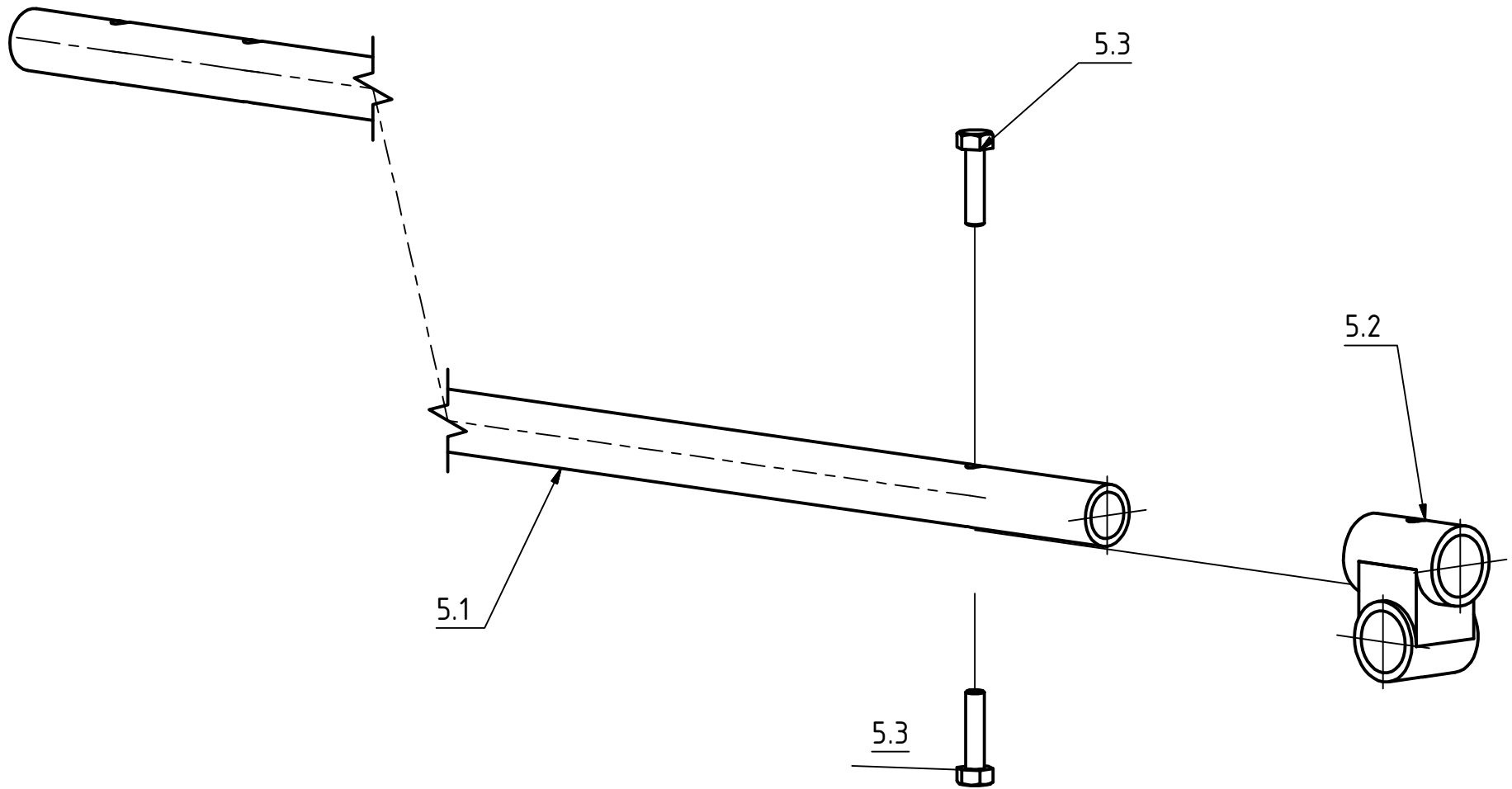



Note: All units in mm.

PROJECT	CREATED BY	APPROVED BY	DATE	VERSION
Vertical Axis Sail Windmill	D. Mosquera	A. Morillo	12/07/2021	1.0
PART NAME	FILE NAME			POS
Rotor arm	oho_vsw_rotor-arm.iam			5.0
DEVELOPED BY	REDESIGNED BY	DOC. TYPE	MATERIAL	QUANTITY
	 OPEN SOURCE ECOLOGY GERMANY	Assembly		8
Low Energy Systems		OSEG	LICENCE	SCALE
		CC-BY-SA 4.0	1:4	18 /27



PROJECT	CREATED BY	APPROVED BY	DATE	VERSION
Vertical Axis Sail Windmill	D. Mosquera	A. Morillo	12/07/2021	1.0
PART NAME	FILE NAME			POS
Rotor arm	oho_vsw_rotor-arm.ipn			5.0
DEVELOPED BY	REDESIGNED BY	DOC. TYPE	MATERIAL	QUANTITY
	 OPEN SOURCE ECOLOGY GERMANY	Assembly		8
Low Energy Systems		OSEG	LICENCE	SCALE
		CC-BY-SA 4.0	1:4	19 /27