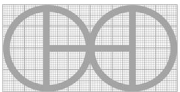
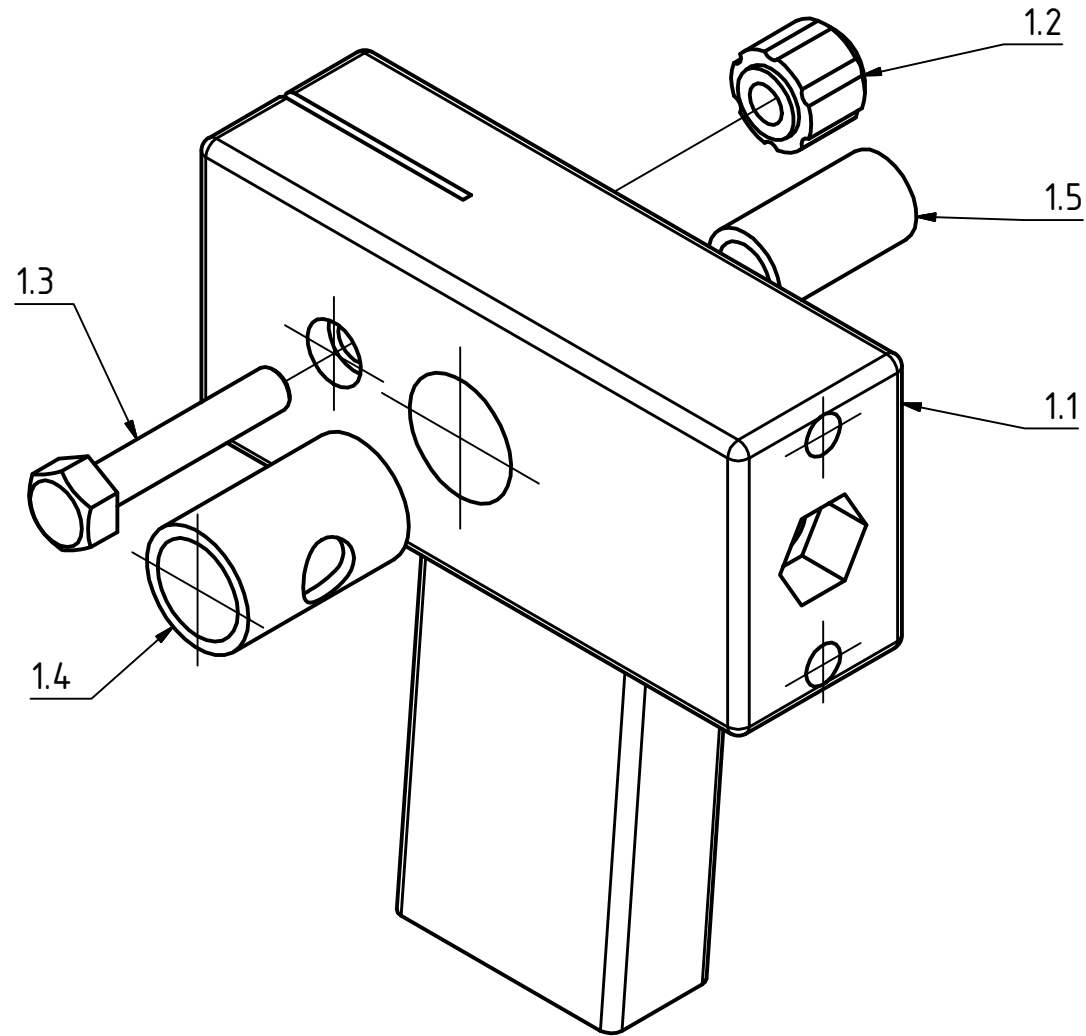



Note: All units in mm.

PROJECT	CREATED BY	APPROVED BY	DATE	VERSION
Welding gun multifuntional & diy	D. MOSQUERA	A. MORILLO	01/08/2021	1.0
PART NAME	FILE NAME			POS
Handle welding	oho_wg_Handle.iam			1.0
PUBLISHED BY	DOC. TYPE	MATERIAL		QUANTITY
 OPEN HARDWARE OBSERVATORY Free Blueprints for Sustainable Development	Assembly			1
	LICENCE	SCALE		SHEET
OHO e.V.	CC-BY-SA 4.0	1:1		5 /22



Note: All units in mm.

PROJECT	CREATED BY	APPROVED BY	DATE	VERSION
Welding gun multifuntional & diy	D. MOSQUERA	A. MORILLO	01/08/2021	1.0
PART NAME	FILE NAME			POS
Handle Welding	oho_wg_Handle.ipn			1.0
PUBLISHED BY	DOC. TYPE	MATERIAL		QUANTITY
 OPEN HARDWARE OBSERVATORY Free Blueprints for Sustainable Development OHO e.V.	Assembly			1
	LICENCE	SCALE		SHEET
	CC-BY-SA 4.0	1:1		6 /22