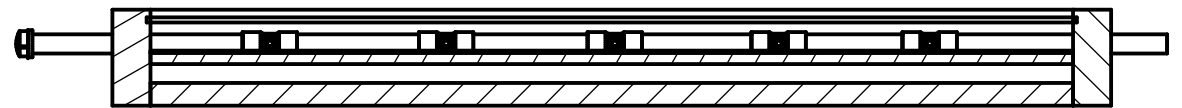
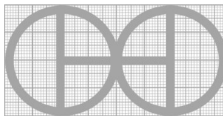
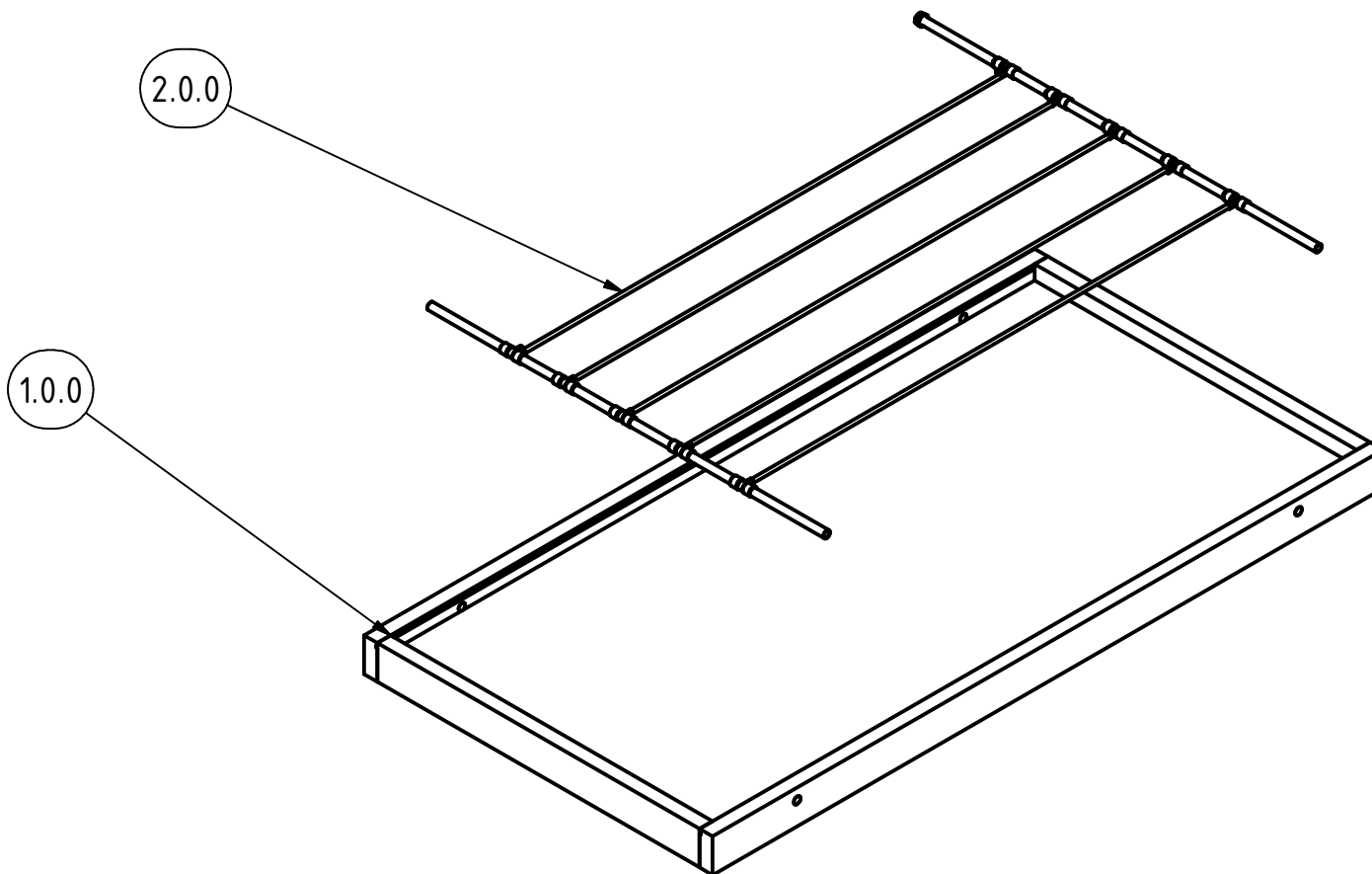
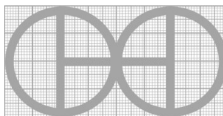


E-E ( 1 : 10 )



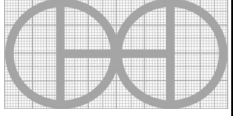
PROJECT		CREATED BY	APPROVED BY	DATE	VERSION
SANTA CRUZ SOLAR COLECTOR		D. RODRIGUEZ	A. MORILLO	24-10-21	1.0
PART NAME		FILE NAME			PART CODE
		SOLAR COLECTOR.IDW			A1
DEVELOPED BY	REDESIGNED BY	SUPPORTED BY	DOC. TYPE	MATERIAL	QUANTITY
NATIONAL CENTER FOR APPROPRIATE TECHNOLOGY	 OHO e.V.		ASSEMBLY		1
			LICENCE	SCALE	SHEET
			CC-BY-SA 4.0	1:25	1 / 15



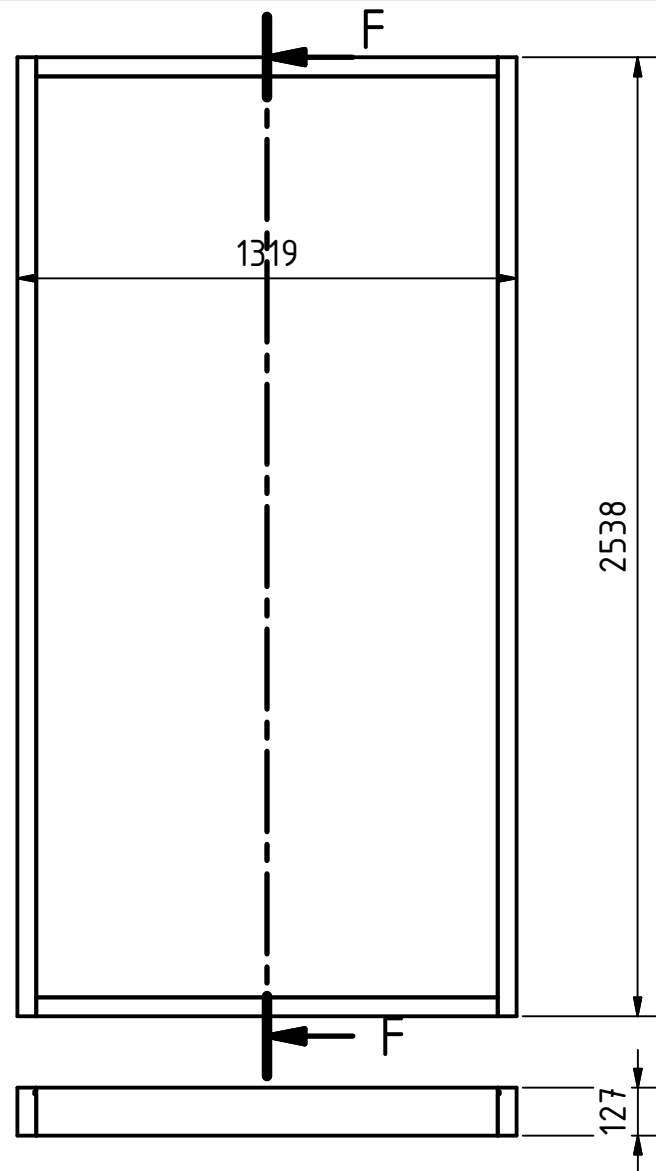
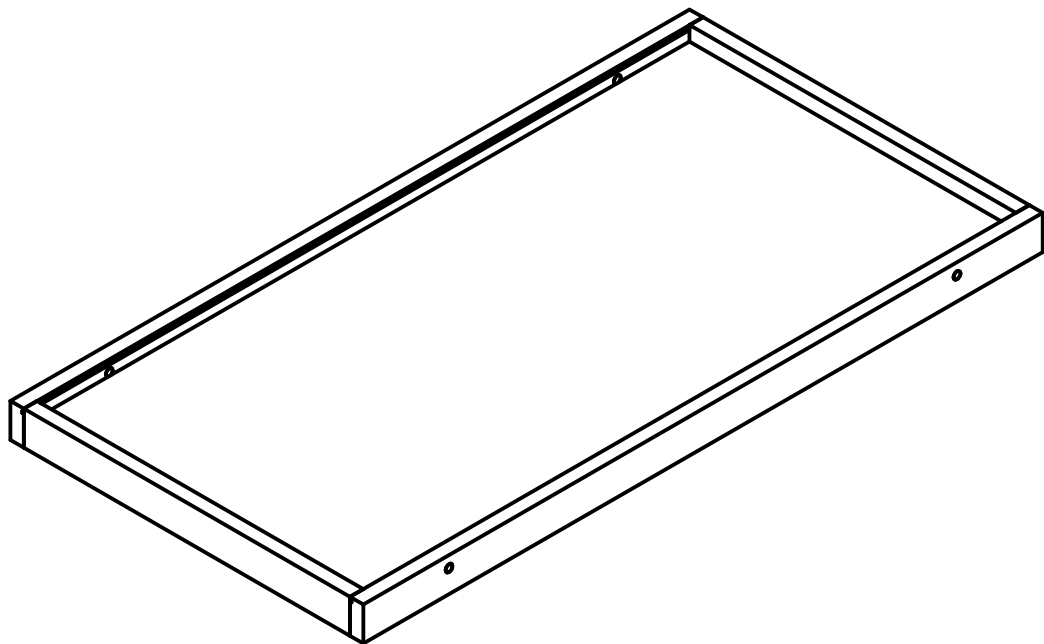
PROJECT		CREATED BY	APPROVED BY	DATE	VERSION
SANTA CRUZ SOLAR COLECTOR		D. RODRIGUEZ	A. MORILLO	24-10-21	1.0
PART NAME		FILE NAME			PART CODE
		SOLAR COLECTOR.IDW			A2
DEVELOPED BY	REDESIGNED BY	SUPPORTED BY	DOC. TYPE	MATERIAL	QUANTITY
			ASSEMBLY		1
NATIONAL CENTER FOR APPROPRIATE TECHNOLOGY	OHO e.V.		LICENCE	SCALE	SHEET
			CC-BY-SA 4.0	1:20	2 / 15

**PART LIST**

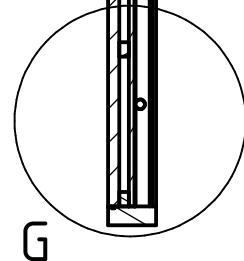
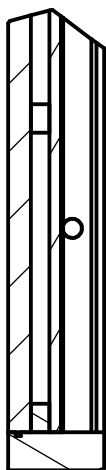
POS	POS.OLD	QTY	PART NAME	FILE NAME	PART TYPE	SPECIFICATIONS	SHEET
A		1	SOLAR COLECTOR	SOLAR COLECTOR.IDW			1
B			PART LIST				2
1.0.0		1	BOX	SOLAR COLECTOR.IDW			3
1.1.0		1	WOOD SHEET	SOLAR COLECTOR.IDW	Production	KILN DRIED WOOD 100*200mm	4
1.2.0		1	BOX EDGES	SOLAR COLECTOR.IDW	Production		
1.2.1		2	EDGES1	SOLAR COLECTOR.IDW	Production	KILN DRIED WOOD 2538mm	5
1.2.2		2	EDGES2	SOLAR COLECTOR.IDW	Production	KILN DRIED WOOD 1119mm	6
1.3.0		5	REINFORCEMENT	SOLAR COLECTOR.IDW	Production	KILN DRIED WOOD 127*50mm	7
1.4.0		1	INSULATING	SOLAR COLECTOR.IDW	Production	FOAM OR WOOL FIBER 15mm	8
1.5.0		1	IRON LAMINATE	SOLAR COLECTOR.IDW	Production	GAVANIZED STEEL SHEET 3mm	9
1.6.0		1	GLASS	SOLAR COLECTOR.IDW	Buy	GLASS 5mm	10
2.0.0		1	PIPING SYSTEM	SOLAR COLECTOR.IDW	Production		11
2.1.0		2	TUBES 1	SOLAR COLECTOR.IDW	Production	COPPER TUBE 1", 5" TOT. LONG	12
2.3.0		5	TUBES 2	SOLAR COLECTOR.IDW	Production	COPPER TUBE 1/2"	13
2.4.0		10	COPPER T	SOLAR COLECTOR.IDW	Standard	1"X 1"X 1/2"	14
2.5.0		2	CAP		Standard	1"	

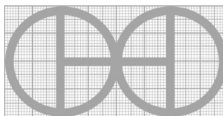
PROJECT		CREATED BY	APPROVED BY	DATE	VERSION
SANTA CRUZ SOLAR COLECTOR		D. RODRIGUEZ	A. MORILLO	24-10-21	1.0
PART NAME		FILE NAME			PART CODE
PART LIST					B1
DEVELOPED BY	REDESIGNED BY	SUPPORTED BY	DOC. TYPE	MATERIAL	QUANTITY
			PART LIST		
NATIONAL CENTER FOR APPROPRIATE TECHNOLOGY	OHO e.V.		LICENCE	SCALE	SHEET
			CC-BY-SA 4.0		3 / 15

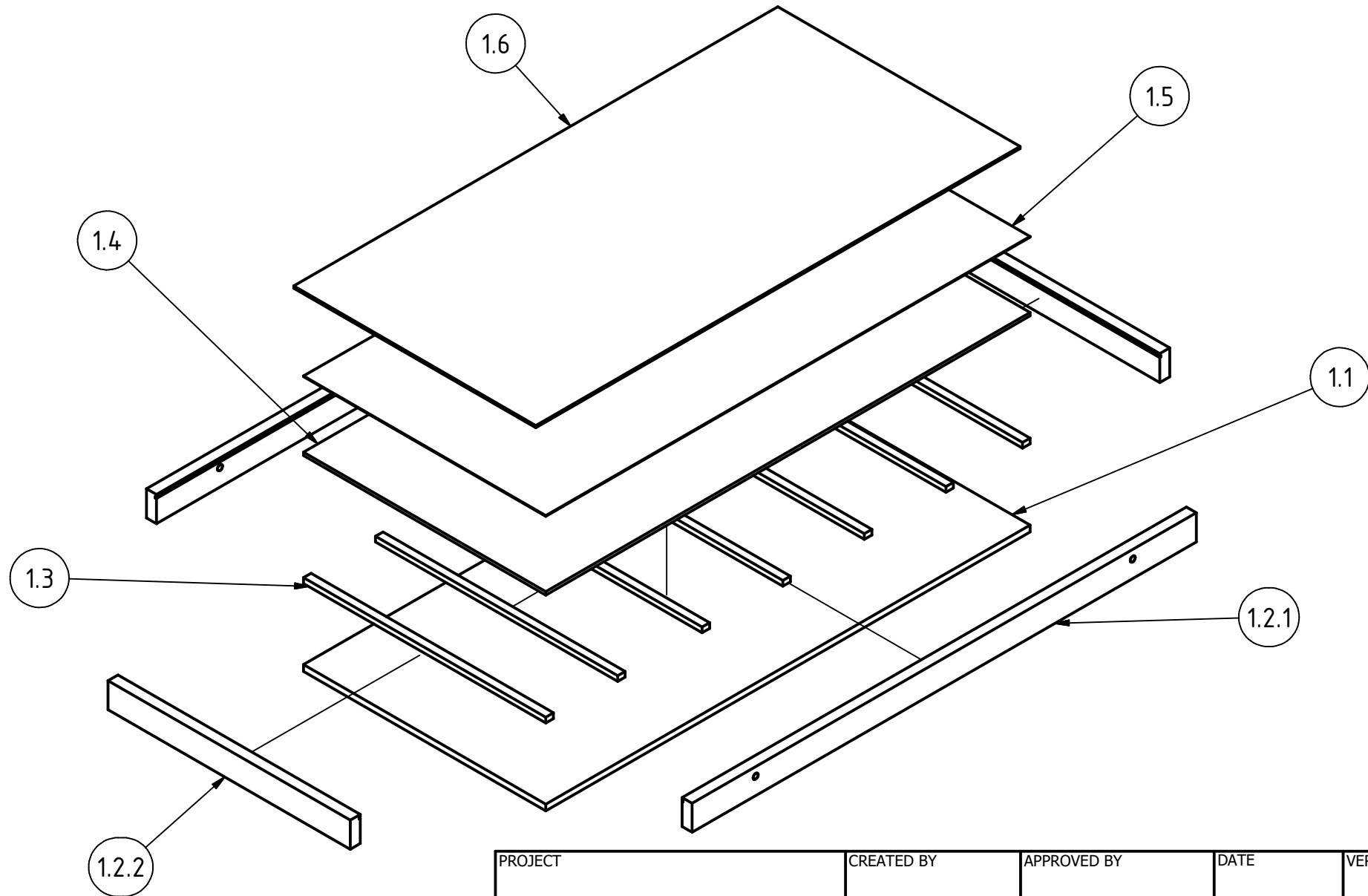
F-F ( 1:20 )



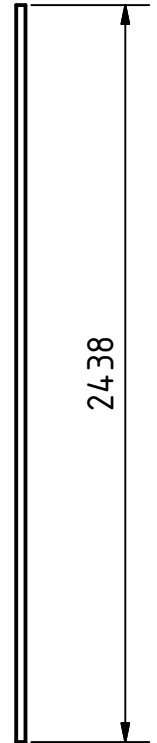
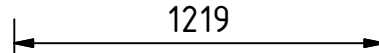
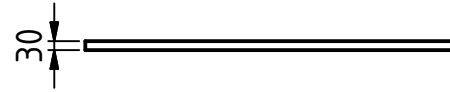
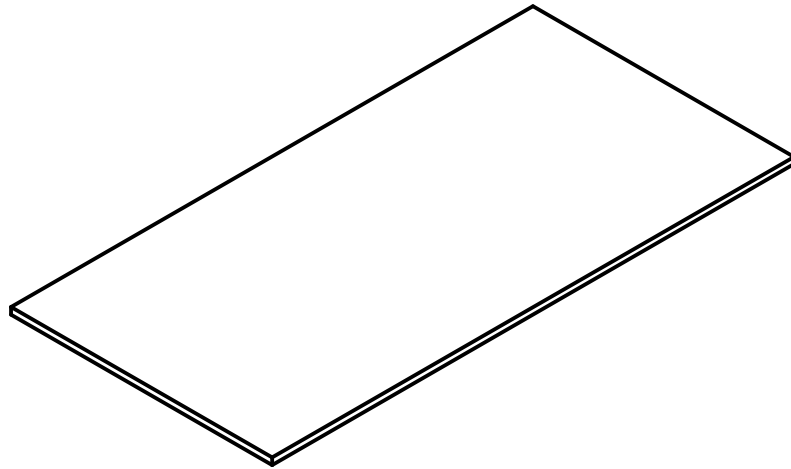
G ( 1 : 10 )

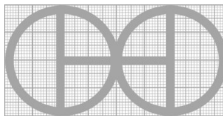


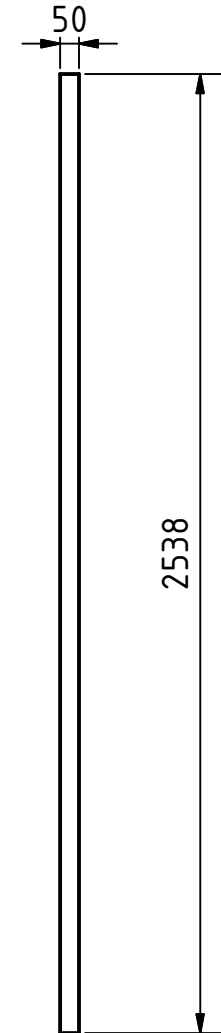
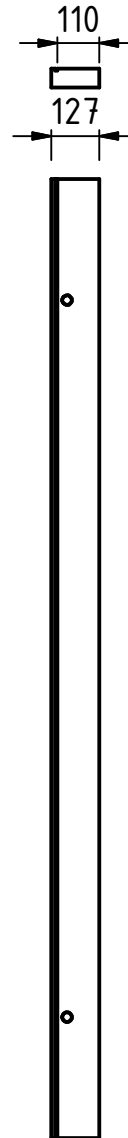
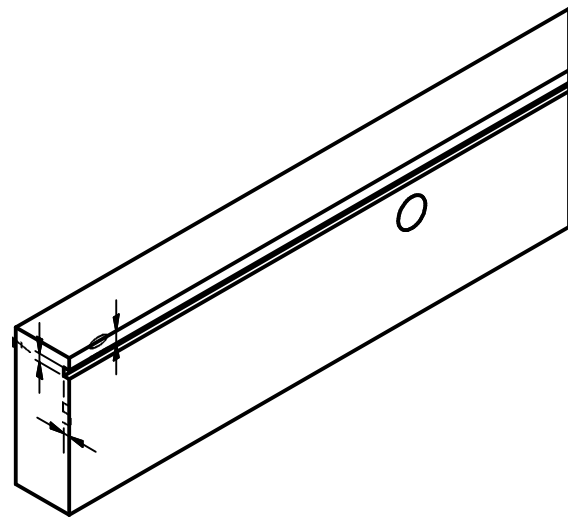
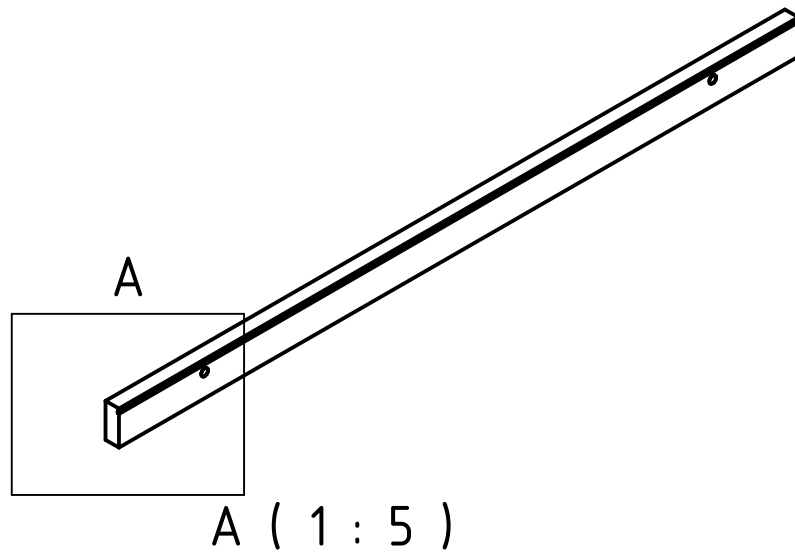
PROJECT		CREATED BY	APPROVED BY	DATE	VERSION
SANTA CRUZ SOLAR COLECTOR		D. RODRIGUEZ	A. MORILLO	24-10-21	1.0
PART NAME		FILE NAME			PART CODE
BOX		SOLAR COLECTOR.IDW			1.0.0
DEVELOPED BY	REDESIGNED BY	SUPPORTED BY	DOC. TYPE	MATERIAL	QUANTITY
NATIONAL CENTER FOR APPROPRIATE TECHNOLOGY	 OHO e.V.		ASSEMBLY		1
			LICENCE	SCALE	SHEET
			CC-BY-SA 4.0	1:20	4 / 15

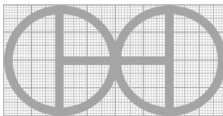


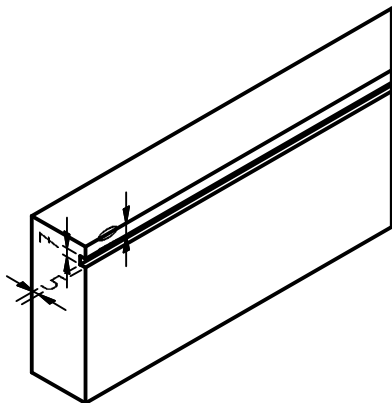
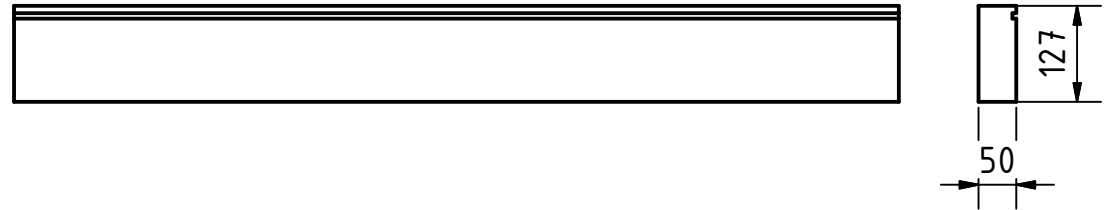
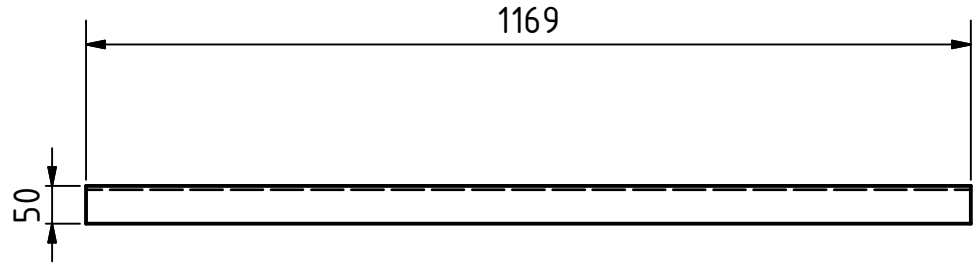
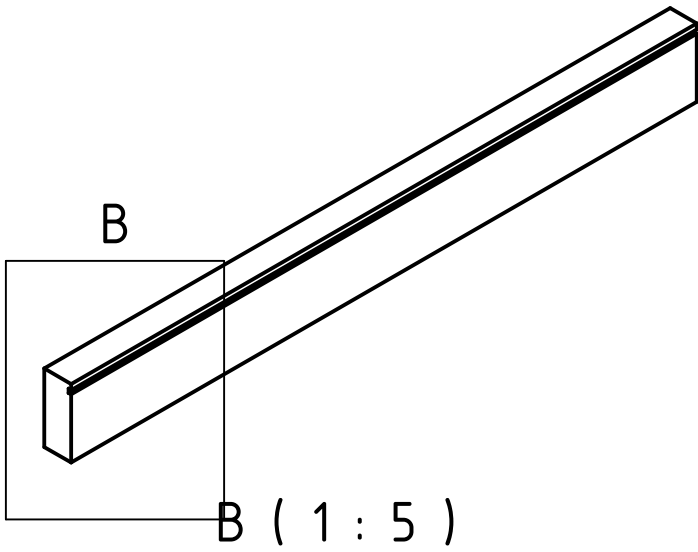
PROJECT		CREATED BY	APPROVED BY	DATE	VERSION
SANTA CRUZ SOLAR COLECTOR		D. RODRIGUEZ	A. MORILLO	24-10-21	1.0
PART NAME		FILE NAME			PART CODE
		Solar Colctor.idw			1.0.0
DEVELOPED BY	REDESIGNED BY	SUPPORTED BY	DOC. TYPE	MATERIAL	QUANTITY
			ASSEMBLY		1
NATIONAL CENTER FOR APPROPRIATE TECHNOLOGY	OHO e.V.		LICENCE	SCALE	SHEET
			CC-BY-SA 4.0		5 / 15

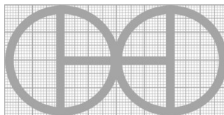


PROJECT		CREATED BY	APPROVED BY	DATE	VERSION
SANTA CRUZ SOLAR COLECTOR		D. RODRIGUEZ	A. MORILLO	24-10-21	1.0
PART NAME		FILE NAME			PART CODE
WOOD SHEET		SOLAR COLECTOR.IDW			1.1.0
DEVELOPED BY	REDESIGNED BY	SUPPORTED BY	DOC. TYPE	MATERIAL	QUANTITY
NATIONAL CENTER FOR APPROPRIATE TECHNOLOGY	 OHO e.V.		PART	PLYWOOD	1
			LICENCE	SCALE	SHEET
			CC-BY-SA 4.0	1:25	6 / 15

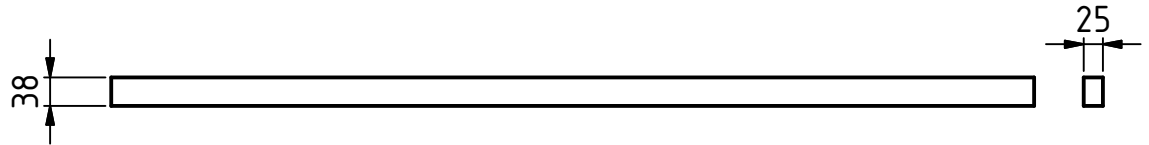
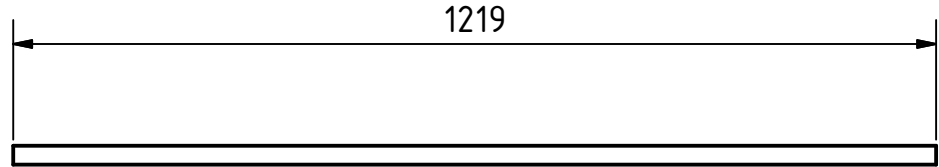
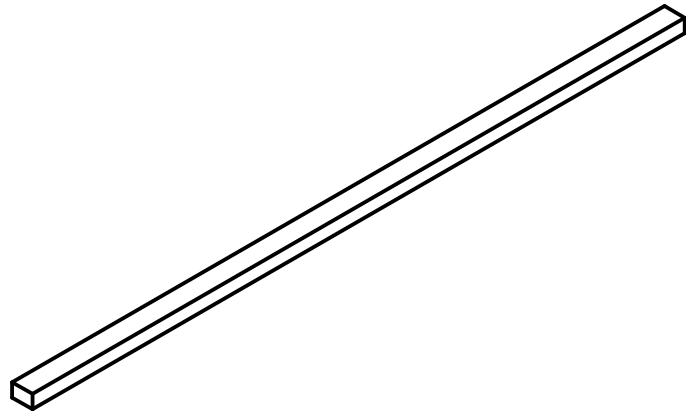



PROJECT		CREATED BY		APPROVED BY		DATE		VERSION	
SANTA CRUZ SOLAR COLECTOR		D. RODRIGUEZ		A. MORILLO		24-10-21		1.0	
PART NAME				FILE NAME				PART CODE	
EDGES1				SOLAR COLECTOR.IDW				1.2.1	
DEVELOPED BY		REDESIGNED BY		SUPPORTED BY		DOC. TYPE	MATERIAL		QUANTITY
NATIONAL CENTER FOR APPROPRIATE TECHNOLOGY		 OHO e.V.				PART	KLIN DRIED PINE		1
						LICENCE	SCALE	SHEET	
				CC-BY-SA 4.0		1:20		7 / 15	



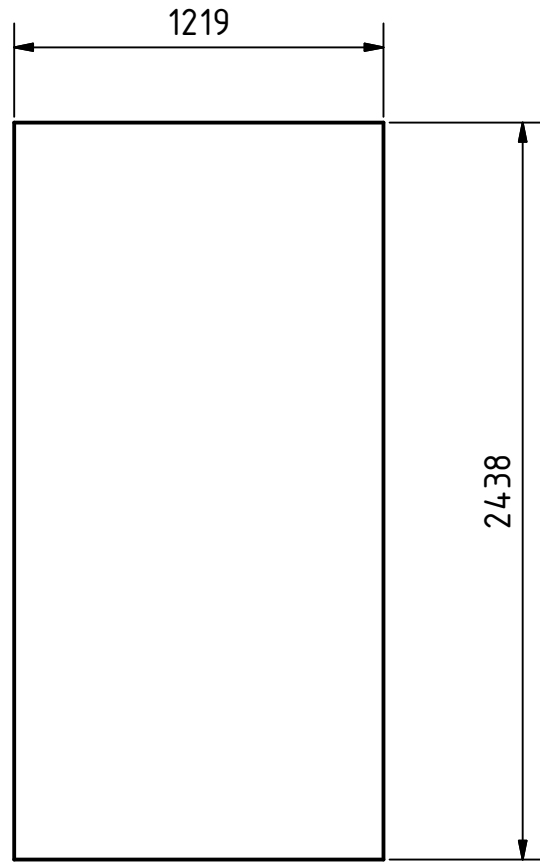
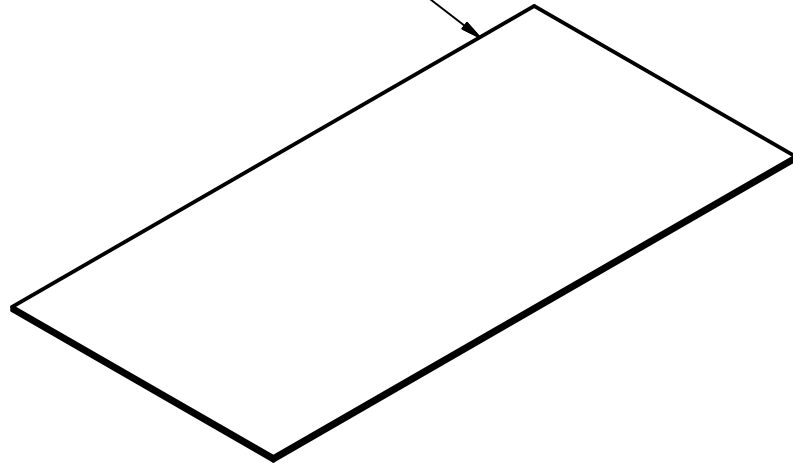
PROJECT		CREATED BY	APPROVED BY	DATE	VERSION
SANTA CRUZ SOLAR COLECTOR		D. RODRIGUEZ	A. MORILLO	24-10-21	1.0
PART NAME		FILE NAME			PART CODE
EDGES2		SOLAR COLECTOR.IDW			1.2.2
DEVELOPED BY	REDESIGNED BY	SUPPORTED BY	DOC. TYPE	MATERIAL	QUANTITY
NATIONAL CENTER FOR APPROPRIATE TECHNOLOGY	 OHO e.V.		PART	KLIN DRIED PINE	1
			LICENCE	SCALE	SHEET
			CC-BY-SA 4.0	1:20	8 / 15

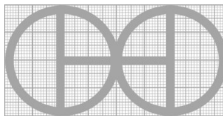


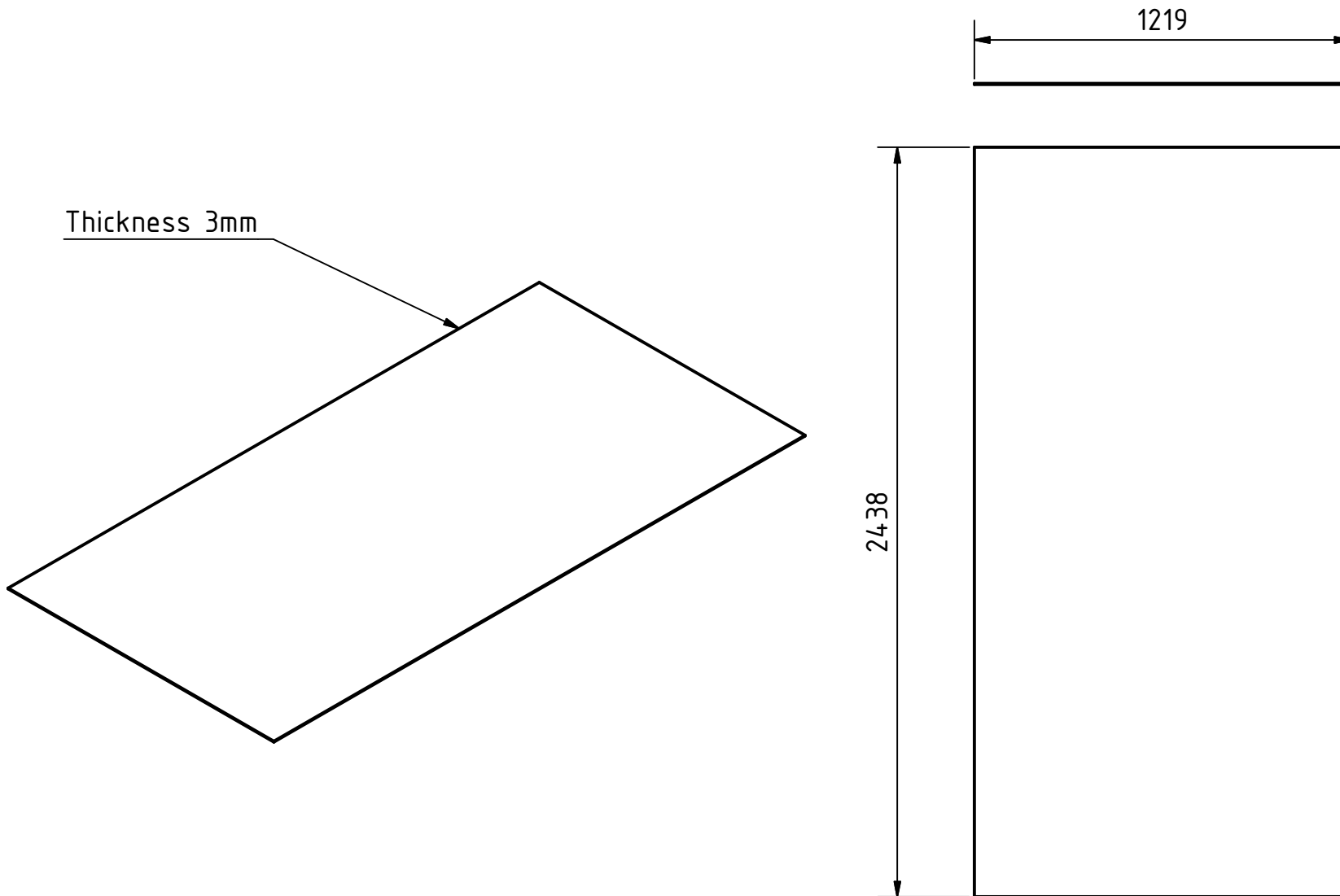


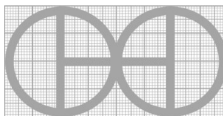
PROJECT		CREATED BY	APPROVED BY	DATE	VERSION
SANTA CRUZ SOLAR COLECTOR		D. RODRIGUEZ	A. MORILLO	24-10-21	1.0
PART NAME		FILE NAME			PART CODE
REINFORCEMENT		SOLAR COLECTOR.IDW			1.3.0
DEVELOPED BY	REDESIGNED BY	SUPPORTED BY	DOC. TYPE	MATERIAL	QUANTITY
NATIONAL CENTER FOR APPROPRIATE TECHNOLOGY	 OHO e.V.		PART	DRIED PINE WOOD	1
			LICENCE	SCALE	SHEET
			CC-BY-SA 4.0	1:20	9 / 15

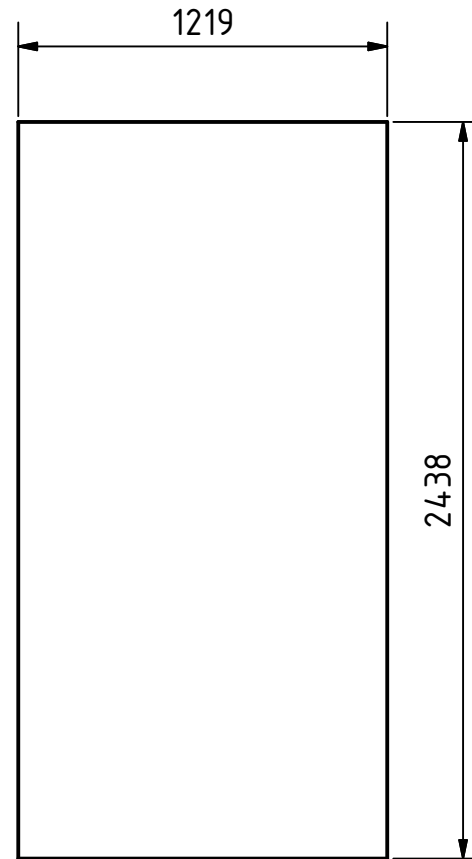
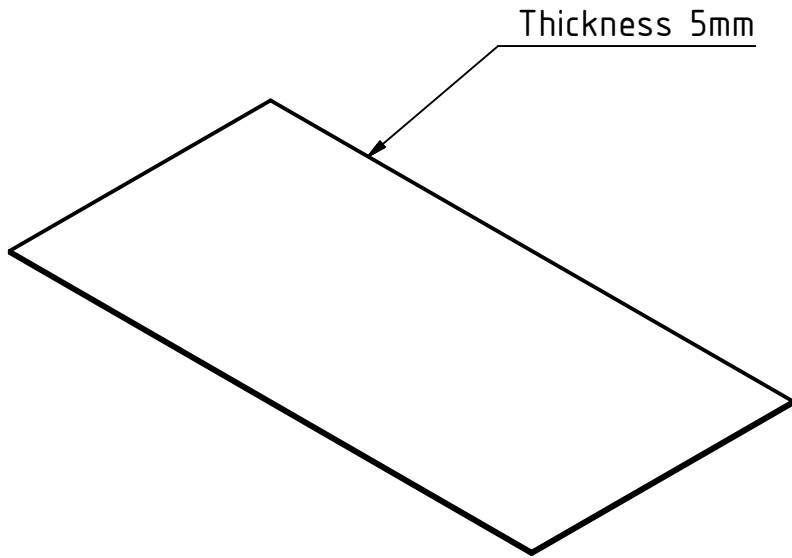
Thickness 15mm




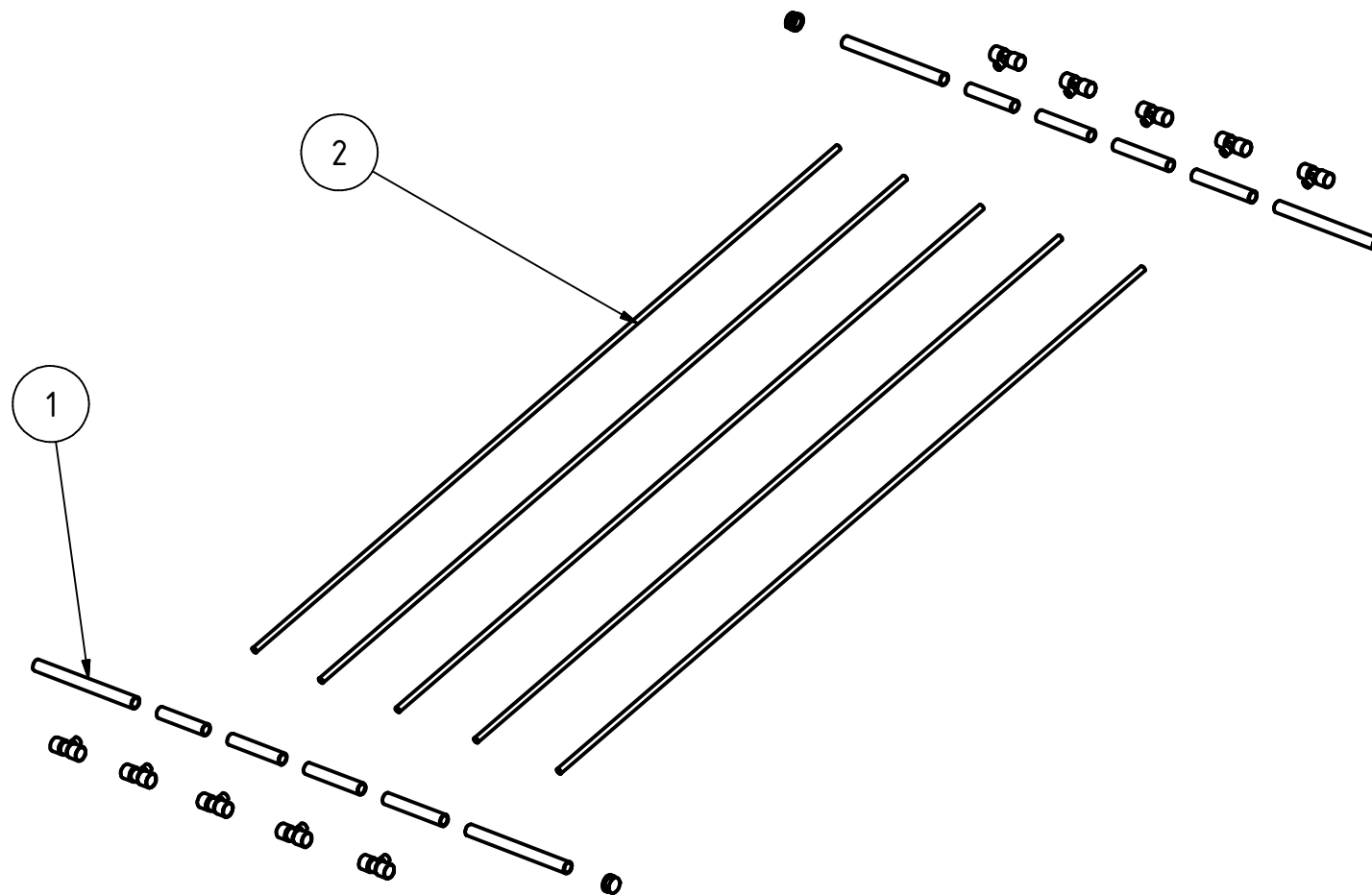
PROJECT		CREATED BY	APPROVED BY	DATE	VERSION
SANTA CRUZ SOLAR COLECTOR		D. RODRIGUEZ	A. MORILLO	24-10-21	1.0
PART NAME		FILE NAME			PART CODE
INSULATING		SOLAR COLECTOR.IDW			1.4.0
DEVELOPED BY	REDESIGNED BY	SUPPORTED BY	DOC. TYPE	MATERIAL	QUANTITY
NATIONAL CENTER FOR APPROPRIATE TECHNOLOGY	 OHO e.V.		PART	FOAM OR WOOL FIBER	1
			LICENCE	SCALE	SHEET
			CC-BY-SA 4.0	1:20	10 /15

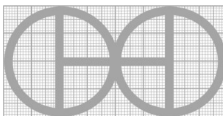


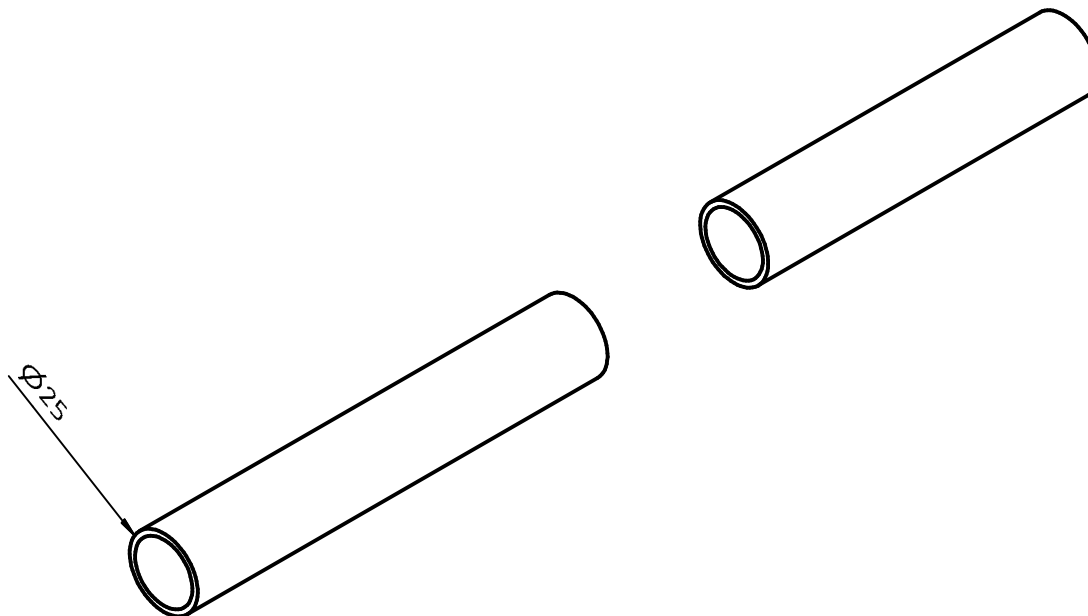
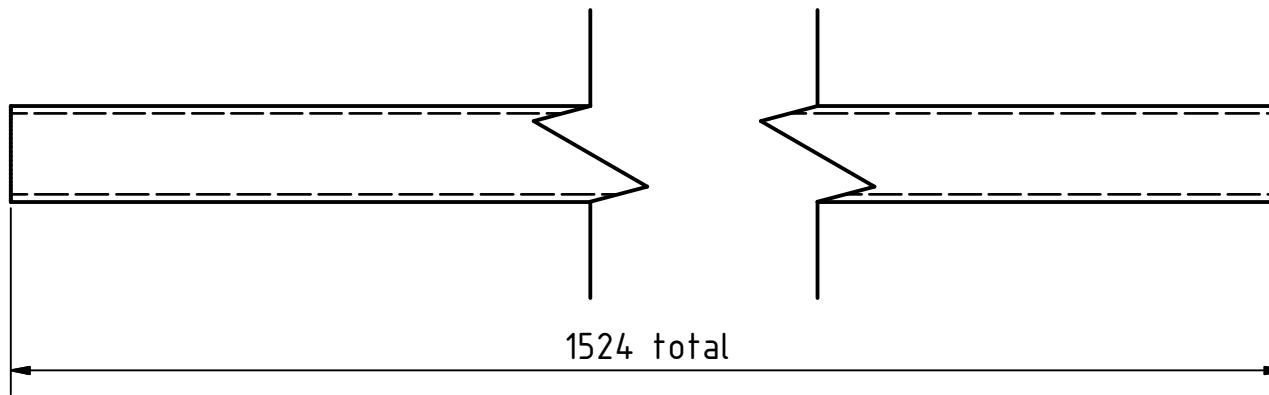
PROJECT		CREATED BY	APPROVED BY	DATE	VERSION
SANTA CRUZ SOLAR COLECTOR		D. RODRIGUEZ	A. MORILLO	24-10-21	1.0
PART NAME		FILE NAME			PART CODE
IRON LAMINATE		SOLAR COLECTOR.IDW			1.5.0
DEVELOPED BY	REDESIGNED BY	SUPPORTED BY	DOC. TYPE	MATERIAL	QUANTITY
NATIONAL CENTER FOR APPROPRIATE TECHNOLOGY	 OHO e.V.		PART	GALVANIZAD STEEL	1
			LICENCE	SCALE	SHEET
			CC-BY-SA 4.0	1:20	11 /15



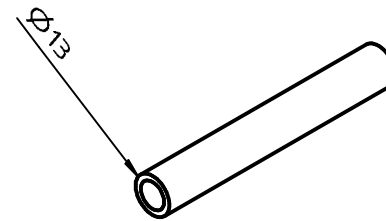
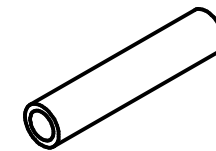
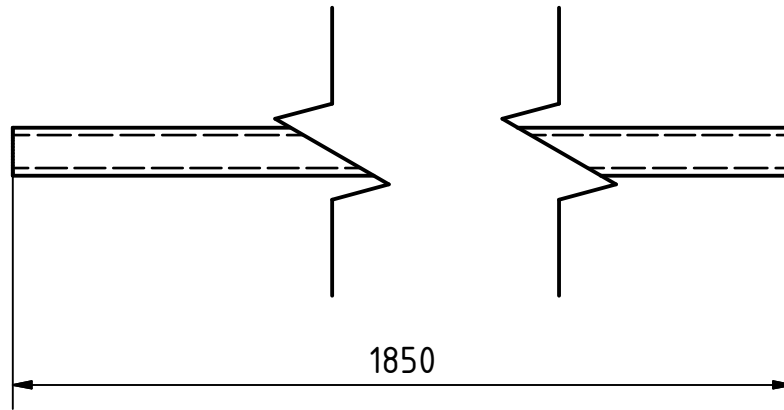
PROJECT		CREATED BY	APPROVED BY	DATE	VERSION
SANTA CRUZ SOLAR COLECTOR		D. RODRIGUEZ	A. MORILLO	24-10-21	1.0
PART NAME		FILE NAME			PART CODE
GLASS		SOLAR COLECTOR.IDW			1.6.0
DEVELOPED BY	REDESIGNED BY	SUPPORTED BY	DOC. TYPE	MATERIAL	QUANTITY
NATIONAL CENTER FOR APPROPRIATE TECHNOLOGY	 OHO e.V.		PART	GLASS	1
			LICENCE	SCALE	SHEET
			CC-BY-SA 4.0	1:20	12 / 15

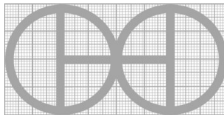


PROJECT		CREATED BY	APPROVED BY	DATE	VERSION
SANTA CRUZ SOLAR COLECTOR		D. RODRIGUEZ	A. MORILLO	24-10-21	1.0
PART NAME		FILE NAME			PART CODE
PIPING SYSTEM		SOLAR COLECTOR.IDW			2.0.0
DEVELOPED BY	REDESIGNED BY	SUPPORTED BY	DOC. TYPE	MATERIAL	QUANTITY
NATIONAL CENTER FOR APPROPRIATE TECHNOLOGY	 OHIO e.V.		ASSEMBLY		1
			LICENCE	SCALE	SHEET
			CC-BY-SA 4.0	1:15	13 /15



PROJECT		CREATED BY	APPROVED BY	DATE	VERSION
SANTA CRUZ SOLAR COLECTOR		D. RODRIGUEZ	A. MORILLO	24-10-21	1.0
PART NAME		FILE NAME			PART CODE
TUBES 1		SOLAR COLECTOR.IDW			2.1.0
DEVELOPED BY	REDESIGNED BY	SUPPORTED BY	DOC. TYPE	MATERIAL	QUANTITY
NATIONAL CENTER FOR APPROPRIATE TECHNOLOGY	 OHO e.V.		PART	COPPER	1
			LICENCE	SCALE	SHEET
			CC-BY-SA 4.0	1:2	14 /15



PROJECT		CREATED BY		APPROVED BY		DATE		VERSION	
SANTA CRUZ SOLAR COLECTOR		D. RODRIGUEZ		A. MORILLO		24-10-21		1.0	
PART NAME				FILE NAME				PART CODE	
TUBES 2				SOLAR COLECTOR.IDW				2.2.0	
DEVELOPED BY		REDESIGNED BY		SUPPORTED BY		DOC. TYPE	MATERIAL		QUANTITY
NATIONAL CENTER FOR APPROPRIATE TECHNOLOGY		 OHO e.V.				PART	COPPER		1
						LICENCE		SCALE	SHEET
						CC-BY-SA 4.0	1:2	15 /15	