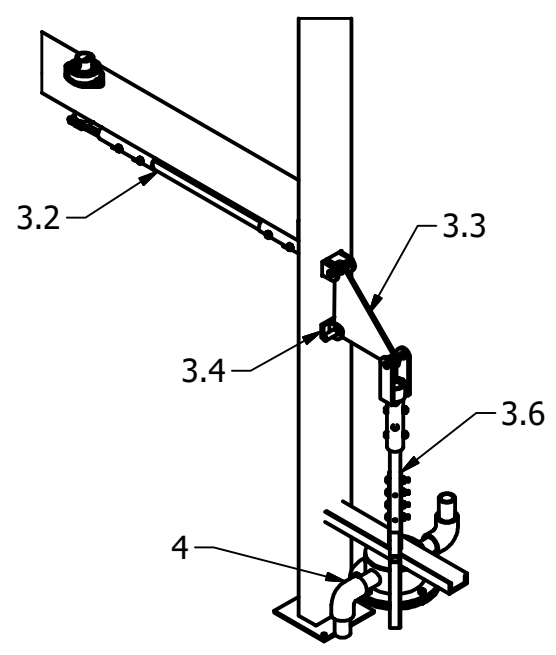
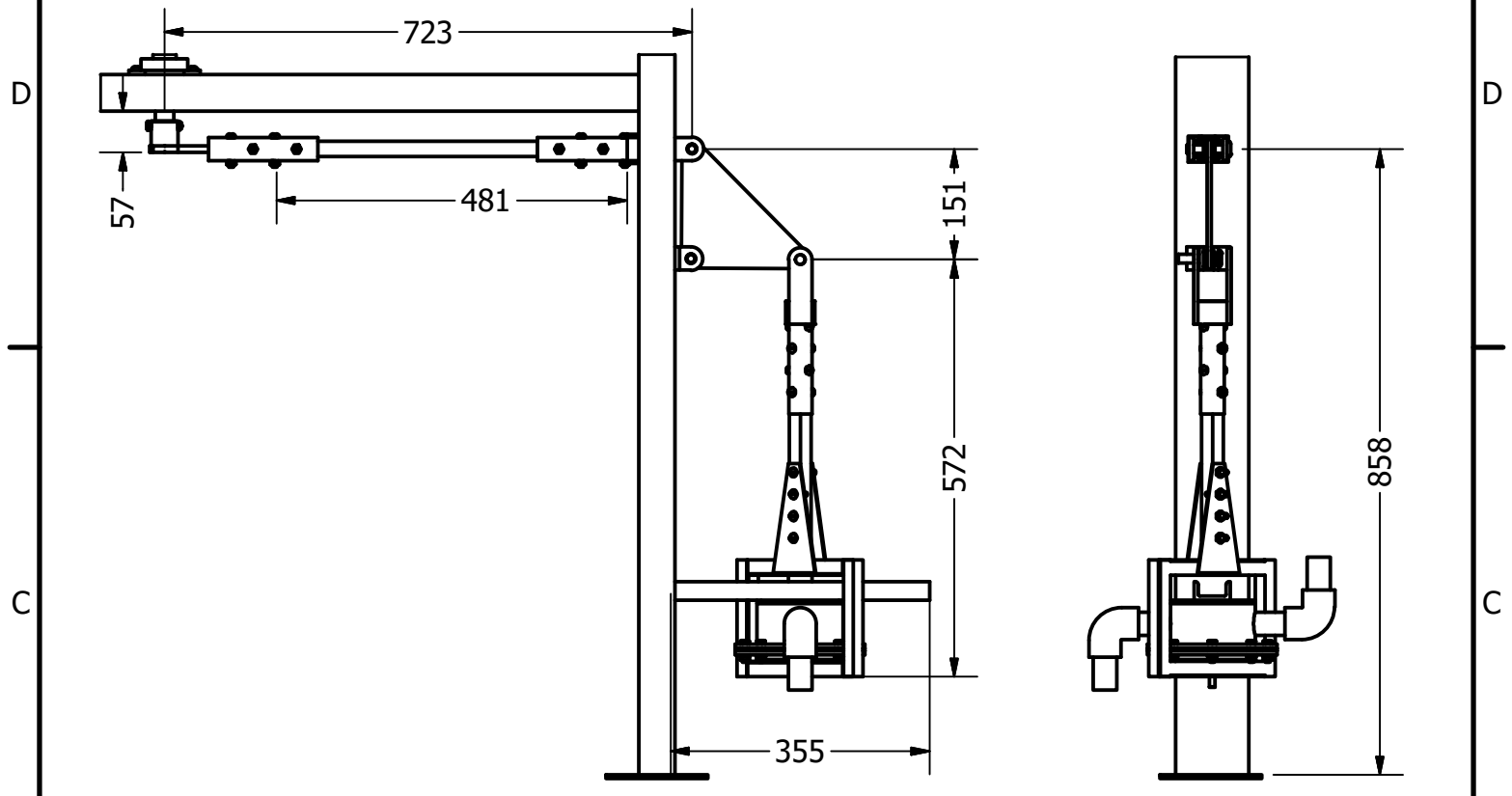




2

1



Proyekt Wind Mill Pump		Created by D. Mosquera		Approved by D. Jaeger	
Part Name Drive		Part Code 3		Document Type Assembly	
Redesigned by  OPEN SOURCE ECOLOGY GERMANY		Supported by  E.ON STIFTUNG		License CC BY-SA 4.0	
		File Name oseg_wmp_drive.iam		Version 1.0	
		Scale 1 / 10		Quantity 21	
				Date 28.02.21	

2

1

