

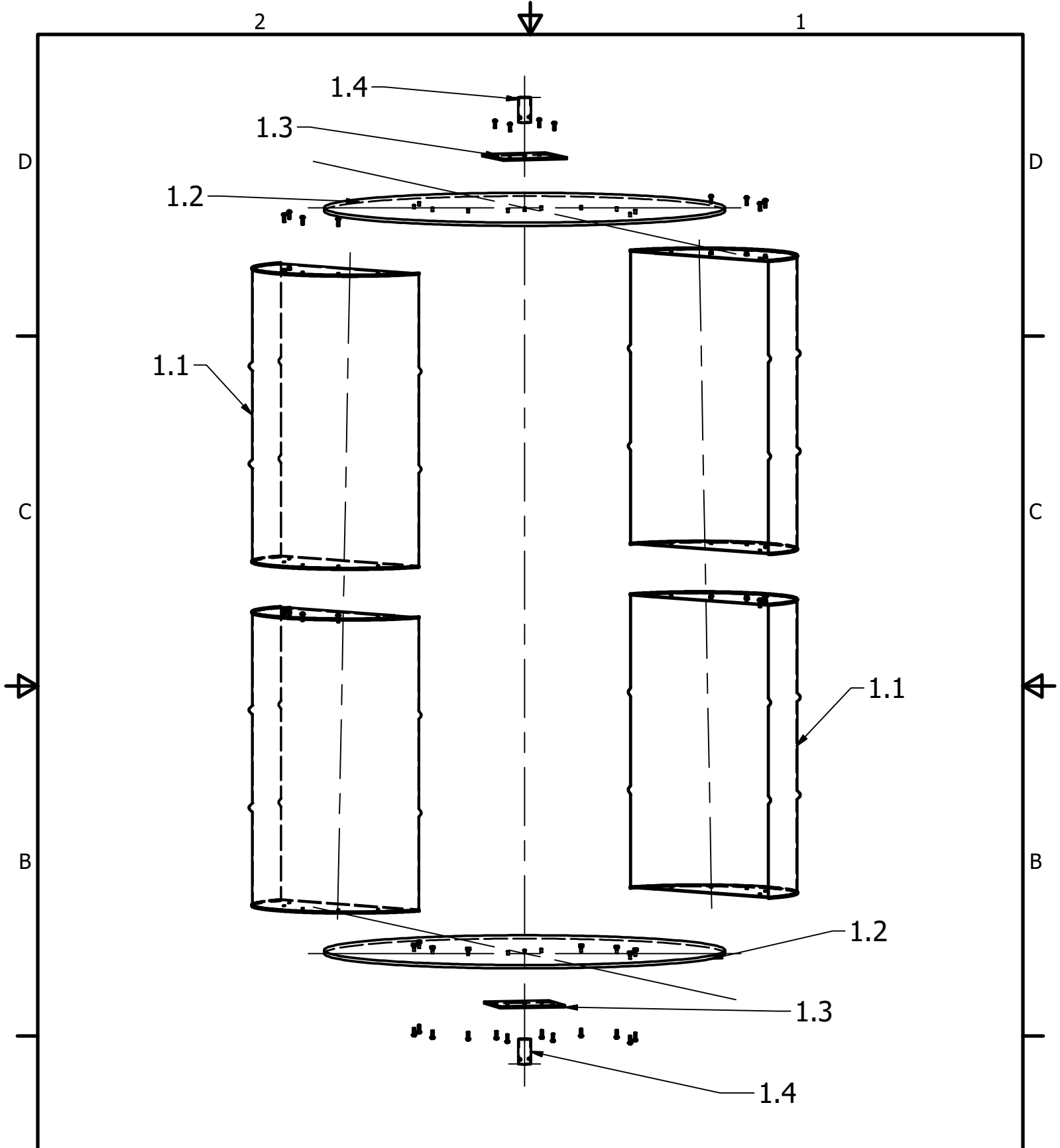




Proyect Wind Mill Pump		Created by D. Mosquera		Approved by D. Jaeger	
Part Name Rotor		Part Code 1		Document Type Assembly	
Redesigned by  OPEN SOURCE ECOLOGY GERMANY		Supported by  E.ON STIFTUNG		License CC BY-SA 4.0	
				File Name oseg_wmp_rotor.iam	
				Version 1.0	
				Quantity 1	
				Scale 1 / 20	
				Sheet 7	
				Date 28.02.21	

2

4

1



Project Wind Mill Pump		Created by D. Mosquera		Approved by D. Jaeger	
Part Name Rotor		Part Code 1		Document Type Assembly	
Redesigned by  OPEN SOURCE ECOLOGY GERMANY		Supported by  E.ON STIFTUNG		License CC BY-SA 4.0	
				File Name oseg_wmp_rotor.iam	
				Version 1.0	
				Quantity 8	
				Scale 1 / 15	
				Sheet 8	
				Date 28.02.21	