

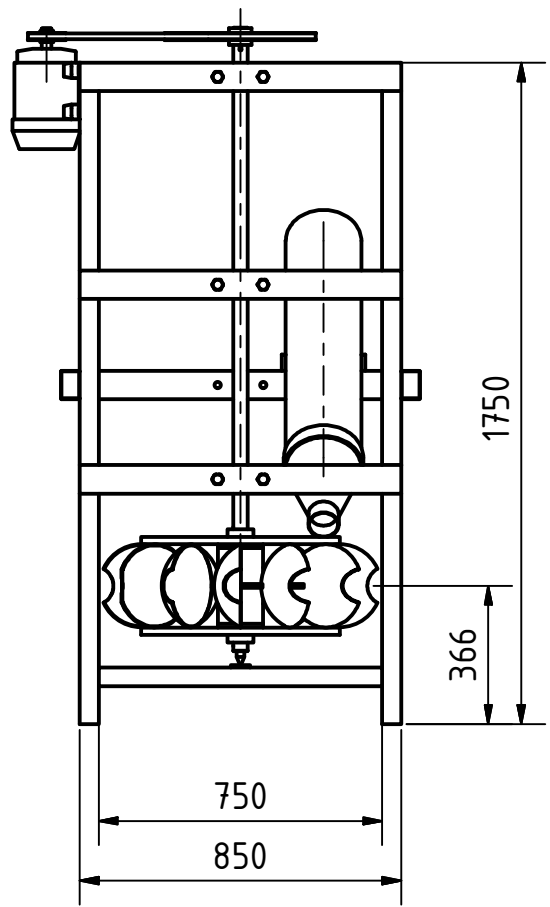
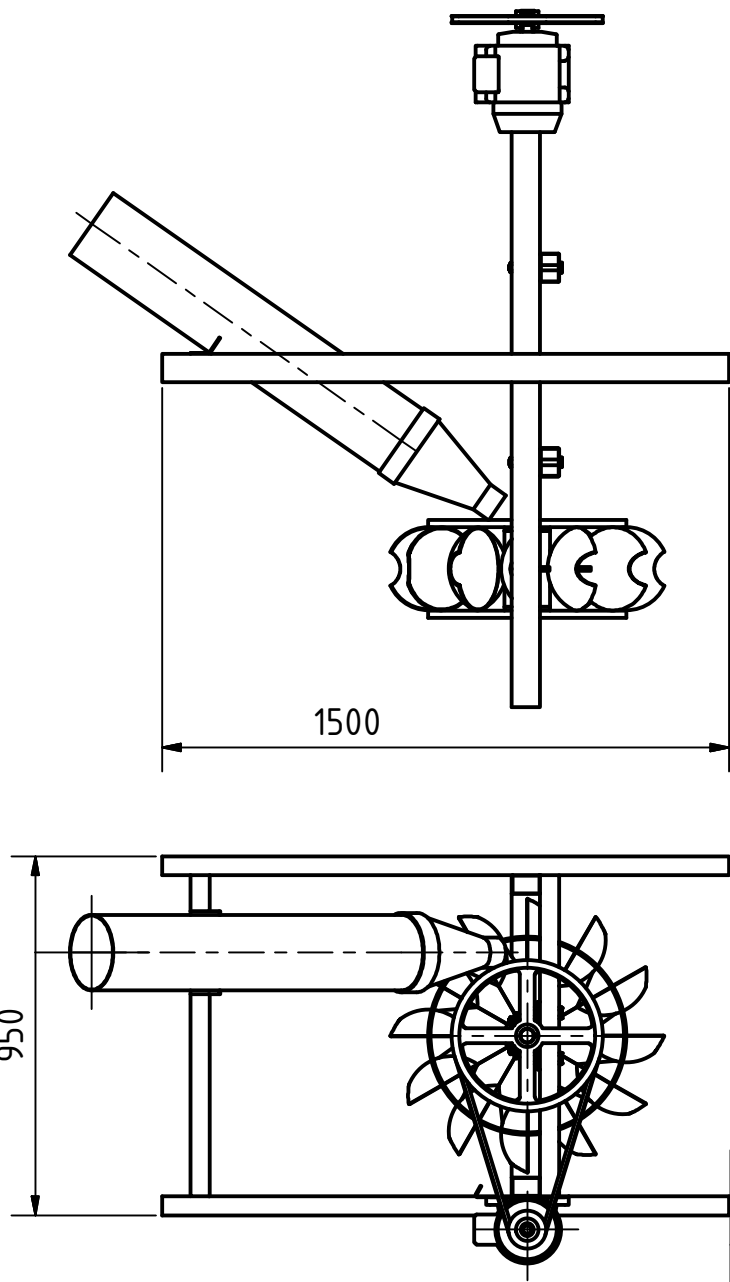




PROJECT		CREATED BY	APPROVED BY	DATE	VERSION
PROJECT NAME		D.MOSQUERA	A. MORILLO	20-05-21	1.0
PART NAME		FILE NAME			PART CODE
oseg_hww_Himalayan-Water-Wheel		oseg_hww_Himalayan-Water-Wheel.iam			A1
DEVELOPED BY	REDESIGNED BY	SUPPORTED BY	DOC. TYPE	MATERIAL	QUANTITY
	 <small>OPEN SOURCE ECOLOGY GERMANY</small>		ASSEMBLY		1
			LICENCE	SCALE	SHEET
UNICEF	OSEG	E.ON STIFTUNG	CC-BY-SA 4.0		1 /38



PROJECT		CREATED BY	APPROVED BY	DATE	VERSION
PROJECT NAME		D.MOSQUERA	A. MORILLO	20-05-21	1.0
PART NAME		FILE NAME			PART CODE
oseg_hww_Himalayan-Water-Wheel		oseg_hww_Himalayan-Water-Wheel.iam			A1
DEVELOPED BY	REDESIGNED BY	SUPPORTED BY	DOC. TYPE	MATERIAL	QUANTITY
	 OPEN SOURCE ECOLOGY GERMANY		ASSEMBLY		1
UNICEF	OSEG	E.ON STIFTUNG	LICENCE	SCALE	SHEET
			CC-BY-SA 4.0		2 /38