

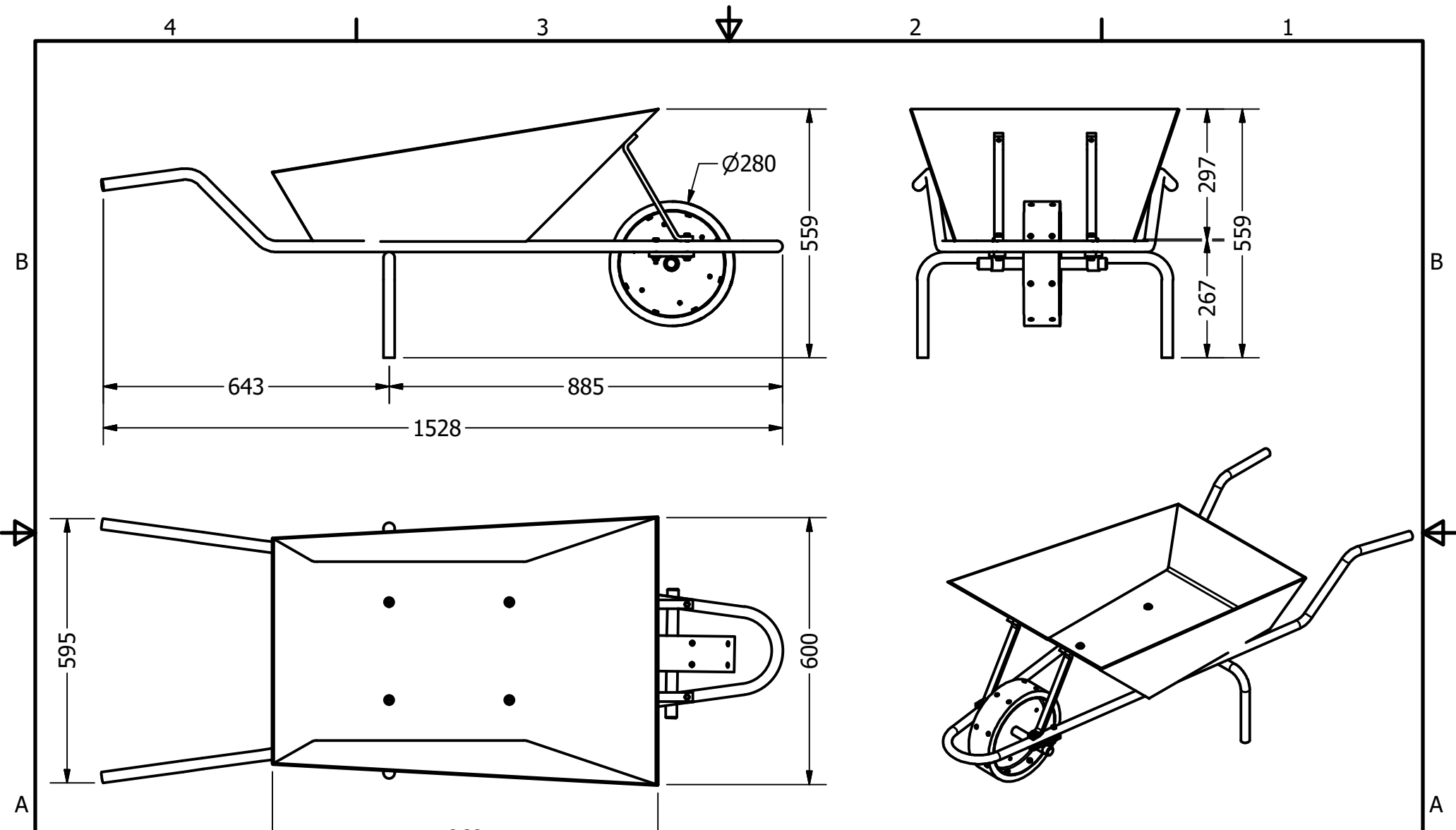




Project Wheel Barrow		Created by D. Mosquera	Approved by D. Jeager		
Part Name Wheel Barrow		Part Code A1	Document Type ASSEMBLY	Material	
Redesigned by  Open Source Ecology e.V. Knobelsdorffstr. 22 14059 Berlin www.os-e-germany.de +49 (0) 30 / 92282426	Original drawing from 	License CERN-OHL	File Name oseg_wb_A1_wheel-barrow.iam	Version 1.0	Quantity
			Scale 1:8	Sheet 1	Date 11.11.20



Project 868		Created by D. Mosquera		Approved by D. Jeager	
Part Name Wheel Barrow		Part Code A2		Document Type ASSEMBLY	
Redesigned by  Open Source Ecology e.V. Knobelsdorffstr. 22 14059 Berlin www.ose-germany.de +49 (0) 30 / 92282426		Original drawing from 		License CERN-OHL	
		File Name oseg_wb_A1_wheel-barrow.iam		Version 1.0	
		Scale 1:12		Quantity 2	
				Date 11.11.20	