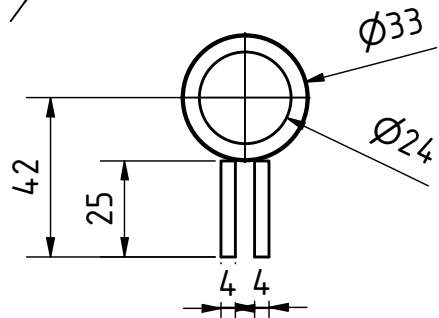


P (1 : 2)

Note: all units in mm



PROJECT	CREATED BY	APPROVED BY	DATE	VERSION
Drill Press For Heavy Duty	E. Ceballos	A. Morillo	01/08/2021	1.0
PART NAME	FILE NAME			POS
Pipe 1" central chain and washer	pipe 1" central chain and washer.iam			40.0
DEVELOPED BY	REDESIGNED BY	DOC. TYPE	MATERIAL	QUANTITY
Popular Mechanics	OHO e.V.	ASSEMBLY		1
		LICENCE	SCALE	SHEET
		CC-BY-SA 4.0	1:2	18 /20