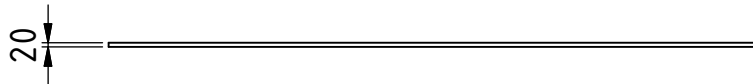
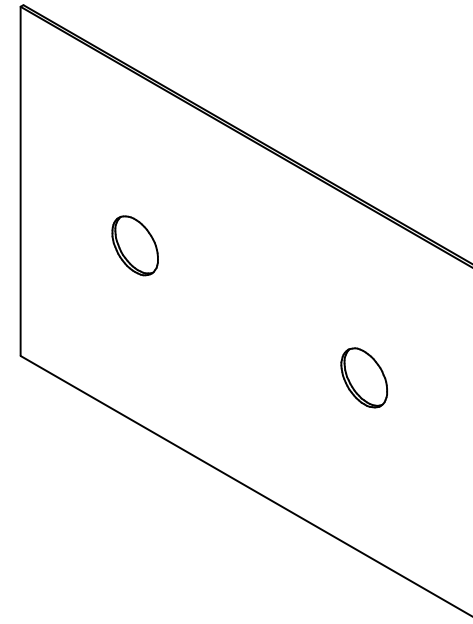
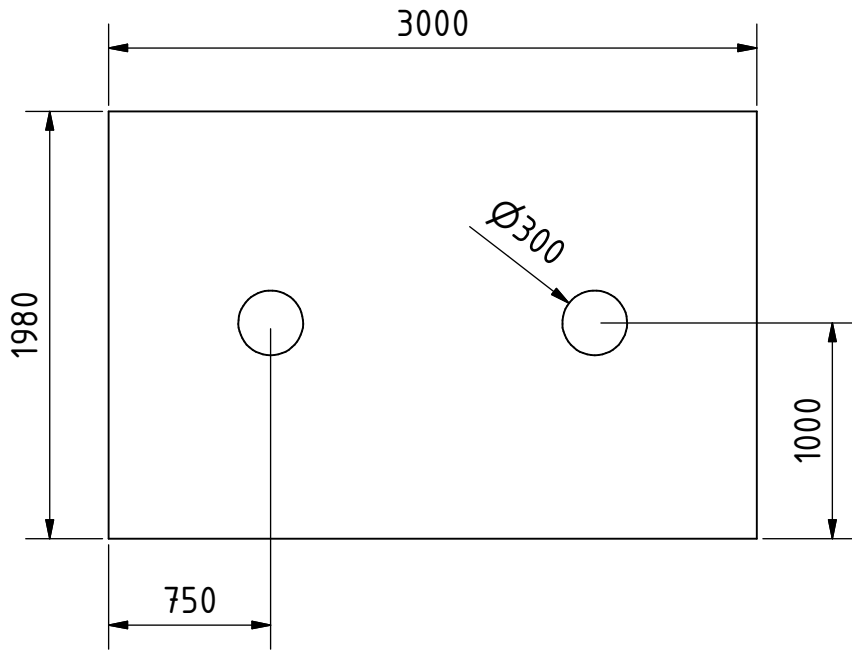
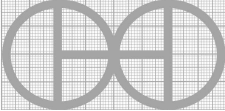


PLAN (1 : 35)



Note: All units in mm.

PROJECT	CREATED BY	APPROVED BY	DATE	VERSION
Batch Tray Dryer	J. Zeron	A. Morillo	10/08/2021	1.0
PART NAME	FILE NAME			POS
Cabinet top	Cabinet top.ipt			1.5
DEVELOPED BY	REDESIGNED BY	DOC. TYPE	MATERIAL	QUANTITY
		Part	Hard wood	1
Practical Action	OHO e.V.	LICENCE	SCALE	SHEET
		CC-BY-SA 4.0	1:35	10 /28