
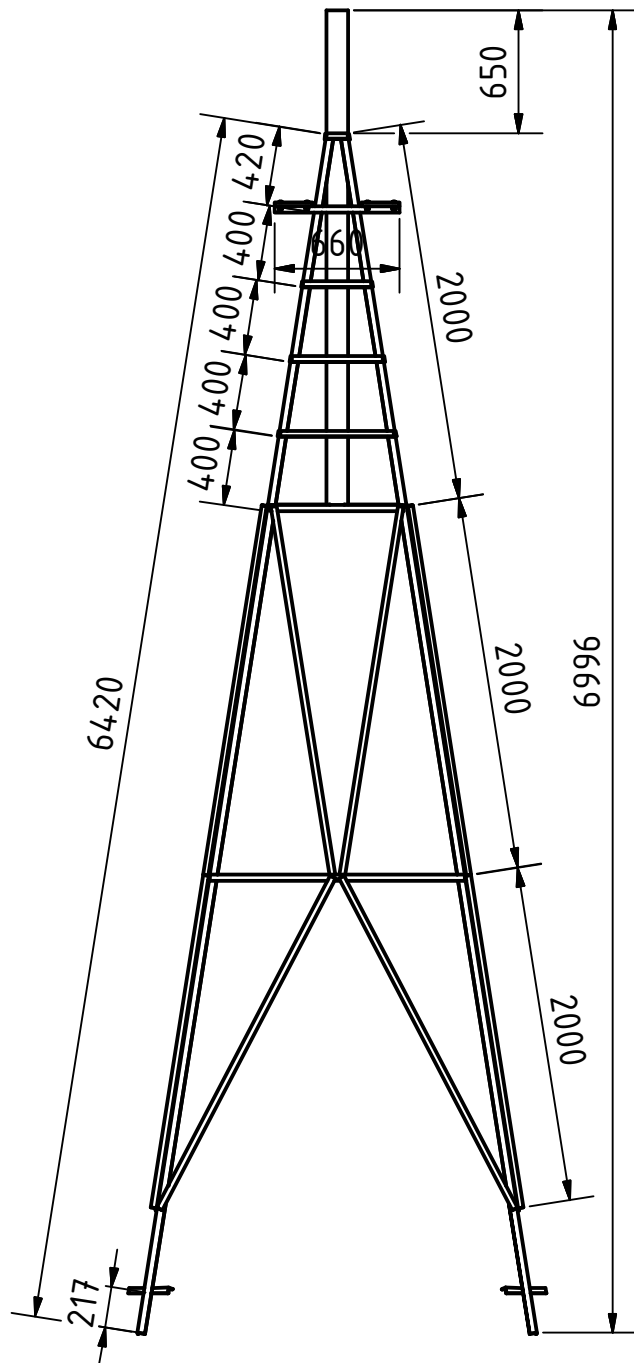
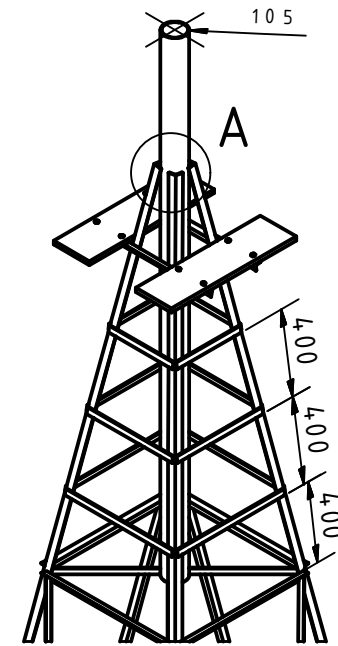
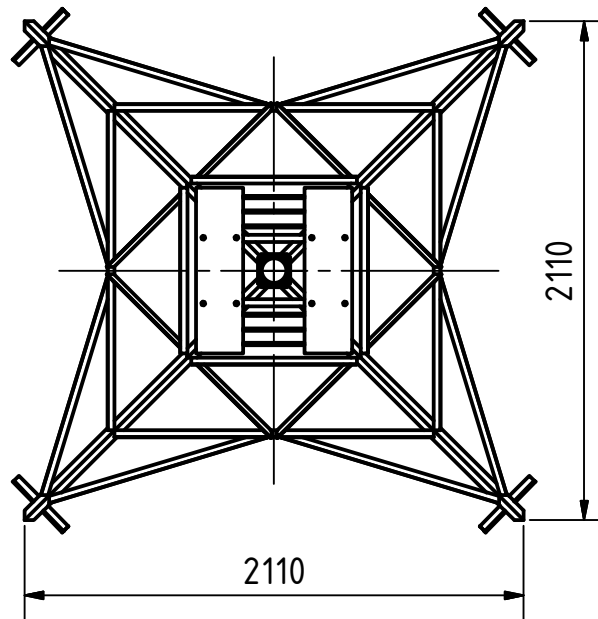


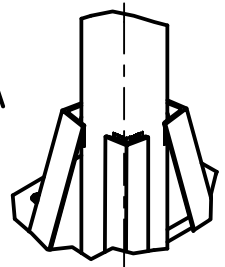
PROJECT	CREATED BY	APPROVED BY	DATE	VERSION
Mast for Wind Turbine	D. Mosquera	A. Morillo	22/06/2021	1.0
PART NAME	FILE NAME			POS
3d views	wot_mwt_A1_mast-wind-turbine2.iam			A1
DEVELOPED BY	REDESIGNED BY	DOC. TYPE	MATERIAL	QUANTITY
	 <small>OPEN SOURCE ECOLOGY GERMANY</small>	Assembly		1
WOT		CC-BY-SA 4.0	SCALE	SHEET
	OSEG		1:35	1 /23




View Top (1 : 32)



Det.A



To ensure a strong and reliable connection, eight triangular pieces are welded into the tower tube as filler metal.

PROJECT	CREATED BY	APPROVED BY	DATE	VERSION
Mast for Wind Turbine	D. Mosquera	A. Morillo	22/06/2021	1.0
PART NAME	FILE NAME	POS		
3d views	wot_mwt_A1_mast-wind-turbine2.iam	A1		
DEVELOPED BY	REDESIGNED BY	DOC. TYPE	MATERIAL	QUANTITY
WOT	 OSEG	Assembly		1
		LICENCE	SCALE	SHEET
		CC-BY-SA 4.0	1:40	2 / 23