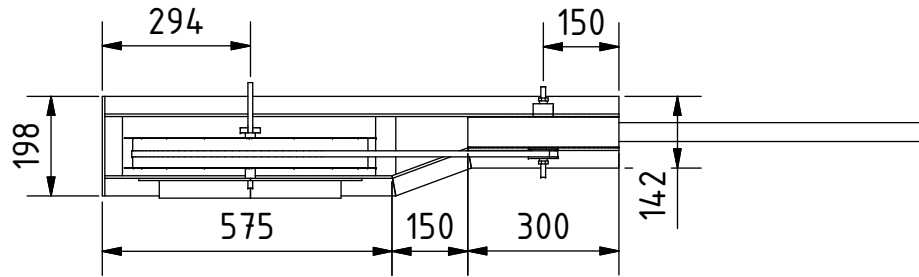
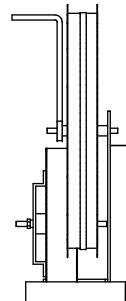
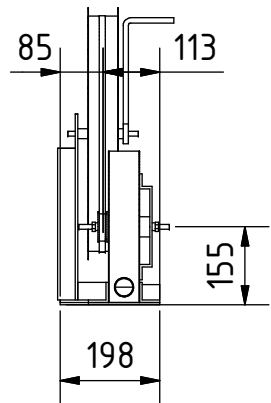
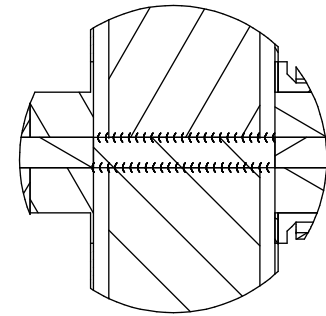
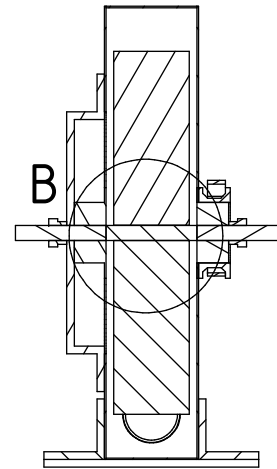


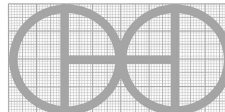
A-A (1 : 5)



B (1 : 2.5)



Note: All units in mm.

PROJECT	CREATED BY	APPROVED BY	DATE	VERSION
Forge Blower	J. Zeron	A. Morillo	30/07/2021	1.0
PART NAME	FILE NAME			POS
3d views	apt_fb_forge-blower.iam			A1
DEVELOPED BY	REDESIGNED BY	DOC. TYPE	MATERIAL	QUANTITY
		Assembly		1
Apt Abatec	OHO e.V.	LICENCE	SCALE	SHEET
		CC-BY-SA 4.0	1:15	1 / 13