
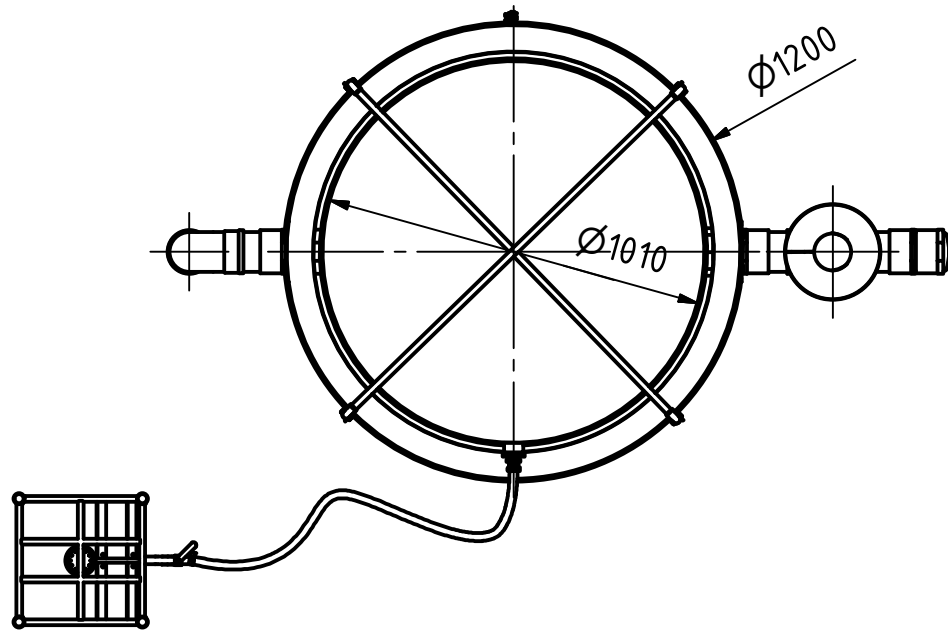
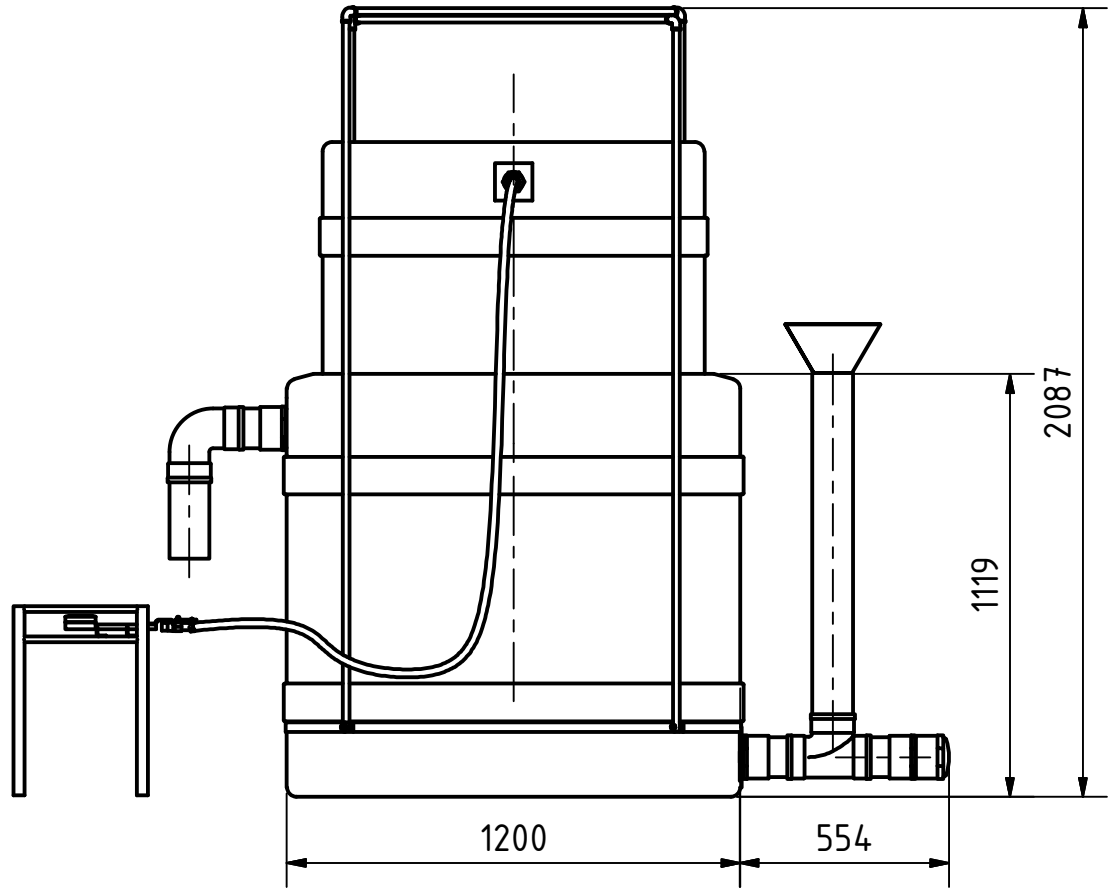

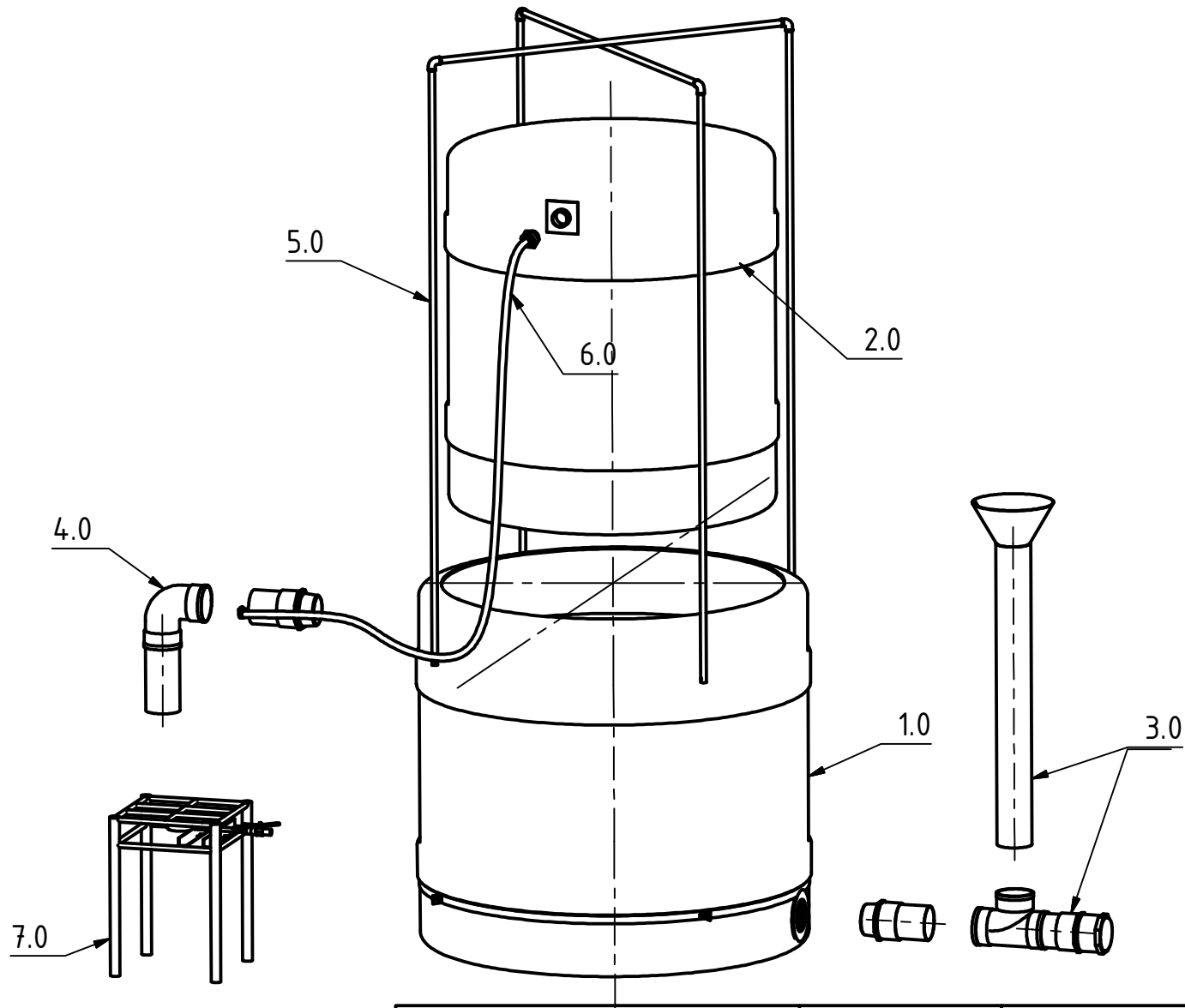



| | | | | |
|---|---|--------------|----------|-----------|
| PROJECT | CREATED BY | APPROVED BY | DATE | VERSION |
| Floating Dome Biodigstor | D.MOSQUERA | D. JAEGER | 02-06-21 | 1.0 |
| PART NAME | FILE NAME | | | PART CODE |
| Floating Dome Biodigstor | aid_fdb_A1_floating-dome-biodigstor.iam | | | A1 |
| DEVELOPED BY | REDESIGNED BY | DOC. TYPE | MATERIAL | QUANTITY |
| Appropriate Infrastructure Development Group |  OPEN SOURCE ECOLOGY GERMANY | ASSEMBLY | | 1 |
| | | LICENCE | SCALE | SHEET |
| | OHO e.V. | CC-BY-SA 4.0 | 1:20 | 1 /40 |




| | | | | |
|---|---|--------------|----------|-----------|
| PROJECT | CREATED BY | APPROVED BY | DATE | VERSION |
| Floating Dome Biodigester | D.MOSQUERA | D. JAEGER | 02-06-21 | 1.0 |
| PART NAME | FILE NAME | | | PART CODE |
| | | | | A1 |
| DEVELOPED BY | REDESIGNED BY | DOC. TYPE | MATERIAL | QUANTITY |
| |  OPEN SOURCE ECOLOGY GERMANY | ASSEMBLY | | 1 |
| Appropriate Infrastructure Development Group | | OHO e.V. | LICENCE | SCALE |
| | | CC-BY-SA 4.0 | | 2 / 40 |



| | | | | |
|--|---|--------------|----------|-----------|
| PROJECT | CREATED BY | APPROVED BY | DATE | VERSION |
| Floating Dome Biodigester | D.MOSQUERA | D. JAEGER | 02-06-21 | 1.0 |
| PART NAME | FILE NAME | | | PART CODE |
| Floating dome biodigester | aid_fdb_A2_floating-dome-biodigester.ipn | | | A2 |
| DEVELOPED BY | REDESIGNED BY | DOC. TYPE | MATERIAL | QUANTITY |
| Appropriate Infrastructure Development Group |  OPEN SOURCE ECOLOGY GERMANY | ASSEMBLY | | 1 |
| | | OHO e.V. | LICENCE | SCALE |
| | | CC-BY-SA 4.0 | | 3 / 40 |


PART LIST

| POS | POS.OLD | QTY | PART NAME | FILE NAME | PART TYPE | SPECIFICATIONS | SHEET |
|-----|---------|-----|---------------------------|--|------------|--|-------|
| A1 | | 1 | Floating Dome Biodigester | aid_fdb_A1_floating-dome-biodigester.iam | | | 1 |
| A1 | | 1 | | | | | 2 |
| A2 | | 1 | Floating dome biodigester | aid_fdb_A2_floating-dome-biodigester.ipn | | | 3 |
| B1 | | | PART LIST | | | | 4 |
| B2 | | | PART LIST | | | | 5 |
| C1 | | | TECH NOTES | | | | 6 |
| C2 | | | TECH NOTES | | | | 7 |
| C3 | | | TECH NOTES | | | | 8 |
| 1.0 | | 1 | Large tank | aid_fdb_large-tank.iam | | | 9 |
| 1.0 | | 1 | Large tank | aid_fdb_large-tank.ipn | | | 10 |
| 1.1 | | 1 | Large tank | aid_fdb_pvc-large-tank.ipt | Production | 1000 lts. Plastic, high-density polythene.(HDPE) water tanks, HDPE | 11 |
| 1.2 | | 1 | Female fitting pvc | aid_fdb_female-fitting-pvc4.ipt | Standard | Female fitting pvc, fitting pvc 4plg, PVC piping | |
| 1.3 | | 1 | Female fitting short | aid_fdb_female-fitting-short-pvc4.ipt | Production | Fitting pvc 4 plg, PVC Piping | 12 |
| 1.4 | | 2 | Male fitting | aid_fdb_male-fitting-pvc4.ipt | Standard | Male fitting, fitting pvc 4", PVC piping | |
| 1.5 | | 1 | Pvc pipe 4plg x 450 | aid_fdb_pvc-pipe4x450.ipt | Production | PVC piping | 13 |
| 1.6 | | 4 | Rubber washers 4plg | aid_fdb_rubber-washers4.ipt | Production | thick 3 mm, Rubber | 14 |
| 2.0 | | 1 | Pvc small tank | aid_fdb_pvc-small-tank.ipt | Production | 750 lts. Plastic, high-density polythene.(HDPE) water tanks, HDPE | 15 |
| 3.0 | | 1 | Feedstock Inlet pipe | aid_fdb_feedstock-Inlet-pipe.iam | | | 16 |
| 3.0 | | 1 | Feedstock Inlet pipe | aid_fdb_feedstock-Inlet-pipe.ipn | | | 17 |
| 3.1 | | 1 | Pvc tee | aid_fdb_pvc-tee4.ipt | Standard | Pvc tee, D: 4 inch, PVC piping | |
| 3.2 | | 2 | Pvc pipe 4" x 150 mm | aid_fdb_pvc-pipe4x150.ipt | Production | PVC piping | 18 |
| 3.3 | | 1 | Male fitting | aid_fdb_male-fitting-pvc4.ipt | Standard | Male fitting, fitting pvc 4", PVC piping | |
| 3.4 | | 1 | Pvc plug | aid_fdb_pvc-plug4.ipt | Standard | Pvc plug, fitting pvc 4", PVC piping | |
| 3.5 | | 1 | Pvc pipe 4" x 950 mm | aid_fdb_pvc-pipe4x950.ipt | Production | PVC piping | 19 |
| 3.6 | | 1 | Metal funnel | aid_fdb_metal-funnel4.ipt | Production | sheet of scrap metal 115 x 35cm, steel C45 | 20 |
| 4.0 | | 1 | Residue outlet | aid_fdb_residue-outlet.iam | | | 21 |
| 4.0 | | 1 | Residue outlet | aid_fdb_residue-outlet.ipn | | | 22 |

| | | | | | |
|---|--|---|-------------|--------------|-----------|
| PROJECT | | CREATED BY | APPROVED BY | DATE | VERSION |
| Floating Dome Biodigester | | D.MOSQUERA | D. JAEGER | 02-06-21 | 1.0 |
| PART NAME | | FILE NAME | | | PART CODE |
| PART LIST | | | | | B1 |
| DEVELOPED BY | | REDESIGNED BY | | DOC. TYPE | MATERIAL |
| | |  OPEN SOURCE ECOLOGY GERMANY | | PART LIST | |
| Appropriate Infrastructure Development Group | | | | OHO e.V. | |
| | | | | CC-BY-SA 4.0 | SHEET |
| | | | | | 4 /40 |


PART LIST

| POS | POS.OLD | QTY | PART NAME | FILE NAME | PART TYP | SPECIFICATIONS | SHEET |
|-----|---------|-------|-----------------------------|---|------------|---|-------|
| 4.1 | | 1 | Pvc pipe 4" x 150 mm | aid_fdb_pvc-pipe4x150.ipt | Production | PVC piping | 23 |
| 4.2 | | 1 | Pvc elbow | aid_fdb_pvc-elbow4.ipt | Standard | Pvc elbow, fitting pvc 4", PVC piping | |
| 4.3 | | 1 | Pvc pipe 4" x 250 mm | aid_fdb_pvc-pipe4x250.ipt | Production | PVC piping | 24 |
| 5.0 | | 1 | Limiting structure | aid_fdb_limiting-structure.iam | | | 25 |
| 5.0 | | 1 | Limiting structure | aid_fdb_limiting-structure.ipn | | | 26 |
| 5.1 | | 1 | Ring iron | aid_fdb_ring-iron.ipt | Production | Plet iron 25 x 3 mm, Steel C45 | 27 |
| 5.2 | | 4 | pipe 1/2" pvc lateral | aid_fdb_pipe-1-2-pvc-lateral.ipt | Production | PVC piping | 28 |
| 5.3 | | 2 | Pipe 1/2 pvc lateral 2 | aid_fdb_pipe-1-2-pvc-lateral2.ipt | Production | PVC piping | 29 |
| 5.4 | | 2 | Pipe 1/2 pvc down | aid_fdb_pipe-1-2-pvc-down.ipt | Production | PVC piping | 30 |
| 5.5 | | 4 | Elbow A1 1/2 | Elbow A1 1/2 | Standard | Elbow A1 1/2, PVC piping | |
| 5.6 | | 4 | Flat iron | aid_fdb_flat-iron.ipt | Production | Steel C45 | 31 |
| 5.7 | | 6 | Bolt M6 x 25 | aid_fdb_bolt-M6x1.ipt | Standard | Bolt M6 x 25, Steel C45 | |
| 5.8 | | 6 | Nut 6M x 1 | aid_fdb_nut-M6.ipt | Standard | Nut 6M x 1, Steel C45 | |
| 6.0 | | 1 | Gas outlet | aid_fdb_gas-outlet.iam | | | 32 |
| 6.0 | | 1 | Gas outlet | aid_fdb_gas-outlet.ipn | | | 33 |
| 6.1 | | 1 | Coupler pvc 1 1/2x3/4 | aid_fdb_coupler-pvc1-1-2x3-4.ipt | Standard | Coupler pvc 1 1/2x3/4, PVC piping | |
| 6.2 | | 1 | Reducer male female 3/4x1/2 | aid_fdb_reducer-male-female-3-4x1-2.ipt | Standard | Reducer male female 3/4x1/2, PVC piping | |
| 6.3 | | 1 | Adaptor hose 1/2 | | Standard | Adaptor hose 1/2, PVC piping | |
| 6.4 | | 3 mts | 1/2" Flexible hose | aid_fdb_1-2flexible-hose.ipt | Standard | 1/2" Flexible hose, Rubber | |
| 6.5 | | 2 | 1/2 hose clamp | aid_fdb_1-2hose-clamp.ipt | Standard | 1/2 hose clamp | |
| 7.0 | | 1 | Gas burner | aid_fdb_gas-burner.iam | | | 34 |
| 7.0 | | 1 | Gas burner | aid_fdb_gas-burner.ipn | | | 35 |
| 7.1 | | 1 | Shut off valve 1/2" | aid_fdb_shut-off-valve.ipt | Standard | Shut off valve 1/2", Shut off valve 1/2", Bronze | |
| 7.2 | | 1 | Burner plate | aid_fdb_burner-plate.ipt | Production | Steel C45 | 36 |
| 7.3 | | 1 | Burner | aid_fdb_burner.ipt | Production | Steel C45 | 37 |
| 7.4 | | 4 | Tubular iron D:25x500 | aid_fdb_tubular-iron-D25x500.ipt | Production | Piping Iron, ASTM A36 | 38 |
| 7.5 | | 11 | Iron bar D:15 x 300 | aid_fdb_iron-bar-D15x300.ipt | Production | Iron bar D:15, Steel C45 | 39 |
| 7.6 | | 2 | Angle 25 x 25 x 3 | aid_fdb_angle25.ipt | Production | rolled steel angle, ASTM A36 | 40 |

| | | | | | |
|---|--|---|-------------|--------------|-----------|
| PROJECT | | CREATED BY | APPROVED BY | DATE | VERSION |
| Floating Dome Biodigestor | | D.MOSQUERA | D. JAEGER | 02-06-21 | 1.0 |
| PART NAME | | FILE NAME | | | PART CODE |
| PART LIST | | | | | B2 |
| DEVELOPED BY | | REDESIGNED BY | | DOC. TYPE | MATERIAL |
| | |  OPEN SOURCE ECOLOGY GERMANY | | PART LIST | |
| Appropriate Infrastructure Development Group | | | | OHO e.V. | |
| | | | | CC-BY-SA 4.0 | SHEET |
| | | | | | 5 /40 |

TECHNICAL NOTES

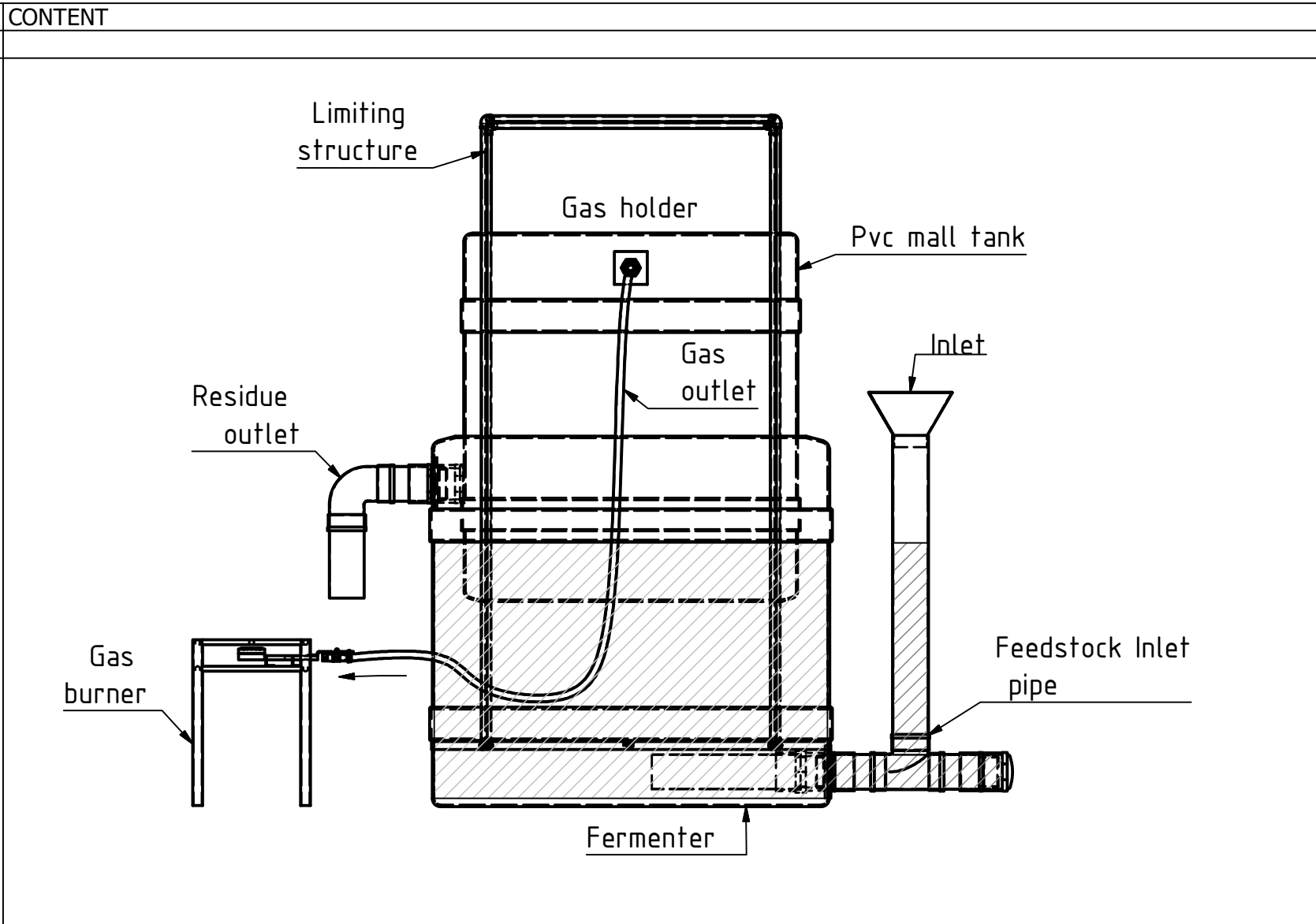
| NOTES | CONTENT |
|---------------------------|---|
| GENERAL NOTES | |
| Metal structure treatment | Iron structures should be painted to prevent rust and improve equipment life. - Remove loose rust with a wire brush, sandpaper or chemical rust remover. - If applicable, sand areas where paint is chipping until surface is smooth. - Remove dust or oil with a degreaser or denatured alcohol. - Prime surface to protect against rust and corrosion |
| ... | ... |
| ... | ... |


| | | | | | |
|---|---|---------------|-------------|----------|-----------|
| PROJECT | | CREATED BY | APPROVED BY | DATE | VERSION |
| Floating Dome Biodigestor | | D.MOSQUERA | D. JAEGER | 02-06-21 | 1.0 |
| PART NAME | | FILE NAME | | | PART CODE |
| TECH NOTES | | | | | C1 |
| DEVELOPED BY | REDESIGNED BY | DOC. TYPE | MATERIAL | QUANTITY | |
| Appropriate Infrastructure Development Group |  OPEN SOURCE ECOLOGY GERMANY | TECH NOTES | | | |
| | | LICENCE | SCALE | SHEET | |
| | OHO e.V. | CC-BY-SA 4.0 | | 6 /40 | |

TECHNICAL NOTES

NOTES
DIAGRAM

DESCRIPTION




| | | | | | | | | | |
|--|--|------------|--|-------------|--|--------------|--|-----------|--|
| PROJECT | | CREATED BY | | APPROVED BY | | DATE | | VERSION | |
| Floating Dome Biodigester | | D.MOSQUERA | | D. JAEGER | | 02-06-21 | | 1.0 | |
| PART NAME | | | | FILE NAME | | | | PART CODE | |
| TECH NOTES | | | | | | | | C2 | |
| DEVELOPED BY | | | REDESIGNED BY | | | DOC. TYPE | | MATERIAL | |
| | | | | | | TECH NOTES | | | |
| Appropriate Infrastructure Development Group | | |  OPEN SOURCE ECOLOGY GERMANY | | | LICENCE | | SCALE | |
| | | | OHO e.V. | | | CC-BY-SA 4.0 | | SHEET | |
| | | | | | | | | 7 / 40 | |

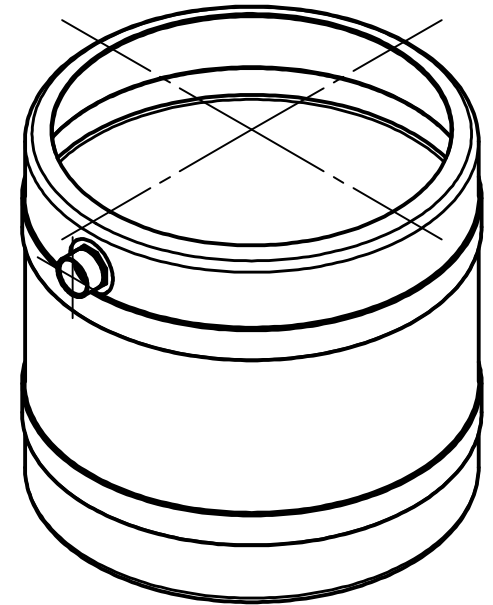
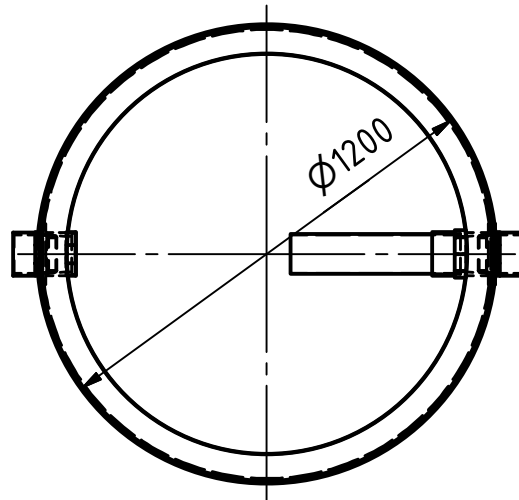
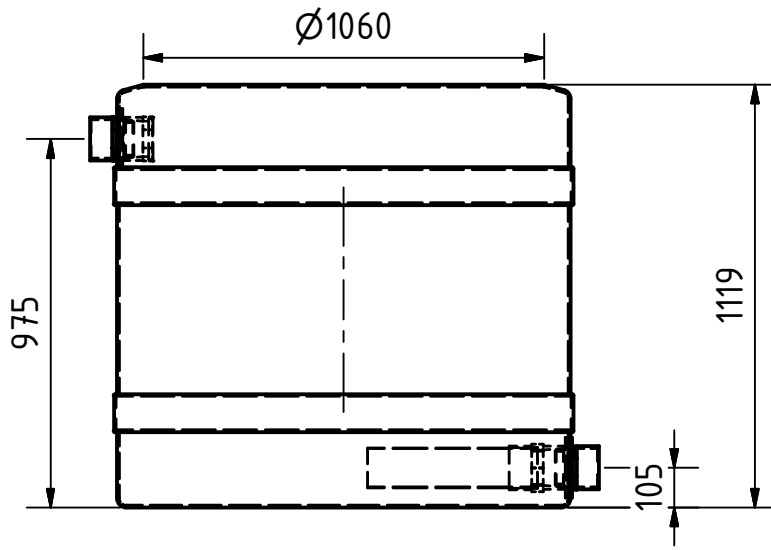
TECHNICAL NOTES


NOTES

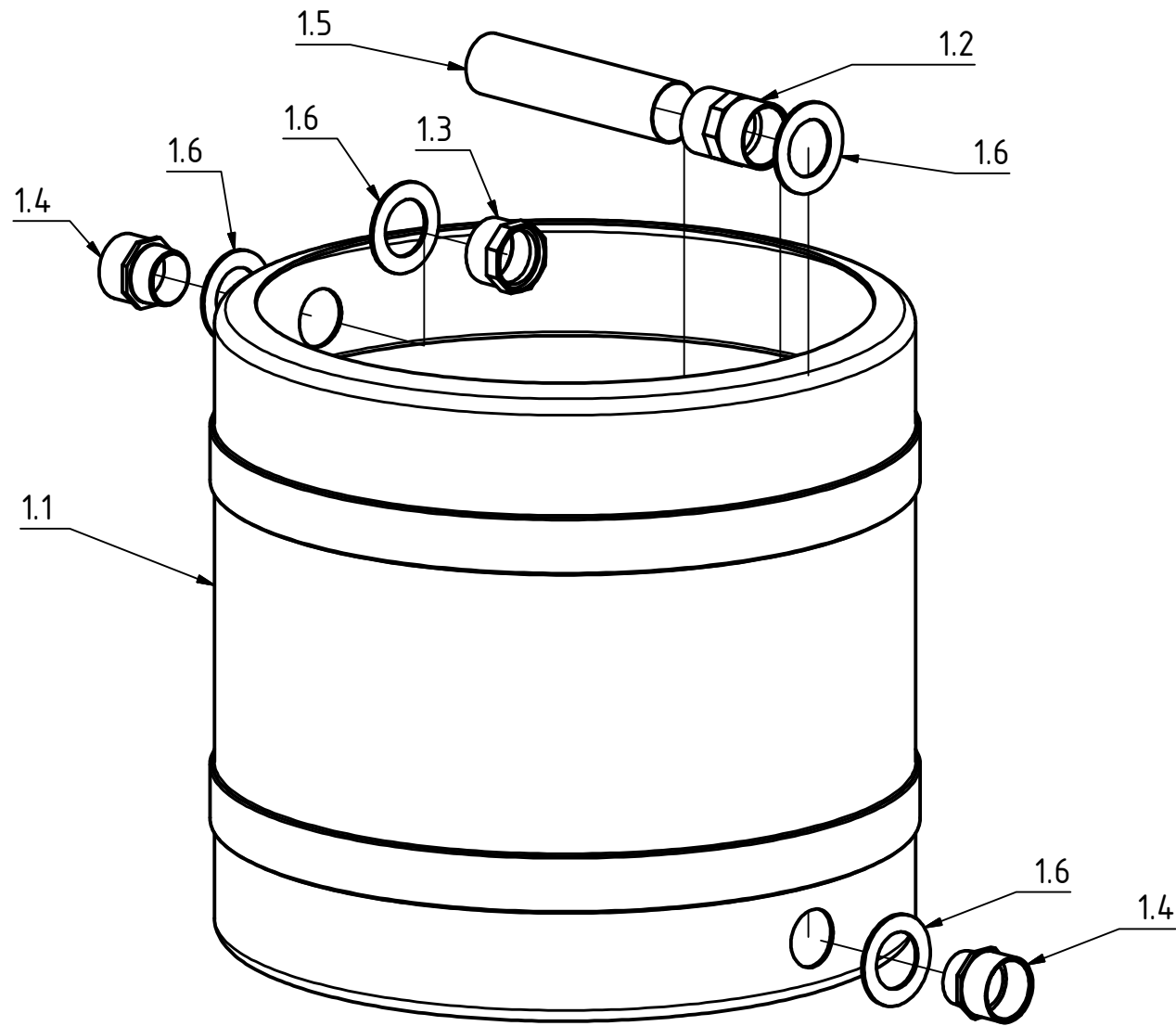
CONTENT

OTHER NOTES

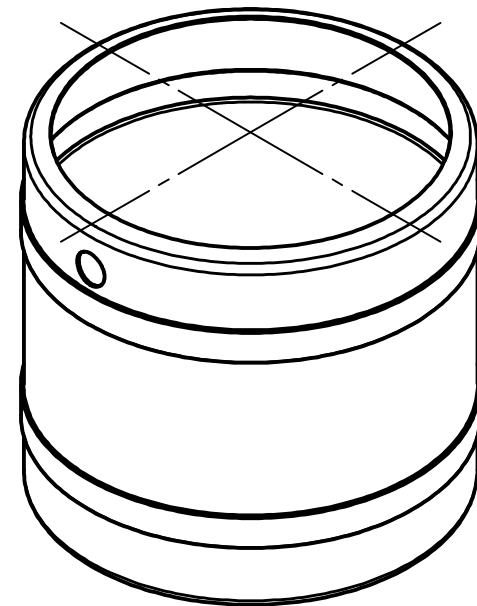
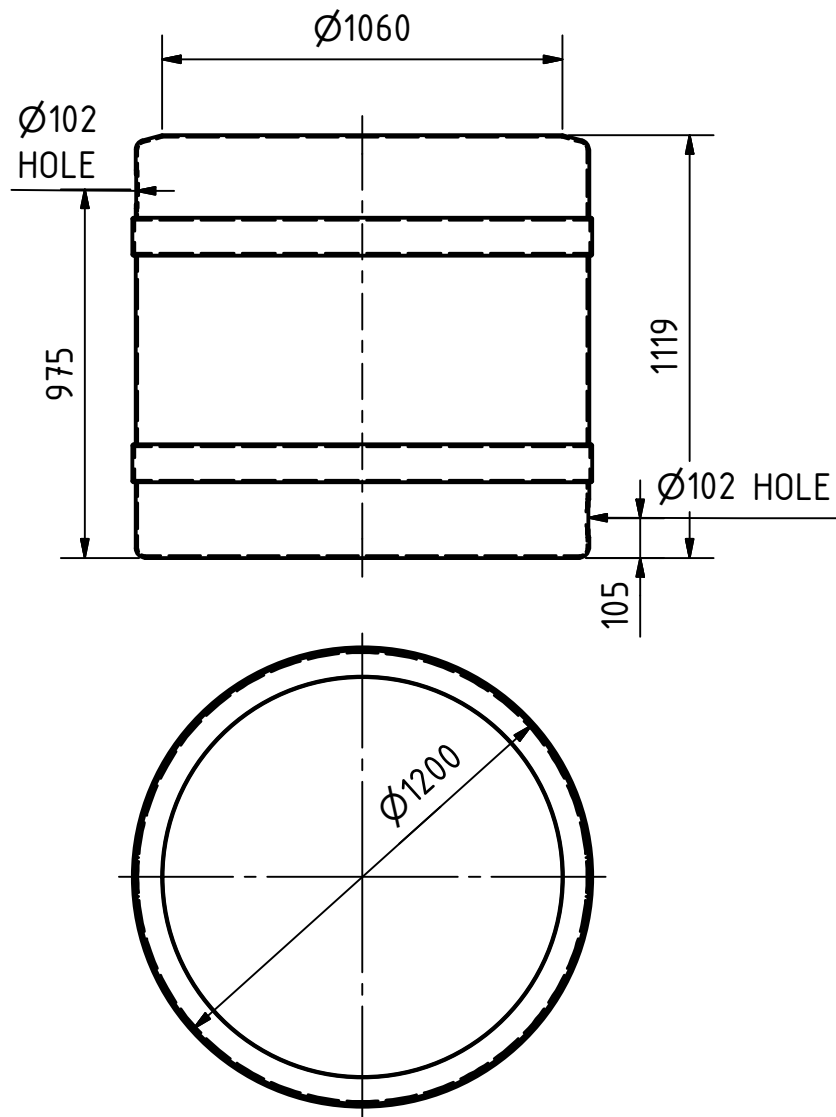
| | | | | | |
|---|--|---|-------------|--------------|-----------|
| PROJECT | | CREATED BY | APPROVED BY | DATE | VERSION |
| Floating Dome Biodigestor | | D.MOSQUERA | D. JAEGER | 02-06-21 | 1.0 |
| PART NAME | | FILE NAME | | | PART CODE |
| TECH NOTES | | | | | C3 |
| DEVELOPED BY | | REDESIGNED BY | | DOC. TYPE | MATERIAL |
| | | | | TECH NOTES | |
| Appropriate Infrastructure Development Group | |  OPEN SOURCE ECOLOGY GERMANY | | LICENCE | SCALE |
| | | OHO e.V. | | CC-BY-SA 4.0 | SHEET |
| | | | | | 8 /40 |




| | | | | | |
|---|---|------------------------|-------------|----------|-----------|
| PROJECT | | CREATED BY | APPROVED BY | DATE | VERSION |
| Floating Dome Biodigester | | D.MOSQUERA | D. JAEGER | 02-06-21 | 1.0 |
| PART NAME | | FILE NAME | | | PART CODE |
| Large tank | | aid_fdb_large-tank.iam | | | 1.0 |
| DEVELOPED BY | REDESIGNED BY | DOC. TYPE | MATERIAL | QUANTITY | |
| Appropriate Infrastructure Development Group |  OPEN SOURCE ECOLOGY GERMANY | ASSEMBLY | | 1 | |
| | | LICENCE | SCALE | SHEET | |
| | OHO e.V. | CC-BY-SA 4.0 | 1:20 | 9 / 40 | |

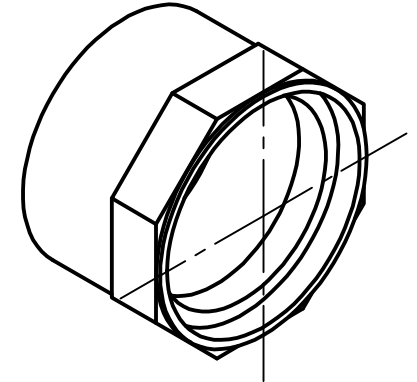
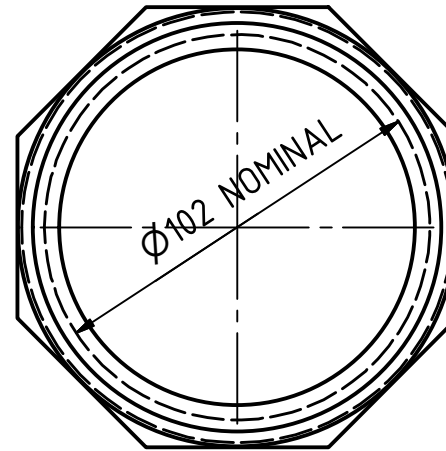
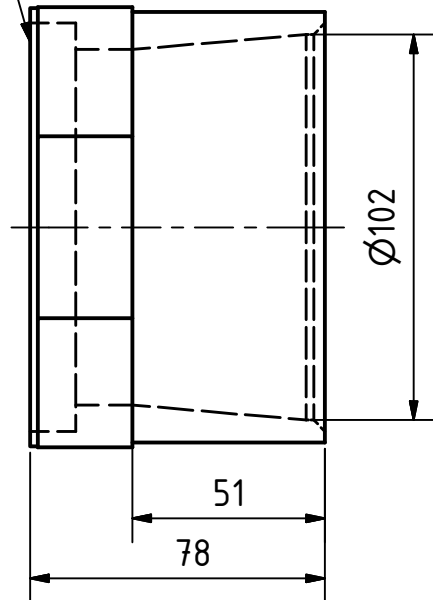



| | | | | |
|--|------------------------|--------------|----------|----------|
| PROJECT | CREATED BY | APPROVED BY | DATE | VERSION |
| Floating Dome Biodigester | D.MOSQUERA | D. JAEGER | 02-06-21 | 1.0 |
| PART NAME | FILE NAME | PART CODE | | |
| Large tank | aid_fdb_large-tank.ipn | 1.0 | | |
| DEVELOPED BY | REDESIGNED BY | DOC. TYPE | MATERIAL | QUANTITY |
| Appropriate Infrastructure Development Group | OHO e.V. | ASSEMBLY | | 1 |
| | | LICENCE | SCALE | SHEET |
| | | CC-BY-SA 4.0 | 1:15 | 10 /40 |

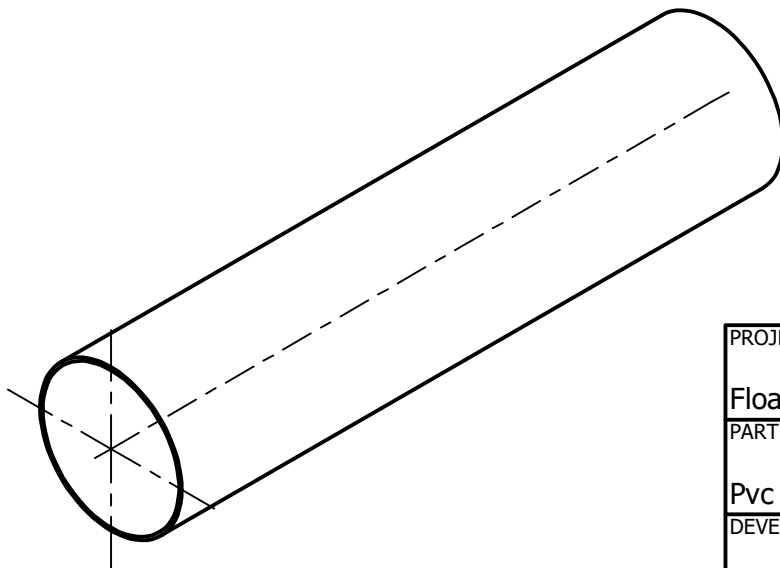
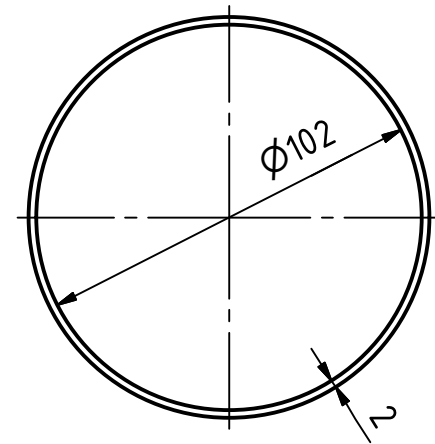
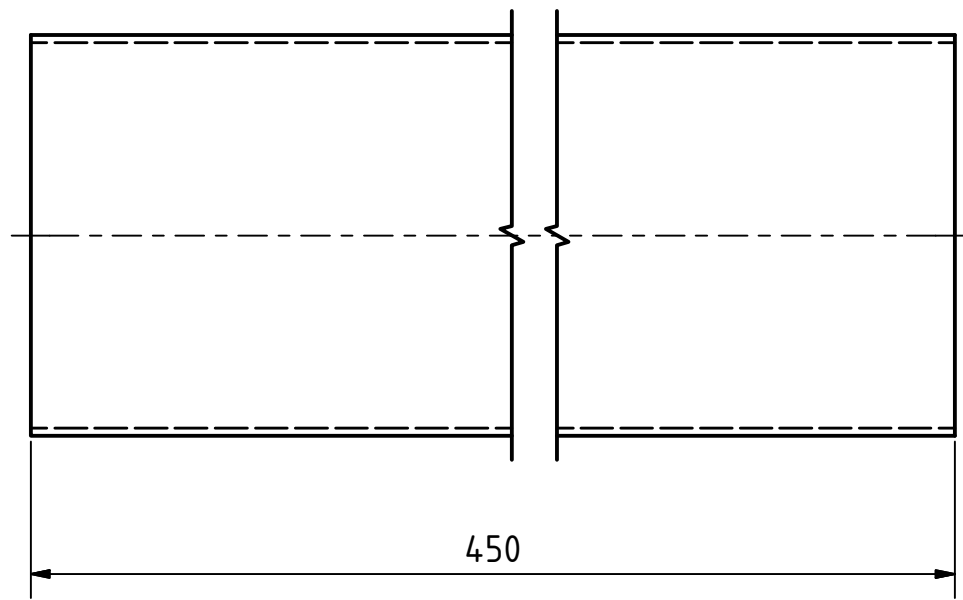



| | | | | |
|---|---|--------------|----------|-----------|
| PROJECT | CREATED BY | APPROVED BY | DATE | VERSION |
| Floating Dome Biodigester | D.MOSQUERA | D. JAEGER | 02-06-21 | 1.0 |
| PART NAME | FILE NAME | | | PART CODE |
| Large tank | aid_fdb_pvc-large-tank.ipt | | | 1.1 |
| DEVELOPED BY | REDESIGNED BY | DOC. TYPE | MATERIAL | QUANTITY |
| Appropriate Infrastructure Development Group |  OPEN SOURCE ECOLOGY GERMANY OHO e.V. | PART | HDPE | 1 |
| | | LICENCE | SCALE | SHEET |
| | | CC-BY-SA 4.0 | 1:20 | 11 /40 |

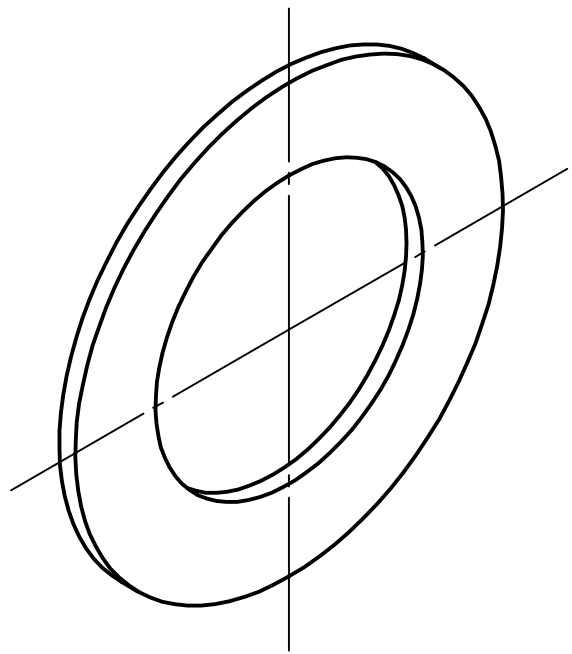
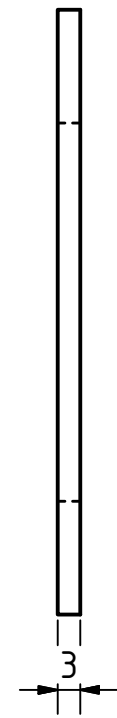
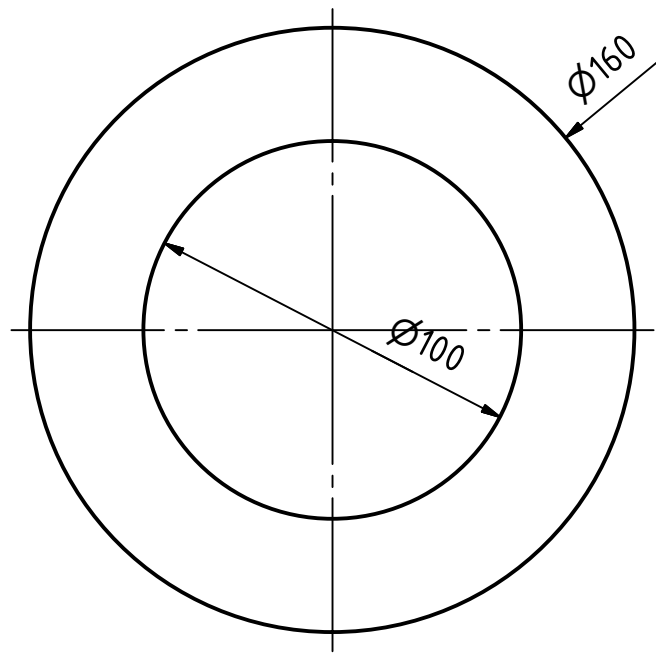
SHORTEN
SO IT DOES NOT COLLIDE
WITH THE INTERNAL TANK




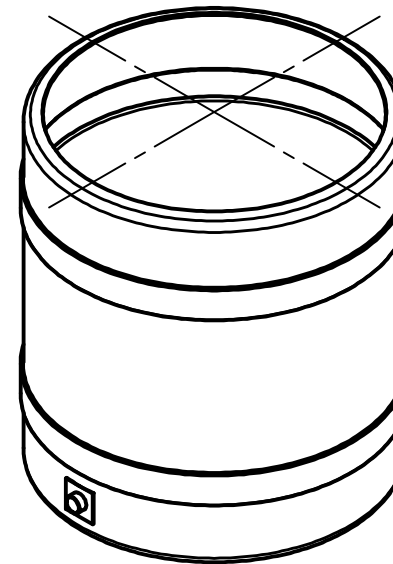
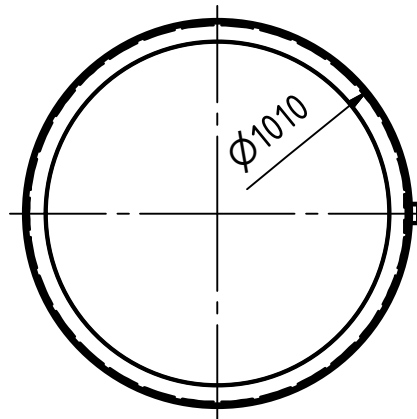
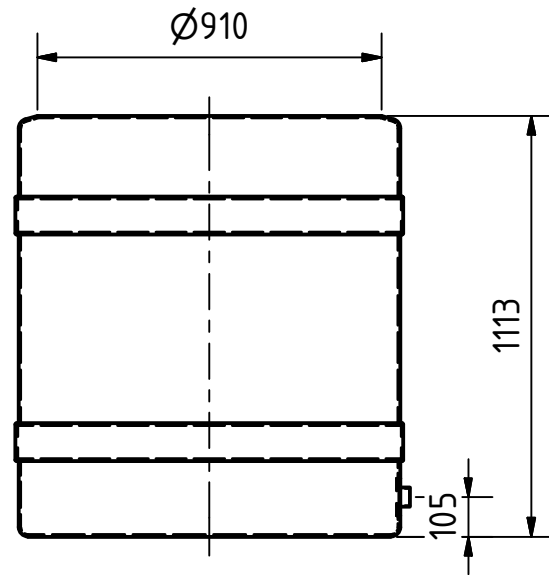
| | | | | | |
|---|---|---------------------------------------|-------------|----------|-----------|
| PROJECT | | CREATED BY | APPROVED BY | DATE | VERSION |
| Floating Dome Biodigester | | D.MOSQUERA | D. JAEGER | 02-06-21 | 1.0 |
| PART NAME | | FILE NAME | | | PART CODE |
| Female fitting short | | aid_fdb_female-fitting-short-pvc4.ipt | | | 1.3 |
| DEVELOPED BY | REDESIGNED BY | DOC. TYPE | MATERIAL | QUANTITY | |
| Appropriate Infrastructure Development Group |  OPEN SOURCE ECOLOGY GERMANY | PART | PVC Piping | 1 | |
| | | LICENCE | SCALE | SHEET | |
| | OHO e.V. | CC-BY-SA 4.0 | 1:5 | 12 /40 | |




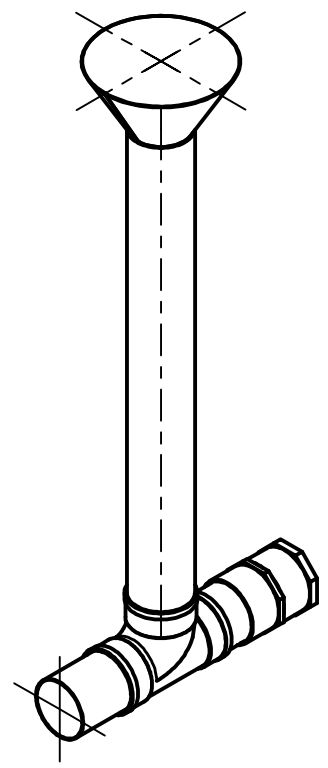
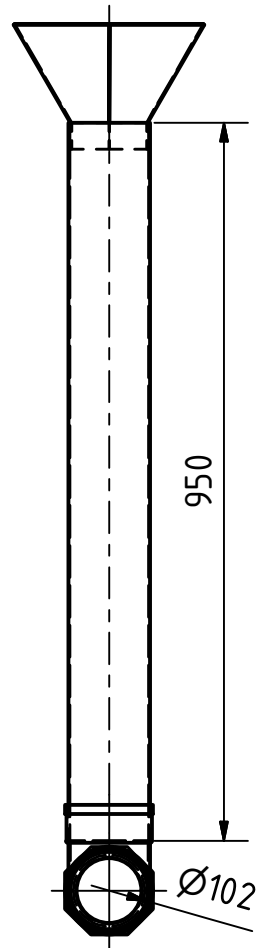
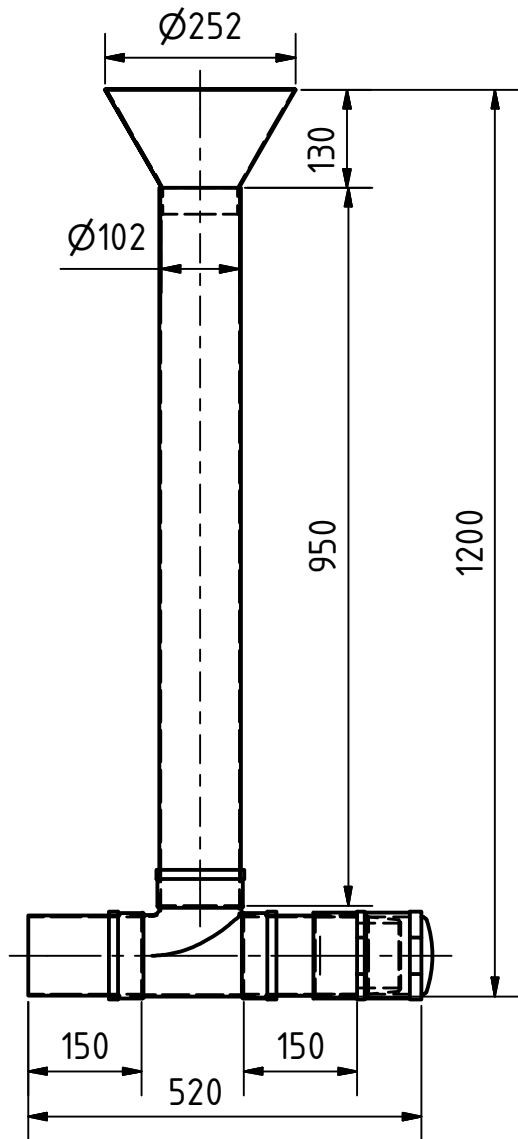
| | | | | | |
|---|--|---|-------------|--------------|------------|
| PROJECT | | CREATED BY | APPROVED BY | DATE | VERSION |
| Floating Dome Biodigestor | | D.MOSQUERA | D. JAEGER | 02-06-21 | 1.0 |
| PART NAME | | FILE NAME | | | PART CODE |
| Pvc pipe 4plg x 450 | | aid_fdb_pvc-pipe4x450.ipt | | | 1.5 |
| DEVELOPED BY | | REDESIGNED BY | | DOC. TYPE | MATERIAL |
| Appropriate Infrastructure Development Group | |  OPEN SOURCE ECOLOGY GERMANY | | PART | PVC piping |
| | | | | LICENCE | SCALE |
| | | OHO e.V. | | CC-BY-SA 4.0 | 1:2 |
| | | | | | 13 /40 |




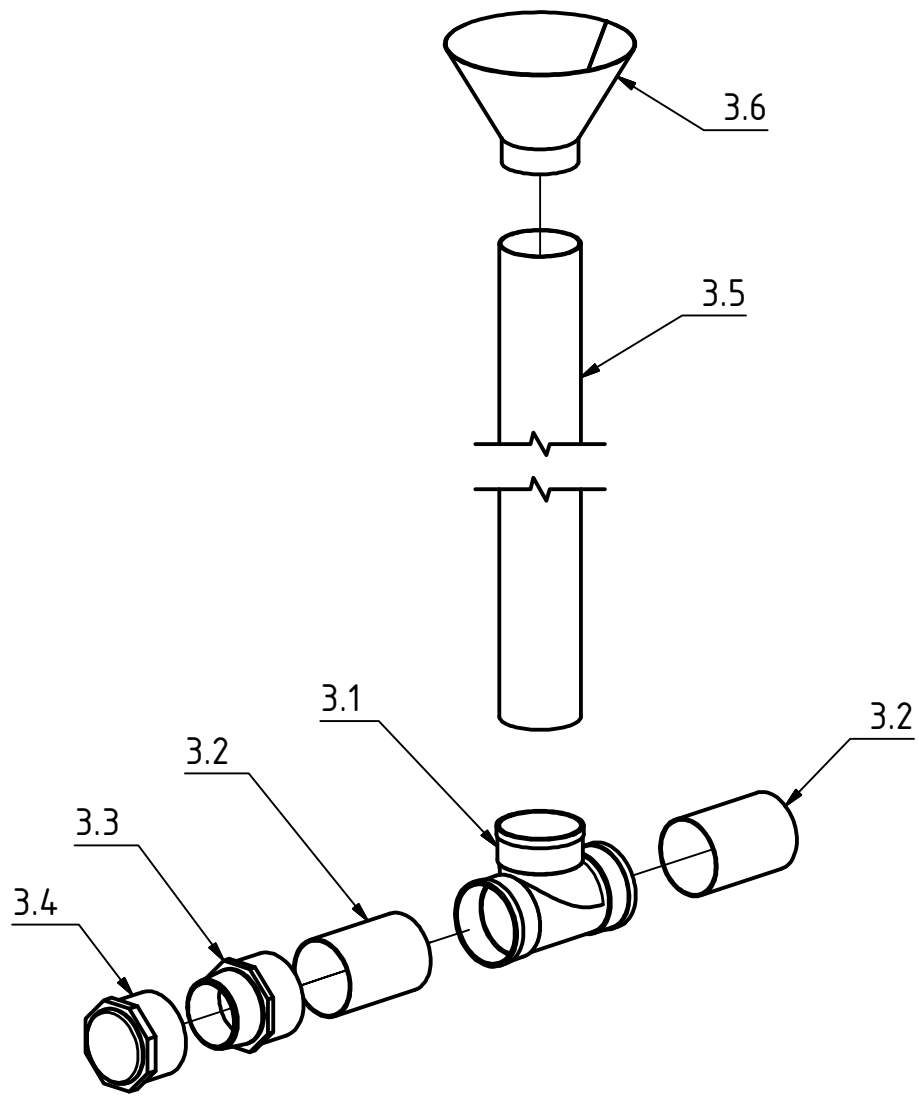
| | | | | | |
|---|--|---|-------------|--------------|-----------|
| PROJECT | | CREATED BY | APPROVED BY | DATE | VERSION |
| Floating Dome Biodigestor | | D.MOSQUERA | D. JAEGER | 02-06-21 | 1.0 |
| PART NAME | | FILE NAME | | | PART CODE |
| Rubber washers 4plg | | aid_fdb_rubber-washers4.ipt | | | 1.6 |
| DEVELOPED BY | | REDESIGNED BY | | DOC. TYPE | MATERIAL |
| Appropriate Infrastructure Development Group | |  OPEN SOURCE ECOLOGY GERMANY | | PART | Rubber |
| | | | | LICENCE | SCALE |
| | | OHO e.V. | | CC-BY-SA 4.0 | 1:2 |
| | | | | | 4 |
| | | | | | SHEET |
| | | | | | 14 /40 |




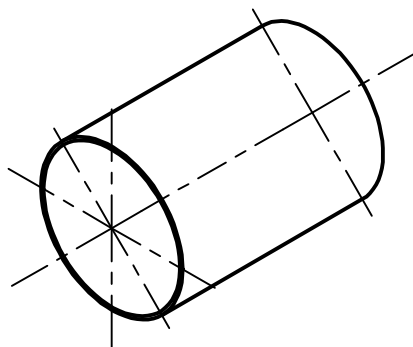
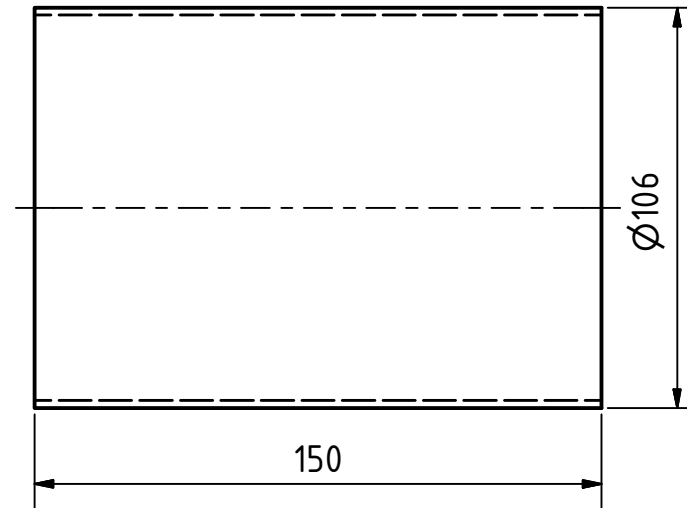
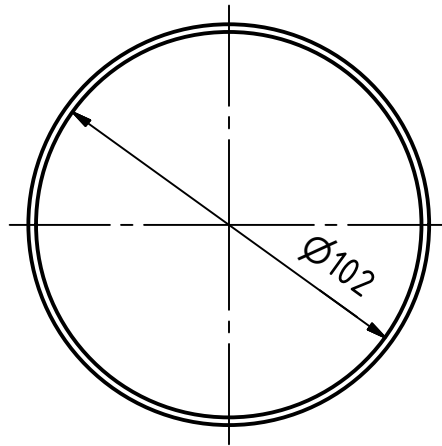
| | | | | | |
|---|---|----------------------------|-------------|----------|-----------|
| PROJECT | | CREATED BY | APPROVED BY | DATE | VERSION |
| Floating Dome Biodigestor | | D.MOSQUERA | D. JAEGER | 02-06-21 | 1.0 |
| PART NAME | | FILE NAME | | | PART CODE |
| Pvc small tank | | aid_fdb_pvc-small-tank.ipt | | | 2.0 |
| DEVELOPED BY | REDESIGNED BY | DOC. TYPE | MATERIAL | QUANTITY | |
| Appropriate Infrastructure Development Group |  OPEN SOURCE ECOLOGY GERMANY | PART | HDPE | 1 | |
| | | LICENCE | SCALE | SHEET | |
| | OHO e.V. | CC-BY-SA 4.0 | 1:20 | 15 /40 | |




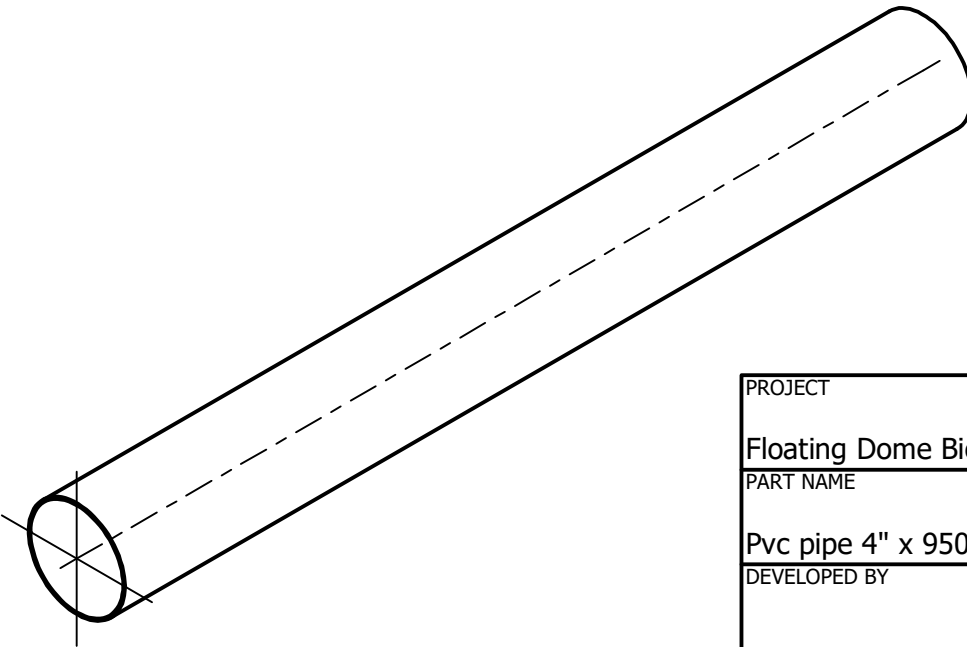
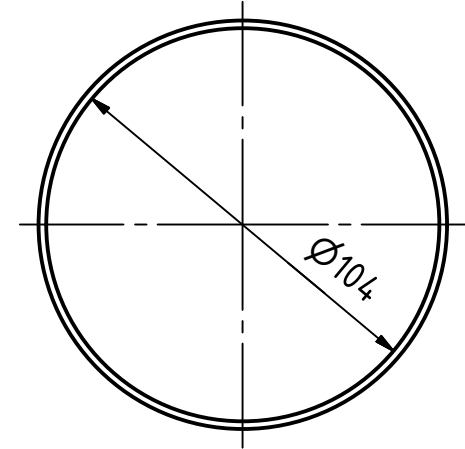
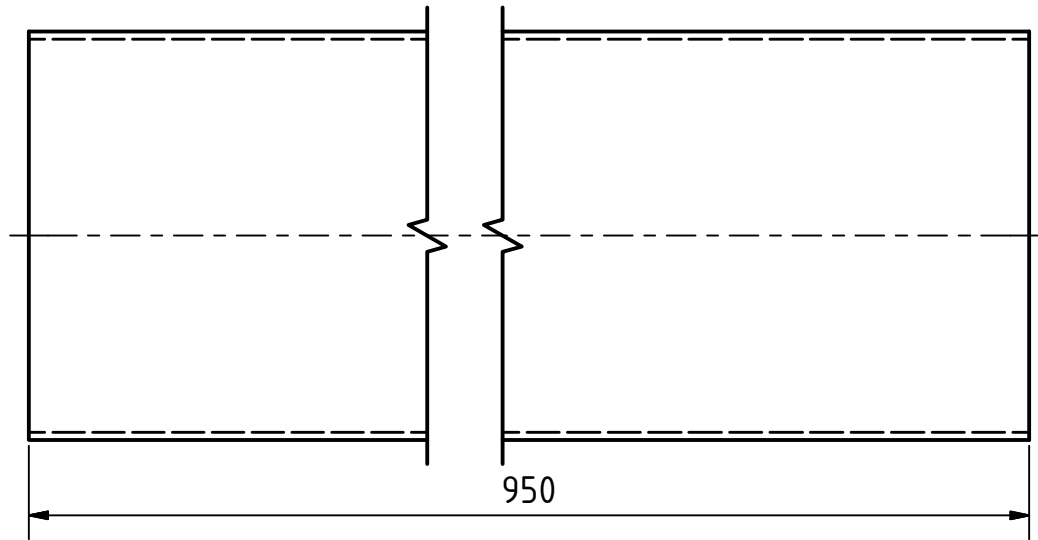
| | | | | | |
|---|---|----------------------------------|-------------|----------|-----------|
| PROJECT | | CREATED BY | APPROVED BY | DATE | VERSION |
| Floating Dome Biodigester | | D.MOSQUERA | D. JAEGER | 02-06-21 | 1.0 |
| PART NAME | | FILE NAME | | | PART CODE |
| Feedstock Inlet pipe | | aid_fdb_feedstock-Inlet-pipe.iam | | | 3.0 |
| DEVELOPED BY | REDESIGNED BY | DOC. TYPE | MATERIAL | QUANTITY | |
| Appropriate Infrastructure Development Group |  OPEN SOURCE ECOLOGY GERMANY | ASSEMBLY | | 1 | |
| | | LICENCE | SCALE | SHEET | |
| | OHO e.V. | CC-BY-SA 4.0 | 1:10 | 16 /40 | |




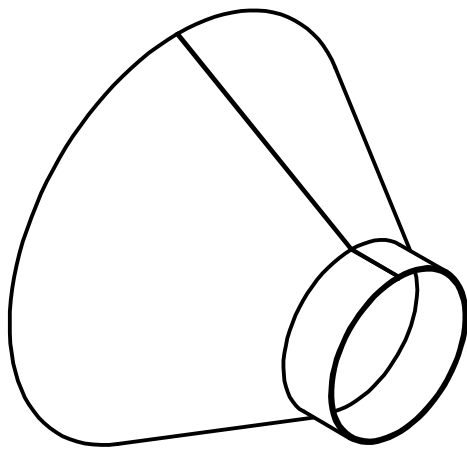
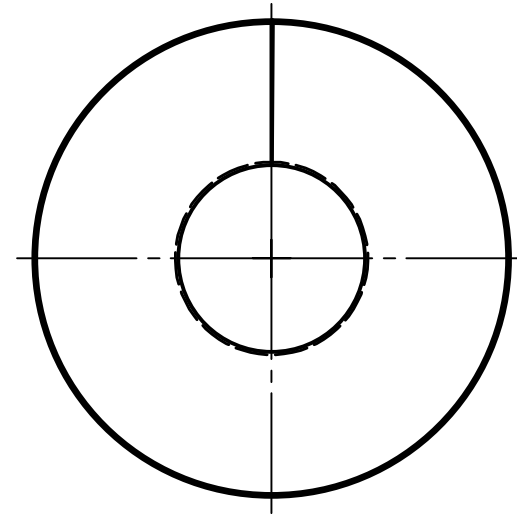
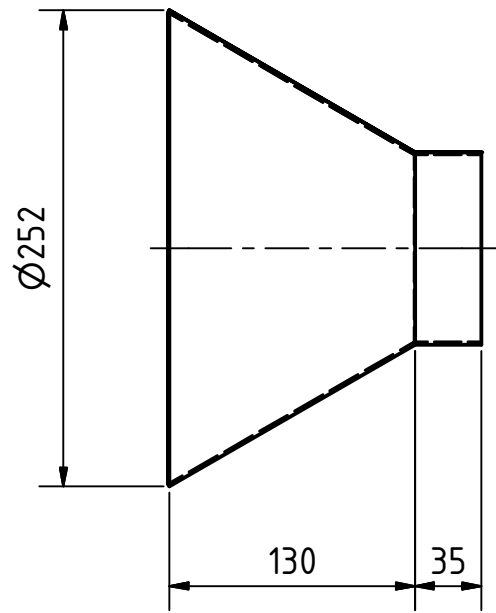
| | | | | |
|---|---|--------------|----------|-----------|
| PROJECT | CREATED BY | APPROVED BY | DATE | VERSION |
| Floating Dome Biodigester | D.MOSQUERA | D. JAEGER | 02-06-21 | 1.0 |
| PART NAME | FILE NAME | | | PART CODE |
| Feedstock Inlet pipe | aid_fdb_feedstock-Inlet-pipe.ipn | | | 3.0 |
| DEVELOPED BY | REDESIGNED BY | DOC. TYPE | MATERIAL | QUANTITY |
| Appropriate Infrastructure Development Group |  OPEN SOURCE ECOLOGY GERMANY OHO e.V. | ASSEMBLY | | 1 |
| | | LICENCE | SCALE | SHEET |
| | | CC-BY-SA 4.0 | 1:20 | 17 /40 |




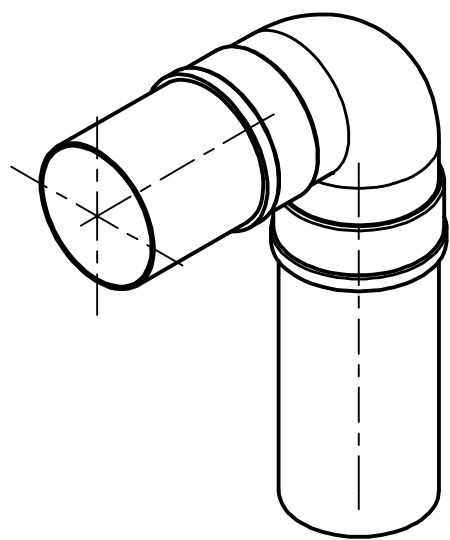
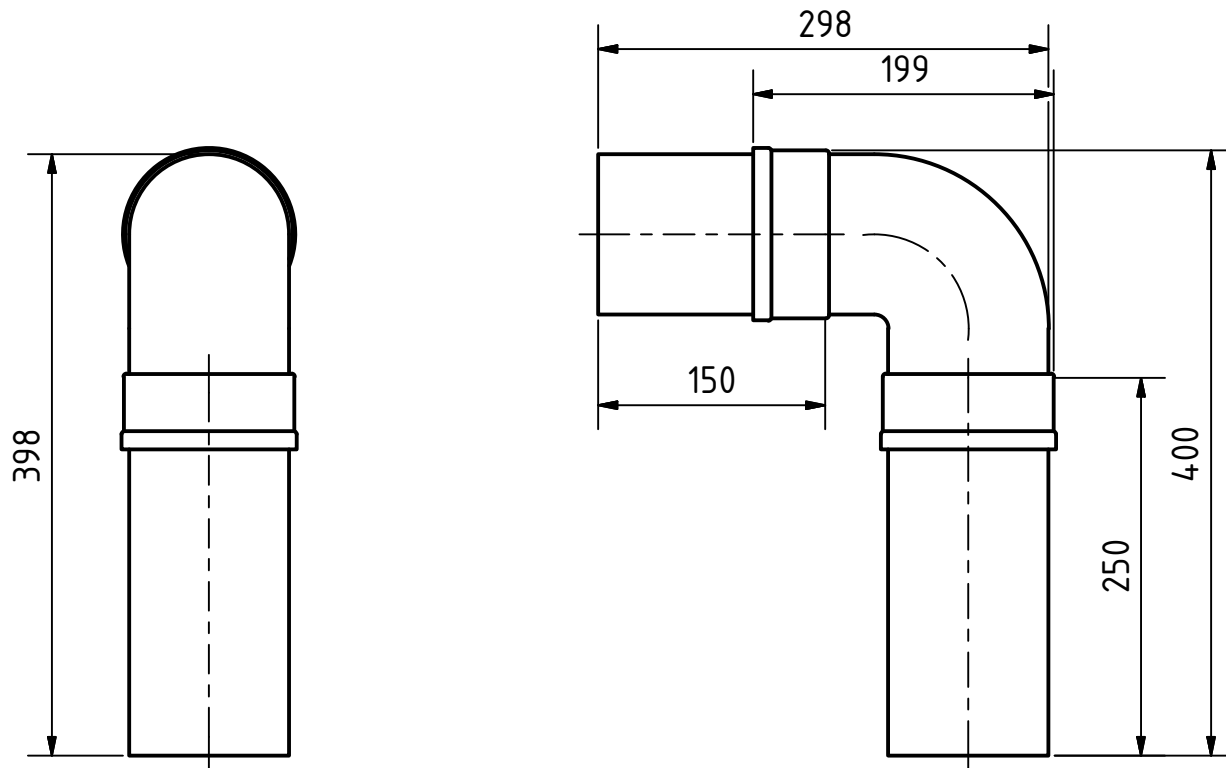
| | | | | | |
|---|--|---|-------------|--------------|------------|
| PROJECT | | CREATED BY | APPROVED BY | DATE | VERSION |
| Floating Dome Biodigester | | D.MOSQUERA | D. JAEGER | 02-06-21 | 1.0 |
| PART NAME | | FILE NAME | | | PART CODE |
| Pvc pipe 4" x 150 mm | | aid_fdb_pvc-pipe4x150.ipt | | | 3.2 |
| DEVELOPED BY | | REDESIGNED BY | | DOC. TYPE | MATERIAL |
| Appropriate Infrastructure Development Group | |  OPEN SOURCE ECOLOGY GERMANY | | PART | PVC piping |
| | | | | LICENCE | SCALE |
| | | OHO e.V. | | CC-BY-SA 4.0 | 1:2 |
| | | | | | 2 |
| | | | | | SHEET |
| | | | | | 18 /40 |




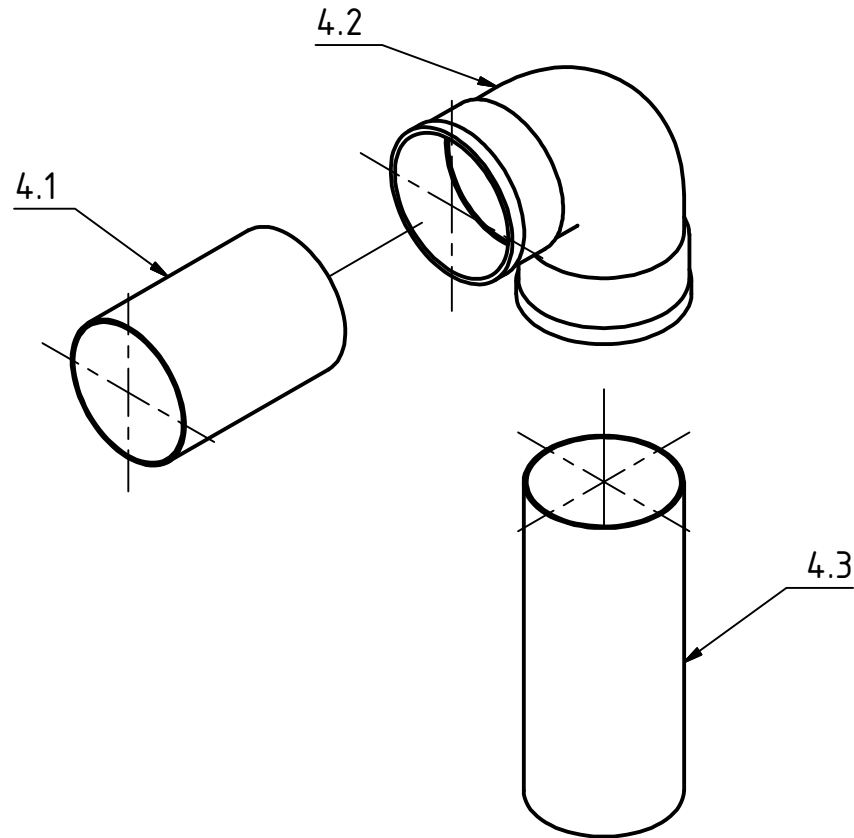
| | | | | |
|---|---|--------------|------------|----------|
| PROJECT | CREATED BY | APPROVED BY | DATE | VERSION |
| Floating Dome Biodigestor | D.MOSQUERA | D. JAEGER | 02-06-21 | 1.0 |
| PART NAME | FILE NAME | PART CODE | | |
| Pvc pipe 4" x 950 mm | aid_fdb_pvc-pipe4x950.ipt | 3.5 | | |
| DEVELOPED BY | REDESIGNED BY | DOC. TYPE | MATERIAL | QUANTITY |
| Appropriate Infrastructure Development Group |  OPEN SOURCE ECOLOGY GERMANY | PART | PVC piping | 1 |
| | | LICENCE | SCALE | SHEET |
| | OHO e.V. | CC-BY-SA 4.0 | 1:2 | 19 /40 |




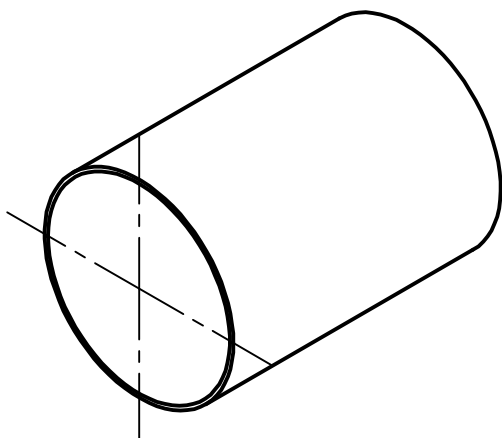
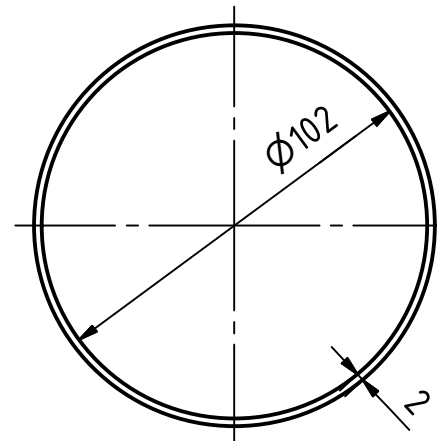
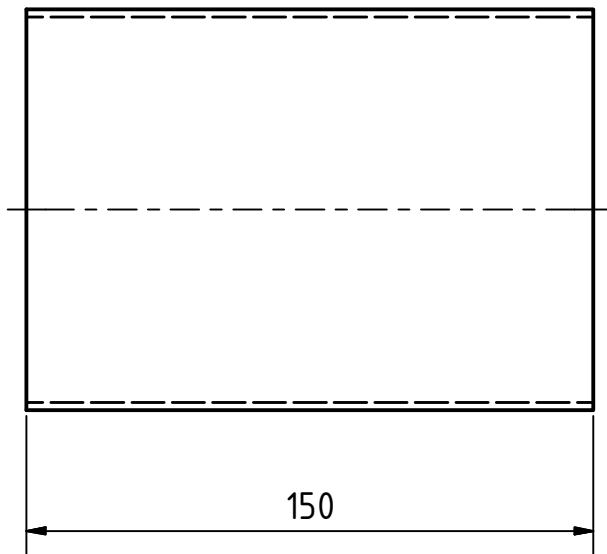
| | | | | |
|---|---|--------------|-----------|-----------|
| PROJECT | CREATED BY | APPROVED BY | DATE | VERSION |
| Floating Dome Biodigestor | D.MOSQUERA | D. JAEGER | 02-06-21 | 1.0 |
| PART NAME | FILE NAME | | | PART CODE |
| Metal funnel | aid_fdb_metal-funnel4.ipt | | | 3.6 |
| DEVELOPED BY | REDESIGNED BY | DOC. TYPE | MATERIAL | QUANTITY |
| Appropriate Infrastructure Development Group |  OPEN SOURCE ECOLOGY GERMANY | PART | steel C45 | 1 |
| | | LICENCE | SCALE | SHEET |
| | OHO e.V. | CC-BY-SA 4.0 | 1:2 | 20 /40 |




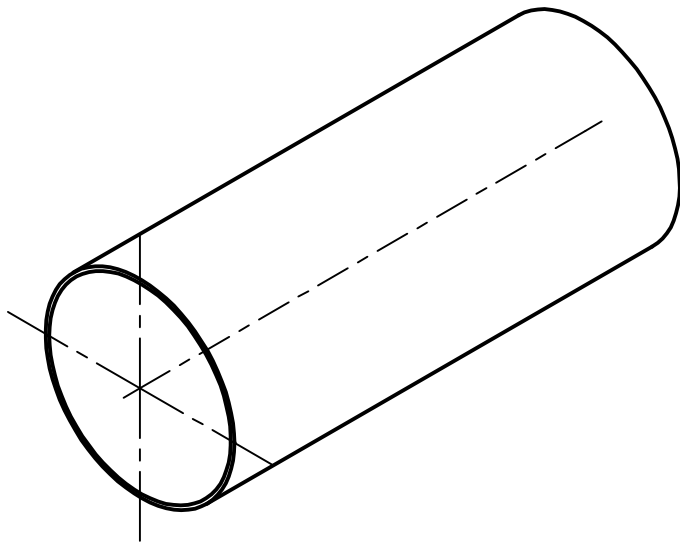
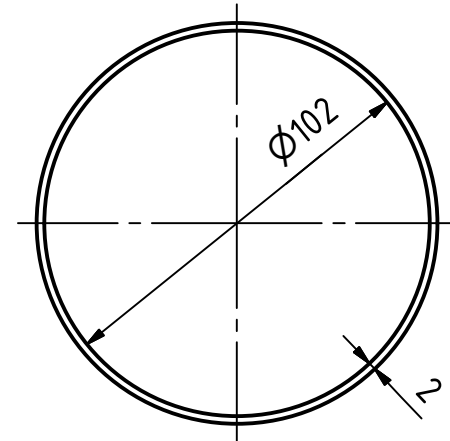
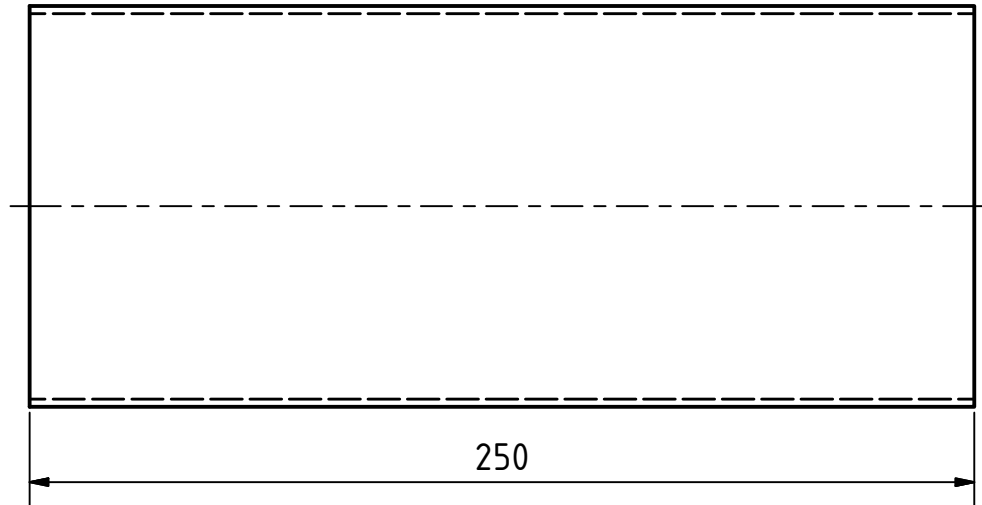
| | | | | | | | | | |
|---|--|---|----------------------------|-------------|--------------|----------|----------|---------|-----------|
| PROJECT | | CREATED BY | | APPROVED BY | | DATE | | VERSION | |
| Floating Dome Biodigstor | | D.MOSQUERA | | D. JAEGER | | 02-06-21 | | 1.0 | |
| PART NAME | | | FILE NAME | | | | | | PART CODE |
| Residue outlet | | | aid_fdb_residue-outlet.iam | | | | | | 4.0 |
| DEVELOPED BY | | REDESIGNED BY | | | DOC. TYPE | | MATERIAL | | QUANTITY |
| Appropriate Infrastructure Development Group | |  OPEN SOURCE ECOLOGY GERMANY | | | ASSEMBLY | | SCALE | | 1 |
| | | | | | LICENCE | | | | SHEET |
| | | OHO e.V. | | | CC-BY-SA 4.0 | | 1:5 | | 21 /40 |




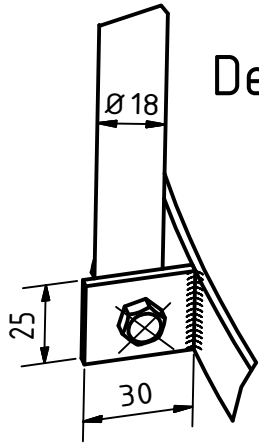
| | | | | | | | | | |
|---|--|---|----------------------------|--------------|--|----------|--|-----------|--|
| PROJECT | | CREATED BY | | APPROVED BY | | DATE | | VERSION | |
| Floating Dome Biodigester | | D.MOSQUERA | | D. JAEGER | | 02-06-21 | | 1.0 | |
| PART NAME | | | FILE NAME | | | | | PART CODE | |
| Residue outlet | | | aid_fdb_residue-outlet.ipn | | | | | 4.0 | |
| DEVELOPED BY | | REDESIGNED BY | | DOC. TYPE | | MATERIAL | | QUANTITY | |
| Appropriate Infrastructure Development Group | |  OPEN SOURCE ECOLOGY GERMANY | | ASSEMBLY | | | | 1 | |
| | | | | LICENCE | | | | SCALE | |
| | | OHO e.V. | | CC-BY-SA 4.0 | | 1:5 | | 22 /40 | |



| | | | | |
|---|---|--------------|------------|----------|
| PROJECT | CREATED BY | APPROVED BY | DATE | VERSION |
| Floating Dome Biodigestor | D.MOSQUERA | D. JAEGER | 02-06-21 | 1.0 |
| PART NAME | FILE NAME | PART CODE | | |
| Pvc pipe 4" x 150 mm | aid_fdb_pvc-pipe4x150.ipt | 4.1 | | |
| DEVELOPED BY | REDESIGNED BY | DOC. TYPE | MATERIAL | QUANTITY |
| Appropriate Infrastructure Development Group |  OPEN SOURCE ECOLOGY GERMANY | PART | PVC piping | 1 |
| | | LICENCE | SCALE | SHEET |
| | OHO e.V. | CC-BY-SA 4.0 | 1:2 | 23 /40 |

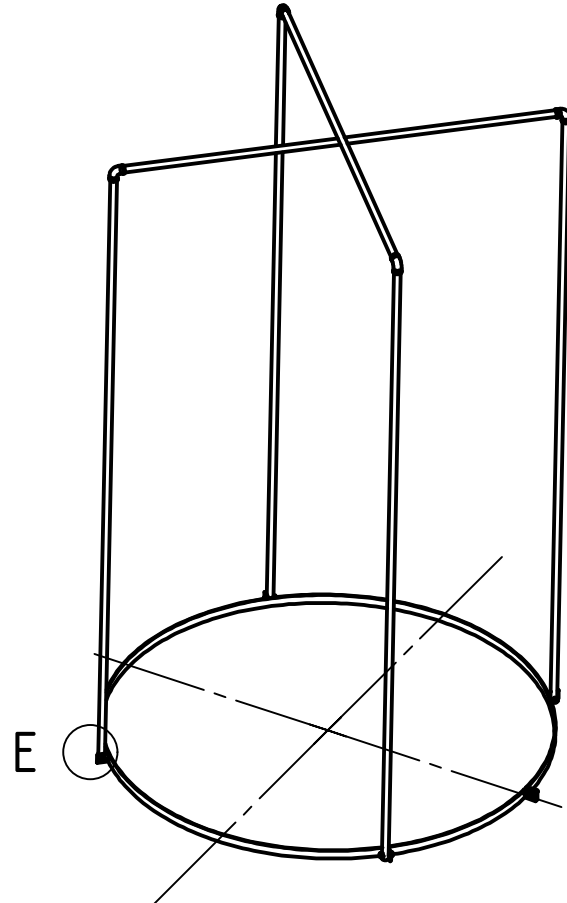
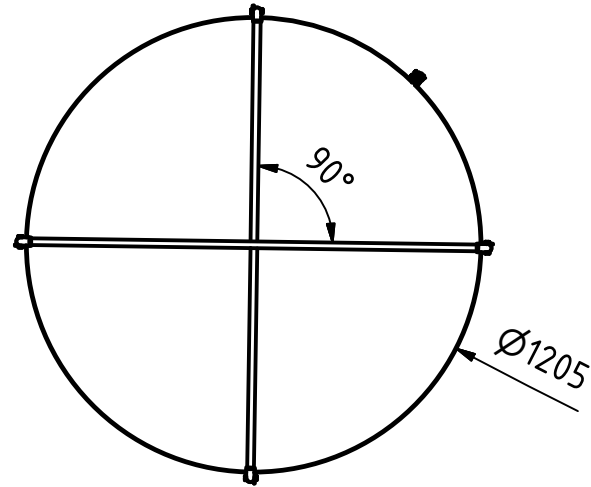


| | | | | |
|---|---|--------------|------------|----------|
| PROJECT | CREATED BY | APPROVED BY | DATE | VERSION |
| Floating Dome Biodigester | D.MOSQUERA | D. JAEGER | 02-06-21 | 1.0 |
| PART NAME | FILE NAME | PART CODE | | |
| Pvc pipe 4" x 250 mm | aid_fdb_pvc-pipe4x250.ipt | 4.3 | | |
| DEVELOPED BY | REDESIGNED BY | DOC. TYPE | MATERIAL | QUANTITY |
| Appropriate Infrastructure Development Group |  OPEN SOURCE ECOLOGY GERMANY | PART | PVC piping | 1 |
| | | LICENCE | SCALE | SHEET |
| | OHO e.V. | CC-BY-SA 4.0 | 1:2 | 24 /40 |

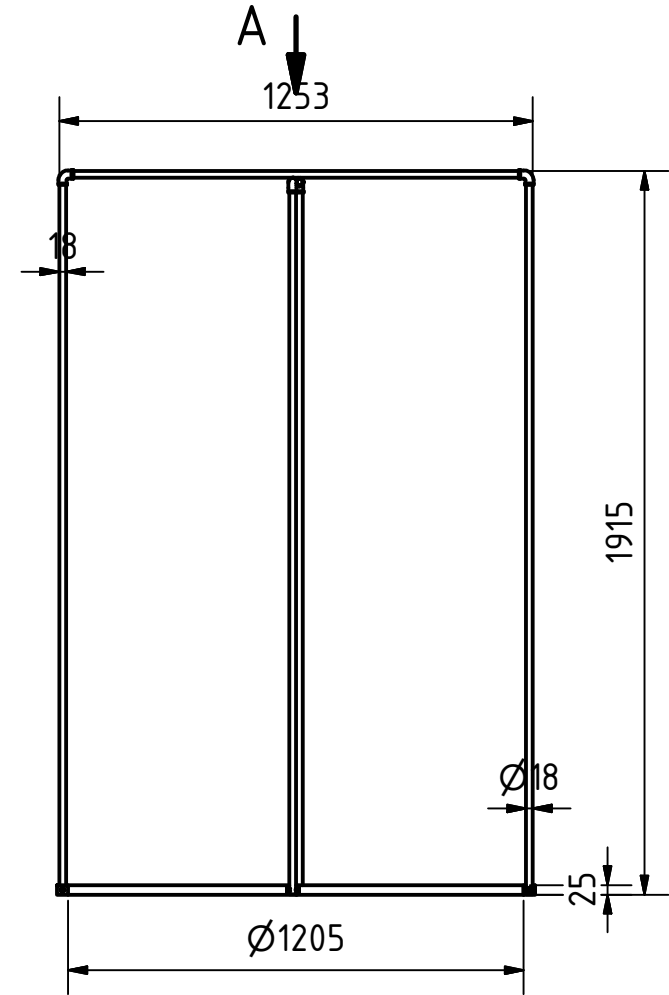


Det.E

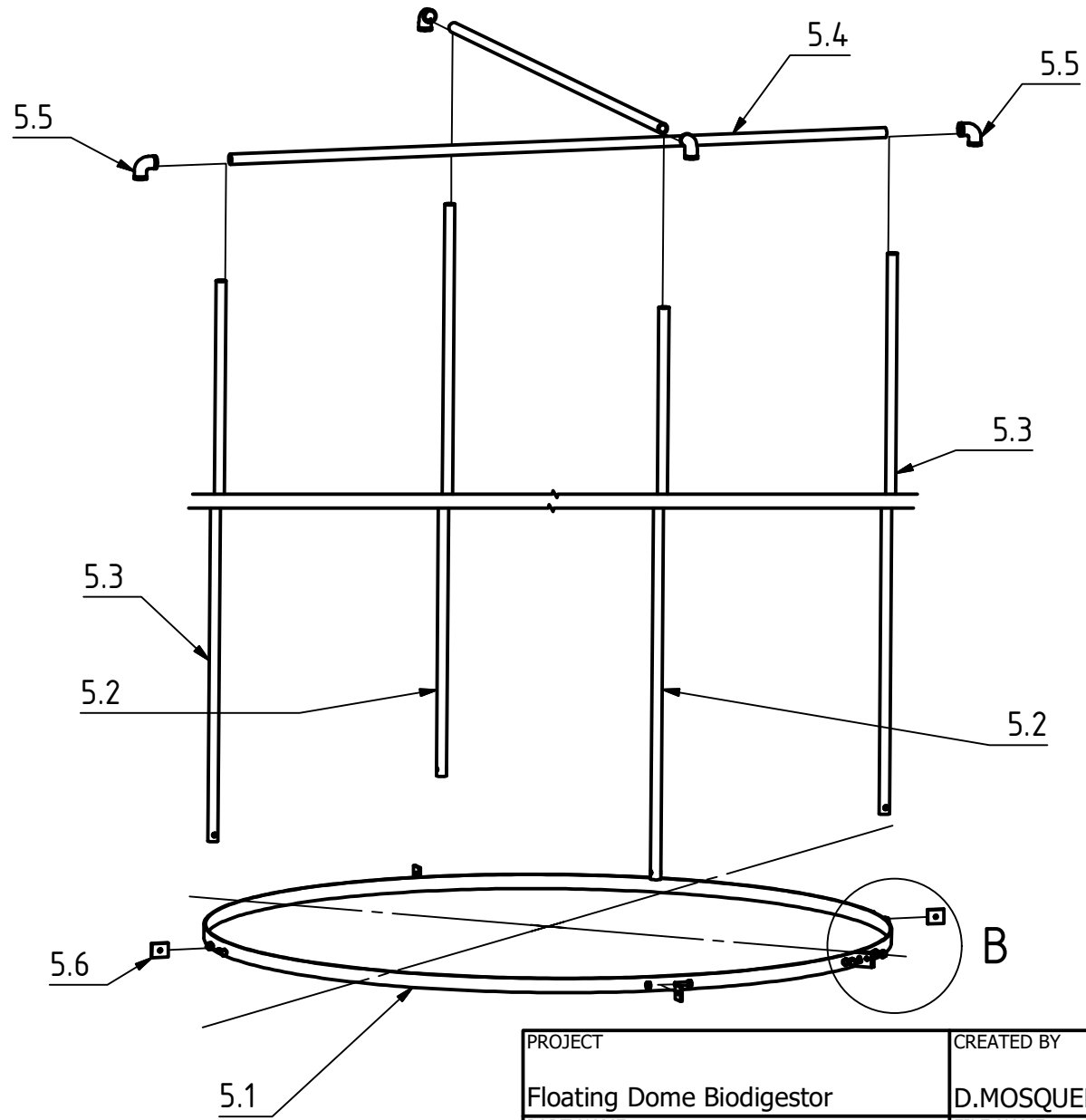
VIEW A



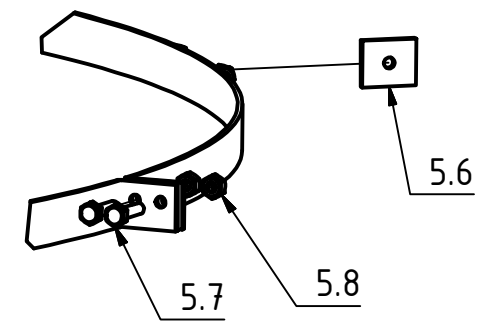
E




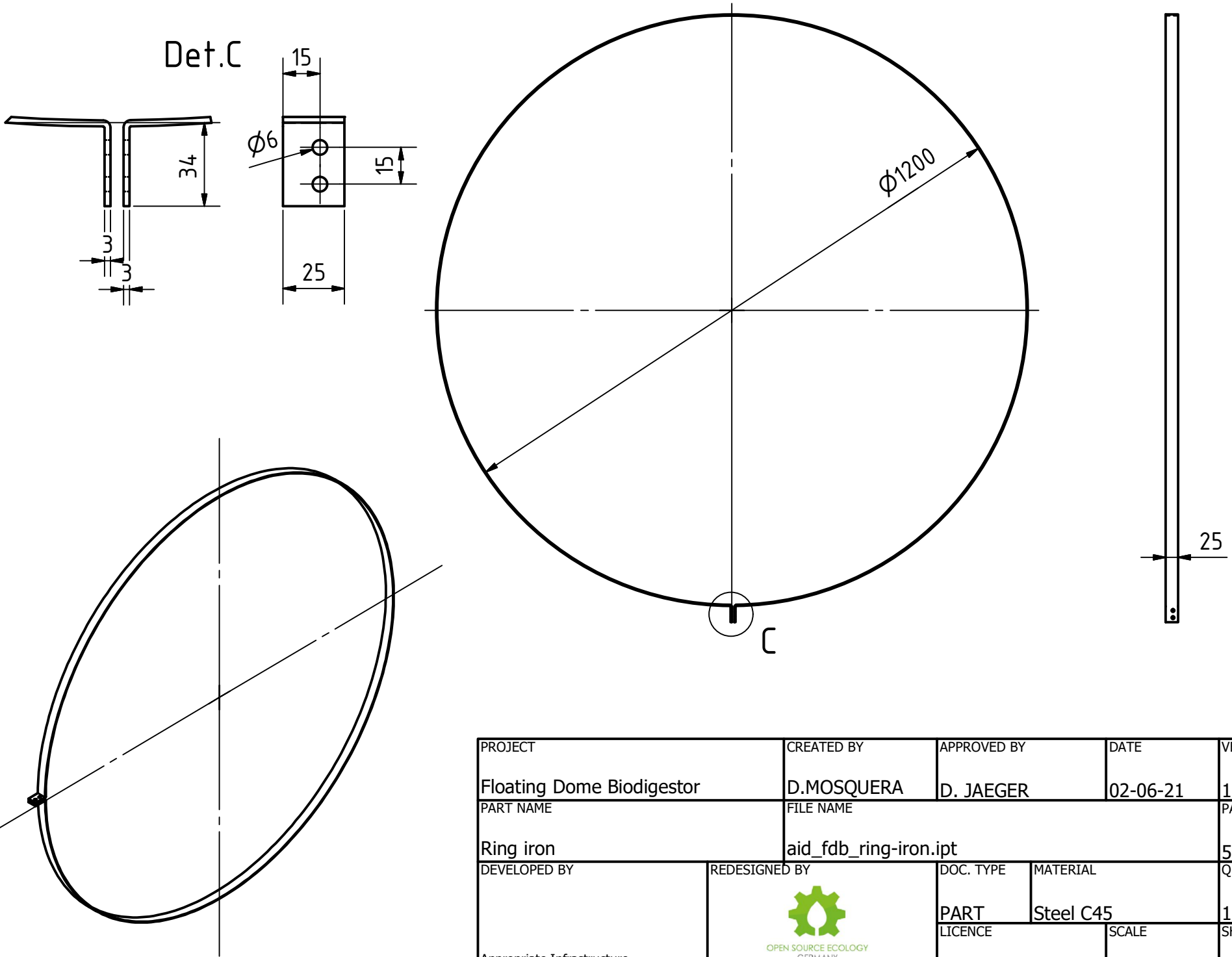
| | | | | | |
|--|--|---------------------------------|--------------|----------|-----------|
| PROJECT | | CREATED BY | APPROVED BY | DATE | VERSION |
| Floating Dome Biodigester | | D.MOSQUERA | D. JAEGER | 02-06-21 | 1.0 |
| PART NAME | | FILE NAME | | | PART CODE |
| Limiting structure | | aid_fdb_limiting-structure.iam | | | 5.0 |
| DEVELOPED BY | | REDESIGNED BY | DOC. TYPE | MATERIAL | QUANTITY |
| Appropriate Infrastructure Development Group | | OPEN SOURCE ECOLOGY GERMANY | ASSEMBLY | | 1 |
| | | | LICENCE | SCALE | SHEET |
| | | OHO e.V. | CC-BY-SA 4.0 | 1:20 | 25 /40 |




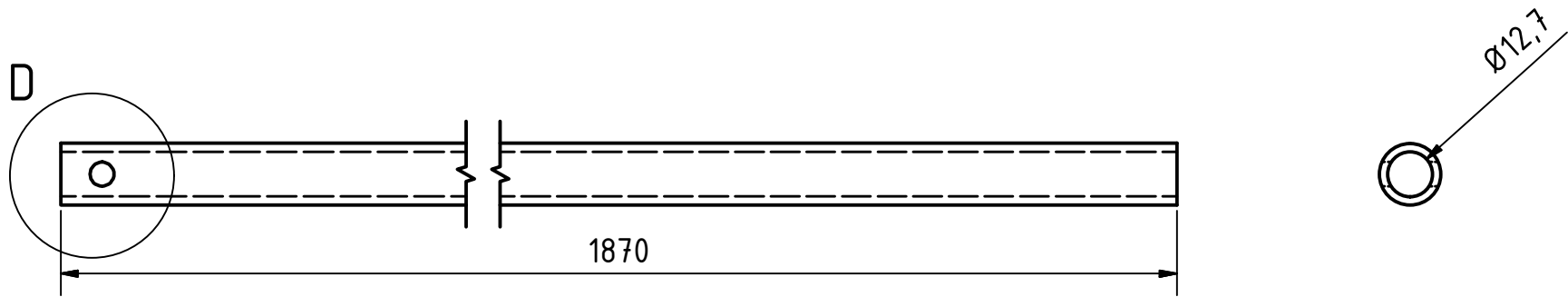
DET. B



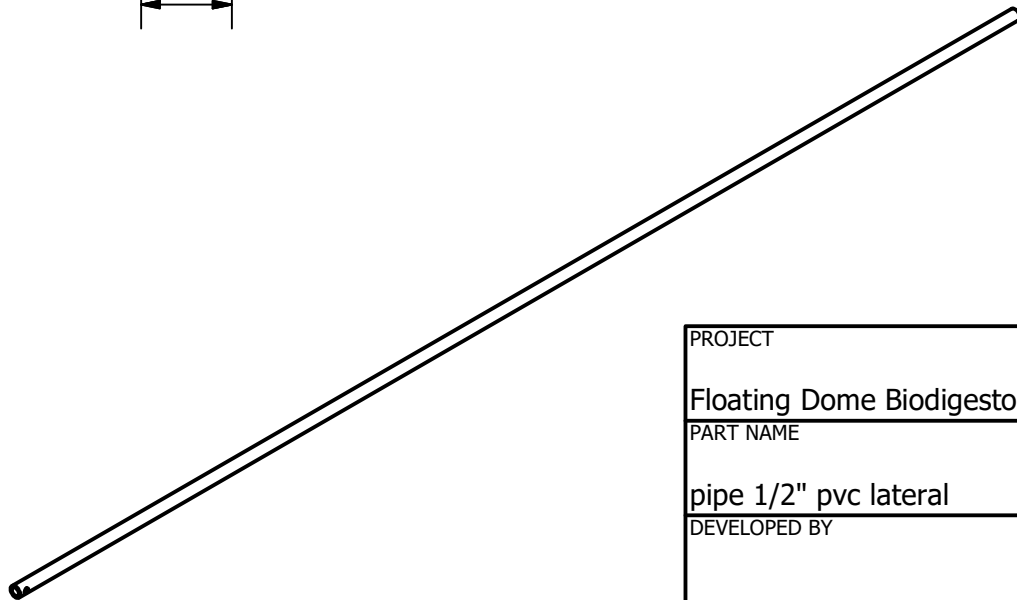
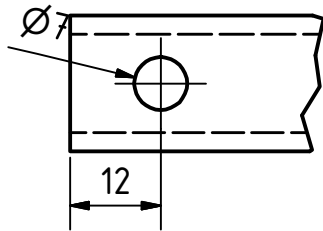
| | | | | | | | | | |
|--|--|------------|--|-------------|--------------|----------|-----------|---------|----------|
| PROJECT | | CREATED BY | | APPROVED BY | | DATE | | VERSION | |
| Floating Dome Biodigester | | D.MOSQUERA | | D. JAEGER | | 02-06-21 | | 1.0 | |
| PART NAME | | | FILE NAME | | | | PART CODE | | |
| Limiting structure | | | aid_fdb_limiting-structure.ipn | | | | 5.0 | | |
| DEVELOPED BY | | | REDESIGNED BY | | DOC. TYPE | | MATERIAL | | QUANTITY |
| Appropriate Infrastructure Development Group | | |  OPEN SOURCE ECOLOGY GERMANY OHO e.V. | | ASSEMBLY | | | | 1 |
| | | | | | LICENCE | | SCALE | | SHEET |
| | | | | | CC-BY-SA 4.0 | | 1:15 | | 26 /40 |




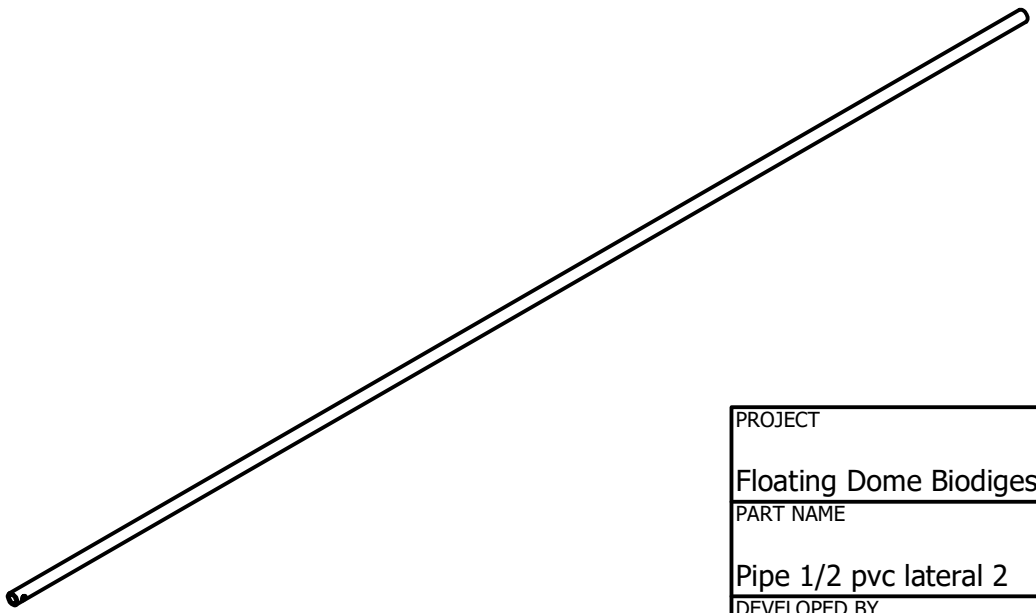
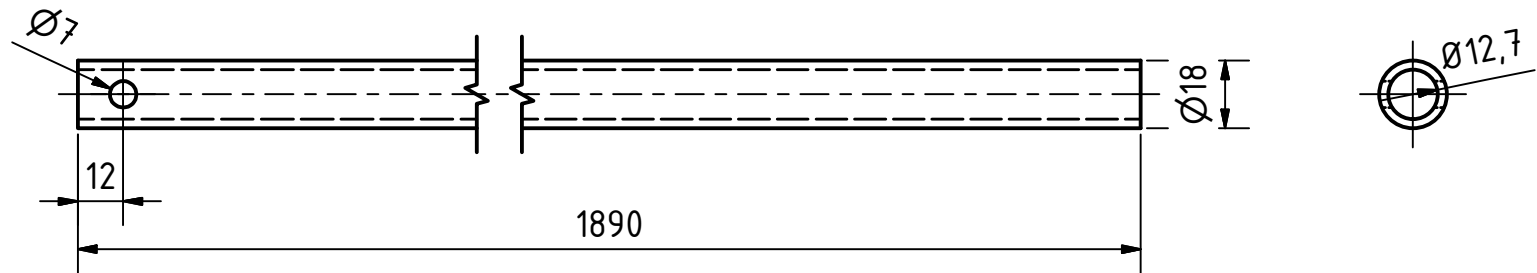
| | | | | | | | | | |
|---|--|------------|---|-------------|--|--------------|-----------|---------|----------|
| PROJECT | | CREATED BY | | APPROVED BY | | DATE | | VERSION | |
| Floating Dome Biodigestor | | D.MOSQUERA | | D. JAEGER | | 02-06-21 | | 1.0 | |
| PART NAME | | | FILE NAME | | | | PART CODE | | |
| Ring iron | | | aid_fdb_ring-iron.ipt | | | | 5.1 | | |
| DEVELOPED BY | | | REDESIGNED BY | | | DOC. TYPE | MATERIAL | | QUANTITY |
| Appropriate Infrastructure Development Group | | |  OPEN SOURCE ECOLOGY GERMANY | | | PART | Steel C45 | | 1 |
| | | | | | | LICENCE | SCALE | SHEET | |
| | | | OHO e.V. | | | CC-BY-SA 4.0 | | 1:20 | 27 /40 |




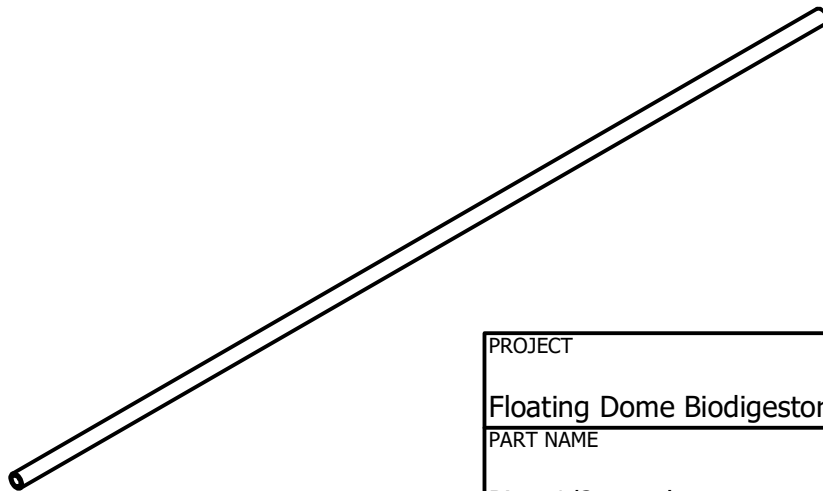
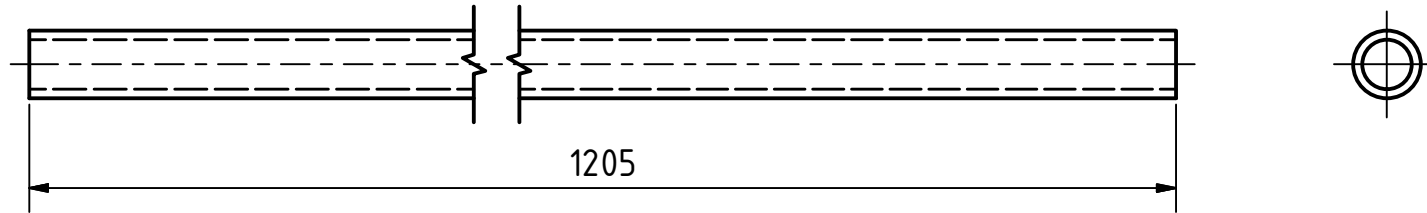
Det.D




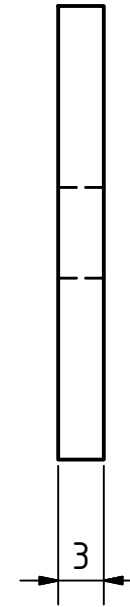
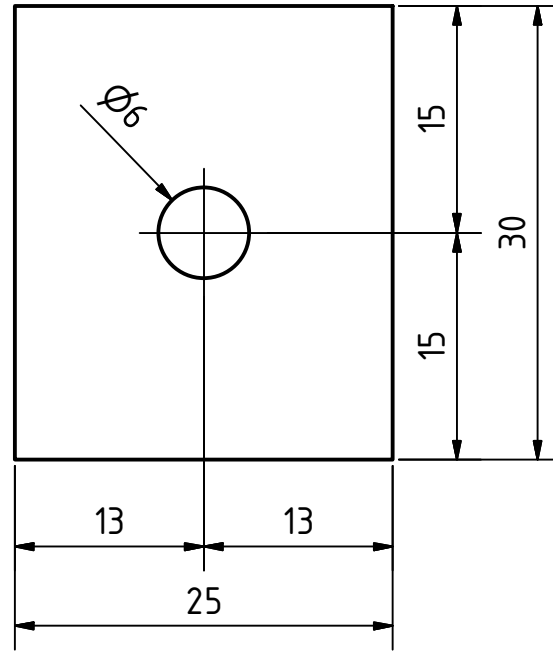
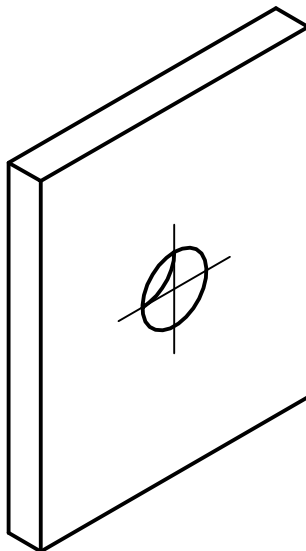
| | | | | |
|---|---|--------------|------------|----------|
| PROJECT | CREATED BY | APPROVED BY | DATE | VERSION |
| Floating Dome Biodigester | D.MOSQUERA | D. JAEGER | 02-06-21 | 1.0 |
| PART NAME | FILE NAME | PART CODE | | |
| pipe 1/2" pvc lateral | aid_fdb_pipe-1-2-pvc-lateral.ipt | 5.2 | | |
| DEVELOPED BY | REDESIGNED BY | DOC. TYPE | MATERIAL | QUANTITY |
| Appropriate Infrastructure Development Group |  OPEN SOURCE ECOLOGY GERMANY OHO e.V. | PART | PVC piping | 4 |
| | | LICENCE | SCALE | SHEET |
| | | CC-BY-SA 4.0 | 1:2 | 28 /40 |




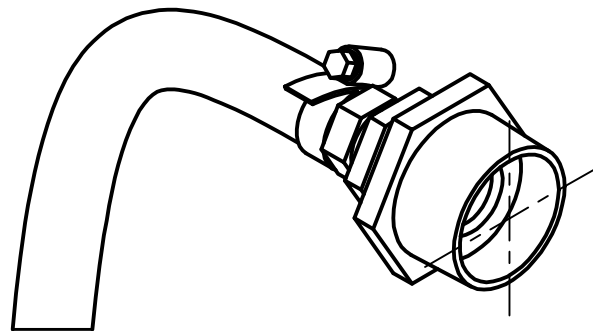
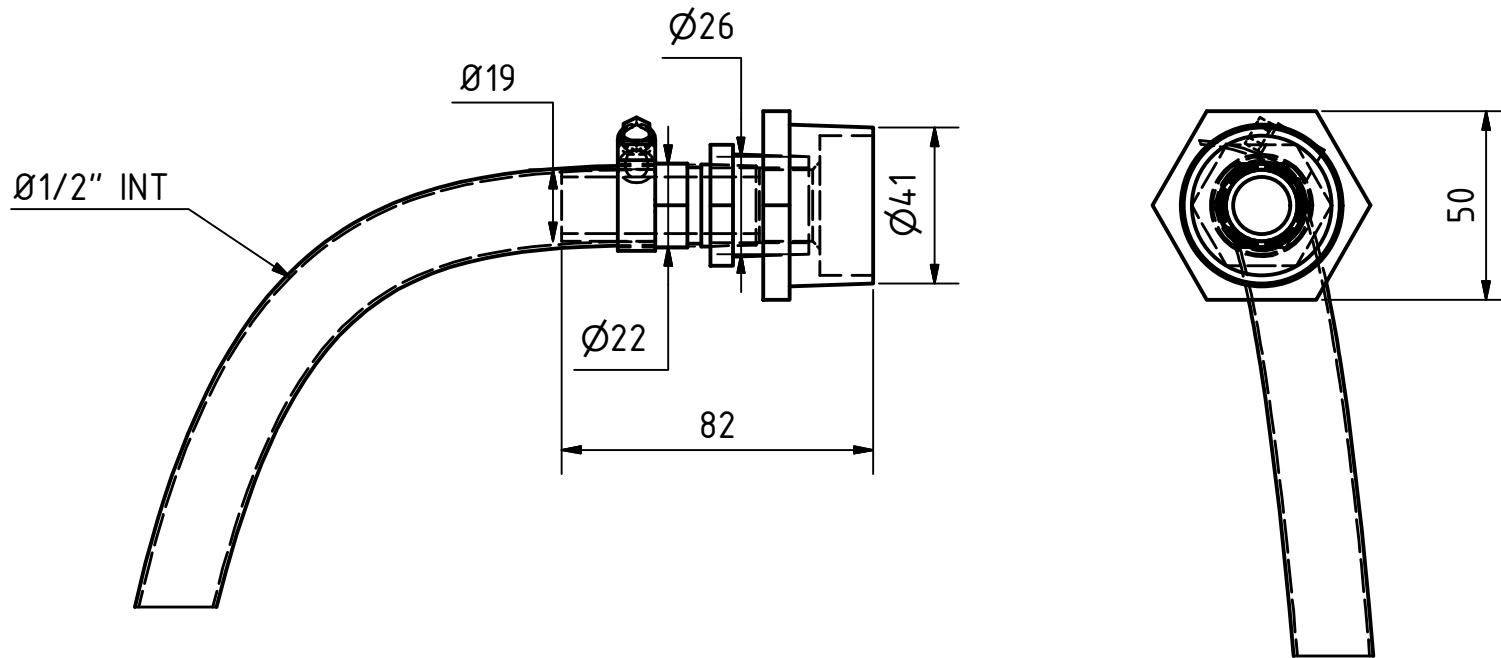
| | | | | |
|---|---|--------------|------------|-----------|
| PROJECT | CREATED BY | APPROVED BY | DATE | VERSION |
| Floating Dome Biodigestor | D.MOSQUERA | D. JAEGER | 02-06-21 | 1.0 |
| PART NAME | FILE NAME | | | PART CODE |
| Pipe 1/2 pvc lateral 2 | aid_fdb_pipe-1-2-pvc-lateral2.ipt | | | 5.3 |
| DEVELOPED BY | REDESIGNED BY | DOC. TYPE | MATERIAL | QUANTITY |
| Appropriate Infrastructure Development Group |  OPEN SOURCE ECOLOGY GERMANY OHO e.V. | PART | PVC piping | 2 |
| | | LICENCE | SCALE | SHEET |
| | | CC-BY-SA 4.0 | 1:2 | 29 /40 |




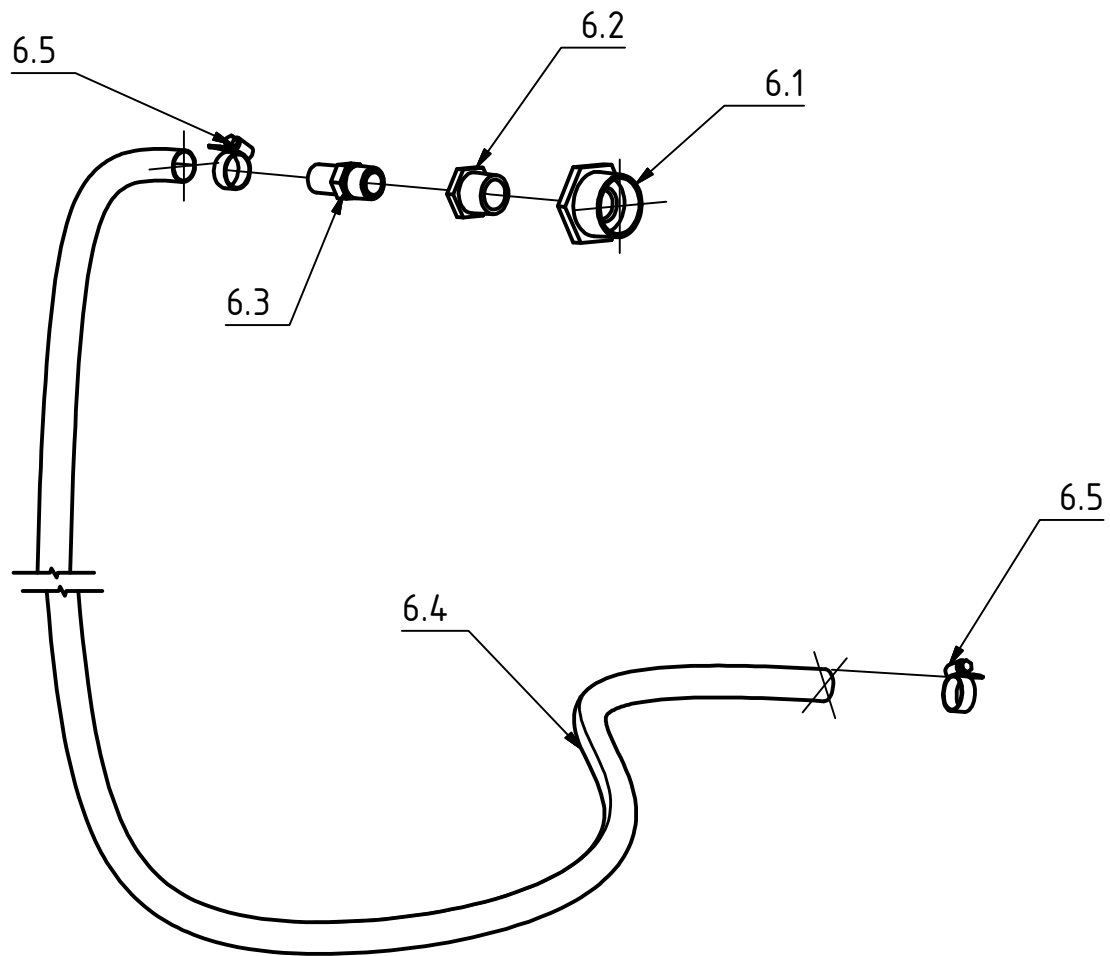
| | | | | |
|---|---|--------------|------------|----------|
| PROJECT | CREATED BY | APPROVED BY | DATE | VERSION |
| Floating Dome Biodigester | D.MOSQUERA | D. JAEGER | 02-06-21 | 1.0 |
| PART NAME | FILE NAME | PART CODE | | |
| Pipe 1/2 pvc down | aid_fdb_pipe-1-2-pvc-down.ipt | 5.4 | | |
| DEVELOPED BY | REDESIGNED BY | DOC. TYPE | MATERIAL | QUANTITY |
| Appropriate Infrastructure Development Group |  OPEN SOURCE ECOLOGY GERMANY | PART | PVC piping | 2 |
| | | LICENCE | SCALE | SHEET |
| | OHO e.V. | CC-BY-SA 4.0 | 1:2 | 30 /40 |




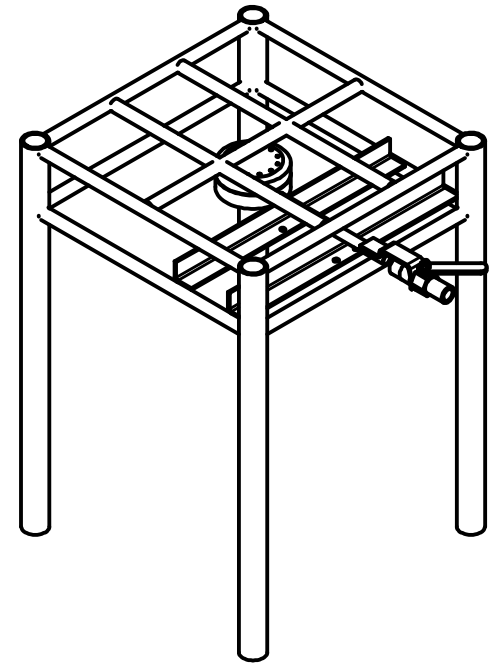
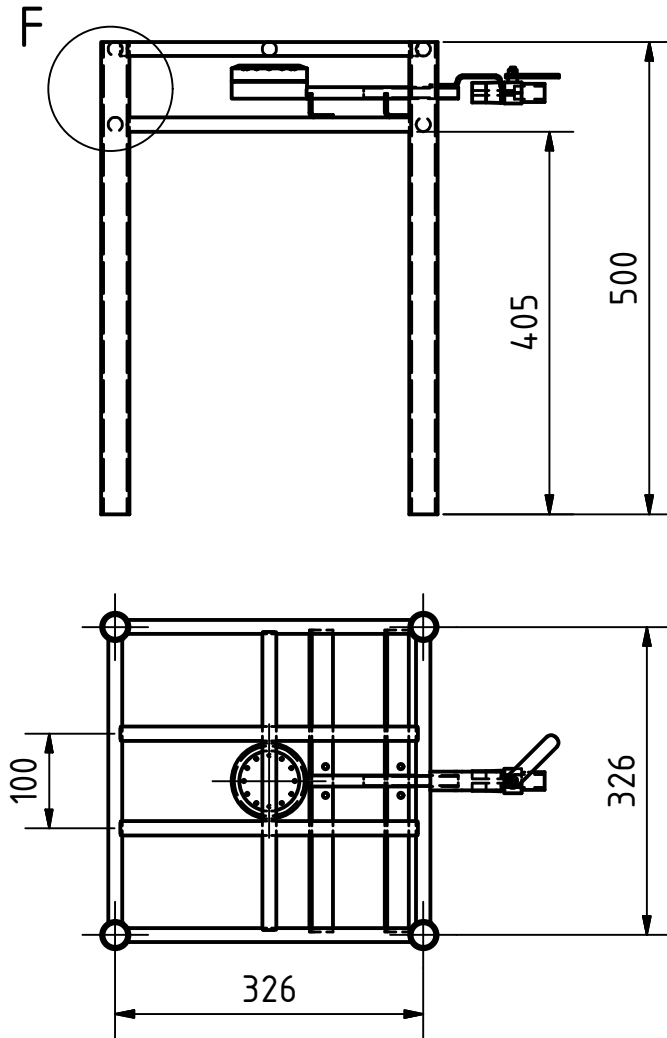
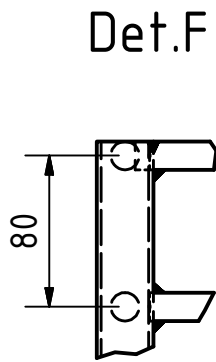
| | | | | | | | | | |
|---|--|------------|---|-------------|--|--------------|-----------|---------|-----------|
| PROJECT | | CREATED BY | | APPROVED BY | | DATE | | VERSION | |
| Floating Dome Biodigester | | D.MOSQUERA | | D. JAEGER | | 02-06-21 | | 1.0 | |
| PART NAME | | | FILE NAME | | | | | | PART CODE |
| Flat iron | | | aid_fdb_flat-iron.ipt | | | | | | 5.6 |
| DEVELOPED BY | | | REDESIGNED BY | | | DOC. TYPE | MATERIAL | | QUANTITY |
| Appropriate Infrastructure Development Group | | |  OPEN SOURCE ECOLOGY GERMANY | | | PART | Steel C45 | | 4 |
| | | | | | | LICENCE | SCALE | | SHEET |
| | | | OHO e.V. | | | CC-BY-SA 4.0 | | 2:1 | 31 /40 |



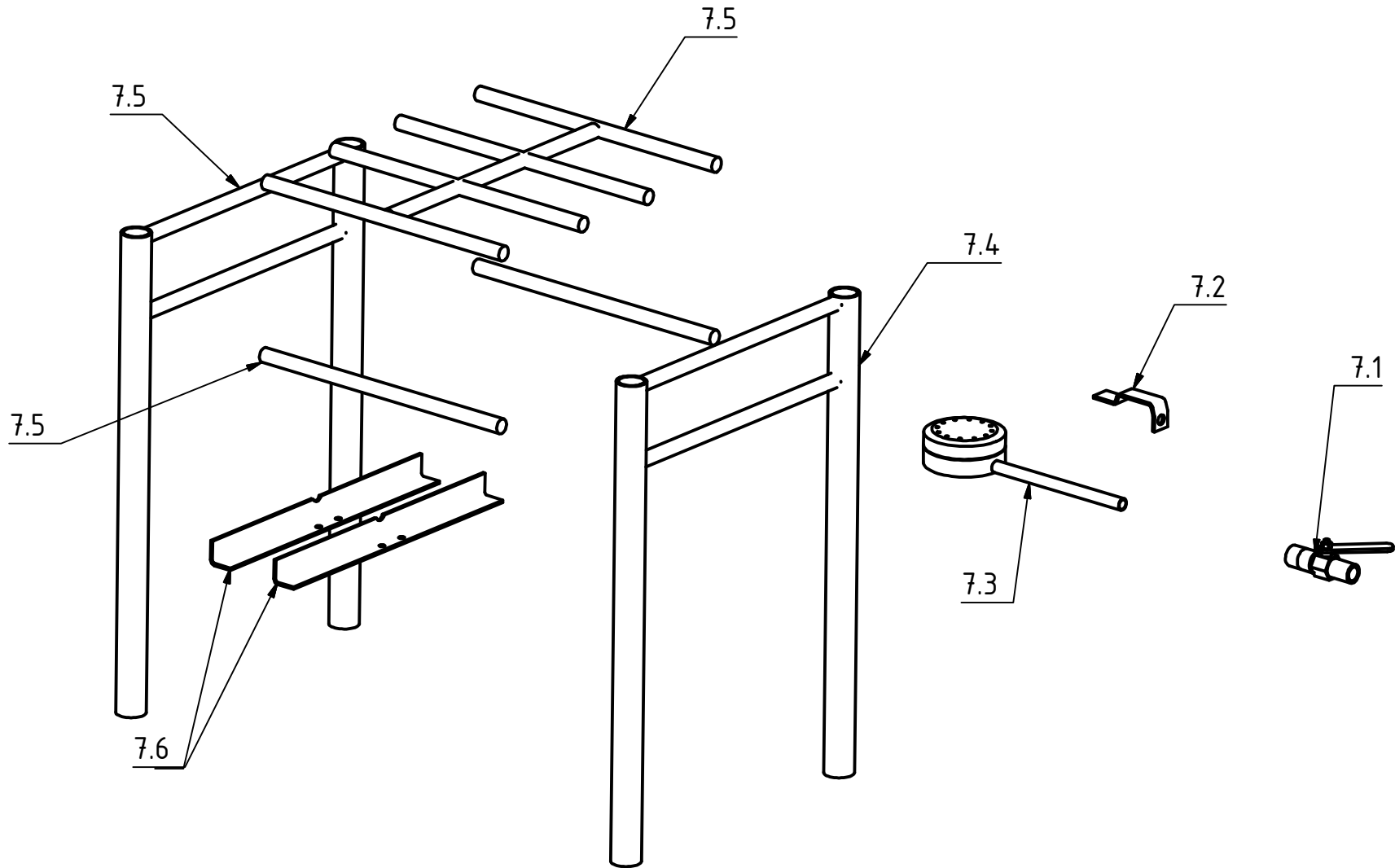
| | | | | |
|---|---|--------------|----------|-----------|
| PROJECT | CREATED BY | APPROVED BY | DATE | VERSION |
| Floating Dome Biodigestor | D.MOSQUERA | D. JAEGER | 02-06-21 | 1.0 |
| PART NAME | FILE NAME | | | PART CODE |
| Gas outlet | aid_fdb_gas-outlet.iam | | | 6.0 |
| DEVELOPED BY | REDESIGNED BY | DOC. TYPE | MATERIAL | QUANTITY |
| |  OPEN SOURCE ECOLOGY GERMANY | ASSEMBLY | | 1 |
| Appropriate Infrastructure Development Group | | OHO e.V. | LICENCE | SCALE |
| | | CC-BY-SA 4.0 | 1:2 | 32 /40 |




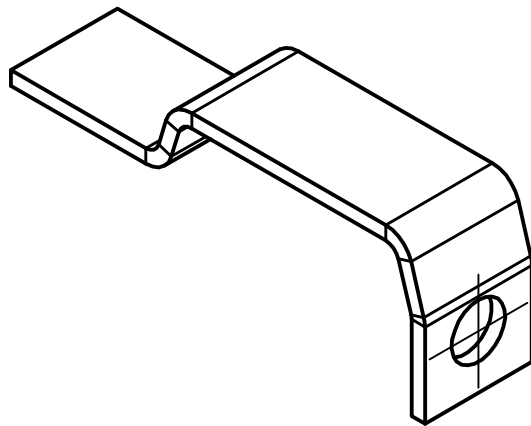
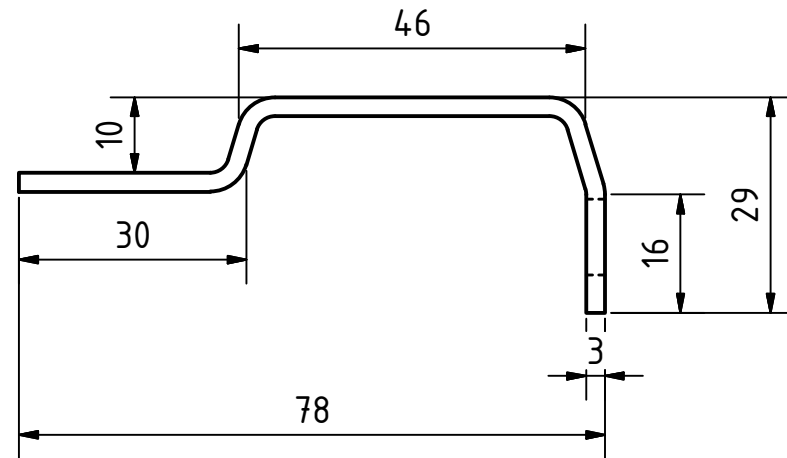
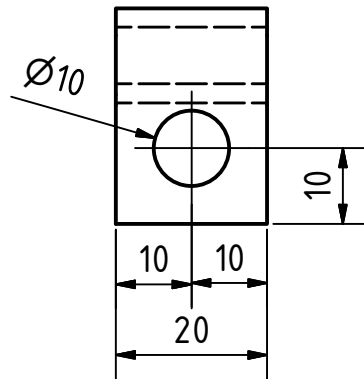
| | | | | | | | | | |
|---|--|---|------------------------|--------------|--|----------|-----------|----------|--|
| PROJECT | | CREATED BY | | APPROVED BY | | DATE | | VERSION | |
| Floating Dome Biodigester | | D.MOSQUERA | | D. JAEGER | | 02-06-21 | | 1.0 | |
| PART NAME | | | FILE NAME | | | | PART CODE | | |
| Gas outlet | | | aid_fdb_gas-outlet.ipn | | | | 6.0 | | |
| DEVELOPED BY | | REDESIGNED BY | | DOC. TYPE | | MATERIAL | | QUANTITY | |
| Appropriate Infrastructure Development Group | |  OPEN SOURCE ECOLOGY GERMANY | | ASSEMBLY | | | | 1 | |
| | | | | LICENCE | | SCALE | | SHEET | |
| | | OHO e.V. | | CC-BY-SA 4.0 | | 1:5 | | 33 /40 | |




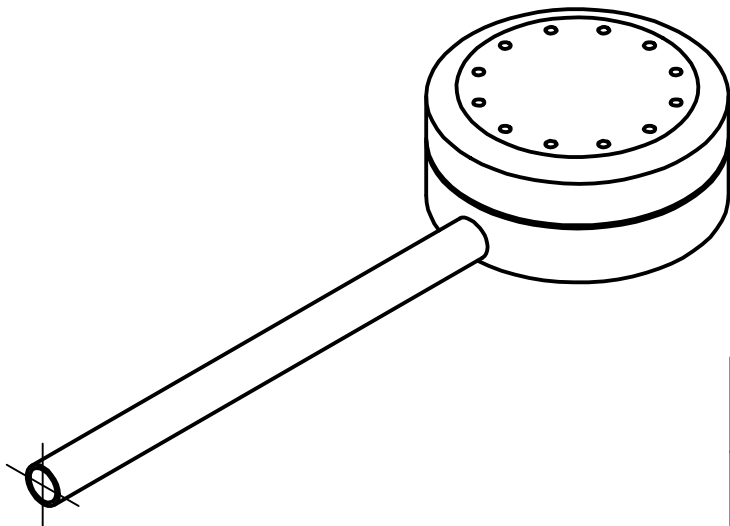
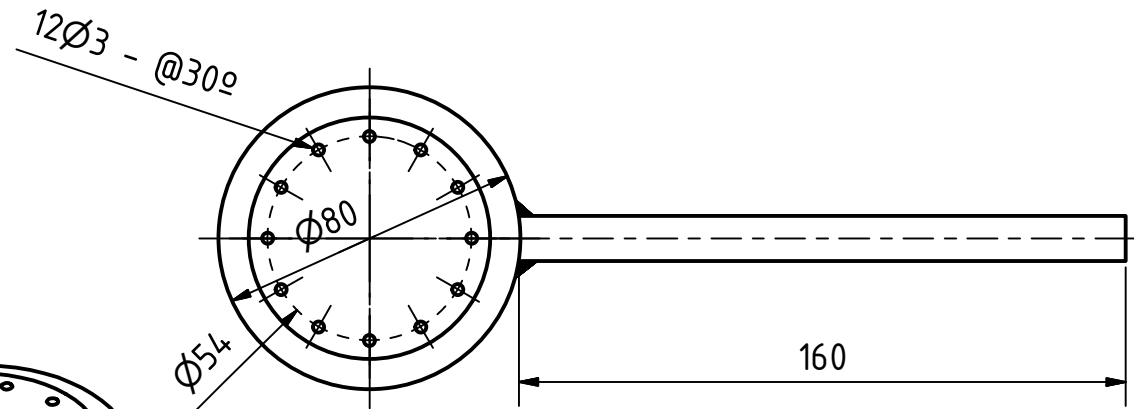
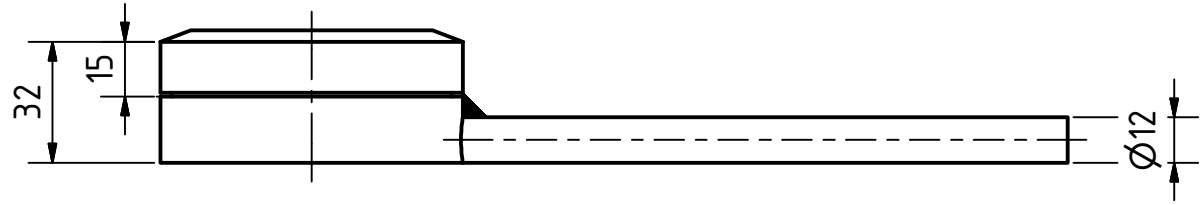
| | | | | |
|---|------------------------------------|--------------|----------|-----------|
| PROJECT | CREATED BY | APPROVED BY | DATE | VERSION |
| Floating Dome Biodigester | D.MOSQUERA | D. JAEGER | 02-06-21 | 1.0 |
| PART NAME | FILE NAME | | | PART CODE |
| Gas burner | aid_fdb_gas-burner.iam | | | 7.0 |
| DEVELOPED BY | REDESIGNED BY | DOC. TYPE | MATERIAL | QUANTITY |
| | OPEN SOURCE ECOLOGY GERMANY | ASSEMBLY | | 1 |
| Appropriate Infrastructure Development Group | | OHO e.V. | LICENCE | SCALE |
| | | CC-BY-SA 4.0 | 1:8 | 34 /40 |




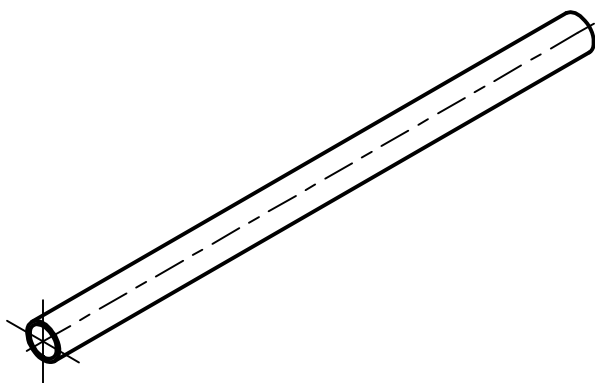
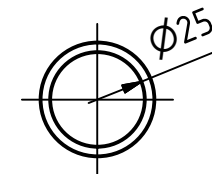
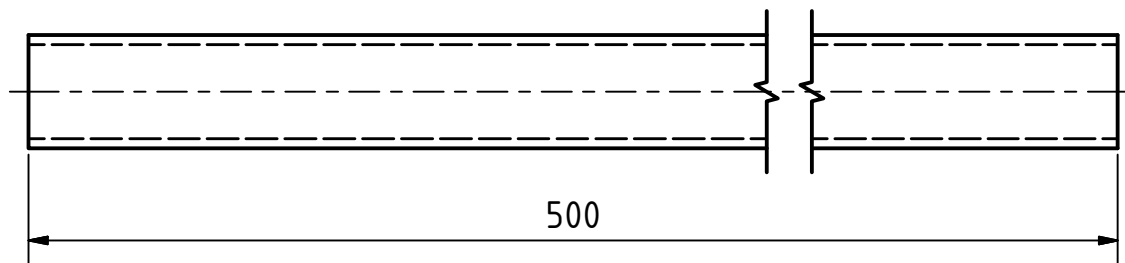
| | | | | | |
|---|---|------------------------|-------------|----------|-----------|
| PROJECT | | CREATED BY | APPROVED BY | DATE | VERSION |
| Floating Dome Biodigestor | | D.MOSQUERA | D. JAEGER | 02-06-21 | 1.0 |
| PART NAME | | FILE NAME | | | PART CODE |
| Gas burner | | aid_fdb_gas-burner.ipn | | | 7.0 |
| DEVELOPED BY | REDESIGNED BY | DOC. TYPE | MATERIAL | QUANTITY | |
| |  OPEN SOURCE ECOLOGY GERMANY | ASSEMBLY | | 1 | |
| Appropriate Infrastructure Development Group | | OHO e.V. | LICENCE | SCALE | SHEET |
| | | CC-BY-SA 4.0 | 1:8 | 35 /40 | |




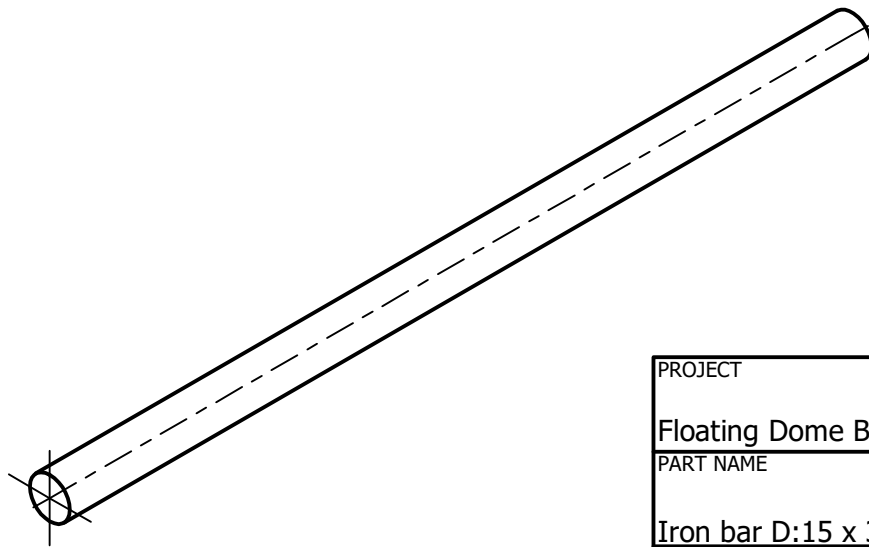
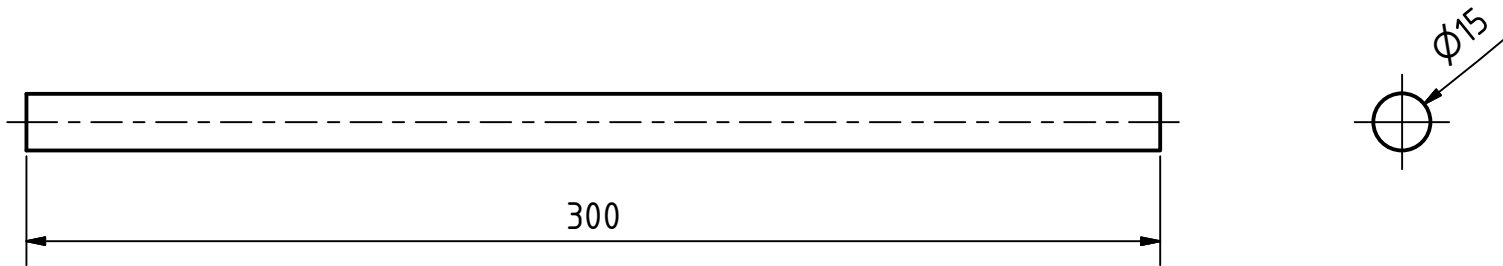
| | | | | |
|---|---|--------------|-----------|-----------|
| PROJECT | CREATED BY | APPROVED BY | DATE | VERSION |
| Floating Dome Biodigestor | D.MOSQUERA | D. JAEGER | 02-06-21 | 1.0 |
| PART NAME | FILE NAME | | | PART CODE |
| Burner plate | aid_fdb_burner-plate.ipt | | | 7.2 |
| DEVELOPED BY | REDESIGNED BY | DOC. TYPE | MATERIAL | QUANTITY |
| Appropriate Infrastructure Development Group |  OPEN SOURCE ECOLOGY GERMANY | PART | Steel C45 | 1 |
| | | LICENCE | SCALE | SHEET |
| | OHO e.V. | CC-BY-SA 4.0 | 1:1 | 36 /40 |




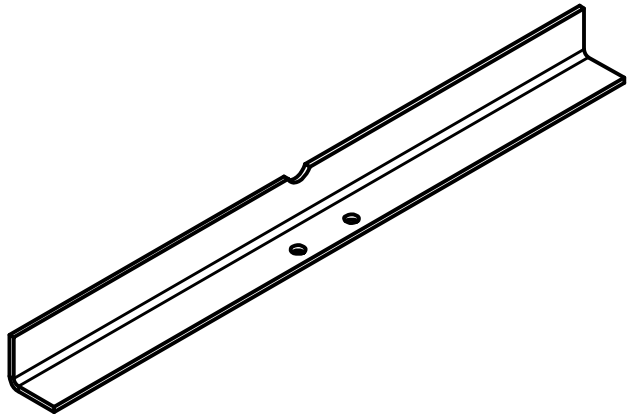
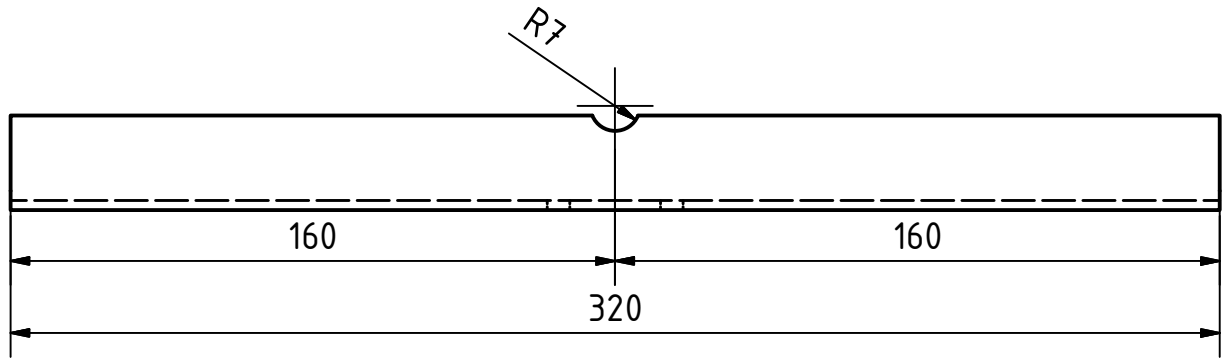
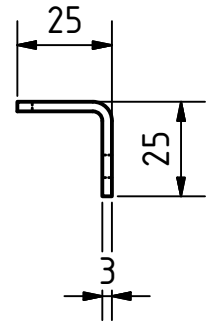
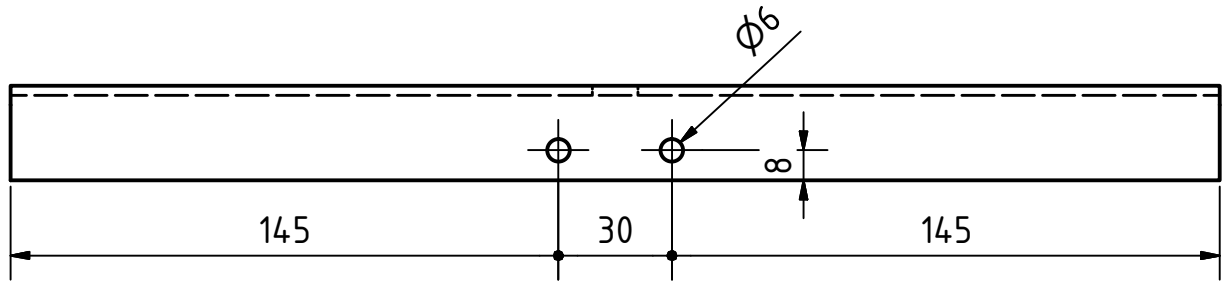
| | | | | | | | | | |
|---|--|------------|---|-------------|--|--------------|-----------|---------|----------|
| PROJECT | | CREATED BY | | APPROVED BY | | DATE | | VERSION | |
| Floating Dome Biodigestor | | D.MOSQUERA | | D. JAEGER | | 02-06-21 | | 1.0 | |
| PART NAME | | | FILE NAME | | | | PART CODE | | |
| Burner | | | aid_fdb_burner.ipt | | | | 7.3 | | |
| DEVELOPED BY | | | REDESIGNED BY | | | DOC. TYPE | MATERIAL | | QUANTITY |
| Appropriate Infrastructure Development Group | | |  OPEN SOURCE ECOLOGY GERMANY | | | PART | Steel C45 | | 1 |
| | | | | | | LICENCE | SCALE | SHEET | |
| | | | OHO e.V. | | | CC-BY-SA 4.0 | | 1:2 | 37 /40 |




| | | | | |
|---|---|--------------|----------|-----------|
| PROJECT | CREATED BY | APPROVED BY | DATE | VERSION |
| Floating Dome Biodigestor | D.MOSQUERA | D. JAEGER | 02-06-21 | 1.0 |
| PART NAME | FILE NAME | | | PART CODE |
| Tubular iron D:25x500 | aid_fdb_tubular-iron-D25x500.ipt | | | 7.4 |
| DEVELOPED BY | REDESIGNED BY | DOC. TYPE | MATERIAL | QUANTITY |
| Appropriate Infrastructure Development Group |  OPEN SOURCE ECOLOGY GERMANY | PART | ASTM A36 | 4 |
| | | LICENCE | SCALE | SHEET |
| | OHO e.V. | CC-BY-SA 4.0 | 1:2 | 38 /40 |



| | | | | |
|---|---|--------------|-----------|-----------|
| PROJECT | CREATED BY | APPROVED BY | DATE | VERSION |
| Floating Dome Biodigestor | D.MOSQUERA | D. JAEGER | 02-06-21 | 1.0 |
| PART NAME | FILE NAME | | | PART CODE |
| Iron bar D:15 x 300 | aid_fdb_iron-bar-D15x300.ipt | | | 7.5 |
| DEVELOPED BY | REDESIGNED BY | DOC. TYPE | MATERIAL | QUANTITY |
| Appropriate Infrastructure Development Group |  OPEN SOURCE ECOLOGY GERMANY | PART | Steel C45 | 11 |
| | | LICENCE | SCALE | SHEET |
| | OHO e.V. | CC-BY-SA 4.0 | 1:2 | 39 /40 |



| | | | | | | | | | |
|---|--|------------|---|---------------------|--|--------------|----------|-----------|----------|
| PROJECT | | CREATED BY | | APPROVED BY | | DATE | | VERSION | |
| Floating Dome Biodigester | | D.MOSQUERA | | D. JAEGER | | 02-06-21 | | 1.0 | |
| PART NAME | | | | FILE NAME | | | | PART CODE | |
| Angle 25 x 25 x 3 | | | | aid_fdb_angle25.ipt | | | | 7.6 | |
| DEVELOPED BY | | | REDESIGNED BY | | | DOC. TYPE | MATERIAL | | QUANTITY |
| Appropriate Infrastructure Development Group | | |  OPEN SOURCE ECOLOGY GERMANY | | | PART | ASTM A36 | | 2 |
| | | | | | | LICENCE | SCALE | SHEET | |
| | | | OHO e.V. | | | CC-BY-SA 4.0 | | 1:2 | 40 /40 |