



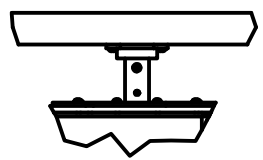
Proyect Wind Mill Pump		Created by D. Mosquera		Approved by D. Jaeger	
Part Name Wind Mill Pump		Part Code A1		Document Type ASSEMBLY	
Redesigned by  OPEN SOURCE ECOLOGY GERMANY		Supported by  E.ON STIFTUNG		License CC BY-SA 4.0	
File Name oseg_wmp_A1_wind-mill-pump..iam				Version 1.0	
Scale 1 / 22				Quantity 1	
				Sheet 1	
				Date 28.02.21	

2

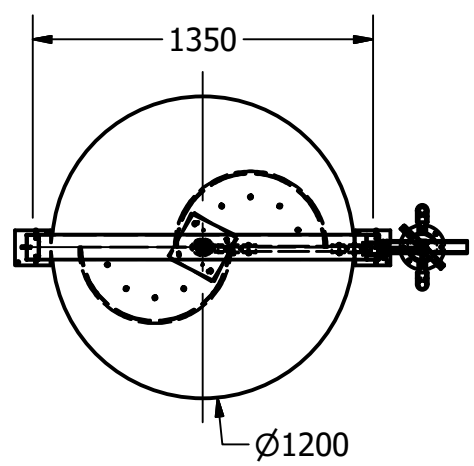
1

D

D

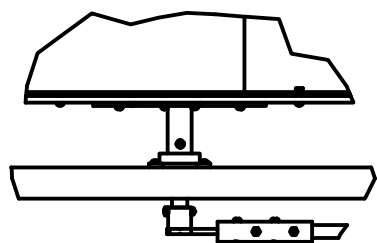


DETAIL 1

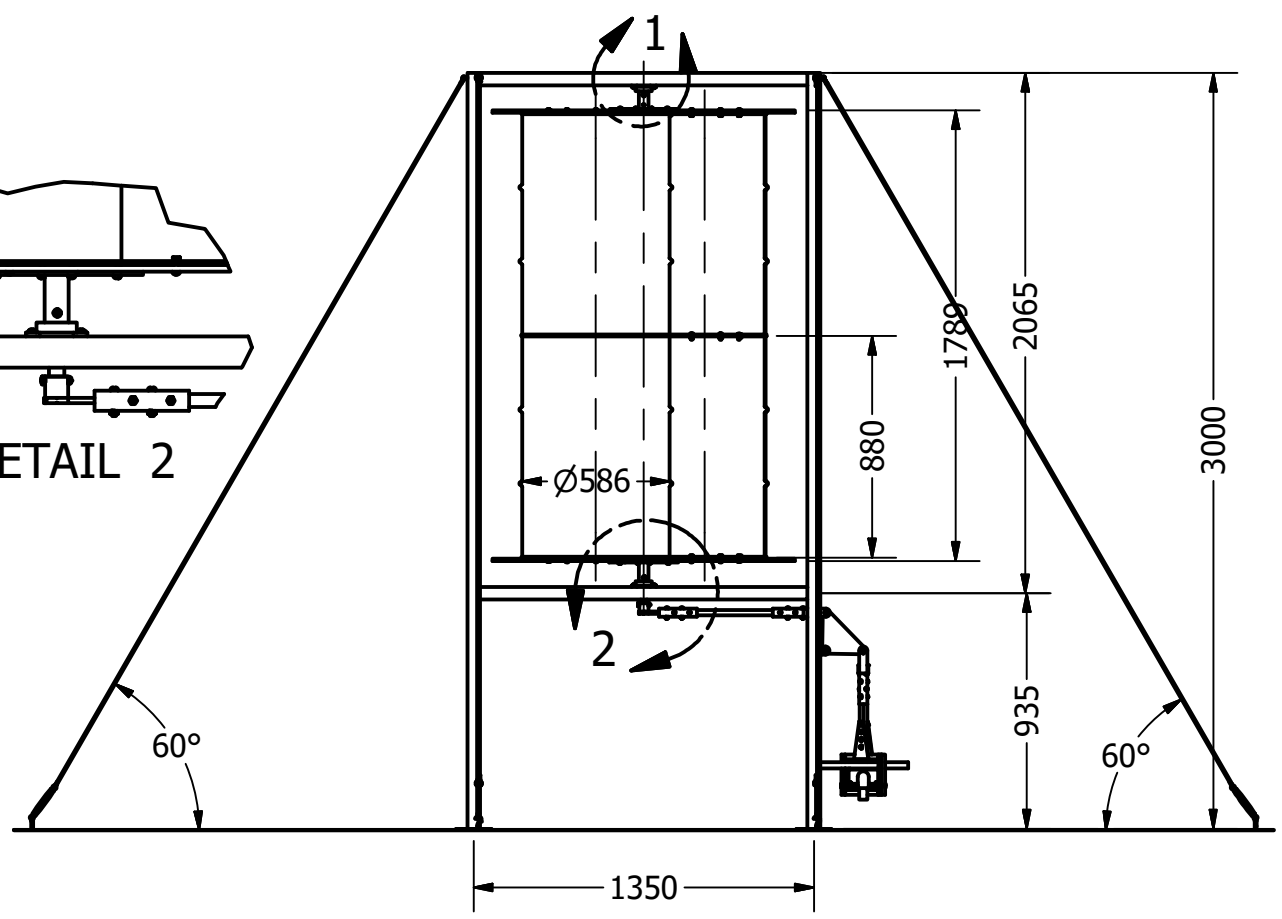


C

C



DETAIL 2





B

B

A

A

Proyect Wind Mill Pump		Created by D. Mosquera		Approved by D. Jaeger	
Part Name Wind Mill Pump		Part Code A1		Document Type ASSEMBLY	
Redesigned by  OPEN SOURCE ECOLOGY GERMANY		Supported by  E.ON STIFTUNG		License CC BY-SA 4.0	
		File Name oseg_wmp_A1_wind-mill-pump.iam		Version 1.0	
		Scale 1 / 30		Quantity 2	
				Date 28.02.21	

2

1

