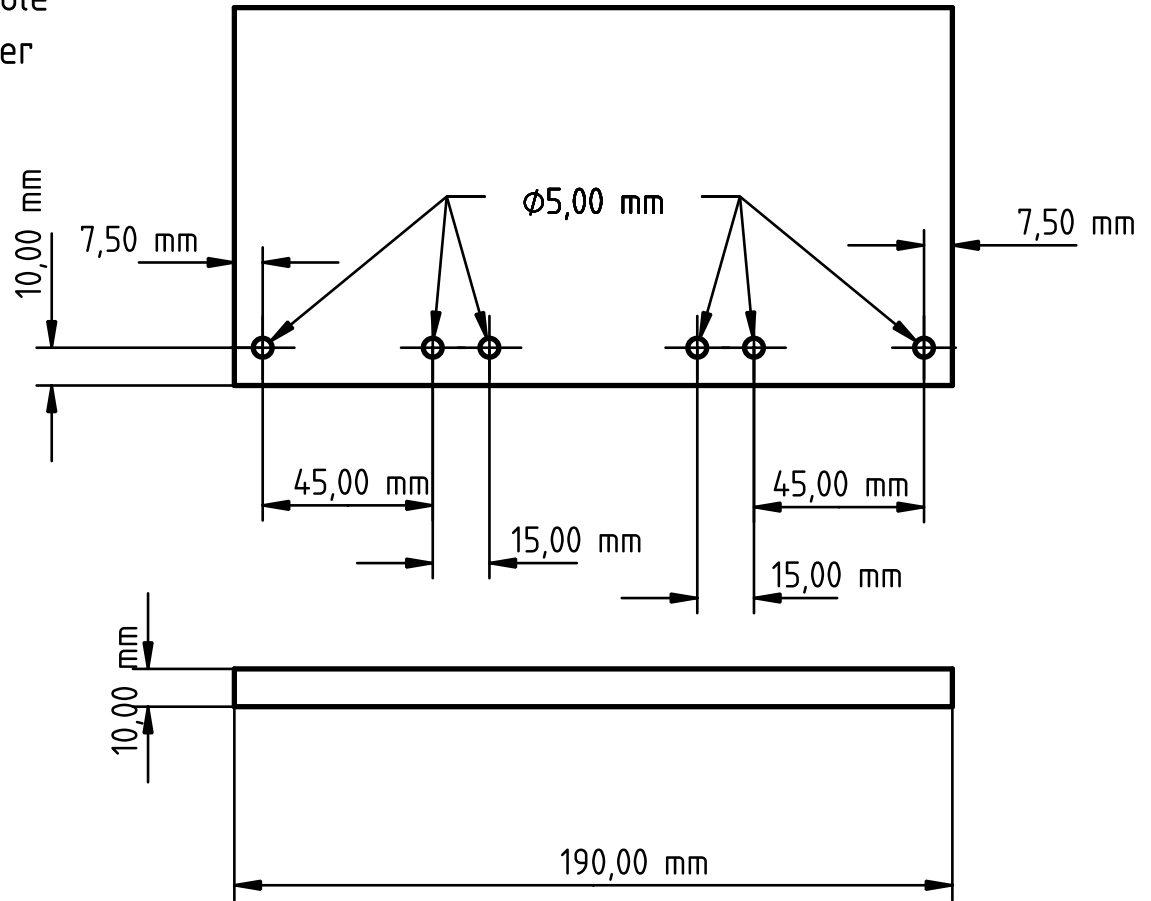
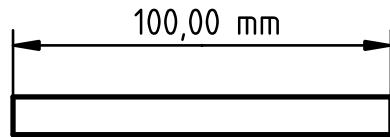



Note: For the holes (d=5mm) make a thread M6.
 Alternatively you can also make a through hole (d=6.6mm) and use a longer M6 screw together with a screw nut on the other end.



DESIGNED BY: Lukas Winter		COSI measure v1.0		G	-
DATE: 11.10.2018		Mechanical assembly - plate 9		F	-
SIZE A4				E	-
SCALE 1:2				D	-
WEIGHT (kg)	DRAWING NUMBER	SHEET	1/1	C	-
This drawing is our property; it can't be reproduced or communicated without our written consent.				B	-
				A	-