
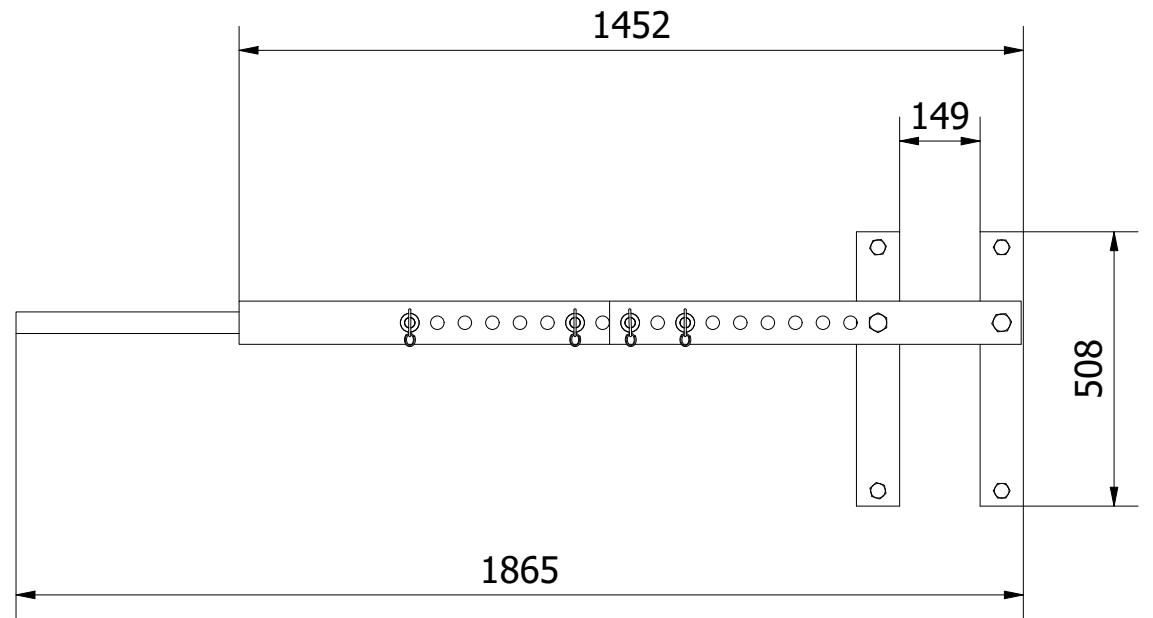
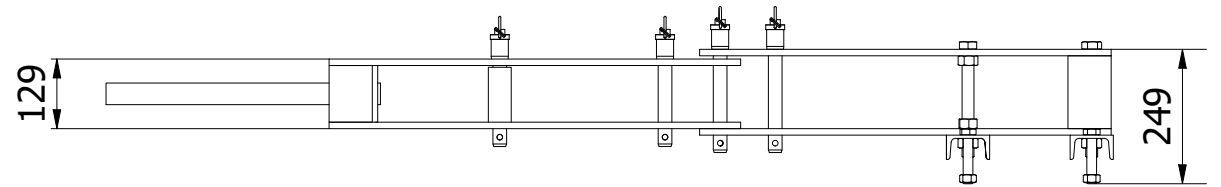
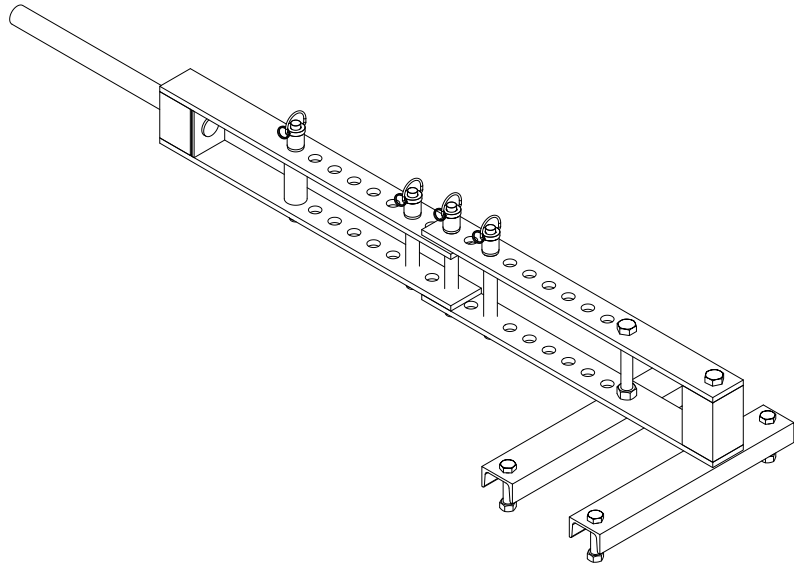



Note: All units in mm.

PROJECT	CREATED BY	APPROVED BY	DATE	VERSION
Bench Top Bender	J. Rosciano	A. Morillo	10/08/2021	1.1
PART NAME	FILE NAME			POS
3d views	nkm-btb_bench_top_bender.iam			A1
PUBLISHED BY	DOC. TYPE		MATERIAL	QUANTITY
 OPEN HARDWARE OBSERVATORY Free Blueprints for Sustainable Development	Assembly			1
	LICENCE		SCALE	SHEET
OHO e.V.	CC-BY-SA 4.0		1/8	1 /18



Note: All units in mm.

PROJECT	CREATED BY	APPROVED BY	DATE	VERSION
Bench Top Bender	J. Rosciano	A. Morillo	10/08/2021	1.1
PART NAME	FILE NAME			POS
3d views	nkm-btb_bench_top_bender.iam			A1
PUBLISHED BY	DOC. TYPE		MATERIAL	QUANTITY
 OPEN HARDWARE OBSERVATORY Free Blueprints for Sustainable Development	Assembly			1
	LICENCE		SCALE	SHEET
OHO e.V.	CC-BY-SA 4.0		1/14	2 /18