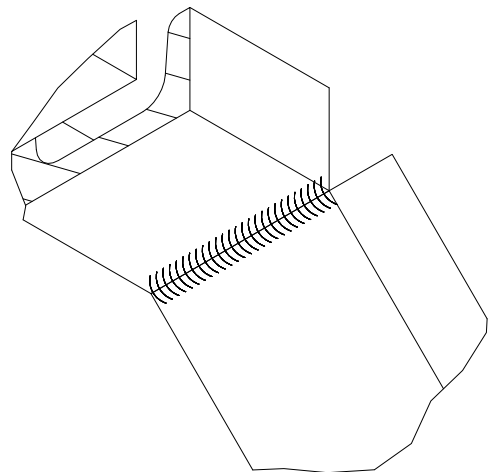
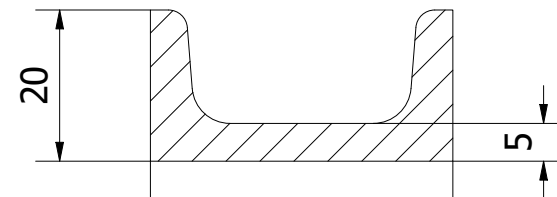
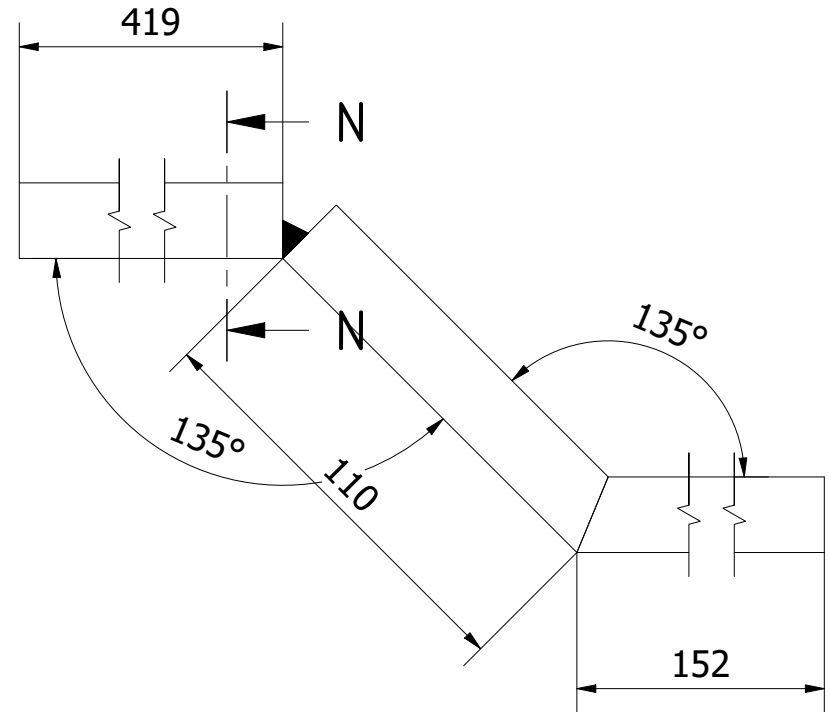
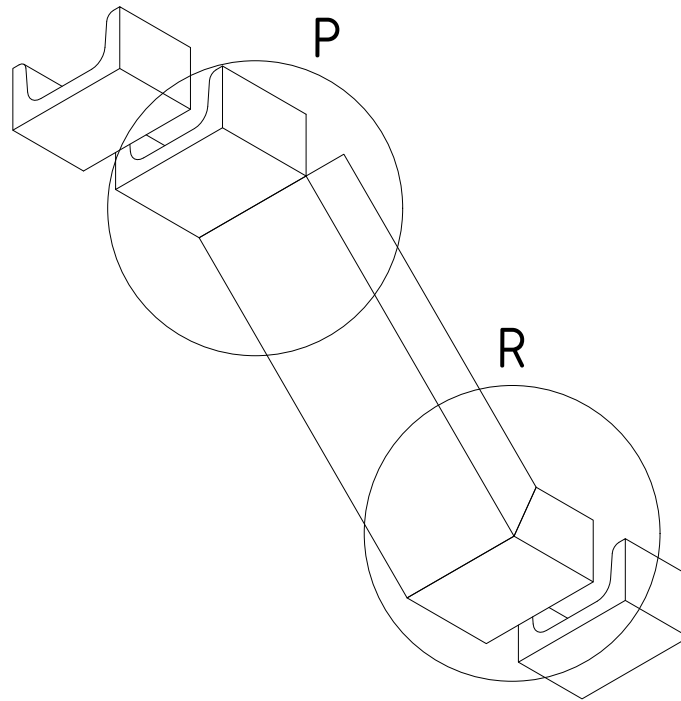


R (1 : 1.2)

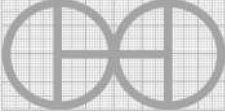


P (1 : 1.2)



N-N (1 : 1)

Note: All units in mm.

PROJECT	CREATED BY	APPROVED BY	DATE	VERSION
Scooter with fat tire	J. Rosciano	A. Morillo	31/08/2021	1.2
PART NAME	FILE NAME			POS
Frame A	Frame A			2.1
DEVELOPED BY	REDESIGNED BY	DOC. TYPE	MATERIAL	QUANTITY
		Part	ASTM A36	2
		LICENCE	SCALE	SHEET
OHO	OHO e.V.	CC-BY-SA 4.0	1/2	19 /65