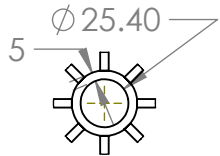
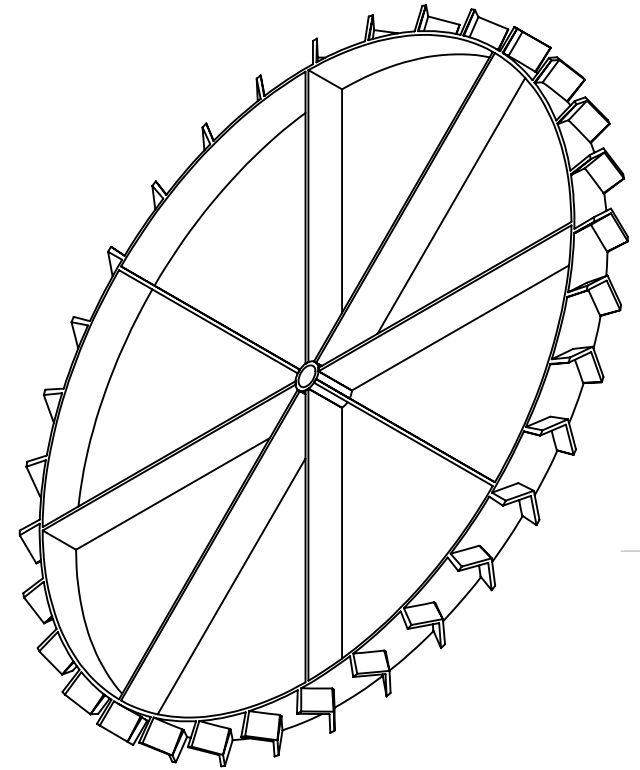
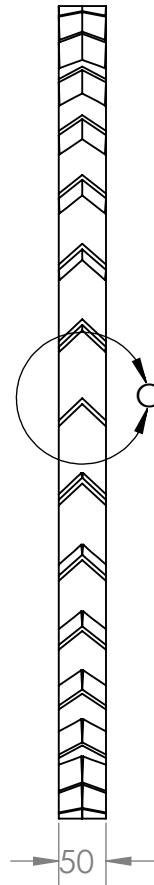
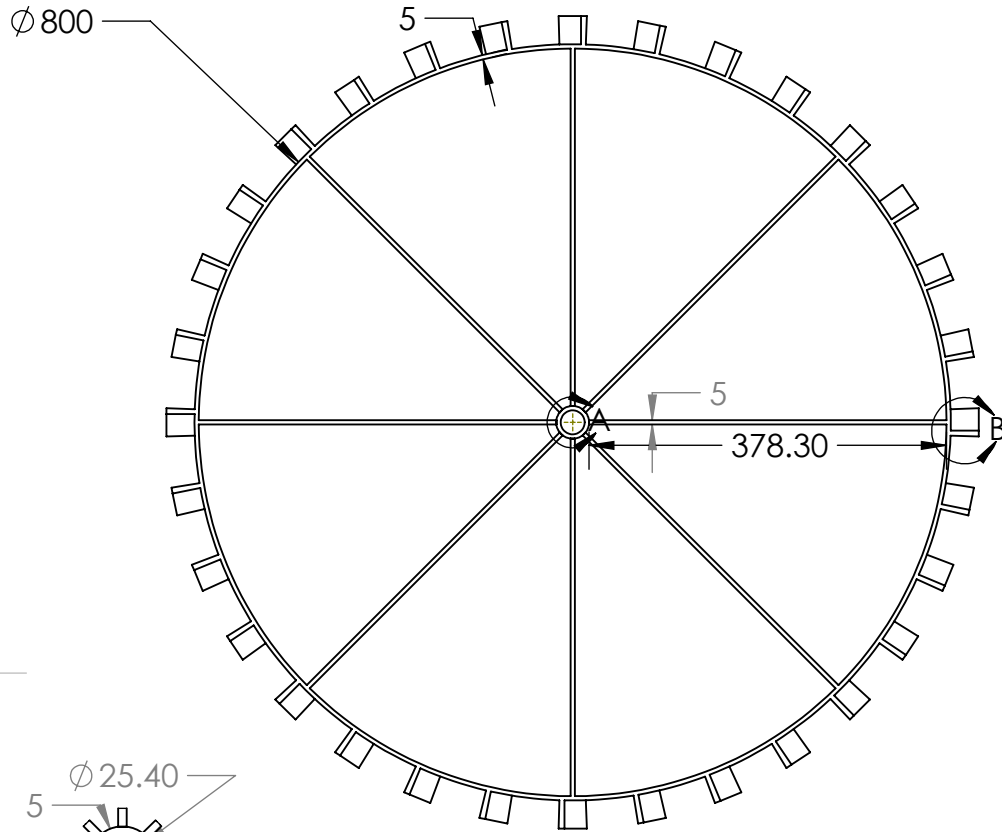
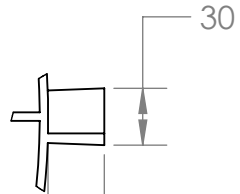


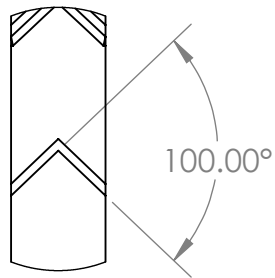
UNLESS OTHERWISE SPECIFIED: DIMENSIONS ARE IN MILLIMETERS SURFACE FINISH: TOLERANCES: LINEAR: ANGULAR:				FINISH:		DEBUR AND BREAK SHARP EDGES		DO NOT SCALE DRAWING		REVISION	
	NAME	SIGNATURE	DATE			TITLE:					
DRAWN											
CHK'D											
APPV'D											
MFG											
Q.A					MATERIAL:	DWG NO.		axle		A4	
					WEIGHT:	SCALE:1:10		SHEET 1 OF 1			



DETAIL A  
SCALE 1 : 4



DETAIL B  
SCALE 1 : 4



DETAIL C  
SCALE 1 : 4

UNLESS OTHERWISE SPECIFIED:  
DIMENSIONS ARE IN MILLIMETERS  
SURFACE FINISH:  
TOLERANCES:  
LINEAR:  
ANGULAR:

FINISH:

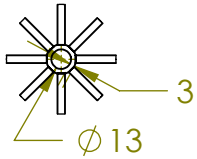
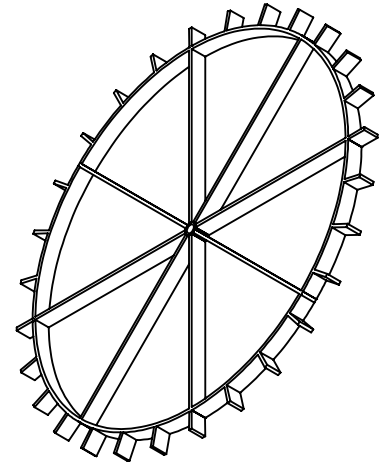
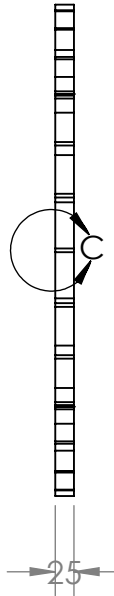
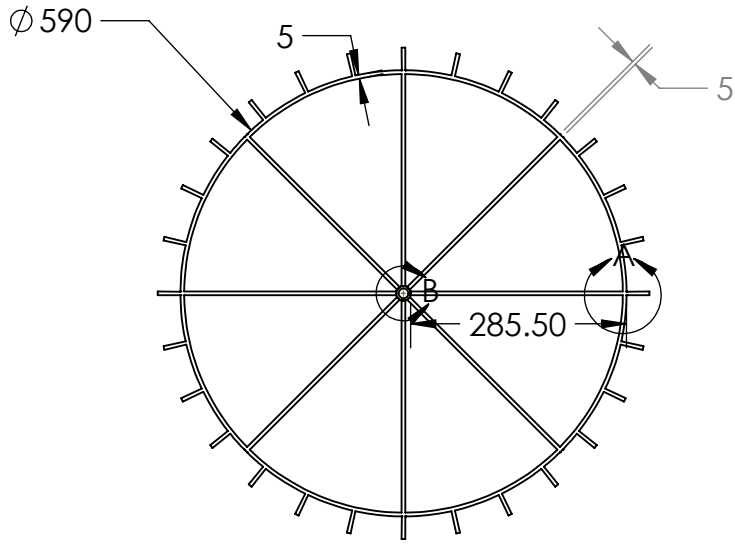
DEBUR AND  
BREAK SHARP  
EDGES

DO NOT SCALE DRAWING

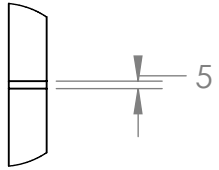
REVISION

	NAME	SIGNATURE	DATE		
DRAWN					
CHK'D					
APPV'D					
MFG					
Q.A					
				MATERIAL:	
				WEIGHT:	

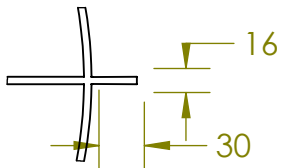
TITLE:	
DWG NO.	paddle wheel back <sup>A4</sup>
SCALE:1:10	SHEET 1 OF 1



DETAIL B  
SCALE 1 : 5



DETAIL C  
SCALE 1 : 5



DETAIL A  
SCALE 1 : 5

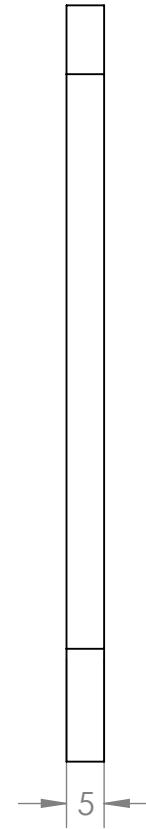
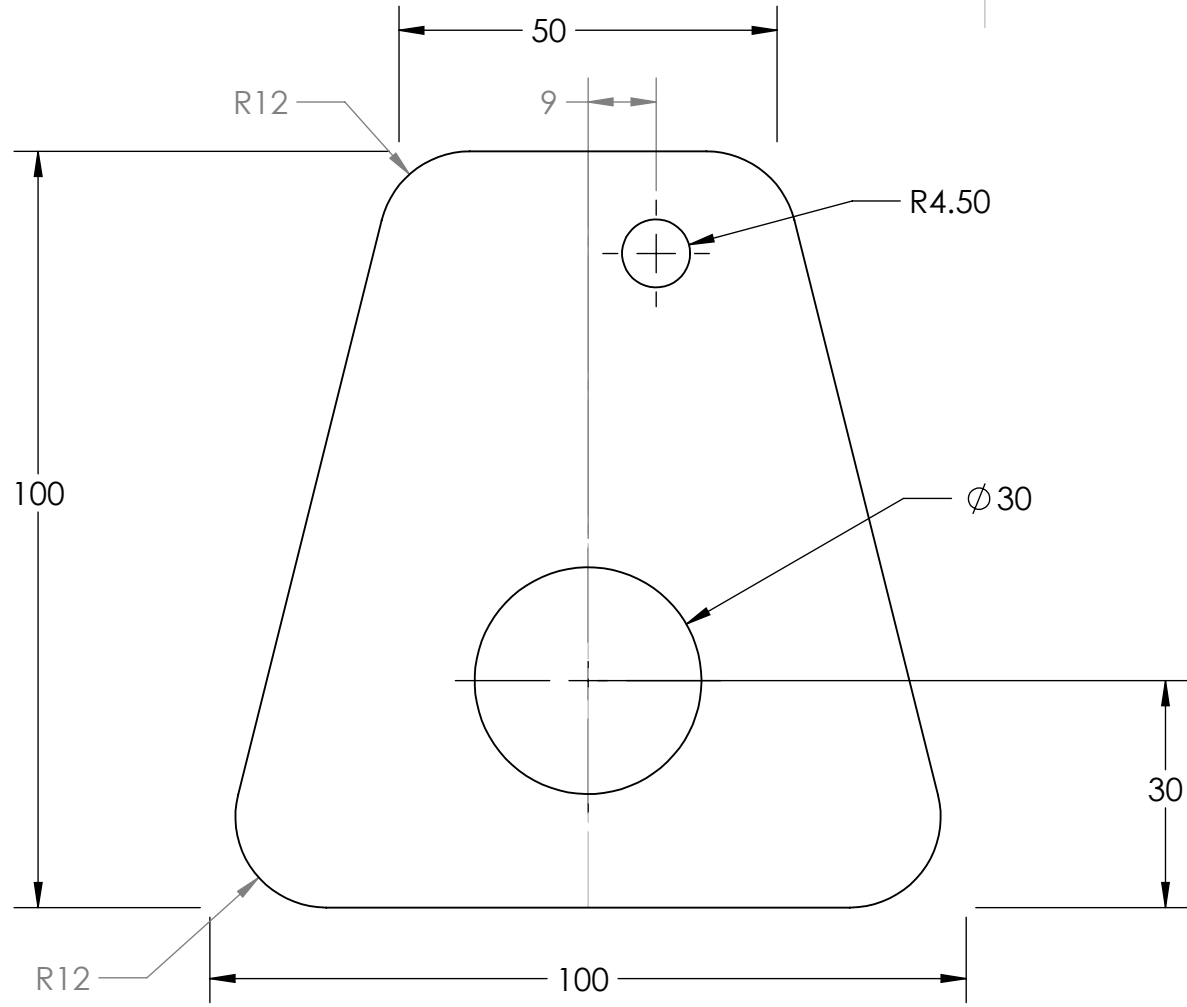
UNLESS OTHERWISE SPECIFIED:  
DIMENSIONS ARE IN MILLIMETERS  
SURFACE FINISH:  
TOLERANCES:  
LINEAR:  
ANGULAR:

FINISH:  
  
DEBUR AND  
BREAK SHARP  
EDGES

DO NOT SCALE DRAWING REVISION

	NAME	SIGNATURE	DATE		
DRAWN					
CHK'D					
APPV'D					
MFG					
Q.A					
				MATERIAL:	
				WEIGHT:	

TITLE:  
  
DWG NO. **paddle wheel front** A4



UNLESS OTHERWISE SPECIFIED:  
 DIMENSIONS ARE IN MILLIMETERS  
 SURFACE FINISH:  
 TOLERANCES:  
 LINEAR:  
 ANGULAR:

FINISH:

DEBUR AND  
 BREAK SHARP  
 EDGES

DO NOT SCALE DRAWING

REVISION

	NAME	SIGNATURE	DATE		
DRAWN					
CHK'D					
APPV'D					
MFG					
Q.A					

TITLE:

MATERIAL:

DWG NO.

trapeze

A4

WEIGHT:

SCALE:1:1

SHEET 1 OF 1