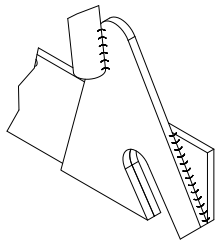
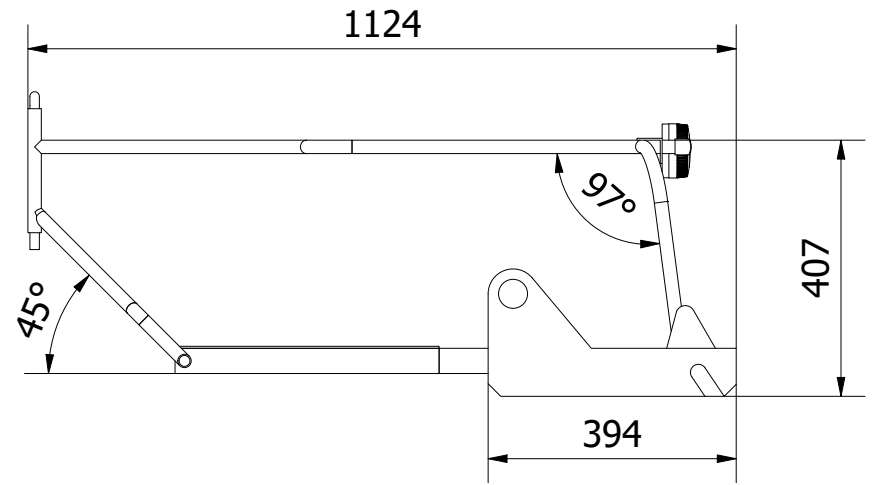
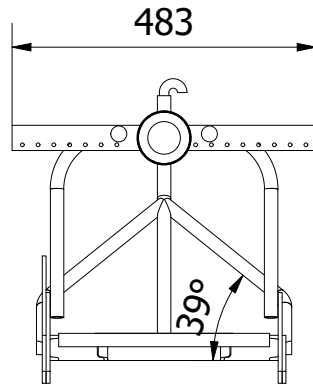
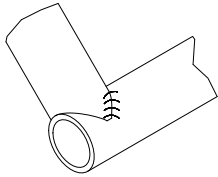
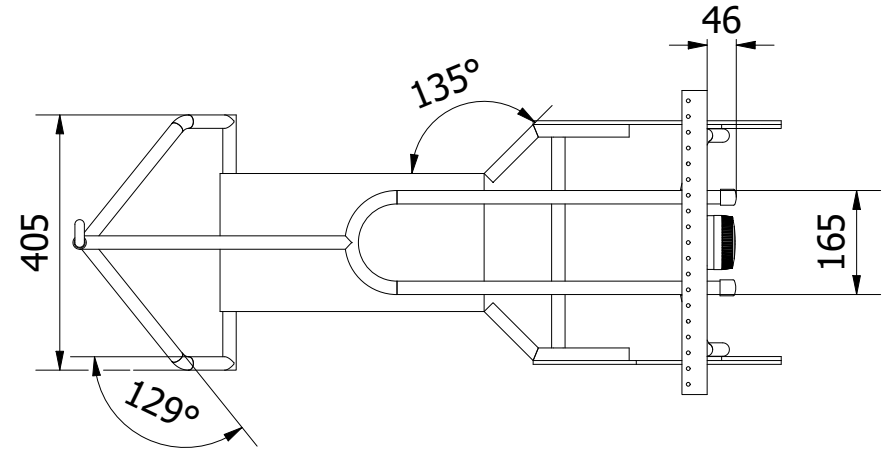
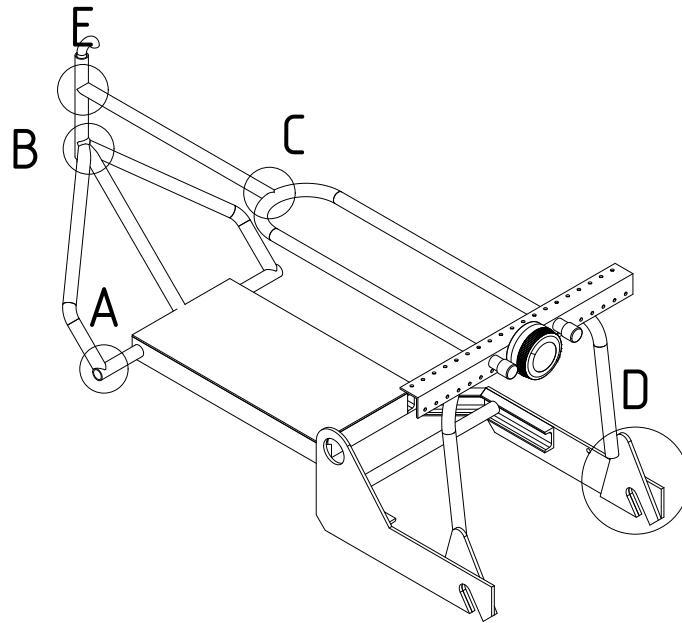


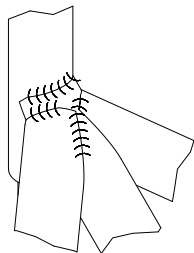
C (1 : 2.5)



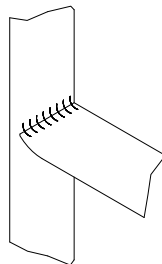
D (1 : 5)



A (1 : 2.5)

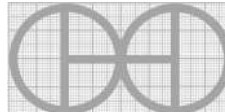


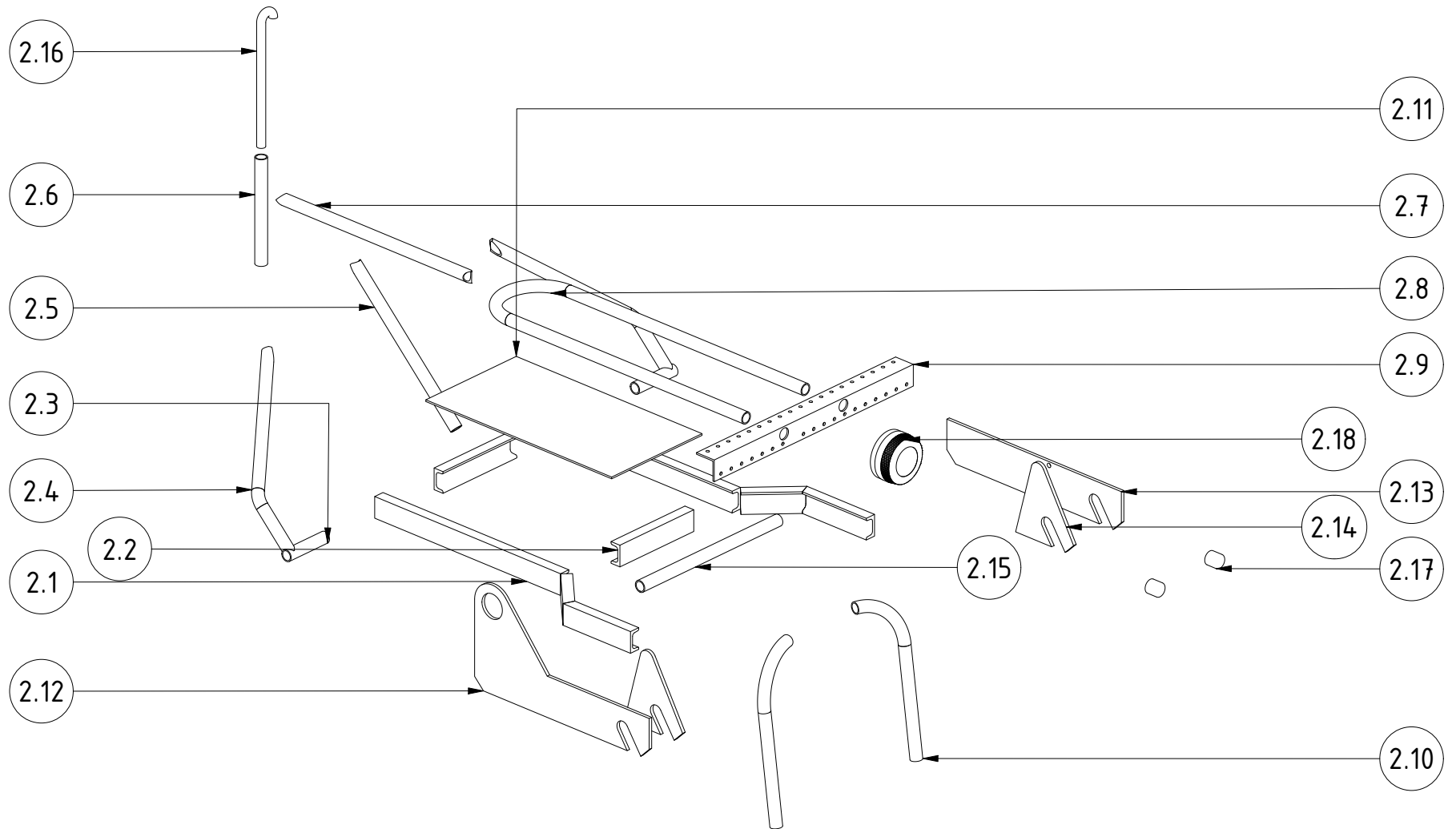
B (1 : 2.5)

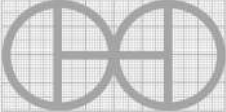


E (1 : 2.5)

Note: All units in mm.

PROJECT	CREATED BY	APPROVED BY	DATE	VERSION
Scooter with fat tire	J. Rosciano	A. Morillo	31/08/2021	1.2
PART NAME	FILE NAME			POS
Frame assembly	Frame assembly.iam			2.0
DEVELOPED BY	REDESIGNED BY	DOC. TYPE	MATERIAL	QUANTITY
		Assembly		1
		LICENCE	SCALE	SHEET
OHO	OHO e.V.	CC-BY-SA 4.0	1/12	17 /65



PROJECT	CREATED BY	APPROVED BY	DATE	VERSION
Scooter with fat tire	J. Rosciano	A. Morillo	31/08/2021	1.2
PART NAME	FILE NAME			POS
Frame assembly	Frame assembly.ipn			2.0
DEVELOPED BY	REDESIGNED BY	DOC. TYPE	MATERIAL	QUANTITY
		Part		1
OHO	OHO e.V.	LICENCE	SCALE	SHEET
		CC-BY-SA 4.0	1/10	18 /65