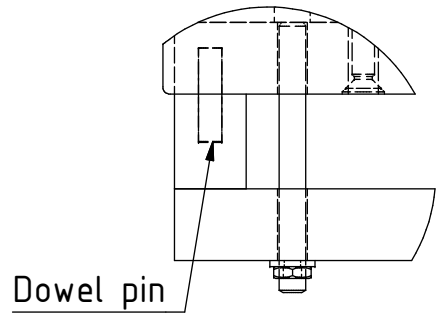
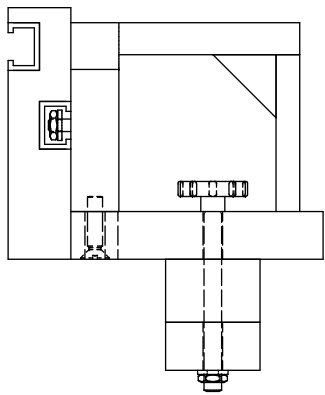
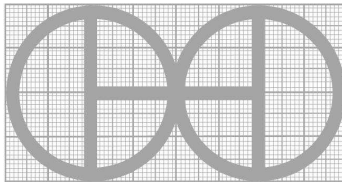


A ( 1 : 3 )

B ( 1 : 2 )



Note: All units in mm.

|                                 |                                                                                       |              |            |          |
|---------------------------------|---------------------------------------------------------------------------------------|--------------|------------|----------|
| PROJECT                         | CREATED BY                                                                            | APPROVED BY  | DATE       | VERSION  |
| Wood router table - size 560 mm | J. Zeron                                                                              | A. Morillo   | 14/10/2021 | 1.0      |
| PART NAME                       | FILE NAME                                                                             |              |            | POS      |
| Fence                           | Fence.ipn                                                                             |              |            | 3.0      |
| PUBLISHED BY                    |  | DOC. TYPE    | MATERIAL   | QUANTITY |
| OHO e.V.                        |                                                                                       | Assembly     |            | 1        |
|                                 |                                                                                       | LICENCE      | SCALE      | SHEET    |
|                                 |                                                                                       | CC-BY-SA 4.0 | 1:7        | 14 /22   |