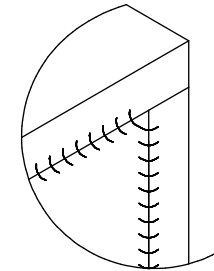
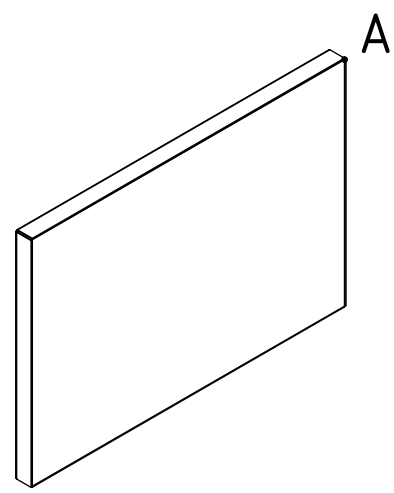
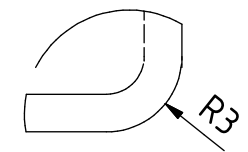


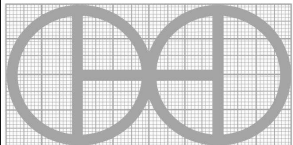
A (1 : 0.20)



B (1 : 0.30)



Note: All units in mm.

PROJECT	CREATED BY	APPROVED BY	DATE	VERSION
Rocket Bread Oven	D. Rodriguez	A. Morillo	25/10/2021	1.0
PART NAME	FILE NAME	POS		
Door sheet	Door sheet.ipt	3.1		
DEVELOPED BY	REDESIGNED BY	DOC. TYPE	MATERIAL	QUANTITY
GIZ		Part	Steel C45	2
		LICENCE	SCALE	SHEET
		CC-BY-SA 4.0	1:10	21 /36

OHO e.V.