
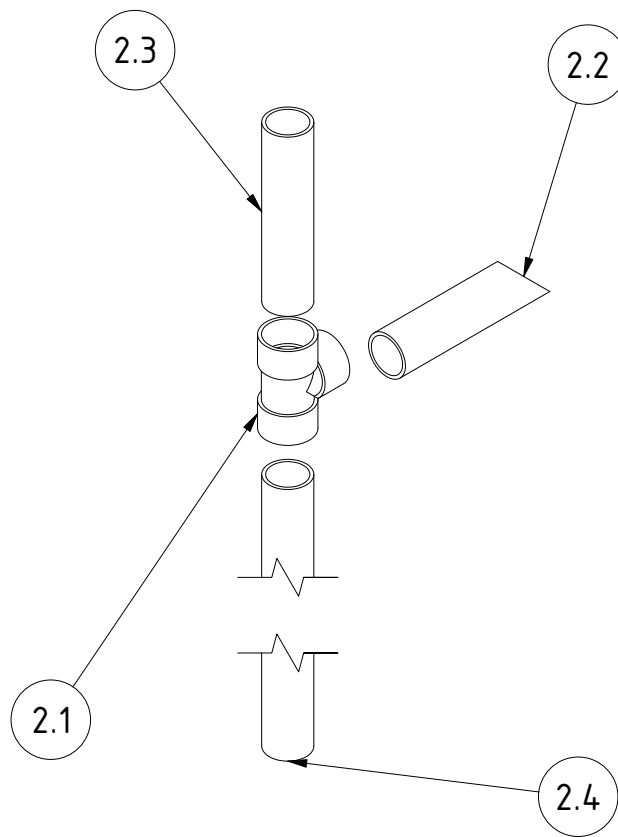



Note: All units in mm.

PROJECT	CREATED BY	APPROVED BY	DATE	VERSION
DTU Handpump	J. Rosciano	A. Morillo	17/06/2021	1.1
PART NAME	FILE NAME			POS
External assembly	2.0_External.iam			2.0
DEVELOPED BY	REDESIGNED BY	DOC. TYPE	MATERIAL	QUANTITY
		Assembly		1
University of Warwick, DTU	OHO e.V.	LICENCE	SCALE	SHEET
		CC-BY-SA 4.0	1/5	12 /23



Note: All units in mm.

PROJECT	CREATED BY	APPROVED BY	DATE	VERSION
DTU Handpump	J. Rosciano	A. Morillo	17/06/2021	1.1
PART NAME	FILE NAME			POS
External assembly	2.0_External.ipn			2.0
DEVELOPED BY	REDESIGNED BY	DOC. TYPE	MATERIAL	QUANTITY
		Assembly		1
		LICENCE	SCALE	SHEET
University of Warwick, DTU OHO e.V.		CC-BY-SA 4.0	1/7	13 /23