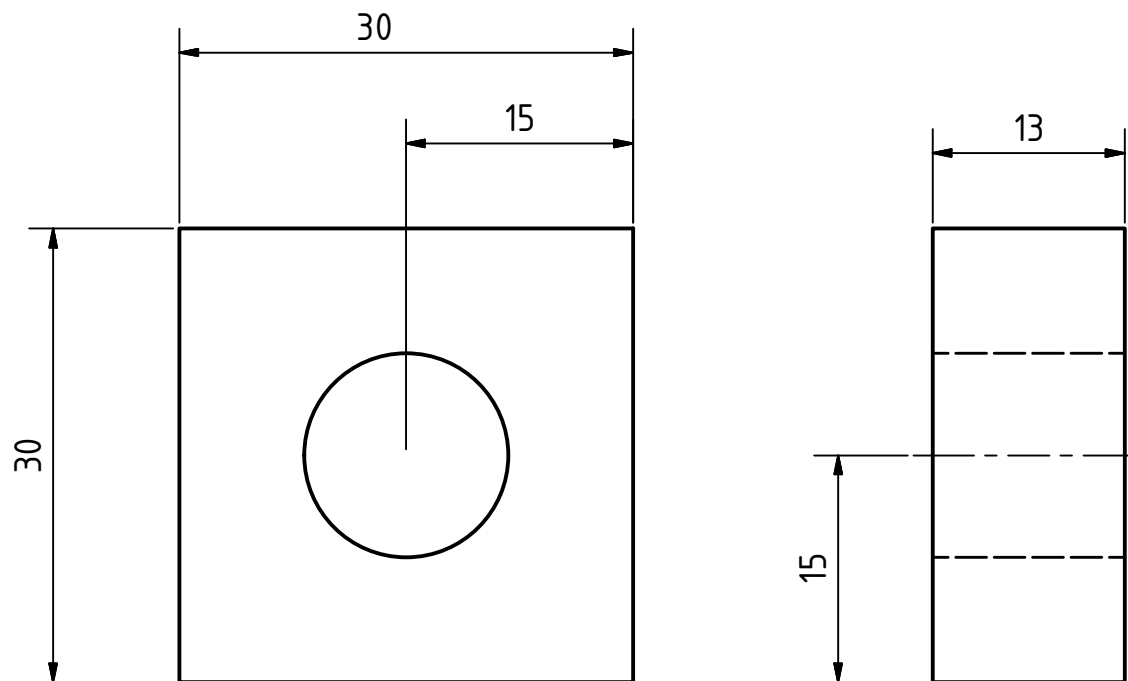
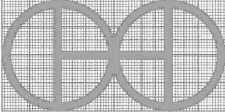


SCALE ( 2 : 1 )



SCALE ( 2 : 1 )

Note: All units in mm.

PROJECT	CREATED BY	APPROVED BY	DATE	VERSION
Press for Water Filters	L. Ruda	A. Morillo	01/09/2021	1.0
PART NAME	FILE NAME			POS
Plate 30	Plate 30.ipt			1.3.2
DEVELOPED BY	REDESIGNED BY	DOC. TYPE	MATERIAL	QUANTITY
	 OHO e.V.	Part	Steel C45	3
		LICENCE	SCALE	SHEET
		CC-BY-SA 4.0	2:1	11 /46