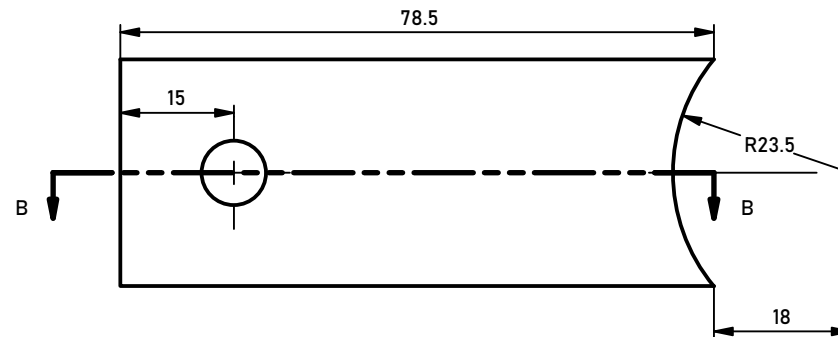
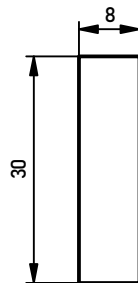




SECTION B-B  
SCALE 1:1



PROJECT <b>LONG ANDRE CARGO BIKE A</b>		CREATED BY <b>A. PARDO</b>		APPROVED BY D. Jaeger	
PART NAME wl_lacb_1.9_Short-steering-leve		PART CODE 1.9		DOCUMENT TYPE Production	
 		LICENSE <a href="https://creativecommons.org/licenses/by-sa/4.0/">CC-BY-SA 4.0</a>		MATERIAL A36	
		FILE NAME wl_lacb_1.9_Short-steering-lever		VERSION ipt1.0	
		SCALE 1:1		SHEET 11	
				DATE 28/12/2020	