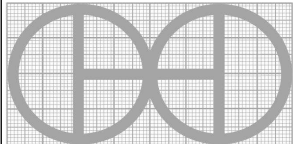
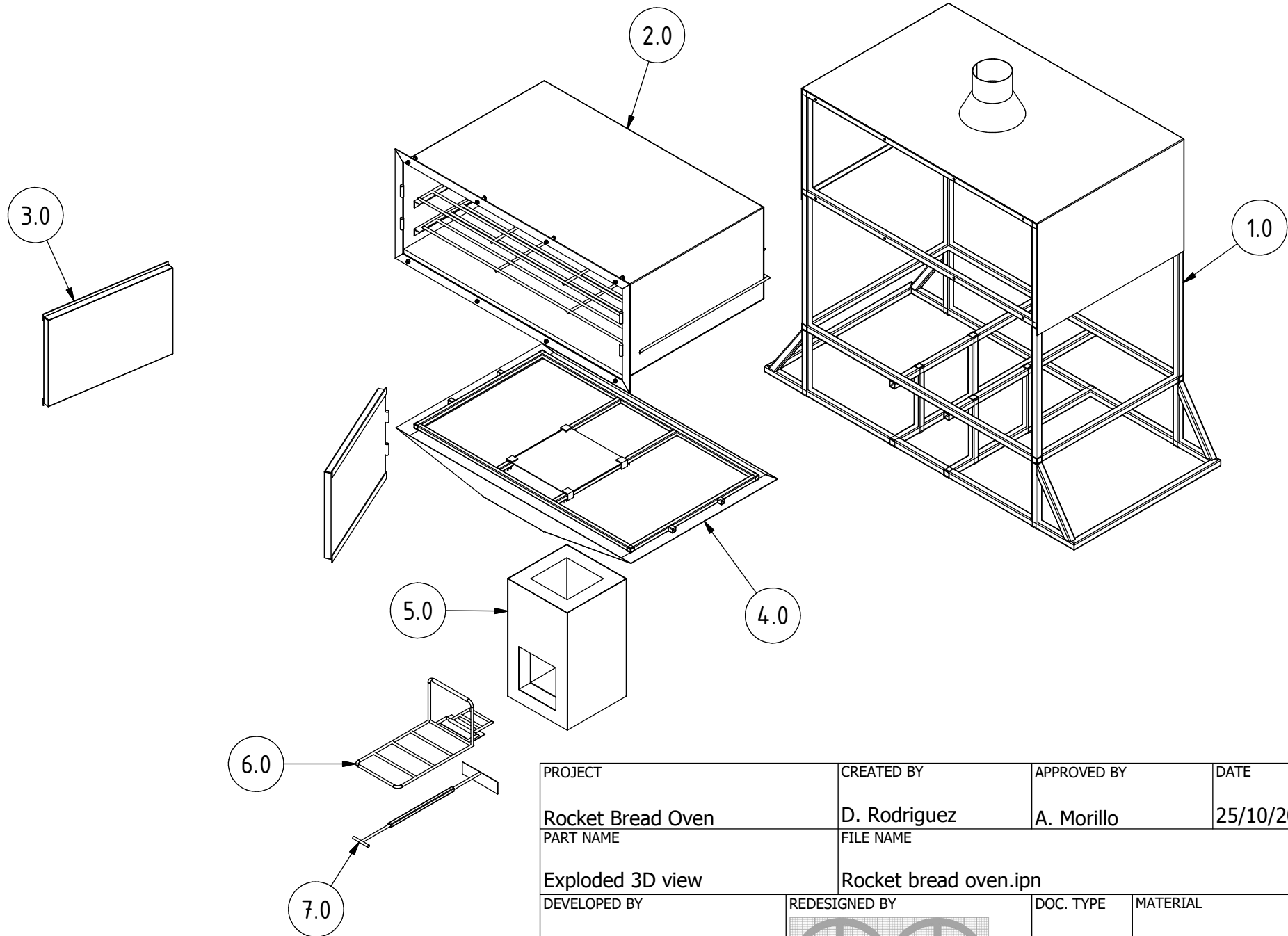
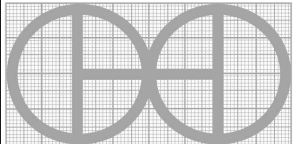


Note: All units in mm.

PROJECT	CREATED BY	APPROVED BY	DATE	VERSION
Rocket Bread Oven	D. Rodriguez	A. Morillo	25/10/2021	1.0
PART NAME	FILE NAME			POS
3D views	Rocket bread oven.iam			A1
DEVELOPED BY	REDESIGNED BY	DOC. TYPE	MATERIAL	QUANTITY
GIZ		OHO e.v. Assembly		1
		LICENCE	SCALE	SHEET
		CC-BY-SA 4.0	1:20	1 /36

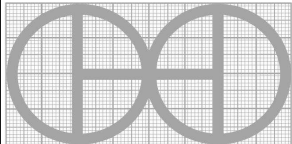


PROJECT	CREATED BY	APPROVED BY	DATE	VERSION
Rocket Bread Oven	D. Rodriguez	A. Morillo	25/10/2021	1.0
PART NAME	FILE NAME	POS		
Exploded 3D view	Rocket bread oven.ipn	A2		
DEVELOPED BY	REDESIGNED BY	DOC. TYPE	MATERIAL	QUANTITY
GIZ		Assembly		1
		LICENCE	SCALE	SHEET
		CC-BY-SA 4.0	1:20	2 /36

OHO e.V.

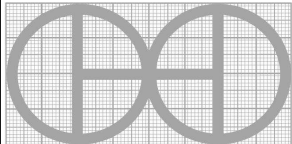
Parts list

POS	QTY	PART NAME	FILE NAME	PART TYPE	SPECIFICATIONS	SHEET
A1	1	3D views	Rocket bread oven.iam	-	-	1
A2	1	Exploded 3D view	Rocket bread oven.ipn	-	-	2
B1	-	Parts list	Rocket bread oven.csv	-	-	3
B2	-	Parts list	Rocket bread oven.csv	-	-	4
B3	-	Parts list	Rocket bread oven.csv	-	-	5
C1	-	Technical notes	-	-	-	6
1.0	1:30	Oven assembly	Oven assembly.ipn	-	-	7
1.1	2	Foot A	Foot A.ipt	Production	Steel A36	8
1.2	2	Foot B or upper rigidizer A	Foot B or upper rigidizer A.ipt	Production	Steel A36	9
1.3	4	Column A	-	Production	Steel A36 square tube 3x30x30x932mm	-
1.4	2	Stiffener A	-	Production	Steel A36 square tube 3x30x30x1265mm	-
1.5	4	Diagonal support	Diagonal support.ipt	Production	Steel A36	10
1.6	2	Stiffener B	-	Production	Steel A36 square tube 3x30x30x790mm	-
1.7	4	Amount	-	Production	Steel A36 square tube 3x30x30x300mm	-
1.8	4	Column B	-	Production	Steel A36 square tube 3x30x30x490mm	-
1.9	2	Upper rigidizer B.1	Upper rigidizer B.1.ipt	Production	Steel A36	11
1.10	2	Upper rigidizer B.2	Upper rigidizer B.2.ipt	Production	Steel A36	12
1.11	1	Isolation A	Isolation A.ipt	Production	Fiberglass	13
1.12	1	Layer	Layer.ipt	Production	Steel C45	14
1.13	1	Chimney	Chimney.ipt	Production	Steel C45	15
2.0	1	Baking chamber	Baking chamber.ipn	-	-	16
2.1	1	Baking sheet	Baking sheet.ipt	Production	Steel C45	17
2.2	4	Slide	-	Production	Steel A36 angle 3x30x30x700mm	-
2.3	2	Frame connector	-	Production	Steel A36 square bar 10x429mm	-
2.4	1	Isolation B	-	Production	Fireproof fiberglass mesh cloth dyer pattern 754x1177mm	-
2.5	2	Platen A	Platen A.ipt	Production	Steel A36	18
2.6	2	Platen B	Platen B.ipt	Production	Steel A36	19
2.7	22	Bar tray A	-	Production	Steel A36 round bar 10x1167mm	-
2.8	8	Bar tray B	-	Production	Steel A36 round bar 10x697mm	-
2.9	8	Screw	-	Standard	ISO 4014 M8x45 with nut ISO 4032 M8	-

PROJECT		CREATED BY		APPROVED BY		DATE		VERSION	
Rocket Bread Oven		D. Rodriguez		A. Morillo		25/10/2021		1.0	
PART NAME		FILE NAME						POS	
Parts list		Rocket bread oven.csv						B1	
DEVELOPED BY		REDESIGNED BY		DOC. TYPE		MATERIAL		QUANTITY	
GIZ				Parts list					
				LICENCE		SCALE		SHEET	
				CC-BY-SA 4.0				3 /36	

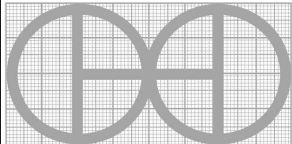
Parts list

POS	QTY	PART NAME	FILE NAME	PART TYPE	SPECIFICATIONS	SHEET
3.0	2	Door	Door.ipn	-	-	20
3.1	2	Door sheet	Door sheet.ipt	Production	Steel C45	21
3.2	2	Isolation C	-	Production	Fireproof fiberglass mesh cloth dyer pattern 402x586mm	-
3.3	4	Platen C	-	Production	Steel A36 platen 3x30x589mm	-
3.4	4	Hinge	-	Buy	Stainless steel hinge 50x50mm	-
4.0	1	Transition assembly	Transition assembly.ipn	-	-	22
4.1	1	Transition sheet	Transition sheet.ipt	Production	Steel C45	23
4.2	1	Isolation D	Isolation D.ipt	Production	Ceramic refractory	24
4.3	4	Vertical support	-	Production	Steel A36 square tube 2x20x20x86mm	-
4.4	4	Top frame	-	Production	Steel A36 square tube 2x20x20x690mm	-
4.5	4	Horizontal support	-	Production	Steel A36 square tube 2x20x20x20mm	-
4.6	2	Outer frame	-	Production	Steel A36 square tube 2x20x20x1165mm	-
4.7	1	Baffle	-	Production	Steel C45 sheet gauge 18 320x314mm	-
4.8	4	Baffle connector	-	Production	Steel A36 angle 4x30x30x30mm	-
5.0	1	Combustion chamber	Combustion chamber.ipn	-	-	25
5.1	1	Combustion box	Combustion box.ipt	Production	Steel C45	26
5.2	1	Isolation E	Isolation E.ipt	Production	Ceramic refractory	27
6.0	1	Grate	Grate.ipn	-	-	28
6.1	1	Outer bar	Outer bar.ipt	Production	Steel A36	29
6.2	1	Middle outer bar	Middle outer bar.ipt	Production	Steel A36	30
6.3	3	Middle bar	-	Production	Steel A36 round bar 10x230mm	-
6.4	2	Vertical bar	Vertical bar.ipt	Production	Steel A36	31
6.5	1	Jacket tube A	-	Production	Steel A53 iron black 1/4" 190mm	-
6.6	2	Extension bar A	Extension bar A.ipt	Production	Steel A36	32
6.7	1	Extension bar B	Extension bar B.ipt	Production	Steel A36	33
6.8	1	Jacket tube B	-	Production	Steel A53 iron black 1/4" 190mm	-
6.9	1	Connector bar	-	Production	Steel A36 round bar 10x120mm	-
6.10	2	Handle bar A	Handle bar A.ipt	Production	Steel A36	34
6.11	1	Handle bar B	Handle bar B.ipt	Production	Steel A36	35
6.12	1	Position sheet	-	Production	Steel C45 sheet gauge 18 70x180mm	-

PROJECT		CREATED BY	APPROVED BY	DATE	VERSION
Rocket Bread Oven		D. Rodriguez	A. Morillo	25/10/2021	1.0
PART NAME		FILE NAME			POS
Parts list		Rocket bread oven.csv			B2
DEVELOPED BY	REDESIGNED BY	DOC. TYPE	MATERIAL		QUANTITY
GIZ		Parts list			
		LICENCE		SCALE	SHEET
		CC-BY-SA 4.0			4 /36

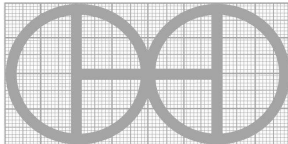
Parts list

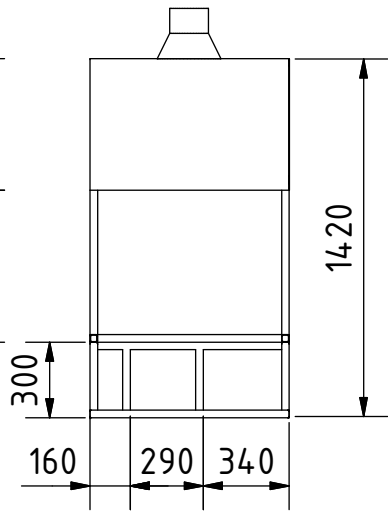
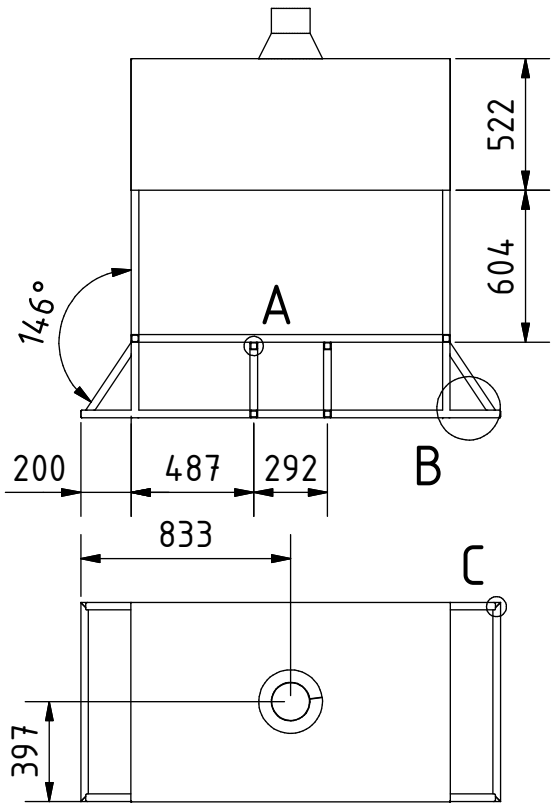
POS	QTY	PART NAME	FILE NAME	PART TYPE	SPECIFICATIONS	SHEET
7.0	1	Ash remover	Ash remover.ipn	-	-	36
7.1	1	Handle bracket A	-	Production	Steel A36 round bar 10x640mm	-
7.2	1	Handle bracket B	-	Production	Steel A36 square tube 2x15x15x340mm	-
7.3	1	Handle	-	Production	Steel A36 round bar 10x80mm	-
7.4	4	Scrapper	-	Production	Steel C45 sheet gauge 18 55x190mm	-

PROJECT		CREATED BY		APPROVED BY		DATE		VERSION	
Rocket Bread Oven		D. Rodriguez		A. Morillo		25/10/2021		1.0	
PART NAME			FILE NAME					POS	
Parts list			Rocket bread oven.csv					B3	
DEVELOPED BY			REDESIGNED BY		DOC. TYPE		MATERIAL		QUANTITY
GIZ					OHO e.V. Parts list LICENCE		SCALE		SHEET
					CC-BY-SA 4.0				5 /36

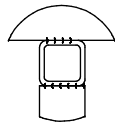
TECHNICAL NOTES

NOTES	CONTENT
GENERAL NOTES	
Metal structure treatment	<ul style="list-style-type: none"> - Iron structures should be painted to prevent rust and improve equipment life. - Remove loose rust with a wire brush, sandpaper or chemical rust remover. - If applicable, sand areas where paint is chipping until surface is smooth. - Remove dust or oil with a degreaser or denatured alcohol. - Prime surface to protect against rust and corrosion.

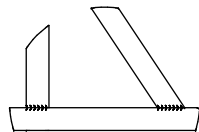
PROJECT Rocket Bread Oven	CREATED BY D. Rodriguez	APPROVED BY A. Morillo	DATE 25/10/2021	VERSION 1.0
PART NAME Technical notes	FILE NAME			POS C1
DEVELOPED BY GIZ	REDESIGNED BY 	DOC. TYPE Technical notes	MATERIAL	QUANTITY SHEET 6 /36
		OHO e.V. LICENCE CC-BY-SA 4.0	SCALE	



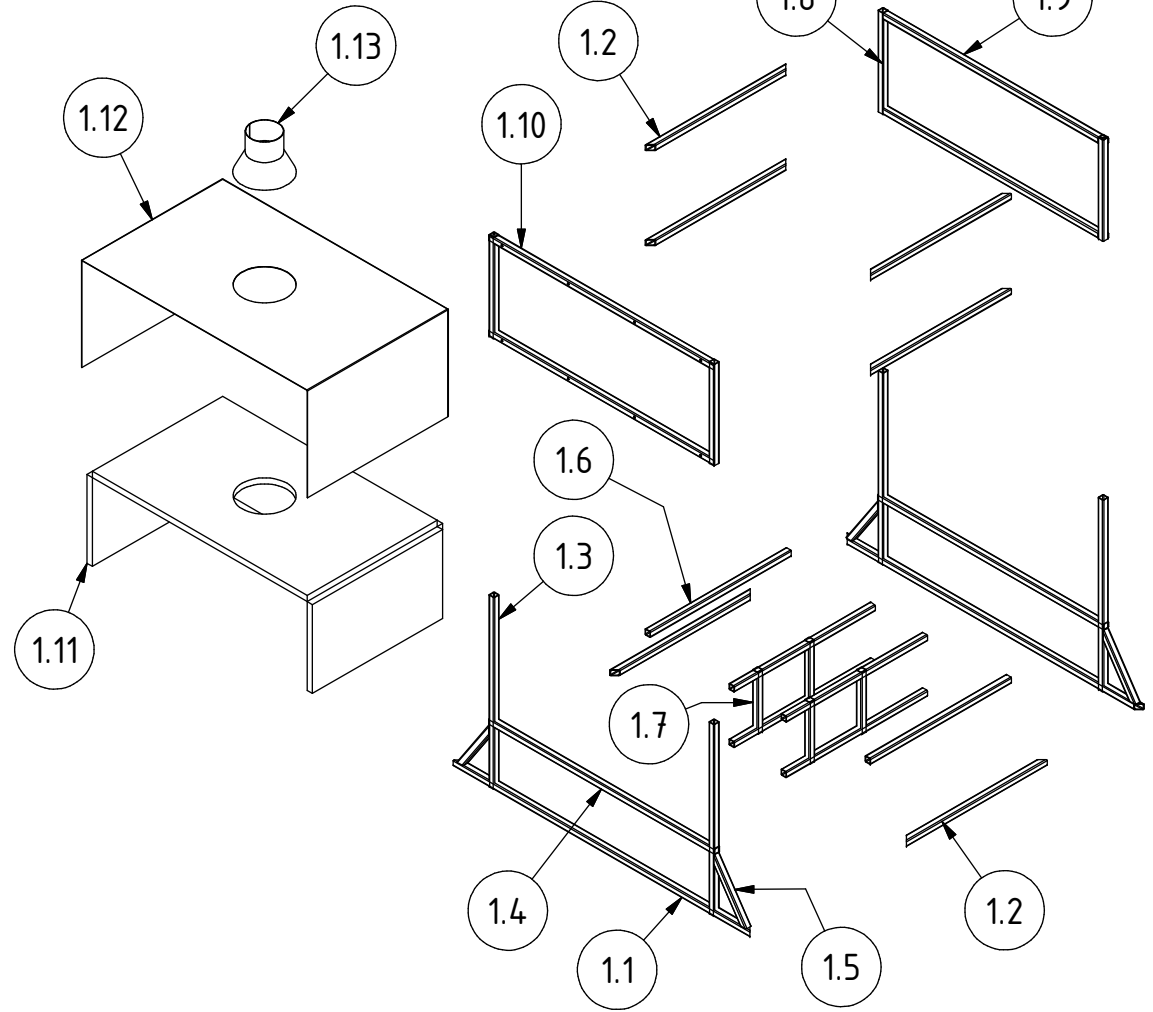
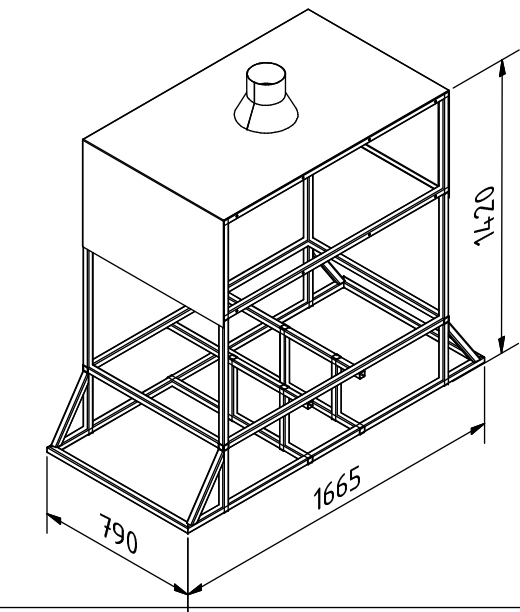
A (1 : 5)



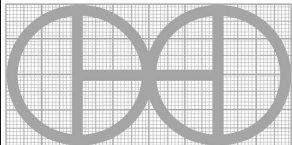
B (1 : 10)

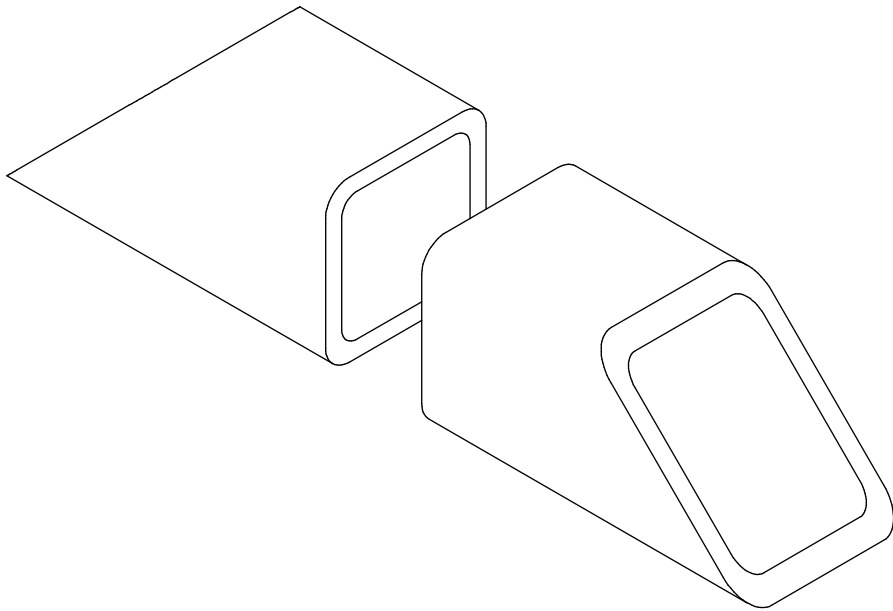
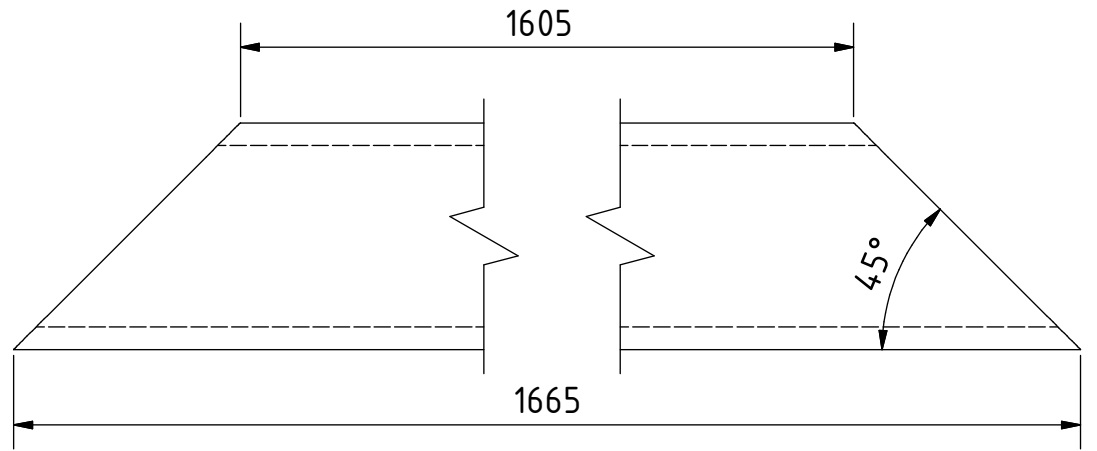
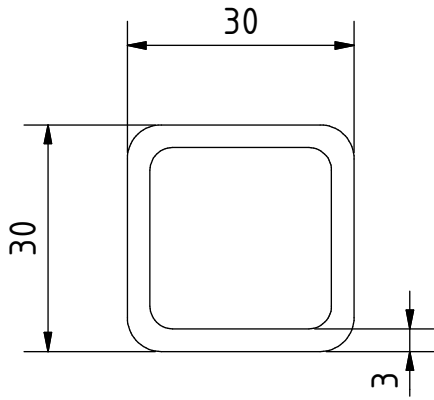


C (1 : 5)

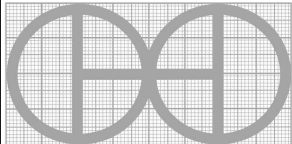


Note: All units in mm.

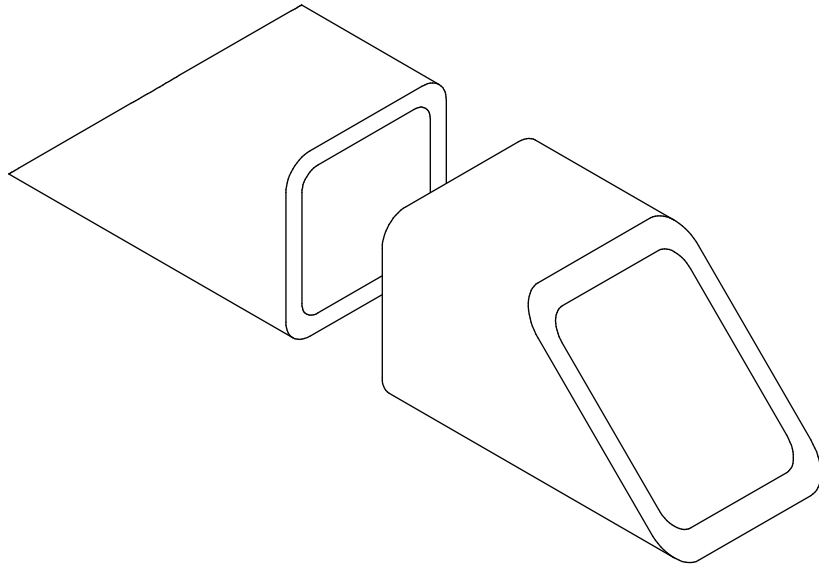
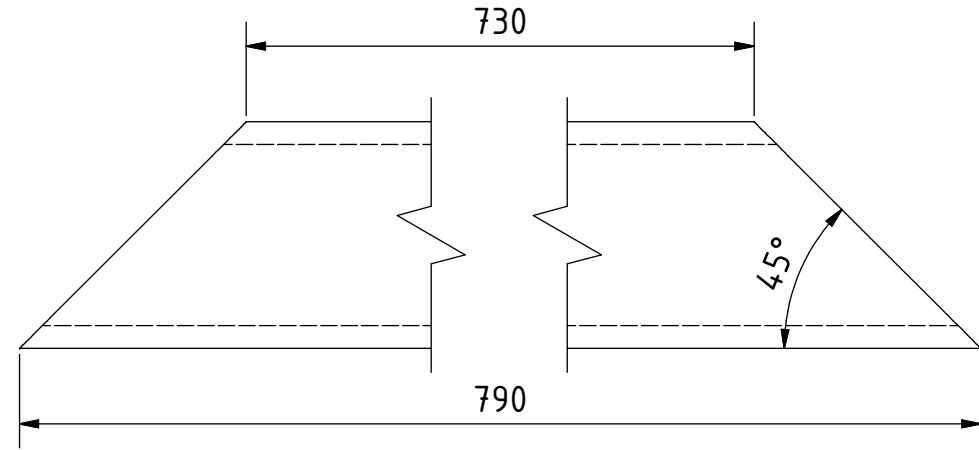
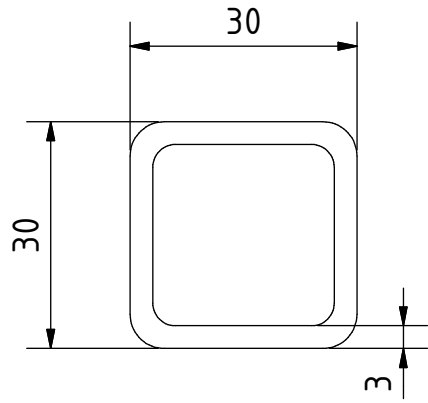
PROJECT	CREATED BY	APPROVED BY	DATE	VERSION
Rocket Bread Oven	D. Rodriguez	A. Morillo	25/10/2021	1.0
PART NAME	FILE NAME			POS
Oven assembly	Oven assembly.ipn			1.0
DEVELOPED BY	REDESIGNED BY	DOC. TYPE	MATERIAL	QUANTITY
		Assembly		1:30
GIZ		LICENCE	SCALE	SHEET
		CC-BY-SA 4.0	1:30	7 /36



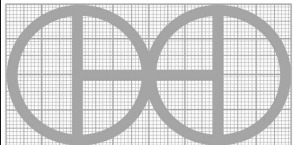
Note: All units in mm.

PROJECT	CREATED BY	APPROVED BY	DATE	VERSION
Rocket Bread Oven	D. Rodriguez	A. Morillo	25/10/2021	1.0
PART NAME	FILE NAME			POS
Foot A	Foot A.ipt			1.1
DEVELOPED BY	REDESIGNED BY	DOC. TYPE	MATERIAL	QUANTITY
		Part	Steel A36	2
		LICENCE	SCALE	SHEET
GIZ		CC-BY-SA 4.0	1:1	8 /36

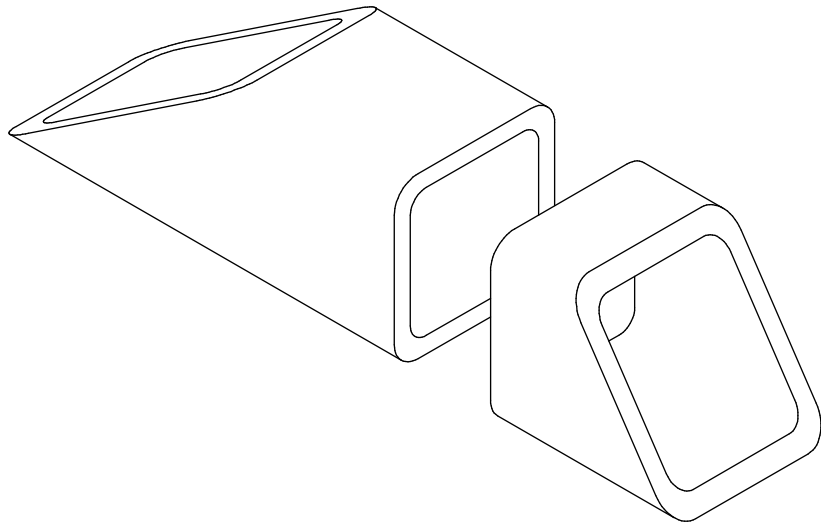
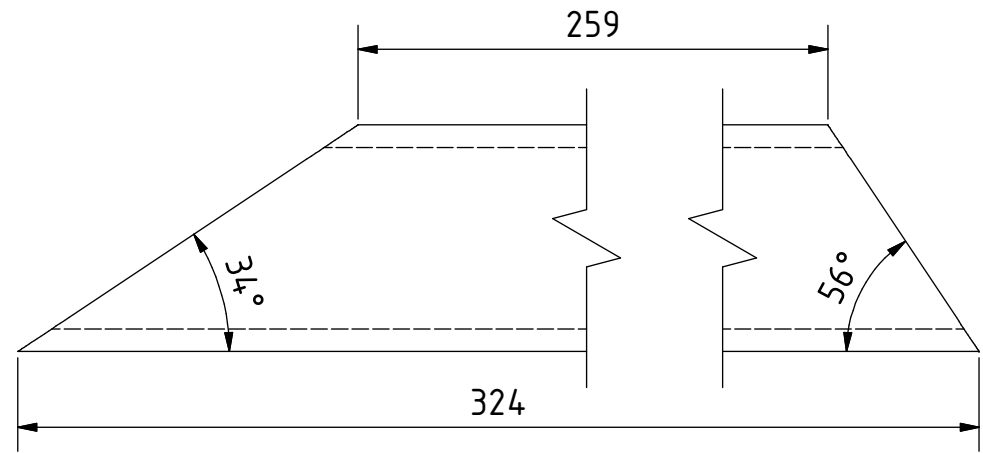
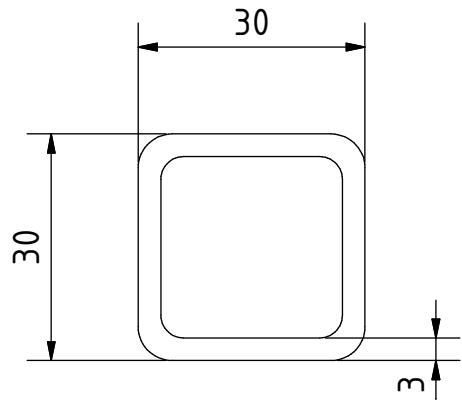
OHO e.V.



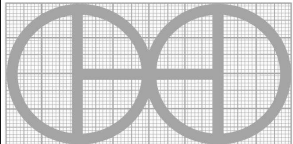
Note: All units in mm.

PROJECT	CREATED BY	APPROVED BY	DATE	VERSION
Rocket Bread Oven	D. Rodriguez	A. Morillo	25/10/2021	1.0
PART NAME	FILE NAME			POS
Foot B or upper rigidizer A	Foot B or upper rigidizer A.ipt			1.2
DEVELOPED BY	REDESIGNED BY	DOC. TYPE	MATERIAL	QUANTITY
		Part	Steel A36	2
GIZ		LICENCE	SCALE	SHEET
		CC-BY-SA 4.0	1:1	9 /36

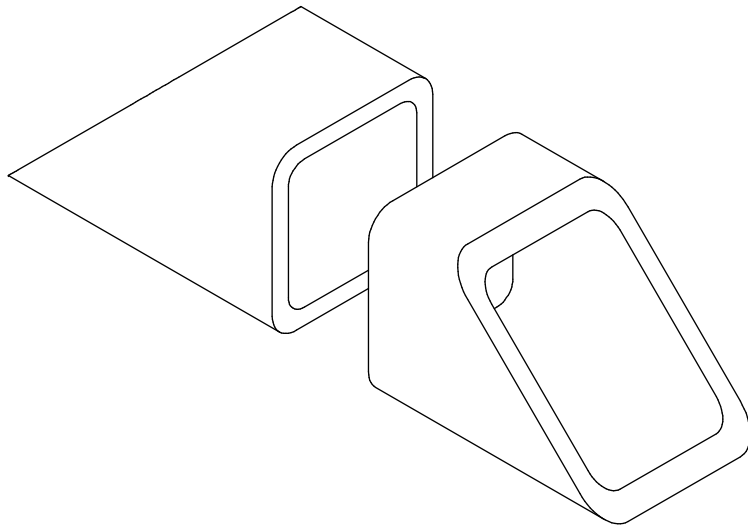
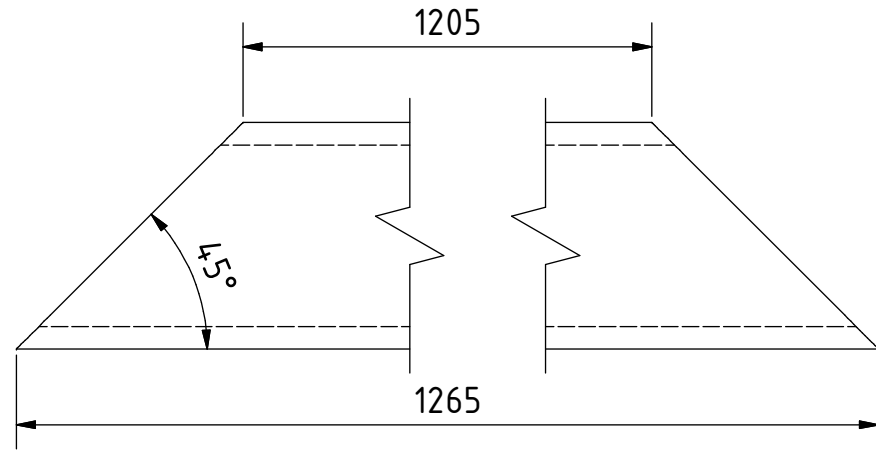
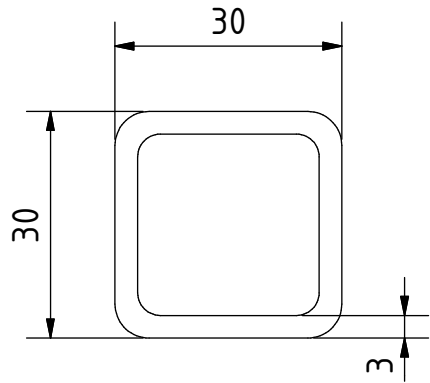
OHO e.V.



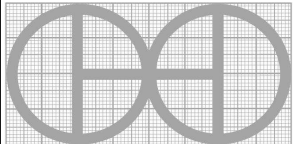
Note: All units in mm.

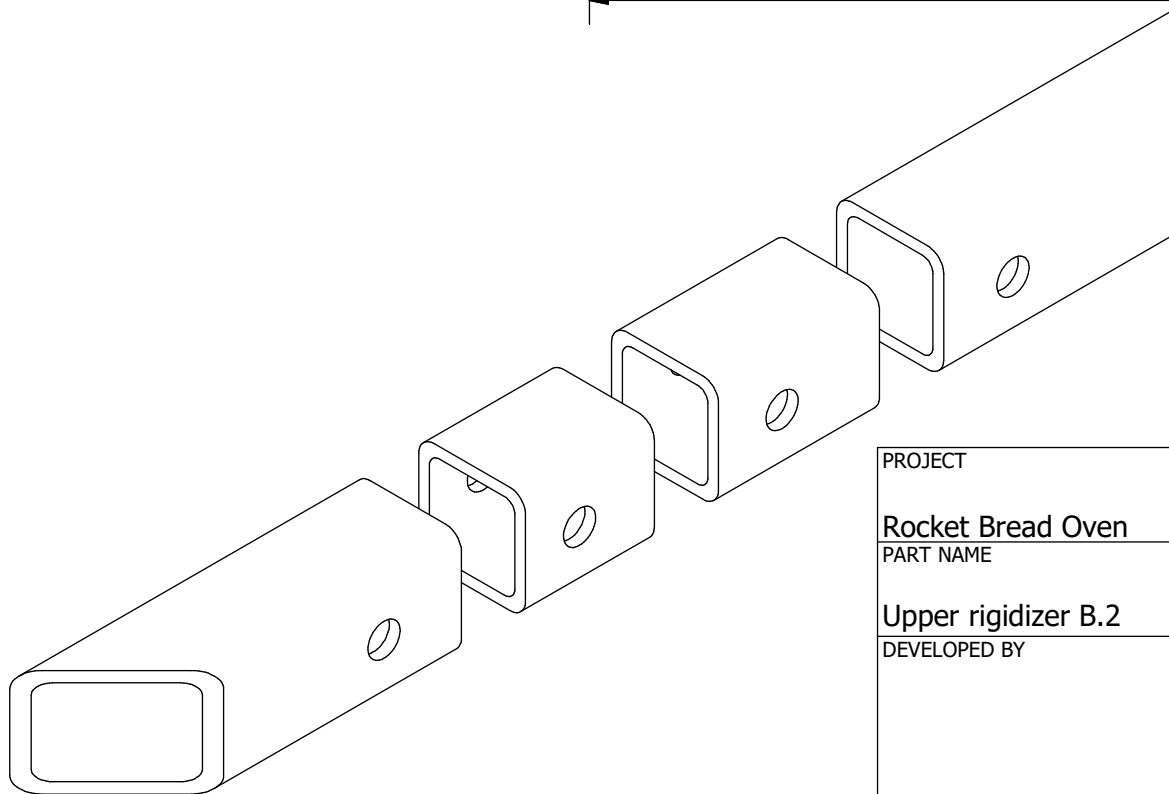
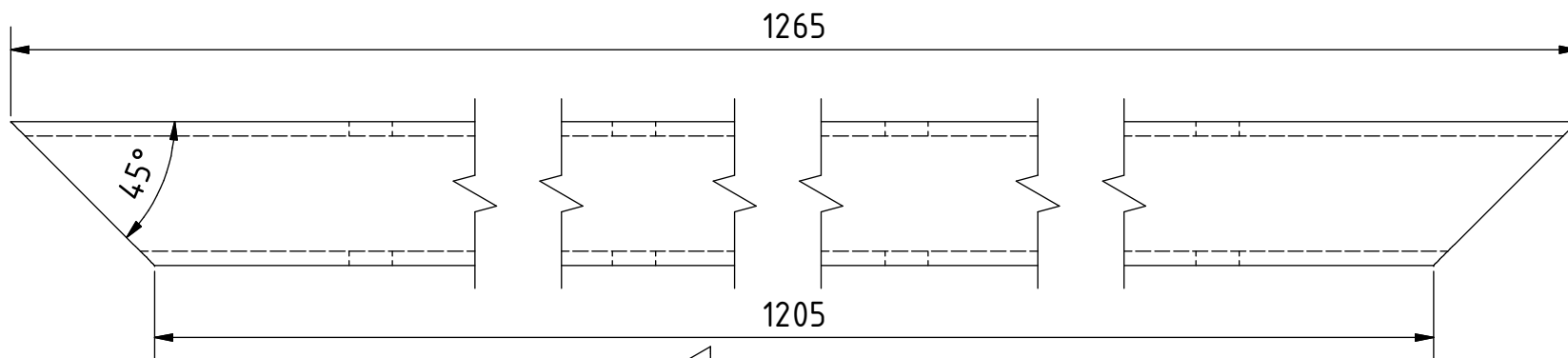
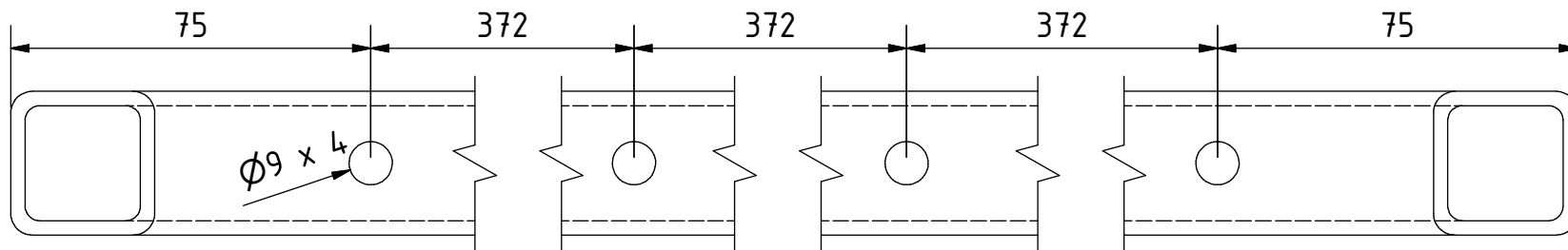
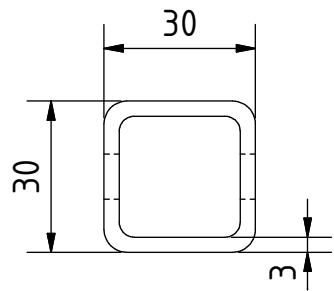
PROJECT	CREATED BY	APPROVED BY	DATE	VERSION
Rocket Bread Oven	D. Rodriguez	A. Morillo	25/10/2021	1.0
PART NAME	FILE NAME			POS
Diagonal support	Diagonal support.ipt			1.5
DEVELOPED BY	REDESIGNED BY	DOC. TYPE	MATERIAL	QUANTITY
		Part	Steel A36	4
GIZ		LICENCE	SCALE	SHEET
		CC-BY-SA 4.0	1:1	10 /36

OHO e.V.

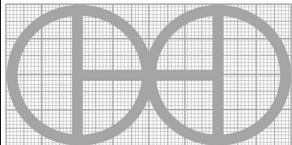


Note: All units in mm.

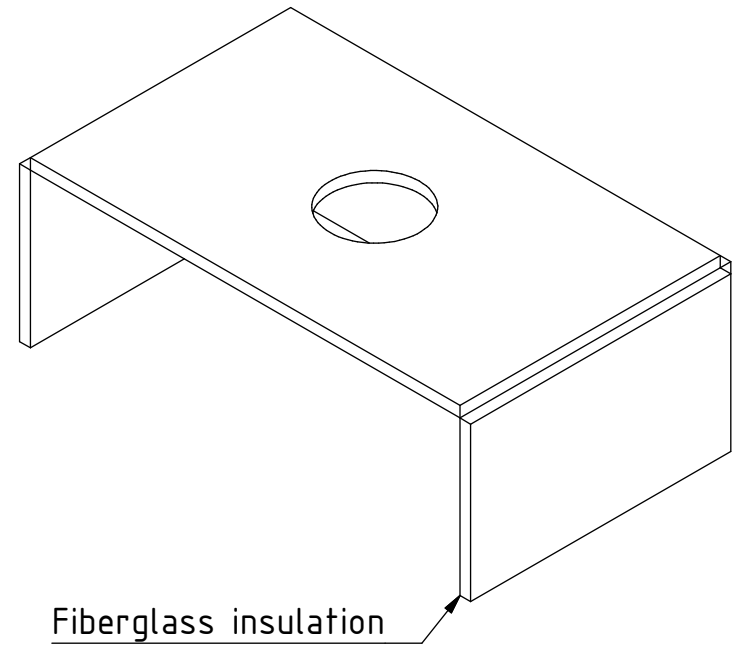
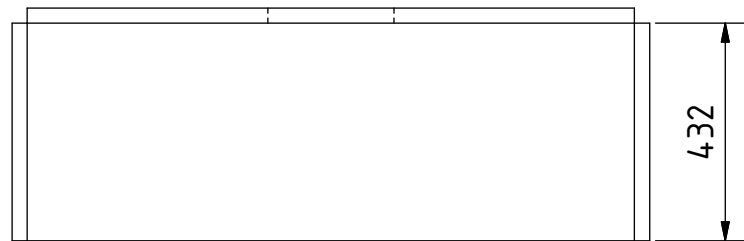
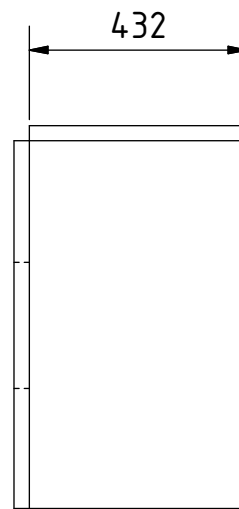
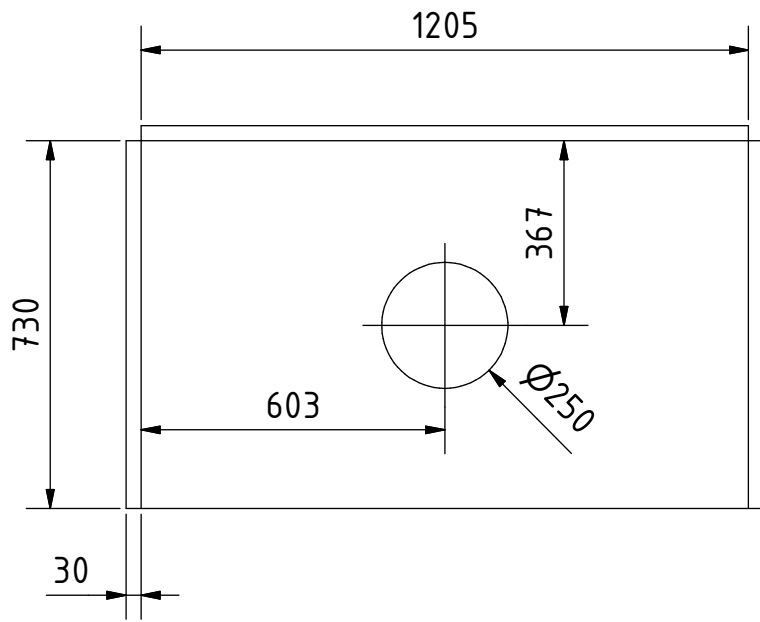
PROJECT	CREATED BY	APPROVED BY	DATE	VERSION
Rocket Bread Oven	D. Rodriguez	A. Morillo	25/10/2021	1.0
PART NAME	FILE NAME			POS
Upper rigidizer B.1	Upper rigidizer B.1.ipt			1.9
DEVELOPED BY	REDESIGNED BY	DOC. TYPE	MATERIAL	QUANTITY
		Part	Steel A36	2
GIZ		LICENCE	SCALE	SHEET
		CC-BY-SA 4.0	1:1	11 /36



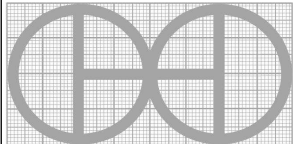
Note: All units in mm.

PROJECT	CREATED BY	APPROVED BY	DATE	VERSION
Rocket Bread Oven	D. Rodriguez	A. Morillo	25/10/2021	1.0
PART NAME	FILE NAME			POS
Upper rigidizer B.2	Upper rigidizer B.2.ipt			1.10
DEVELOPED BY	REDESIGNED BY	DOC. TYPE	MATERIAL	QUANTITY
		Part	Steel A36	2
GIZ		LICENCE	SCALE	SHEET
		CC-BY-SA 4.0	1:1.5	12 /36

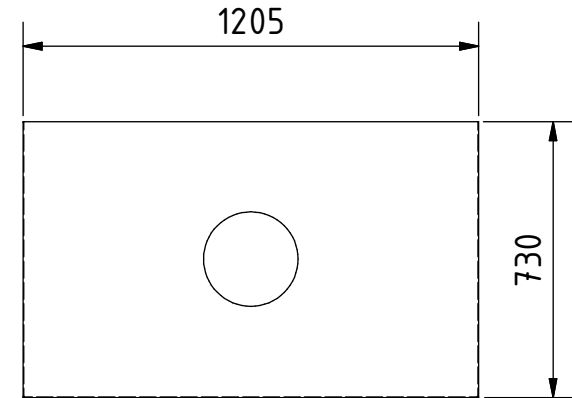
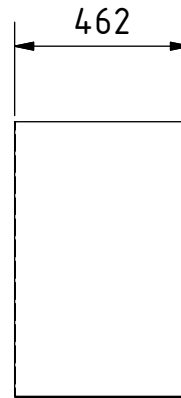
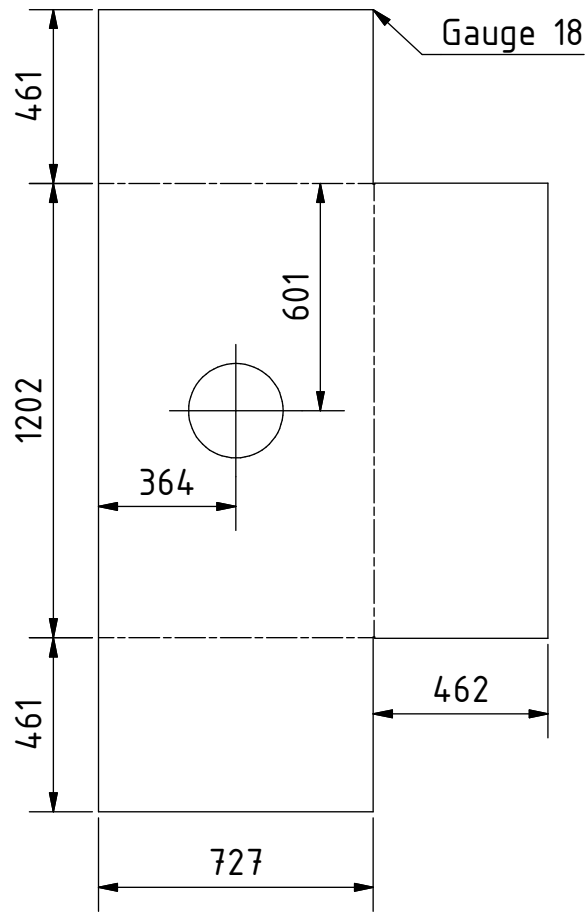
OHO e.V.



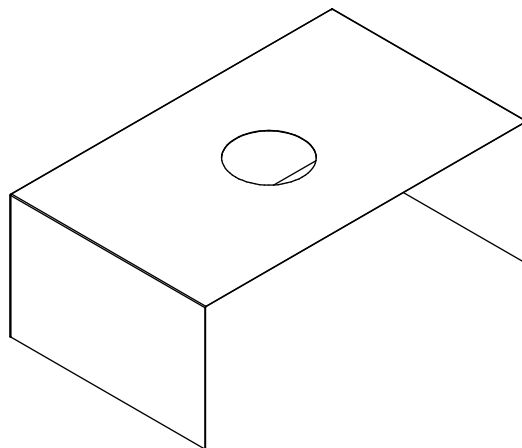
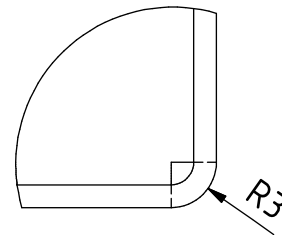
Note: All units in mm.

PROJECT	CREATED BY	APPROVED BY	DATE	VERSION
Rocket Bread Oven	D. Rodriguez	A. Morillo	25/10/2021	1.0
PART NAME	FILE NAME			POS
Isolation A	Isolation A.ipt			1.11
DEVELOPED BY	REDESIGNED BY	DOC. TYPE	MATERIAL	QUANTITY
		Part	Fiberglass	1
GIZ		LICENCE	SCALE	SHEET
		CC-BY-SA 4.0	1:15	13 /36

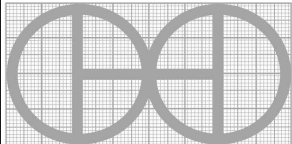
OHO e.V.



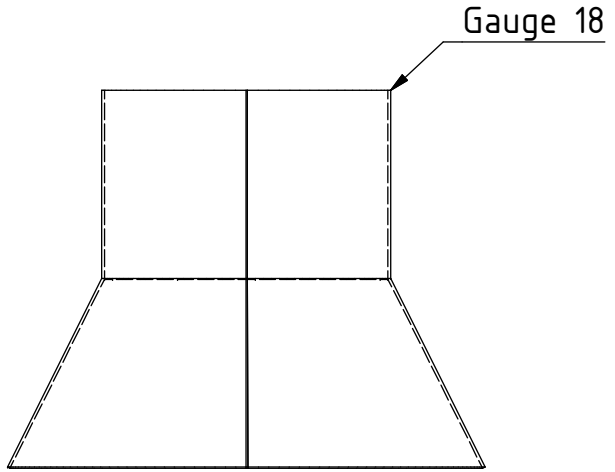
A (1 : 0.50)



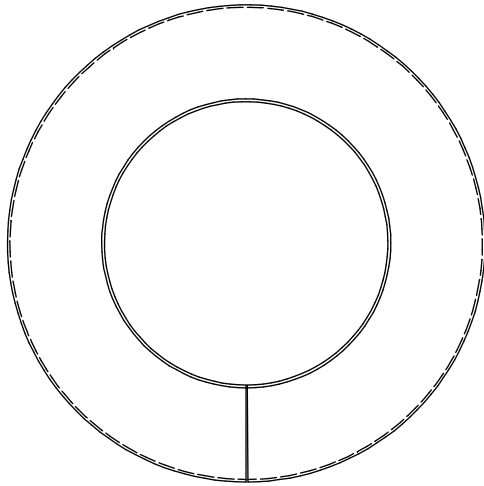
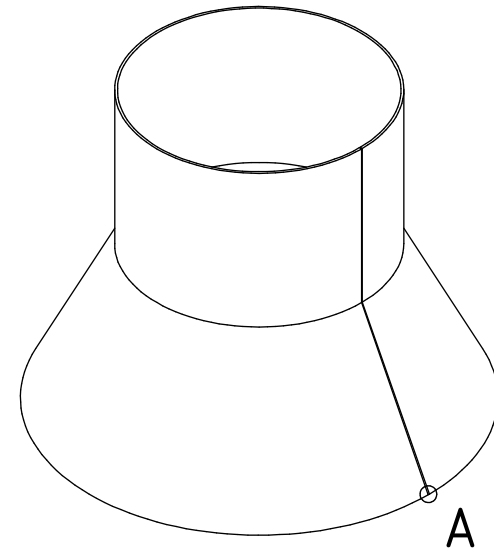
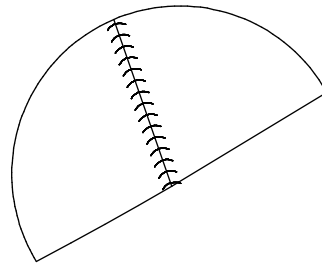
Note: All units in mm.

PROJECT	CREATED BY	APPROVED BY	DATE	VERSION
Rocket Bread Oven	D. Rodriguez	A. Morillo	25/10/2021	1.0
PART NAME	FILE NAME			POS
Layer	Layer.ipt			1.12
DEVELOPED BY	REDESIGNED BY	DOC. TYPE	MATERIAL	QUANTITY
GIZ		Part	Steel C45	1
		LICENCE	SCALE	SHEET
		CC-BY-SA 4.0	1:20	14 /36

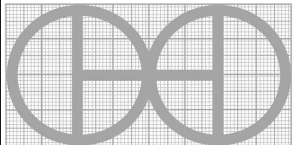
OHO e.V.



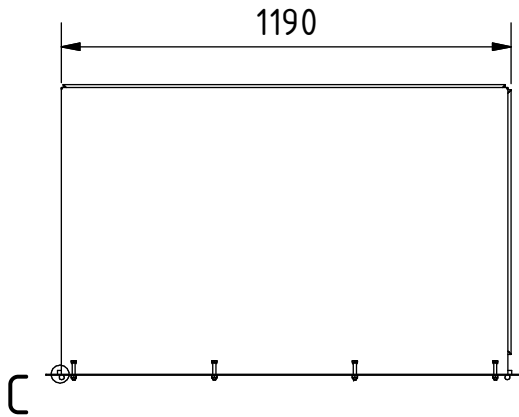
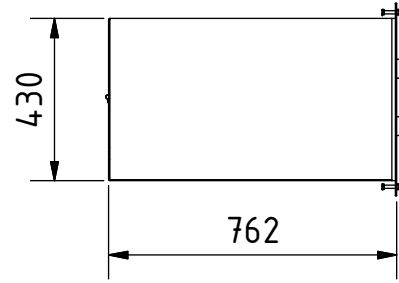
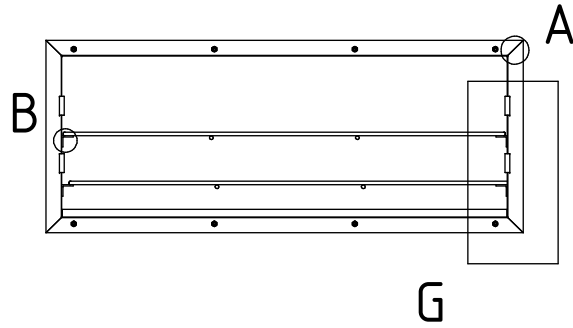
A (1 : 0.20)



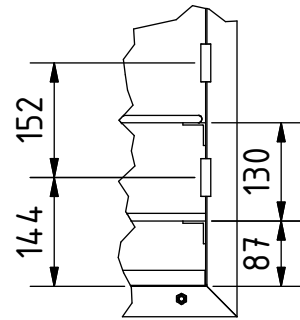
Note: All units in mm.

PROJECT	CREATED BY	APPROVED BY	DATE	VERSION
Rocket Bread Oven	D. Rodriguez	A. Morillo	25/10/2021	1.0
PART NAME	FILE NAME			POS
Chimney	Chimney.ipt			1.13
DEVELOPED BY	REDESIGNED BY	DOC. TYPE	MATERIAL	QUANTITY
GIZ		Part	Steel C45	1
		LICENCE	SCALE	SHEET
		CC-BY-SA 4.0	1:4	15 /36

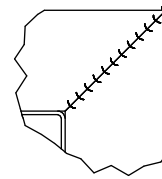
OHO e.V.



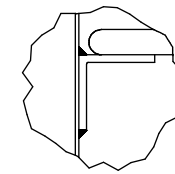
D (1 : 10)



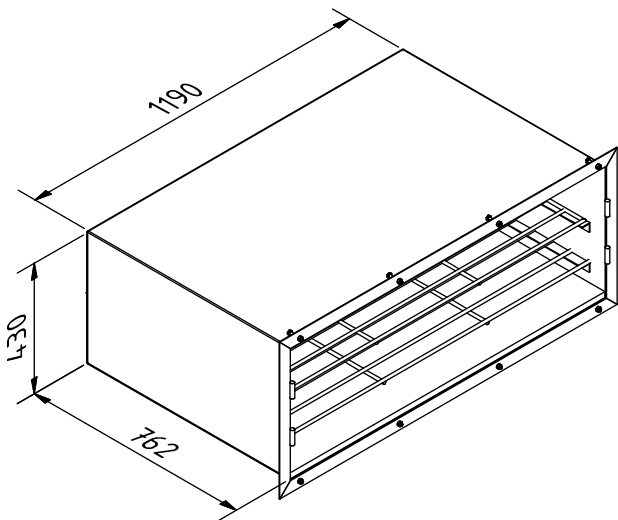
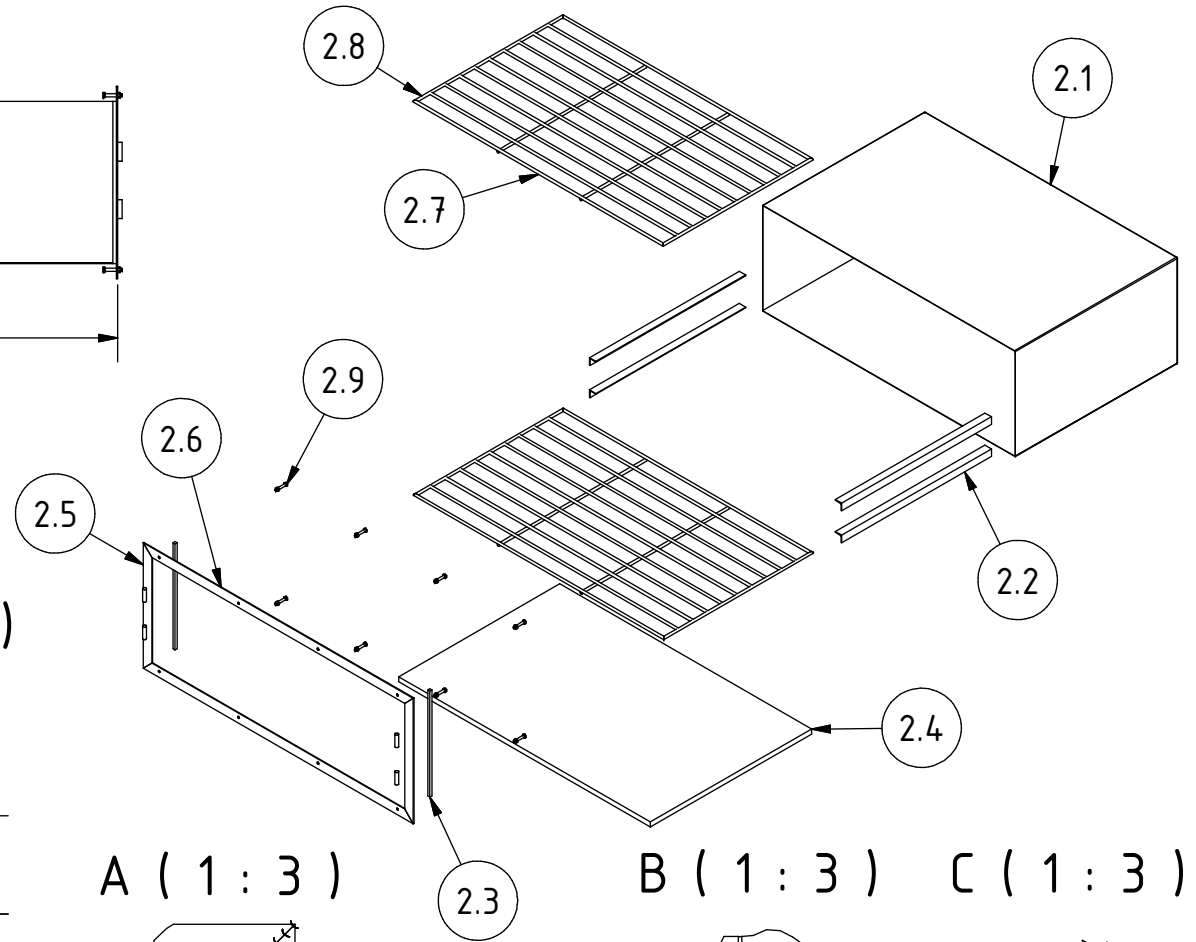
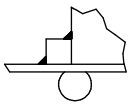
A (1 : 3)



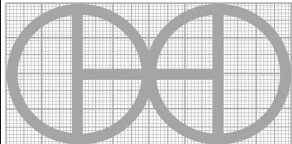
B (1 : 3)

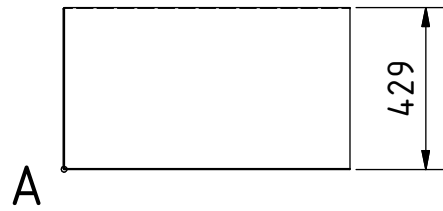
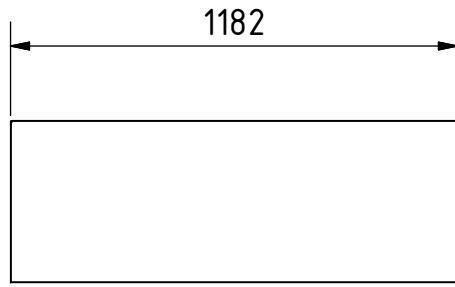


C (1 : 3)

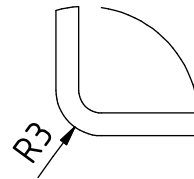
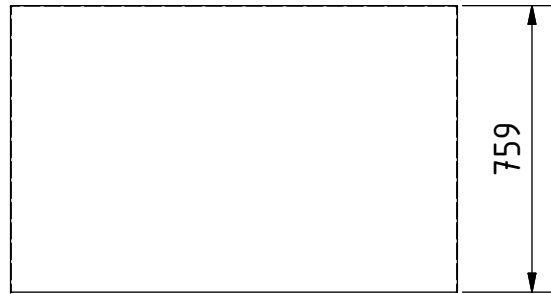


Note: All units in mm.

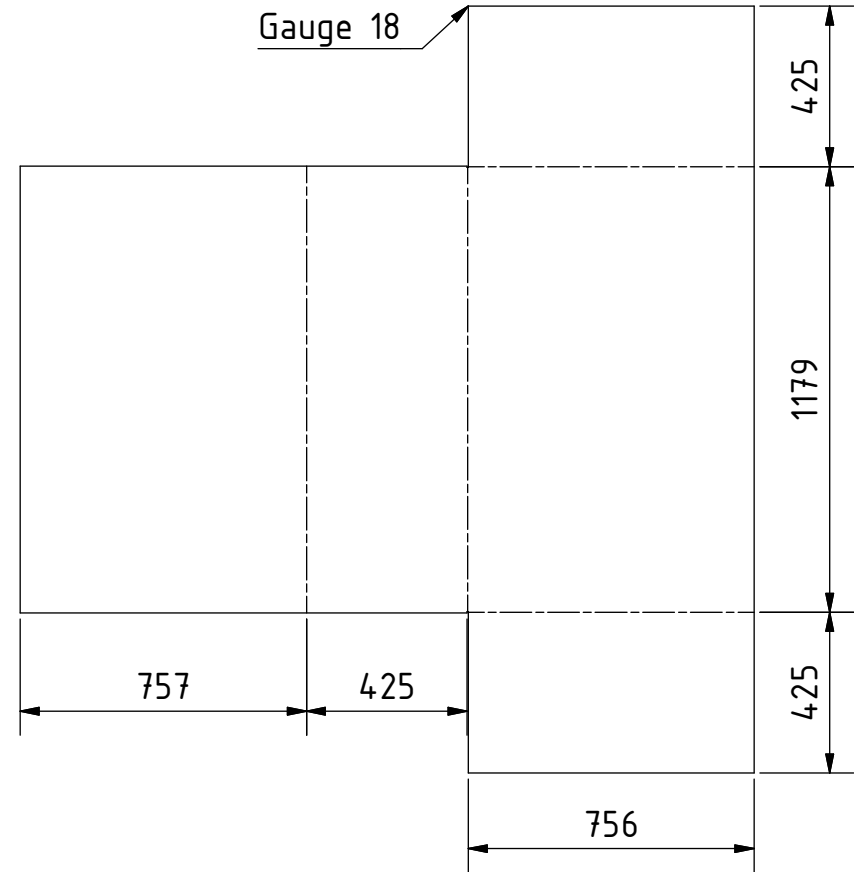
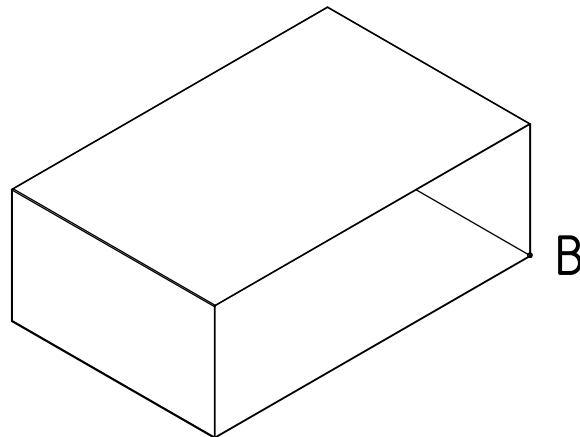
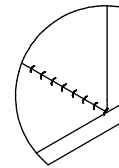
PROJECT	CREATED BY	APPROVED BY	DATE	VERSION
Rocket Bread Oven	D. Rodriguez	A. Morillo	25/10/2021	1.0
PART NAME	FILE NAME			POS
Baking chamber	Baking chamber.ipn			2.0
DEVELOPED BY	REDESIGNED BY	DOC. TYPE	MATERIAL	QUANTITY
		Assembly		1
GIZ		LICENCE	SCALE	SHEET
		CC-BY-SA 4.0	1:20	16 /36



A (1 : 0.50)



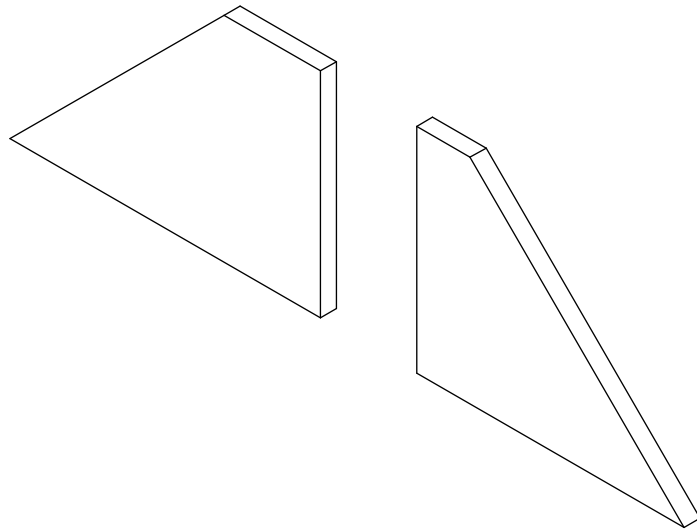
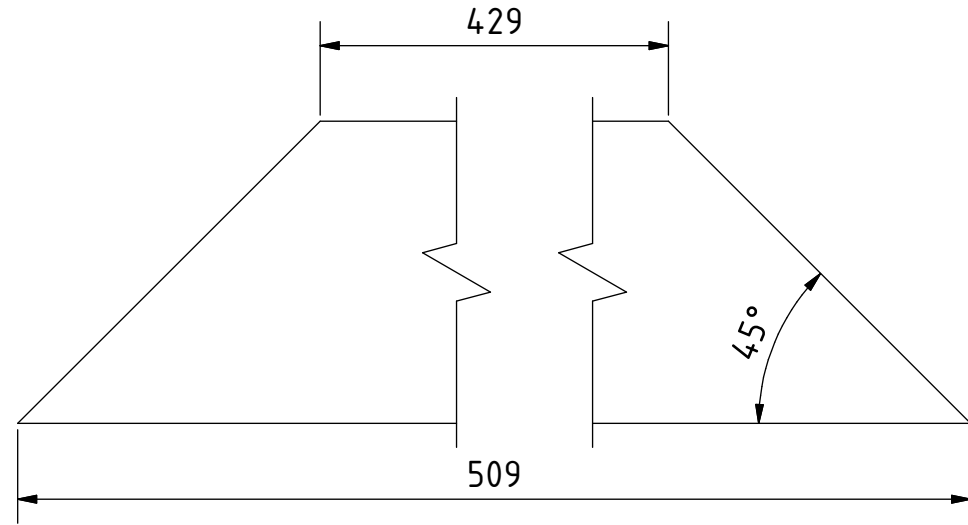
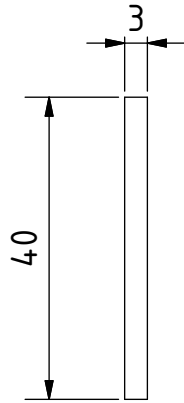
B (1 : 0.50)



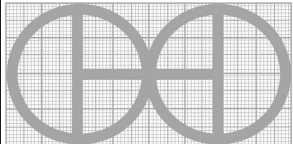
Note: All units in mm.

PROJECT	CREATED BY	APPROVED BY	DATE	VERSION
Rocket Bread Oven	D. Rodriguez	A. Morillo	25/10/2021	1.0
PART NAME	FILE NAME			POS
Baking sheet	Baking sheet.ipt			2.1
DEVELOPED BY	REDESIGNED BY	DOC. TYPE	MATERIAL	QUANTITY
GIZ		Part	Steel C45	1
		LICENCE	SCALE	SHEET
		CC-BY-SA 4.0	1:20	17 /36

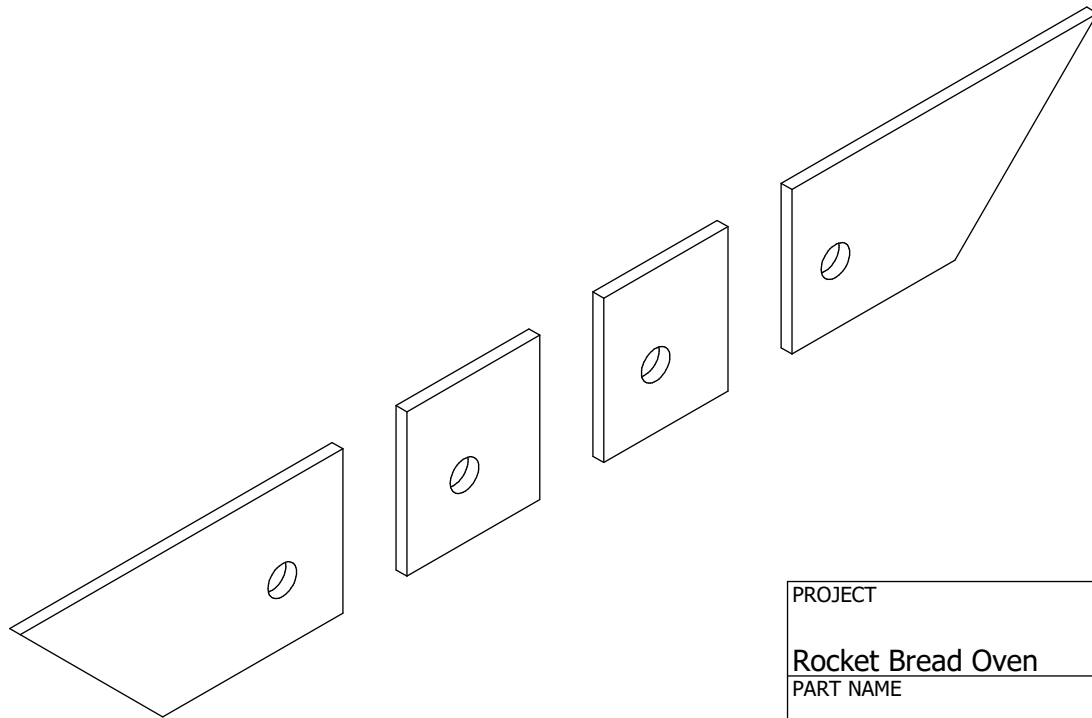
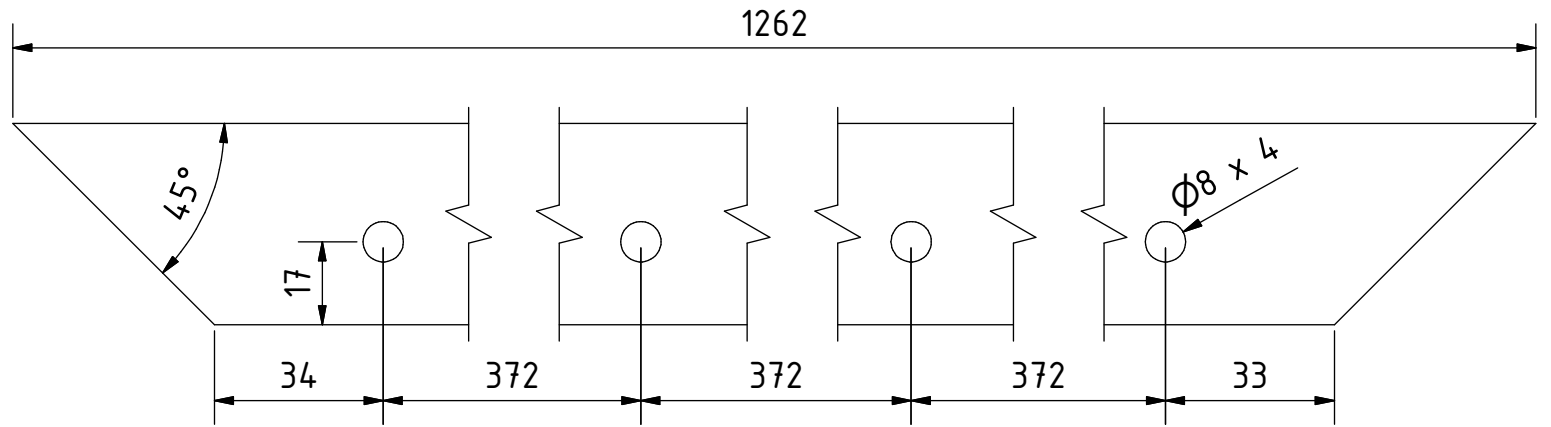
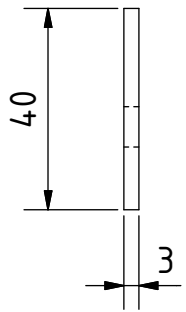
OHO e.V.



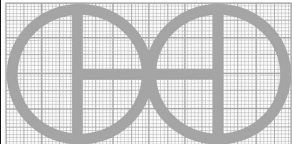
Note: All units in mm.

PROJECT	CREATED BY	APPROVED BY	DATE	VERSION
Rocket Bread Oven	D. Rodriguez	A. Morillo	25/10/2021	1.0
PART NAME	FILE NAME			POS
Platen A	Platen A.ipt			2.5
DEVELOPED BY	REDESIGNED BY	DOC. TYPE	MATERIAL	QUANTITY
		Part	Steel A36	2
GIZ		LICENCE	SCALE	SHEET
		CC-BY-SA 4.0	1:1	18 /36

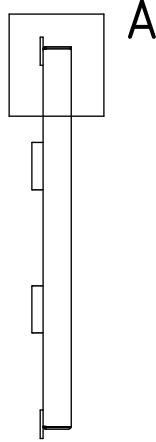
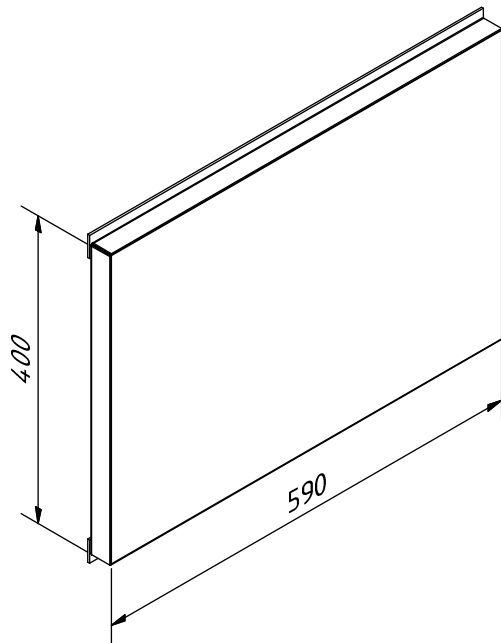
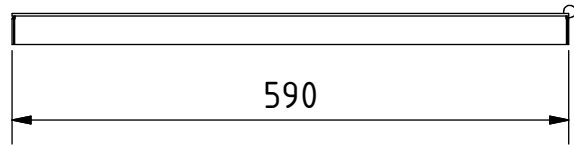
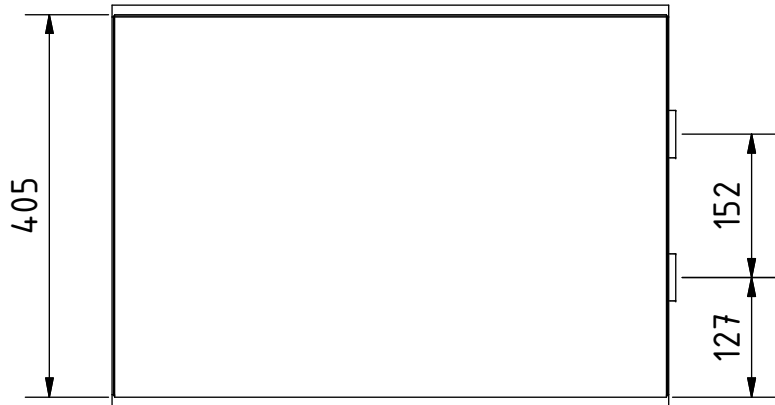
OHO e.V.



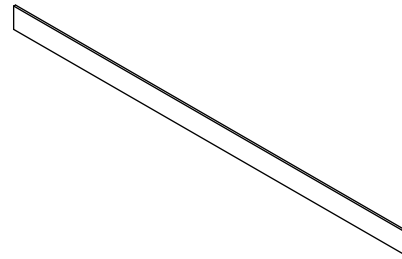
Note: All units in mm.

PROJECT	CREATED BY	APPROVED BY	DATE	VERSION
Rocket Bread Oven	D. Rodriguez	A. Morillo	25/10/2021	1.0
PART NAME	FILE NAME			POS
Platen B	Platen B.ipt			2.6
DEVELOPED BY	REDESIGNED BY	DOC. TYPE	MATERIAL	QUANTITY
		Part	Steel A36	2
GIZ		LICENCE	SCALE	SHEET
		CC-BY-SA 4.0	1:1.5	19 /36

OHO e.V.



3.4

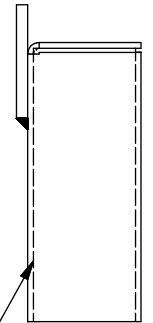


3.1

3.3

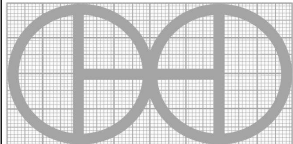
3.2

A (1 : 2)

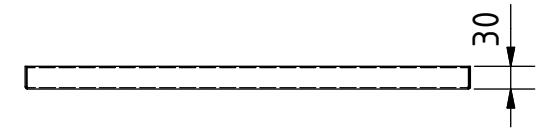
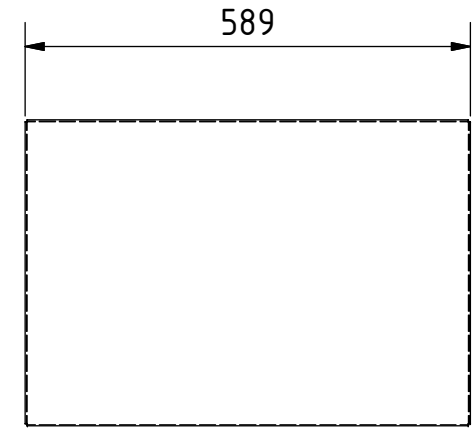
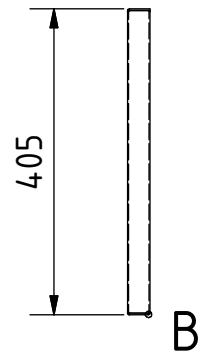
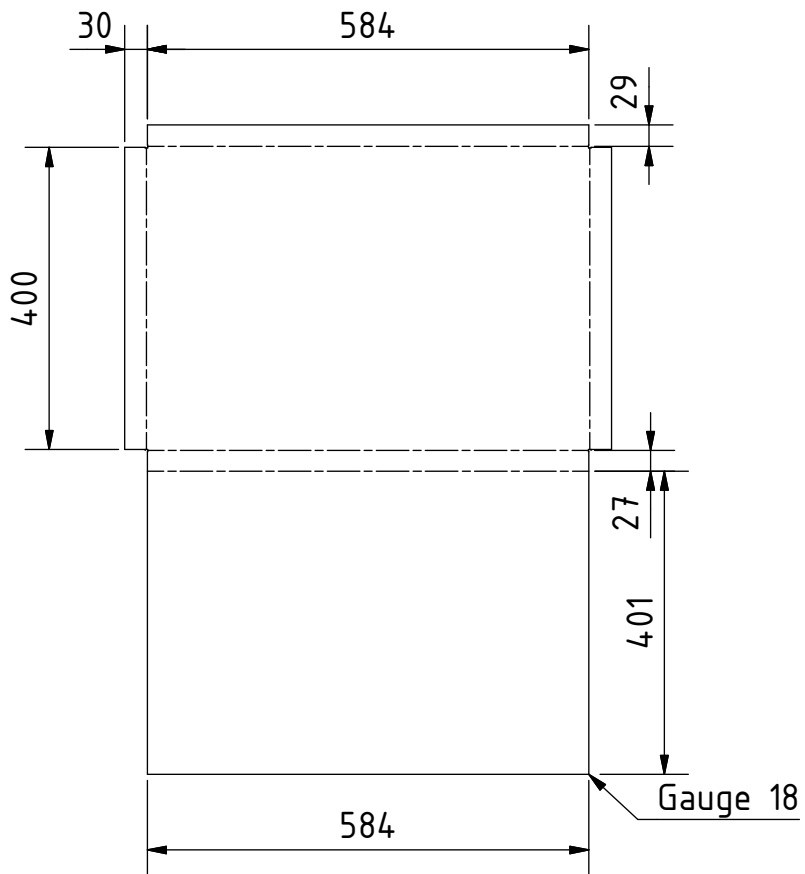


The insulation is installed on the inside of the door sheet.

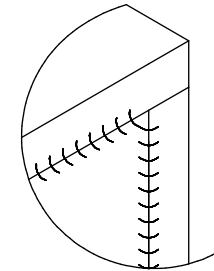
Note: All units in mm.

PROJECT	CREATED BY	APPROVED BY	DATE	VERSION
Rocket Bread Oven	D. Rodriguez	A. Morillo	25/10/2021	1.0
PART NAME	FILE NAME			POS
Door	Door.ipn			3.0
DEVELOPED BY	REDESIGNED BY	DOC. TYPE	MATERIAL	QUANTITY
		Assembly		2
GIZ		LICENCE	SCALE	SHEET
		CC-BY-SA 4.0	1:8	20 /36

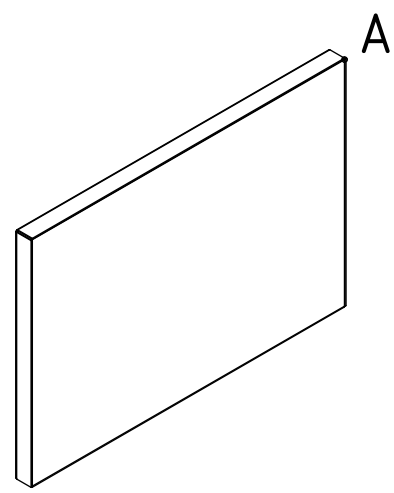
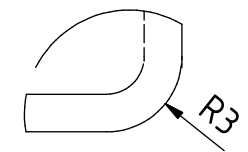
OHO e.V.



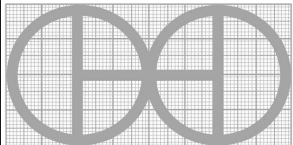
A (1 : 0.20)



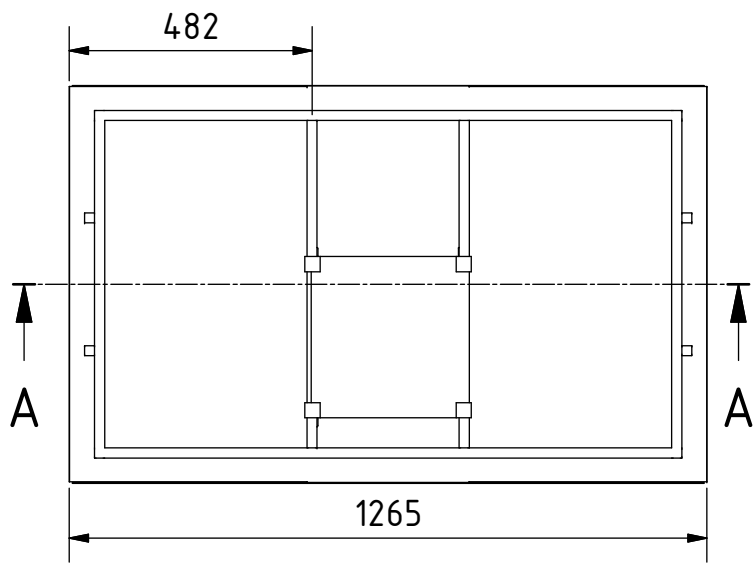
B (1 : 0.30)



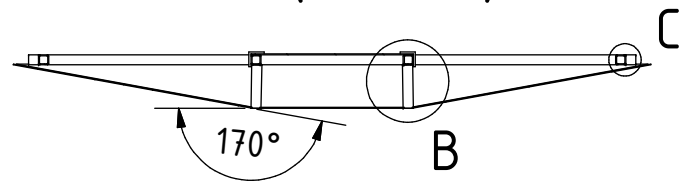
Note: All units in mm.

PROJECT	CREATED BY	APPROVED BY	DATE	VERSION
Rocket Bread Oven	D. Rodriguez	A. Morillo	25/10/2021	1.0
PART NAME	FILE NAME			POS
Door sheet	Door sheet.ipt			3.1
DEVELOPED BY	REDESIGNED BY	DOC. TYPE	MATERIAL	QUANTITY
		Part	Steel C45	2
GIZ		LICENCE	SCALE	SHEET
		CC-BY-SA 4.0	1:10	21 /36

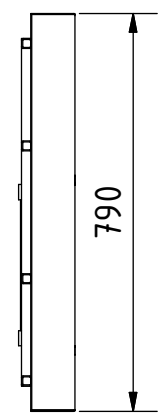
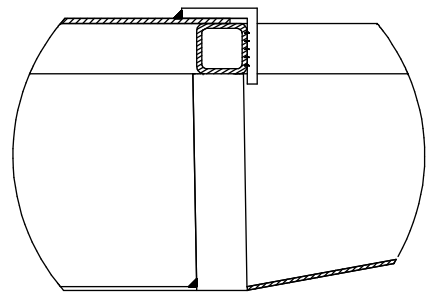
OHO e.V.



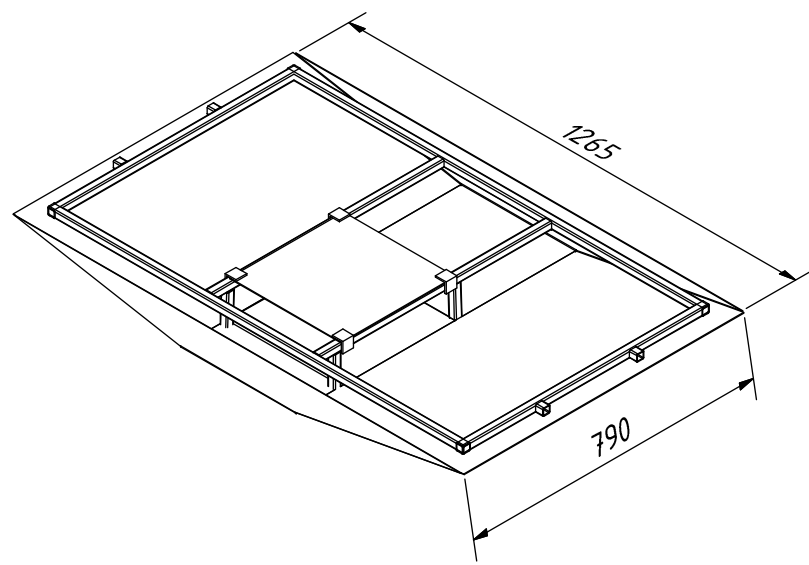
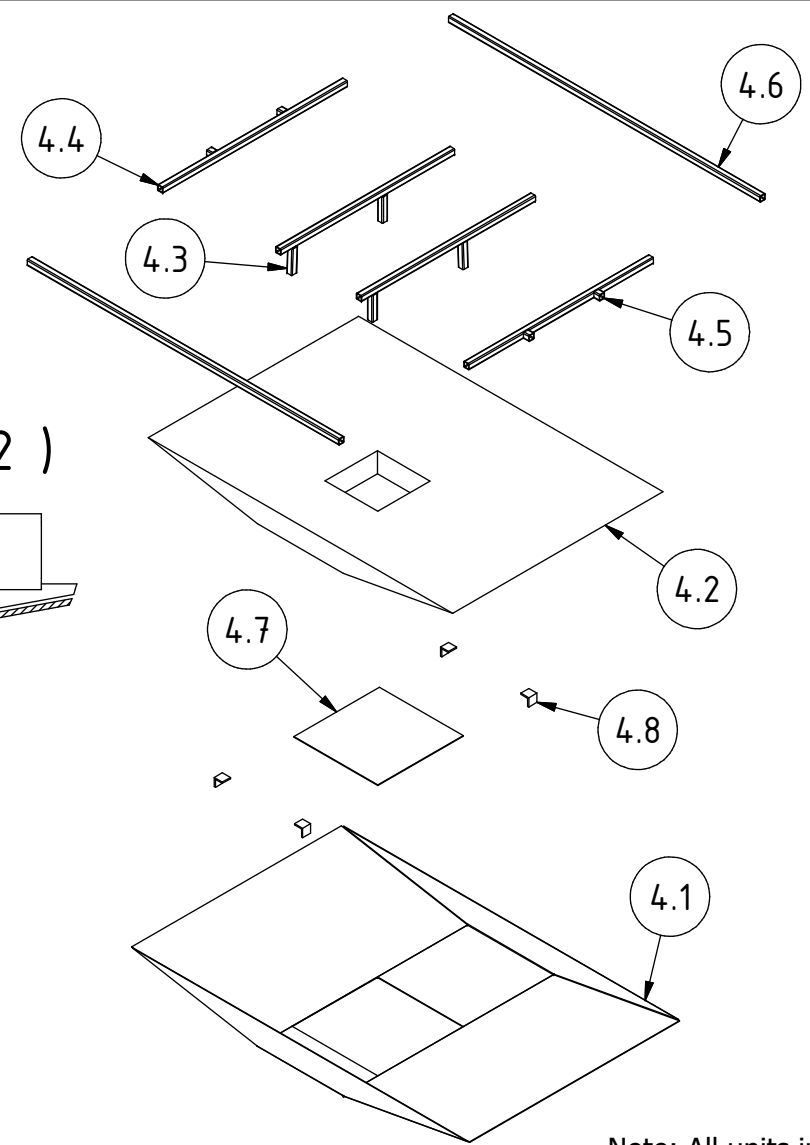
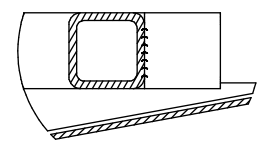
A-A (1 : 15)



B (1 : 3)

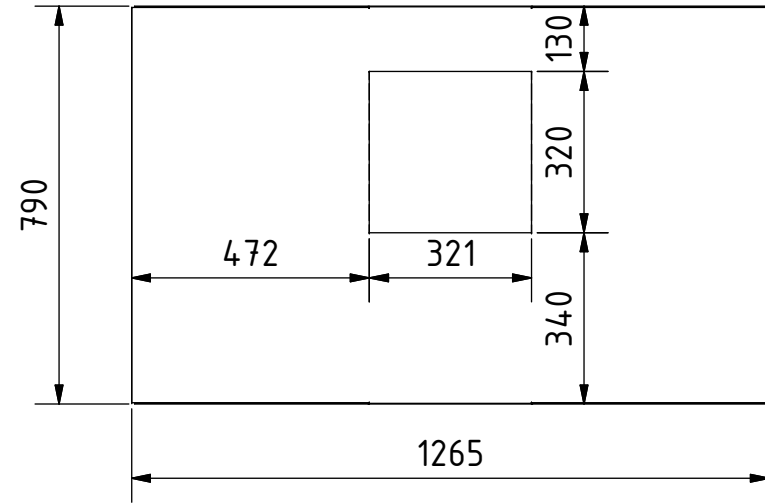
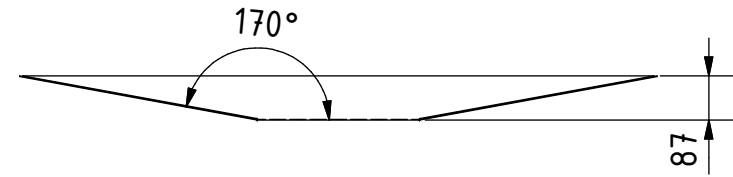
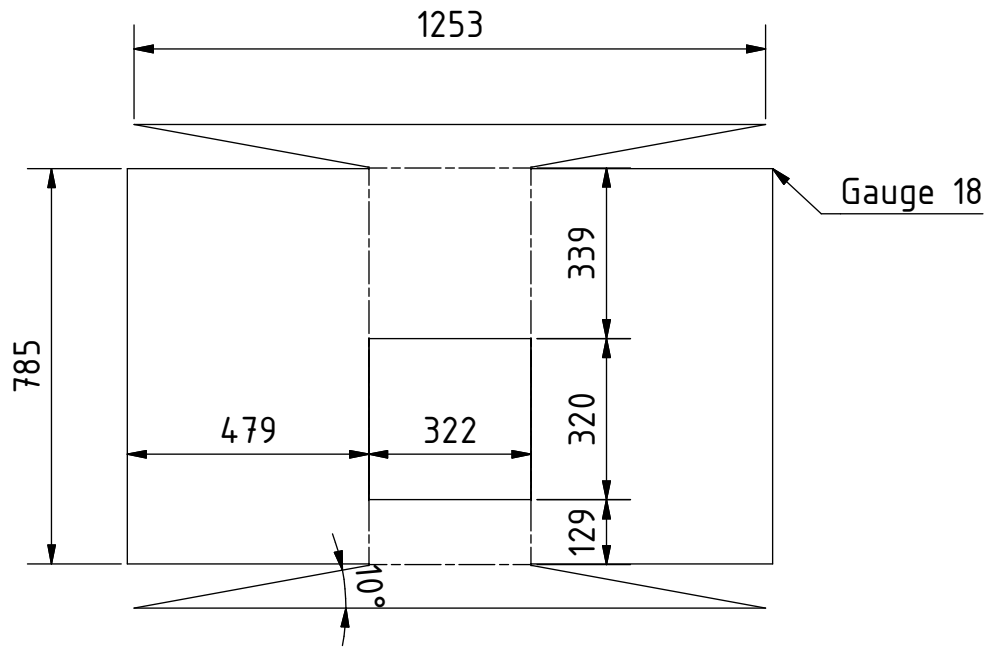


C (1 : 2)

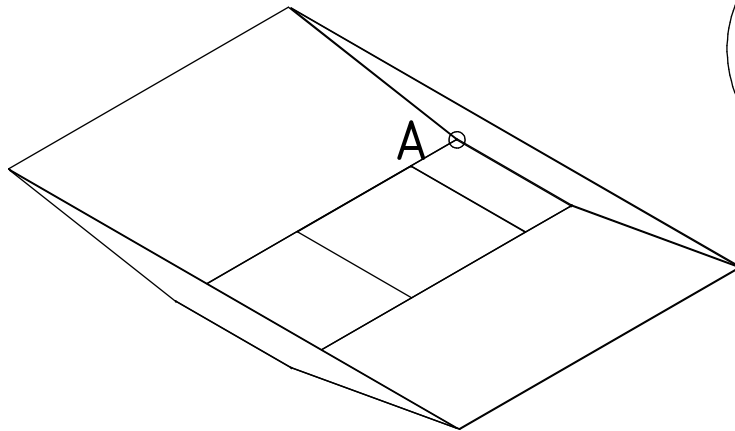
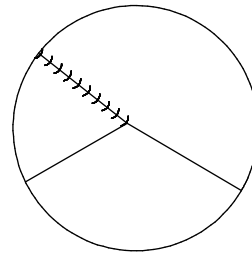


Note: All units in mm.

PROJECT	CREATED BY	APPROVED BY	DATE	VERSION
Rocket Bread Oven	D. Rodriguez	A. Morillo	25/10/2021	1.0
PART NAME	FILE NAME			POS
Transition assembly	Transition assembly.ipn			4.0
DEVELOPED BY	REDESIGNED BY	DOC. TYPE	MATERIAL	QUANTITY
		Assembly		1
		LICENCE	SCALE	SHEET
GIZ		CC-BY-SA 4.0	1:15	22 /36



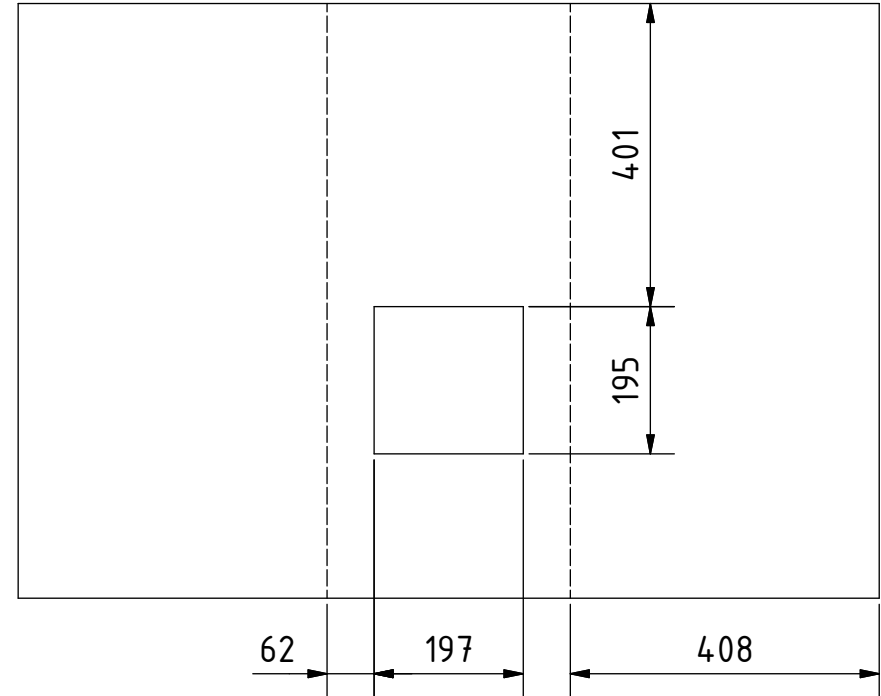
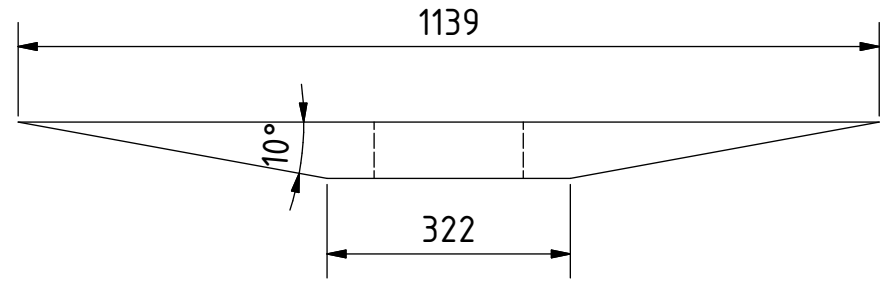
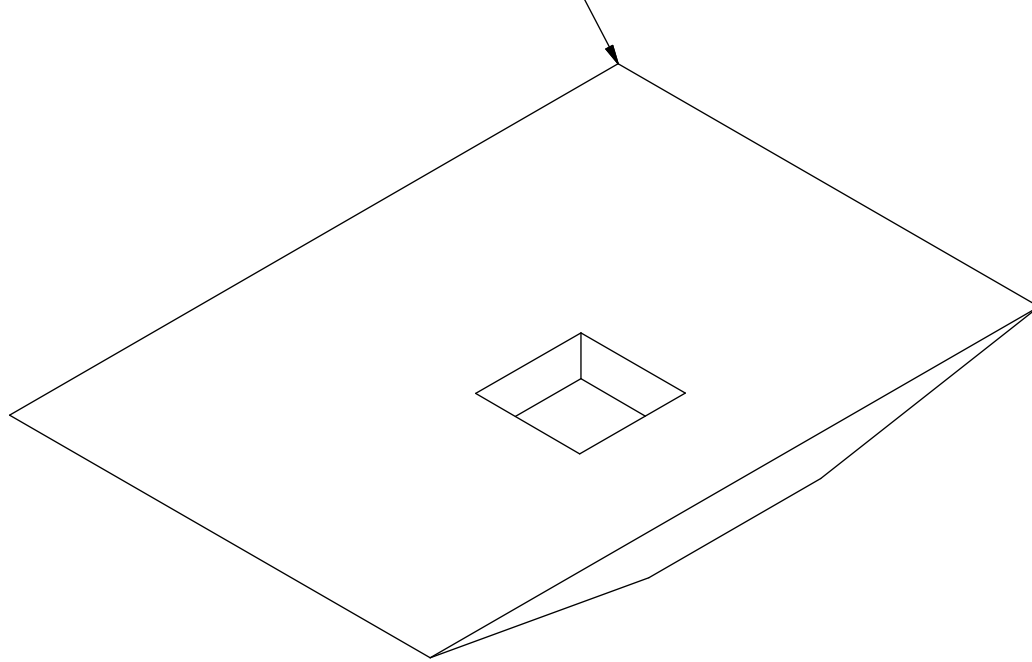
A (1 : 1)



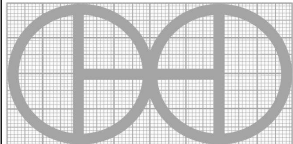
Note: All units in mm.

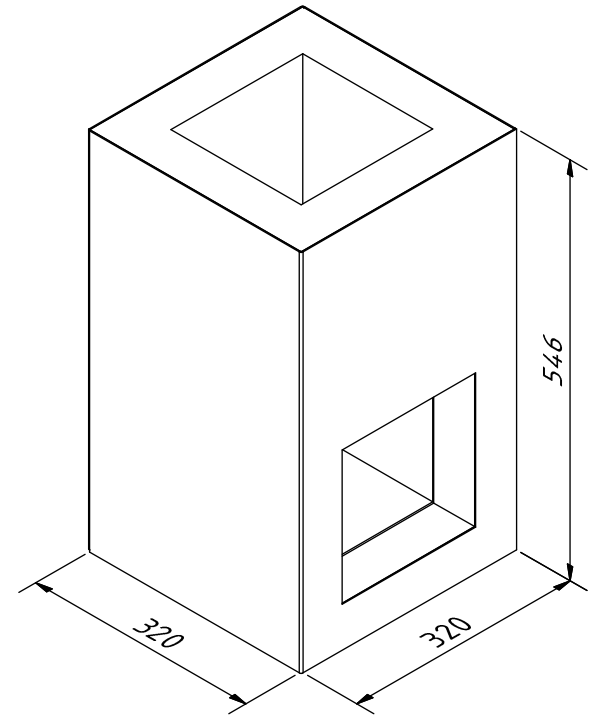
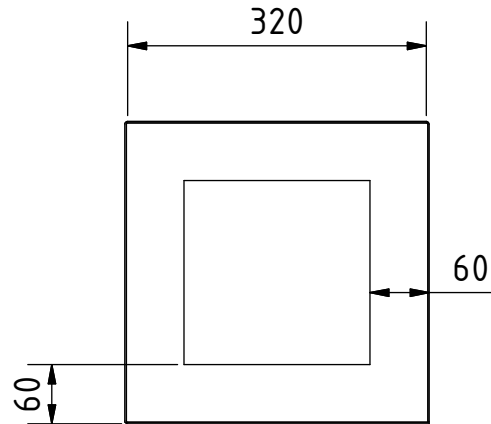
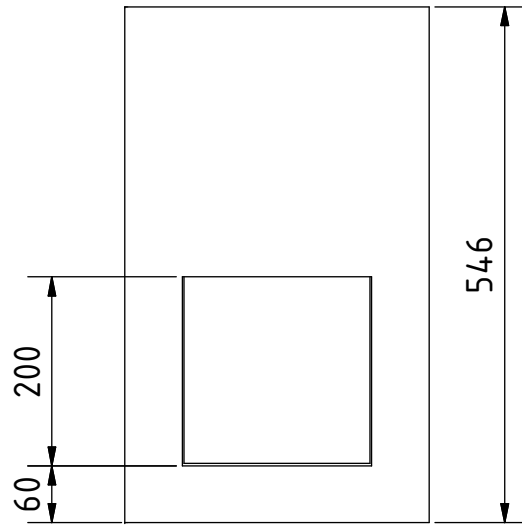
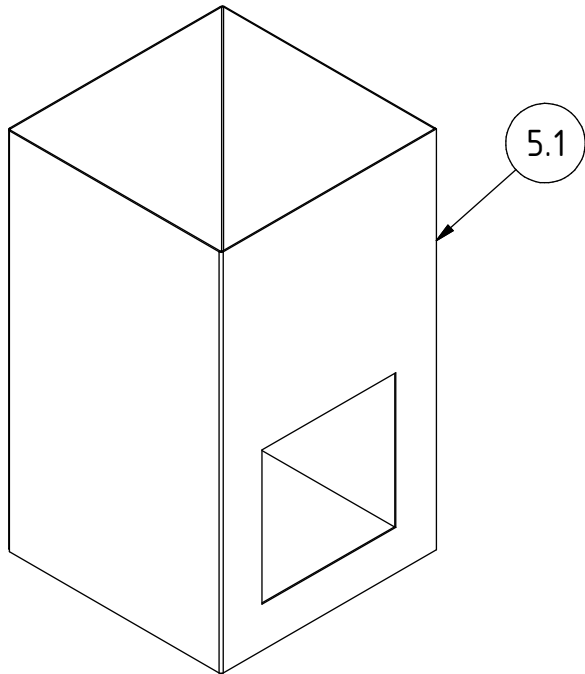
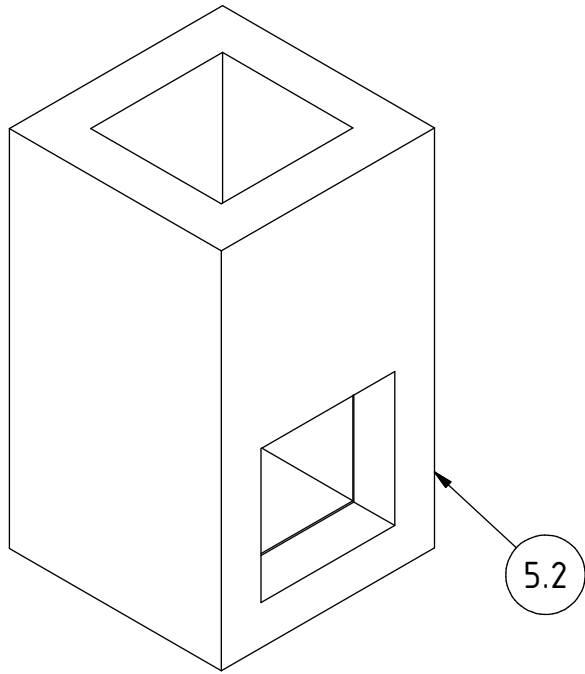
PROJECT	CREATED BY	APPROVED BY	DATE	VERSION
Rocket Bread Oven	D. Rodriguez	A. Morillo	25/10/2021	1.0
PART NAME	FILE NAME			POS
Transition sheet	Transition sheet.ipt			4.1
DEVELOPED BY	REDESIGNED BY	DOC. TYPE	MATERIAL	QUANTITY
		Part	Steel C45	1
		LICENCE	SCALE	SHEET
GIZ		CC-BY-SA 4.0	1:15	23 /36

Ceramic refractory filler.

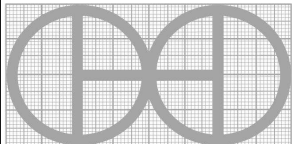


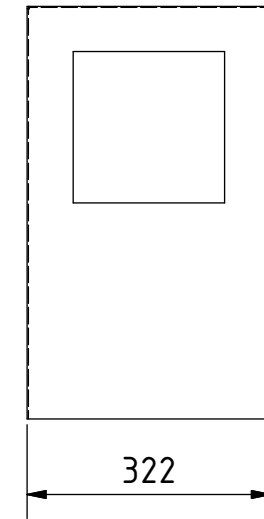
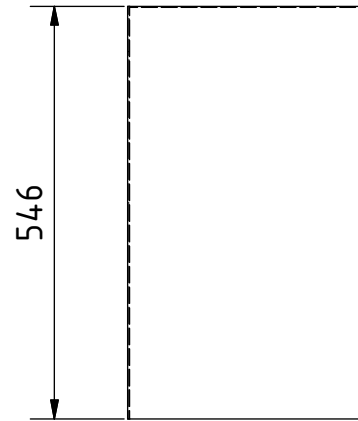
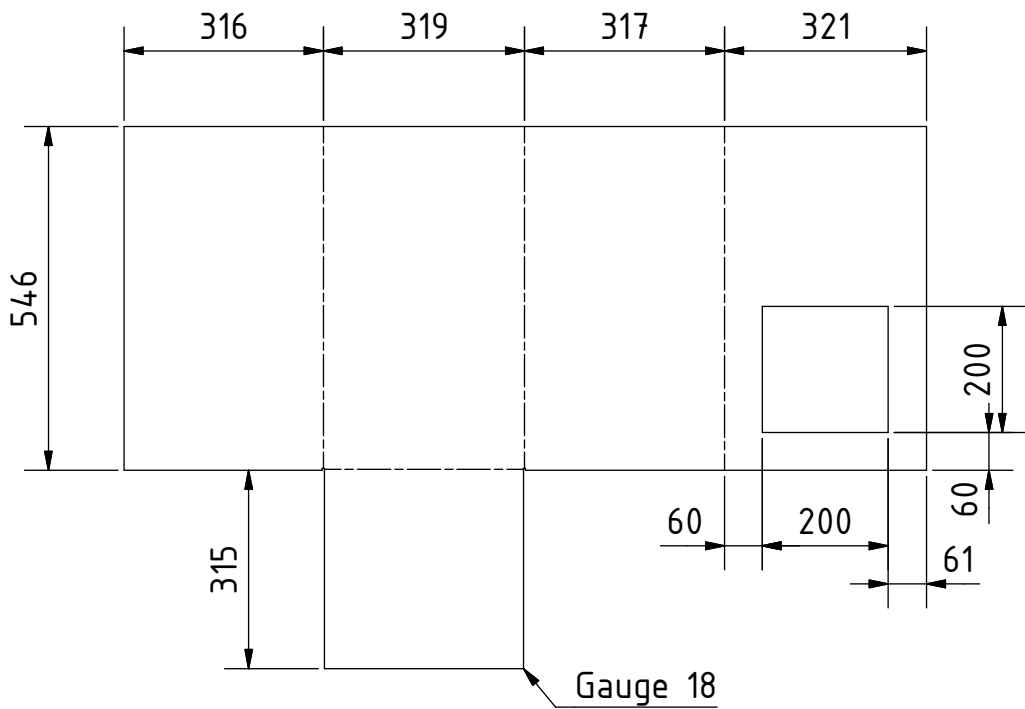
Note: All units in mm.

PROJECT	CREATED BY	APPROVED BY	DATE	VERSION
Rocket Bread Oven	D. Rodriguez	A. Morillo	25/10/2021	1.0
PART NAME	FILE NAME			POS
Isolation D	Isolation D.ipt			4.2
DEVELOPED BY	REDESIGNED BY	DOC. TYPE	MATERIAL	QUANTITY
		Part	Ceramic refractory	1
GIZ		LICENCE	SCALE	SHEET
		OH0 e.V. CC-BY-SA 4.0	1:10	24 /36



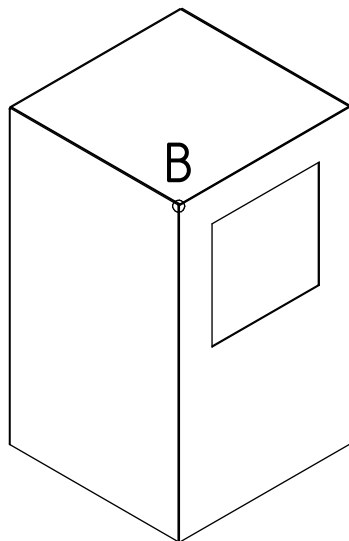
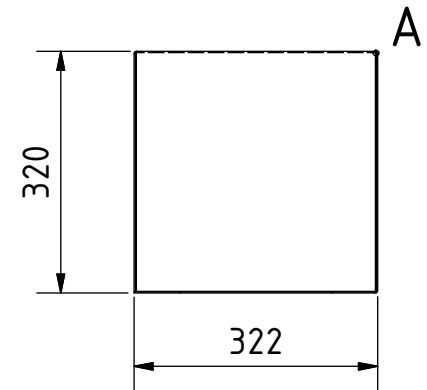
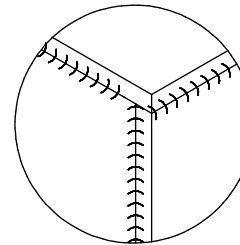
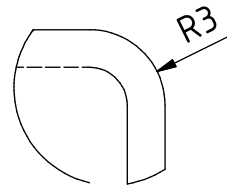
Note: All units in mm.

PROJECT	CREATED BY	APPROVED BY	DATE	VERSION
Rocket Bread Oven	D. Rodriguez	A. Morillo	25/10/2021	1.0
PART NAME	FILE NAME			POS
Combustion chamber	Combustion chamber.ipn			5.0
DEVELOPED BY	REDESIGNED BY	DOC. TYPE	MATERIAL	QUANTITY
GIZ		Assembly		1
		LICENCE	SCALE	SHEET
		CC-BY-SA 4.0	1:8	25 /36

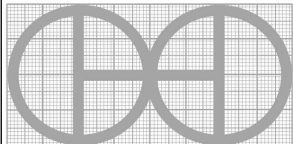


A (1 : 0.30)

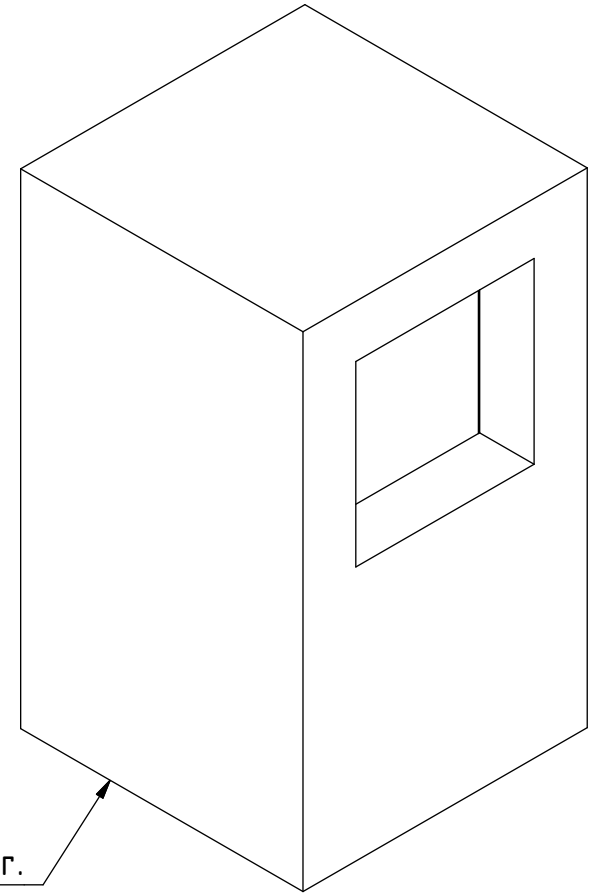
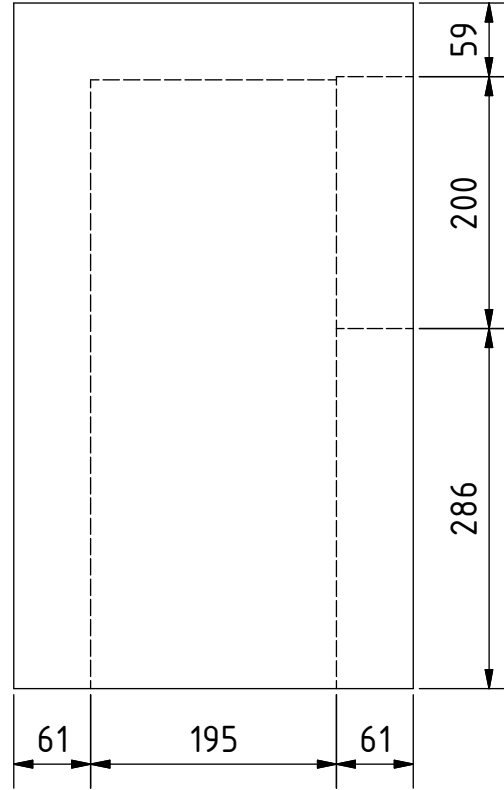
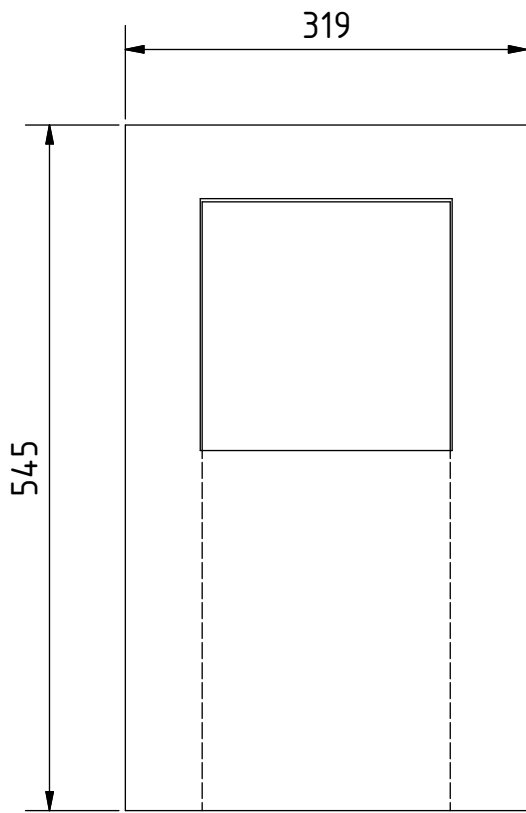
B (1 : 0.50)



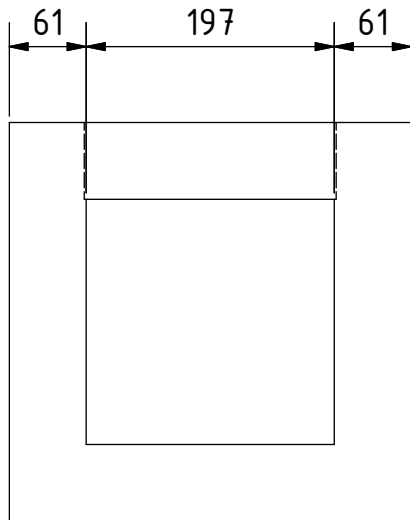
Note: All units in mm.

PROJECT	CREATED BY	APPROVED BY	DATE	VERSION
Rocket Bread Oven	D. Rodriguez	A. Morillo	25/10/2021	1.0
PART NAME	FILE NAME			POS
Combustion box	Combustion box.ipt			5.1
DEVELOPED BY	REDESIGNED BY	DOC. TYPE	MATERIAL	QUANTITY
		Part	Steel C45	1
GIZ		LICENCE	SCALE	SHEET
		CC-BY-SA 4.0	1:12	26 /36

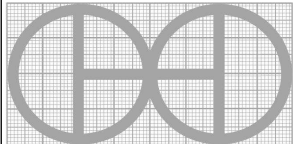
OHO e.V.



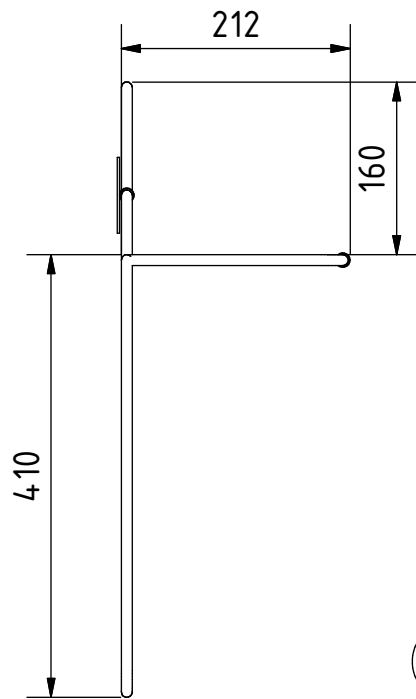
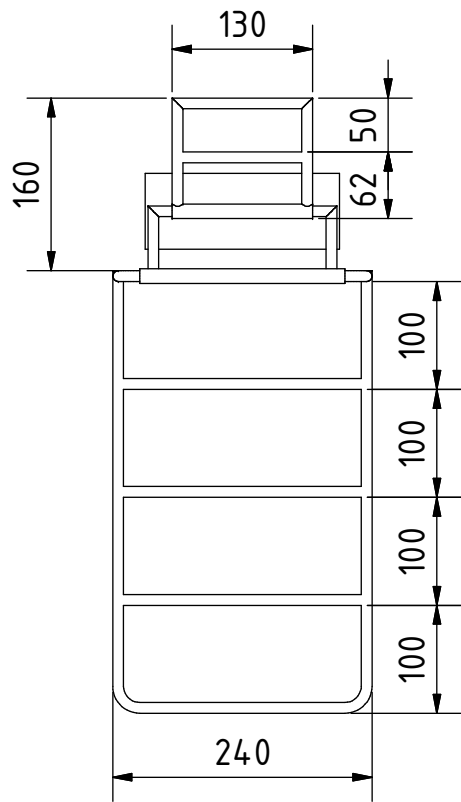
Ceramic refractory filler.



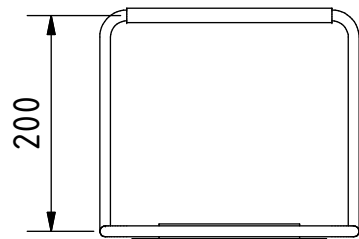
Note: All units in mm.

PROJECT	CREATED BY	APPROVED BY	DATE	VERSION
Rocket Bread Oven	D. Rodriguez	A. Morillo	25/10/2021	1.0
PART NAME	FILE NAME			POS
Isolation E	Isolation E.ipt			5.2
DEVELOPED BY	REDESIGNED BY	DOC. TYPE	MATERIAL	QUANTITY
		Part	Ceramic refractory	1
GIZ		LICENCE	SCALE	SHEET
		CC-BY-SA 4.0	1:6	27 /36

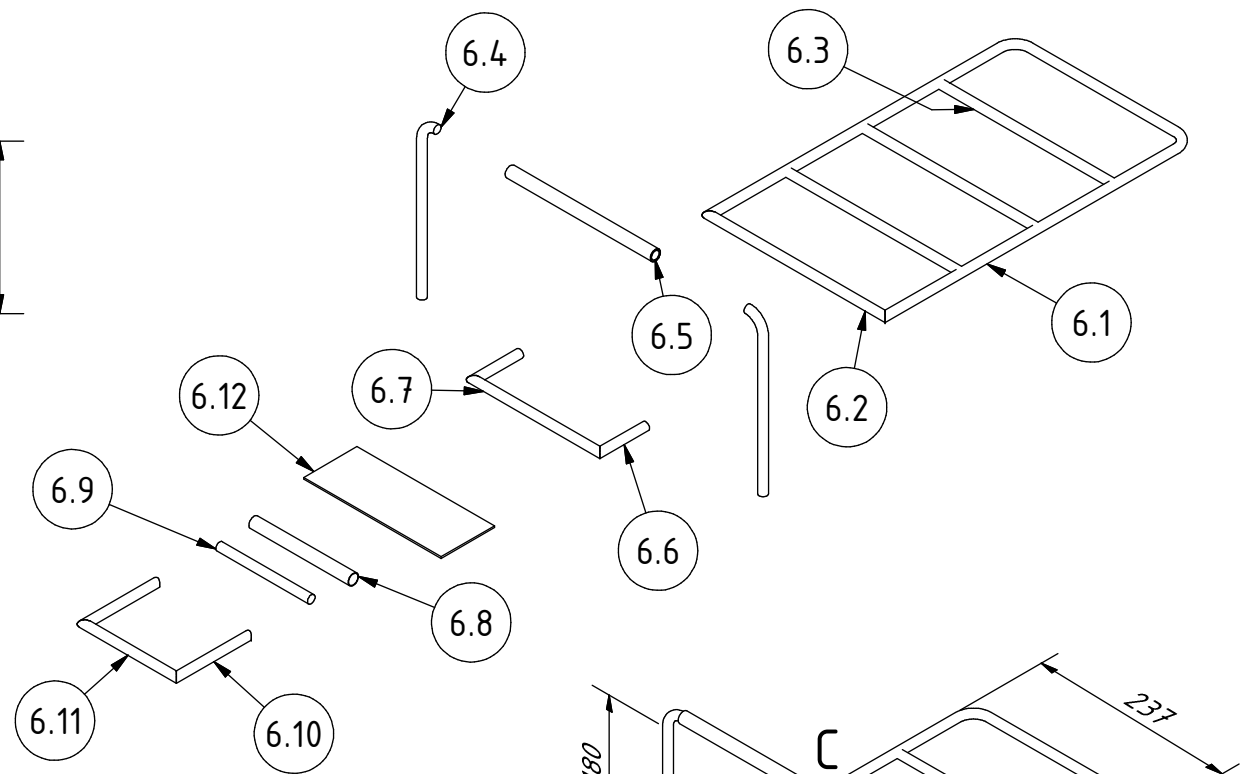
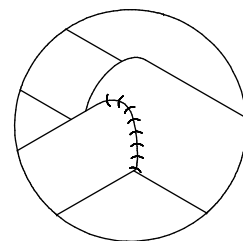
OHO e.V.



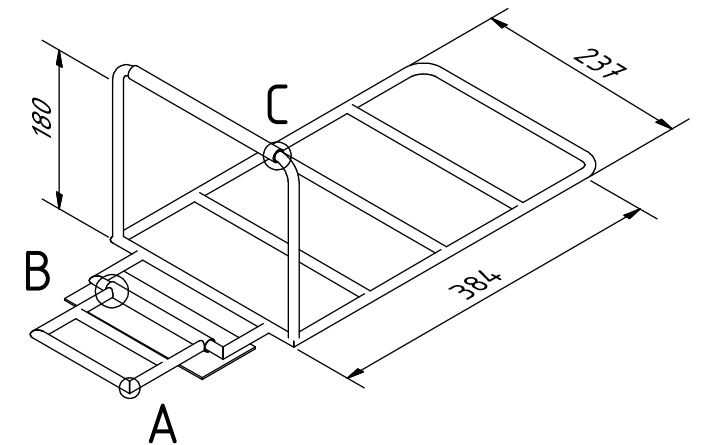
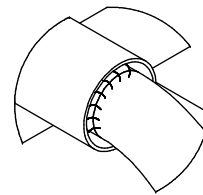
A (1 : 1)



B (1 : 1)



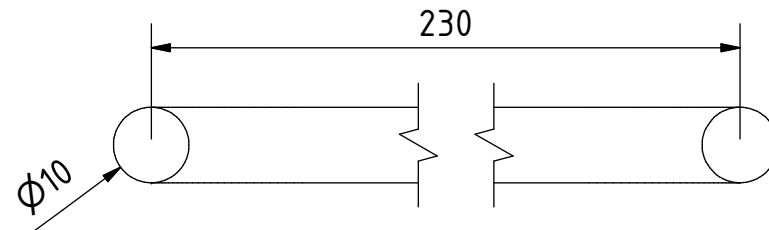
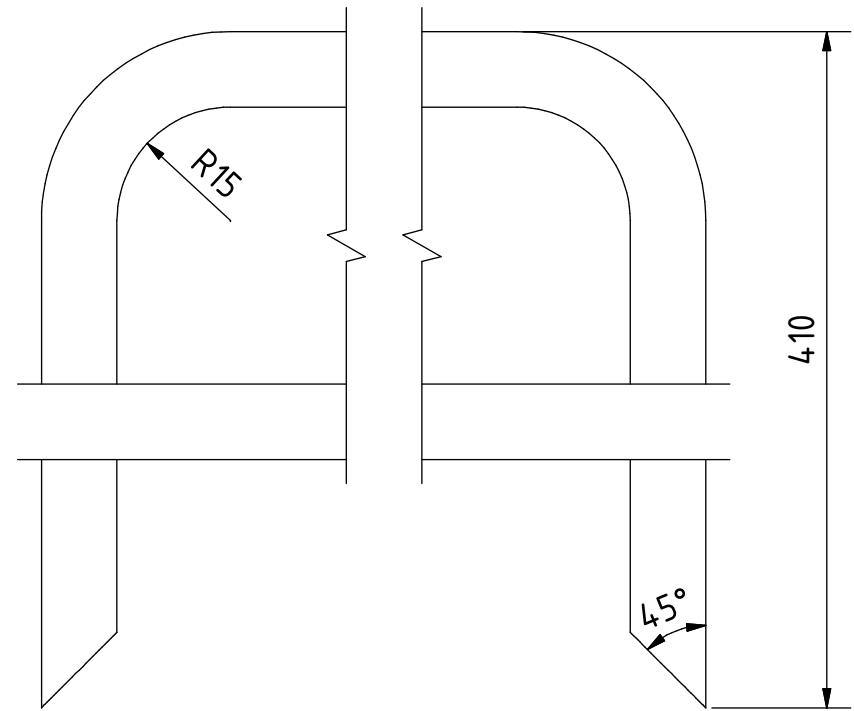
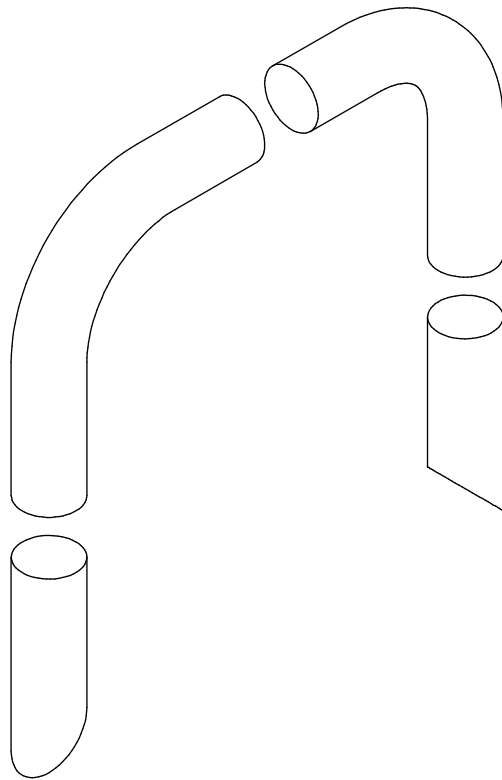
C (1 : 1)



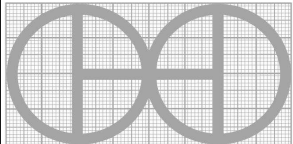
Note: All units in mm.

PROJECT	CREATED BY	APPROVED BY	DATE	VERSION
Rocket Bread Oven	D. Rodriguez	A. Morillo	25/10/2021	1.0
PART NAME	FILE NAME	POS		
Grate	Grate.ipn	6.0		
DEVELOPED BY	REDESIGNED BY	DOC. TYPE	MATERIAL	QUANTITY
GIZ		Assembly		1
		LICENCE	SCALE	SHEET
		CC-BY-SA 4.0	1:7	28 /36

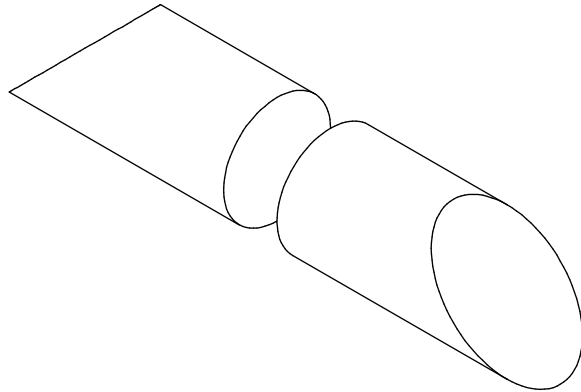
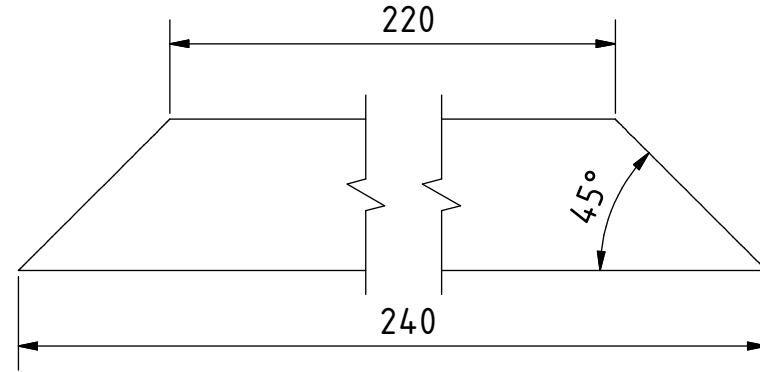
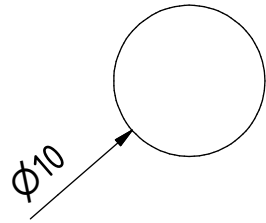
OHO e.V.



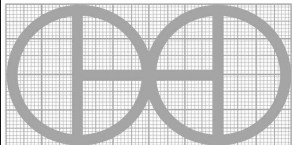
Note: All units in mm.

PROJECT	CREATED BY	APPROVED BY	DATE	VERSION
Rocket Bread Oven	D. Rodriguez	A. Morillo	25/10/2021	1.0
PART NAME	FILE NAME			POS
Outer bar	Outer bar.ipt			6.1
DEVELOPED BY	REDESIGNED BY	DOC. TYPE	MATERIAL	QUANTITY
		Part	Steel A36	1
GIZ		LICENCE	SCALE	SHEET
		CC-BY-SA 4.0	1:1	29 /36

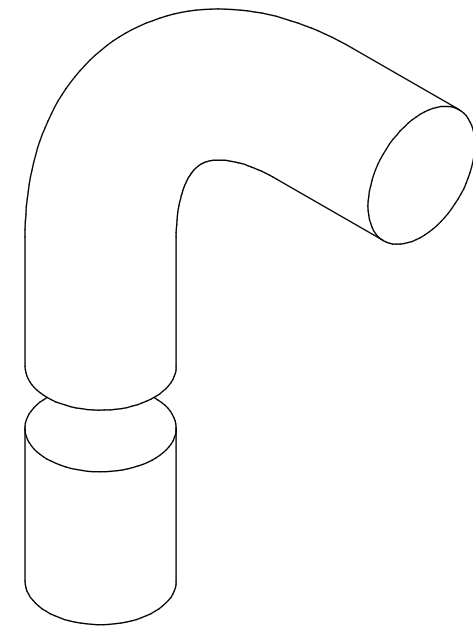
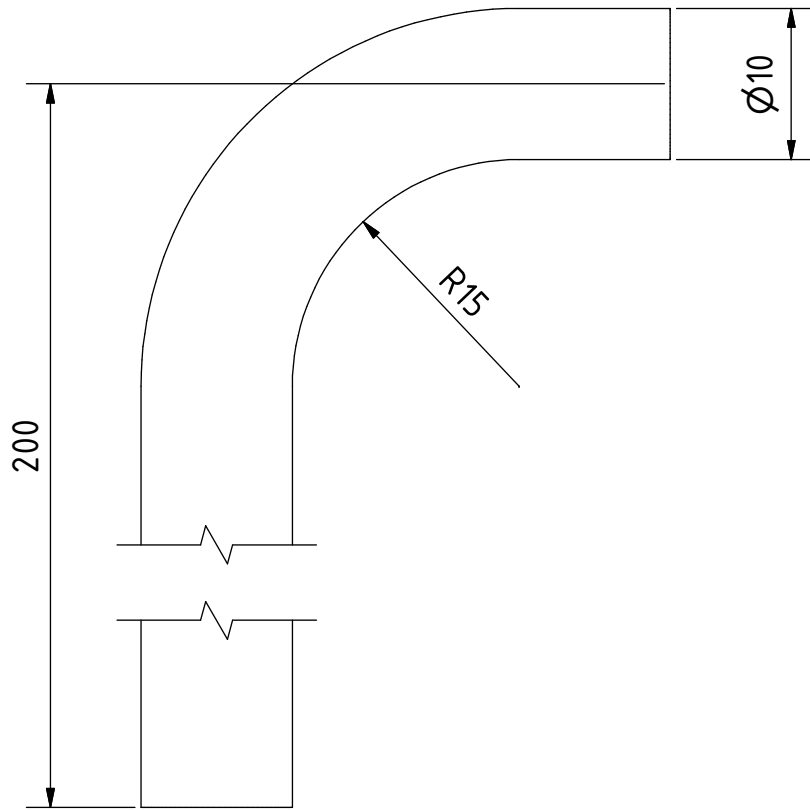
OHO e.V.



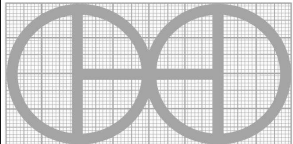
Note: All units in mm.

PROJECT	CREATED BY	APPROVED BY	DATE	VERSION
Rocket Bread Oven	D. Rodriguez	A. Morillo	25/10/2021	1.0
PART NAME	FILE NAME			POS
Middle outer bar	Middle outer bar.ipt			6.2
DEVELOPED BY	REDESIGNED BY	DOC. TYPE	MATERIAL	QUANTITY
		Part	Steel A36	1
GIZ		LICENCE	SCALE	SHEET
		CC-BY-SA 4.0	1:0.50	30 /36

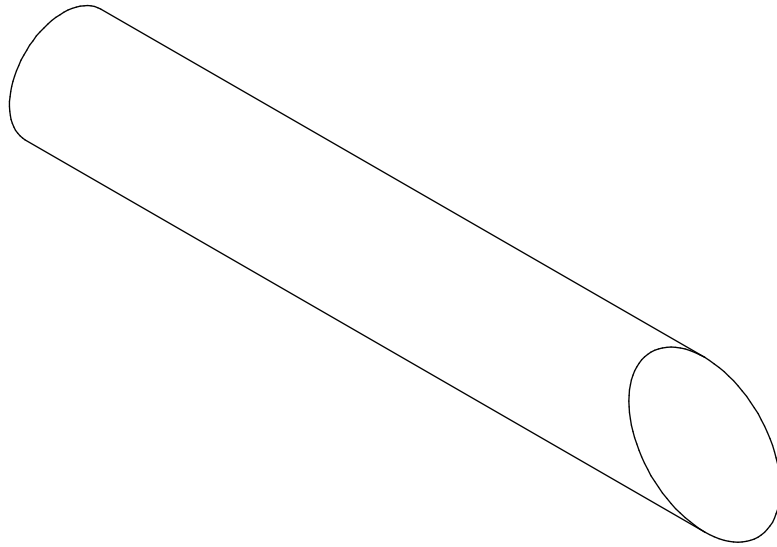
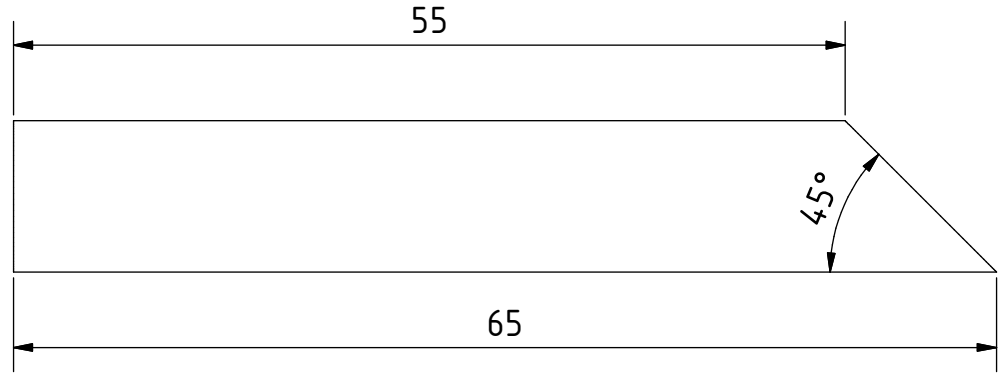
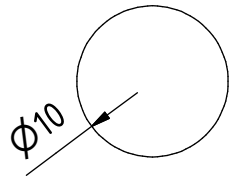
OHO e.V.



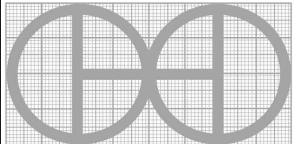
Note: All units in mm.

PROJECT		CREATED BY		APPROVED BY		DATE		VERSION	
Rocket Bread Oven		D. Rodriguez		A. Morillo		25/10/2021		1.0	
PART NAME			FILE NAME					POS	
Vertical bar			Vertical bar.ipt					6.4	
DEVELOPED BY			REDESIGNED BY		DOC. TYPE		MATERIAL		QUANTITY
GIZ					Part		Steel A36		2
					LICENCE		SCALE		SHEET
					CC-BY-SA 4.0		1:0.50		31 /36

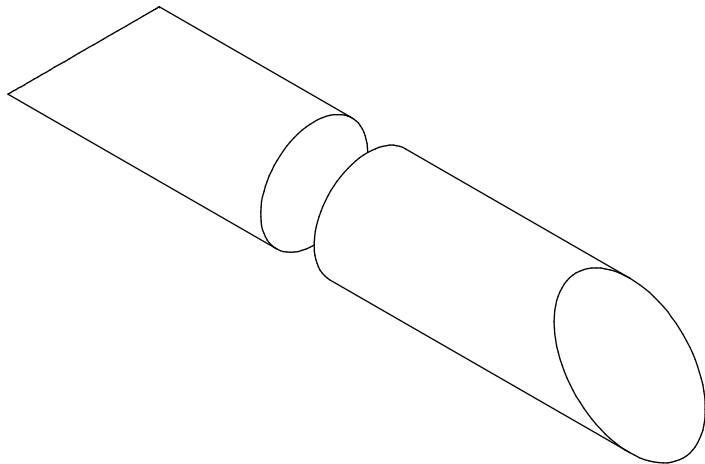
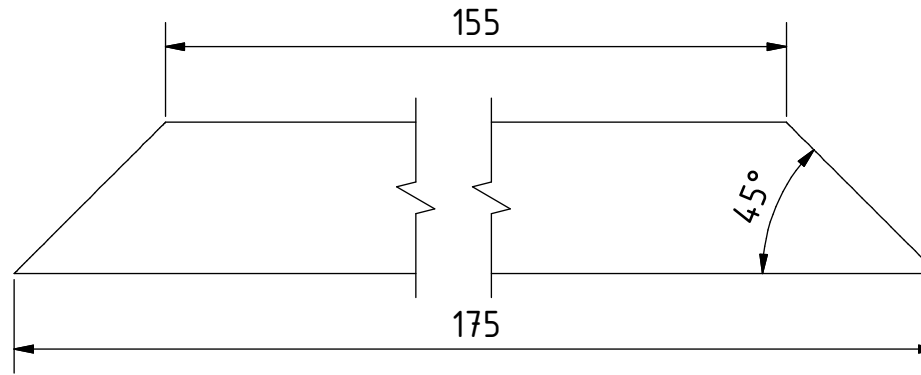
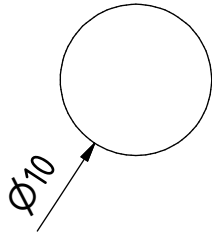
OHO e.V.



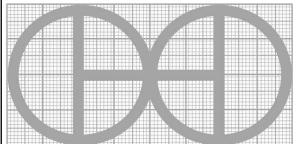
Note: All units in mm.

PROJECT	CREATED BY	APPROVED BY	DATE	VERSION
Rocket Bread Oven	D. Rodriguez	A. Morillo	25/10/2021	1.0
PART NAME	FILE NAME			POS
Extension bar A	Extension bar A.ipt			6.6
DEVELOPED BY	REDESIGNED BY	DOC. TYPE	MATERIAL	QUANTITY
		Part	Steel A36	2
GIZ		LICENCE	SCALE	SHEET
		CC-BY-SA 4.0	1:0.50	32 /36

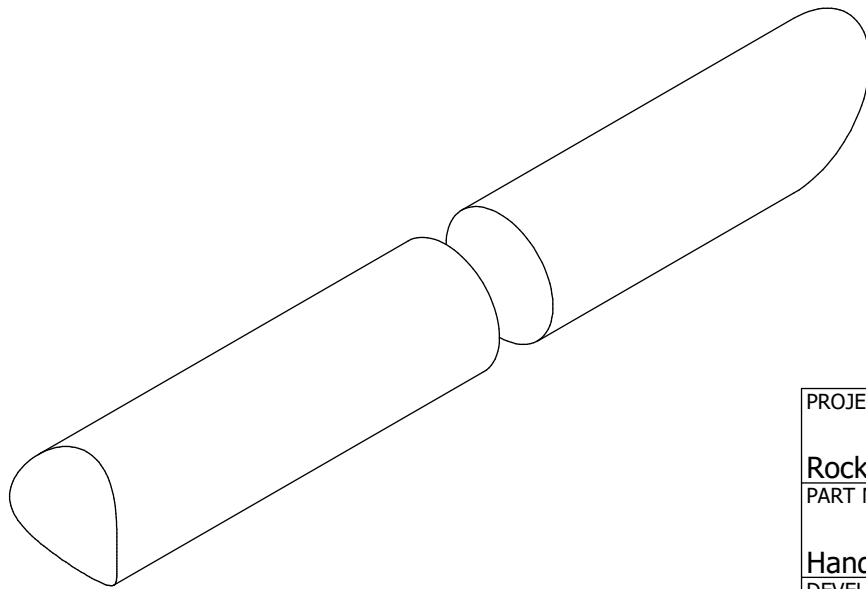
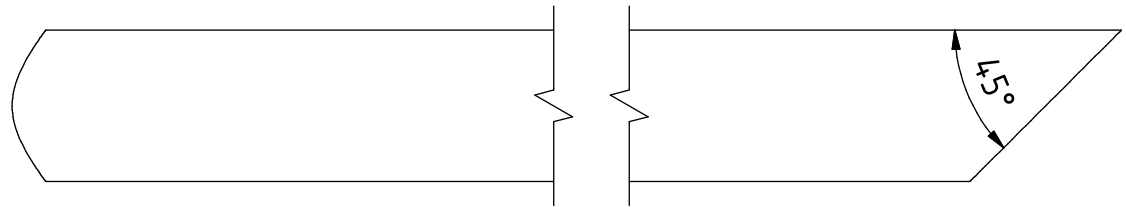
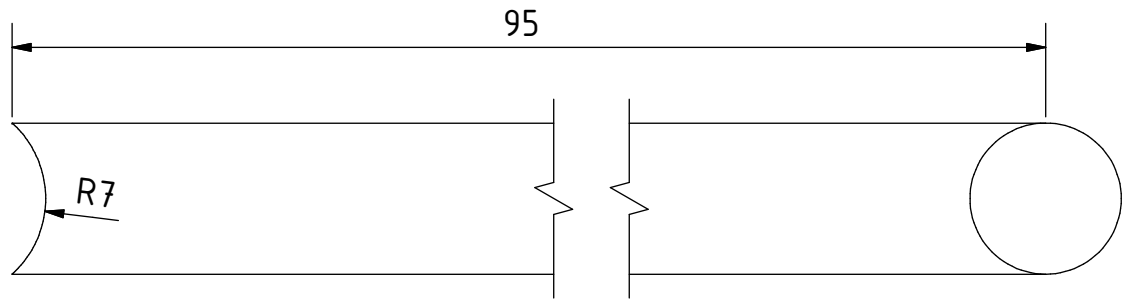
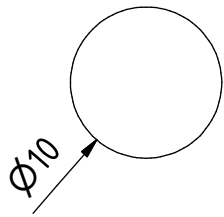
OHO e.V.



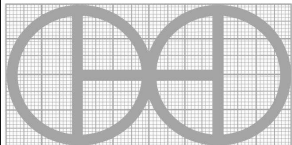
Note: All units in mm.

PROJECT	CREATED BY	APPROVED BY	DATE	VERSION
Rocket Bread Oven	D. Rodriguez	A. Morillo	25/10/2021	1.0
PART NAME	FILE NAME			POS
Extension bar B	Extension bar B.ipt			6.7
DEVELOPED BY	REDESIGNED BY	DOC. TYPE	MATERIAL	QUANTITY
GIZ		Part	Steel A36	1
		LICENCE	SCALE	SHEET
		CC-BY-SA 4.0	1:0.50	33 /36

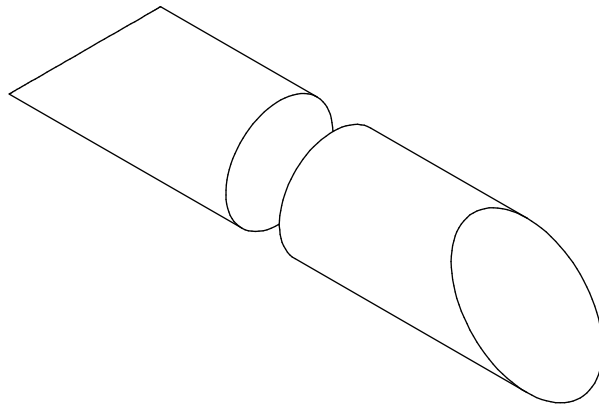
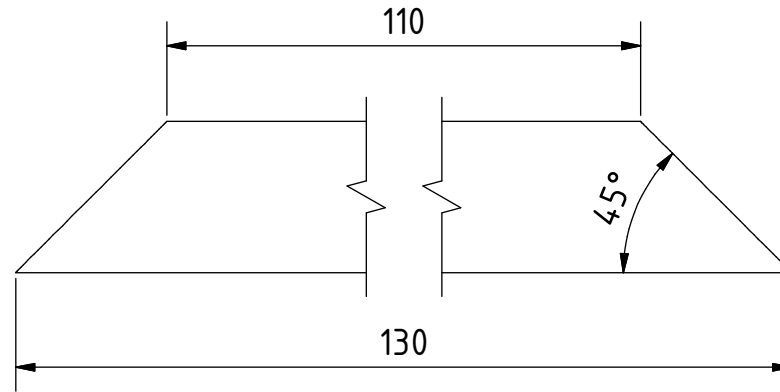
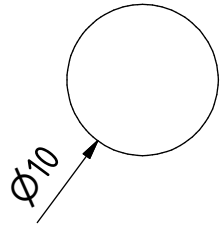
OHO e.V.



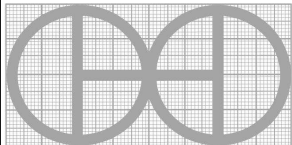
Note: All units in mm.

PROJECT	CREATED BY	APPROVED BY	DATE	VERSION
Rocket Bread Oven	D. Rodriguez	A. Morillo	25/10/2021	1.0
PART NAME	FILE NAME			POS
Handle bar A	Handle bar A.ipt			6.10
DEVELOPED BY	REDESIGNED BY	DOC. TYPE	MATERIAL	QUANTITY
		Part	Steel A36	2
GIZ		LICENCE	SCALE	SHEET
		CC-BY-SA 4.0	1:0.50	34 /36

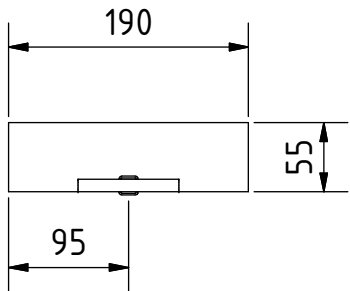
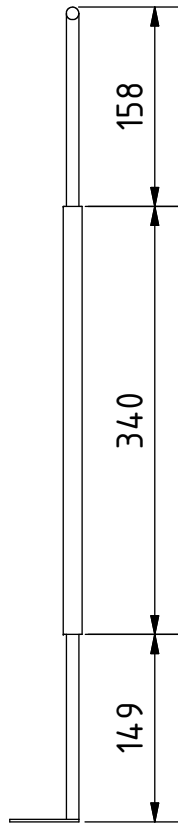
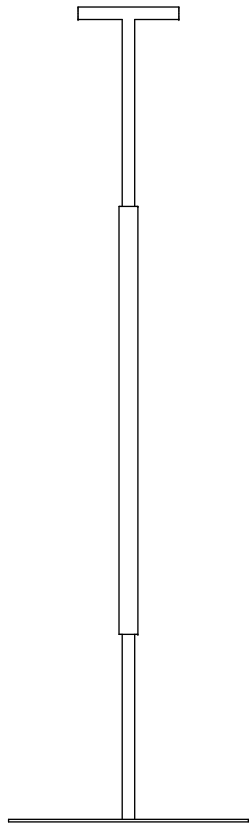
OHO e.V.



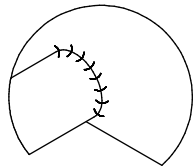
Note: All units in mm.

PROJECT	CREATED BY	APPROVED BY	DATE	VERSION
Rocket Bread Oven	D. Rodriguez	A. Morillo	25/10/2021	1.0
PART NAME	FILE NAME			POS
Handle bar B	Handle bar B.ipt			6.11
DEVELOPED BY	REDESIGNED BY	DOC. TYPE	MATERIAL	QUANTITY
GIZ		Part	Steel A36	1
		LICENCE	SCALE	SHEET
		CC-BY-SA 4.0	1:0.50	35 /36

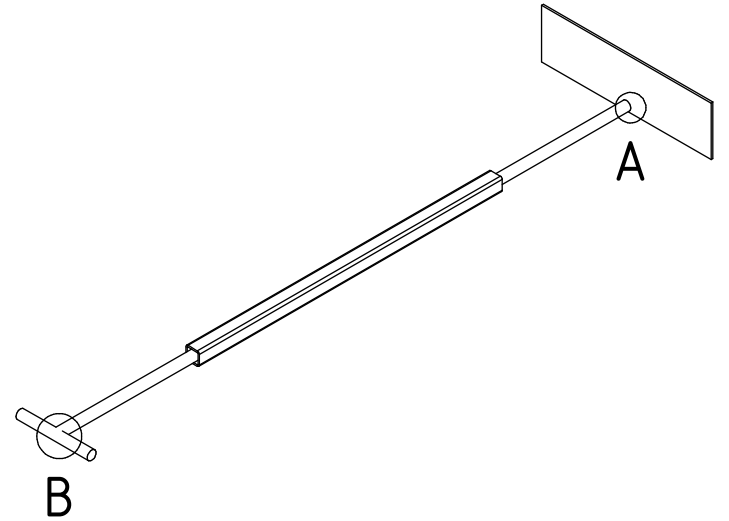
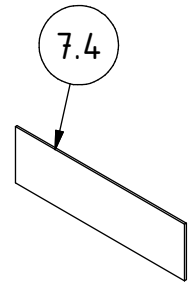
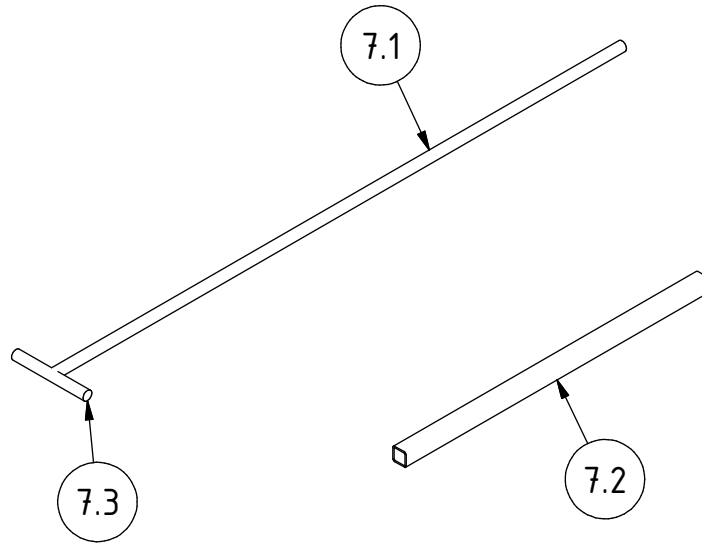
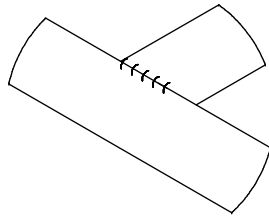
OHO e.V.



A (1 : 1)



B (1 : 1)



Note: All units in mm.

PROJECT	CREATED BY	APPROVED BY	DATE	VERSION
Rocket Bread Oven	D. Rodriguez	A. Morillo	25/10/2021	1.0
PART NAME	FILE NAME			POS
Ash remover	Ash remover.ipn			7.0
DEVELOPED BY	REDESIGNED BY	DOC. TYPE	MATERIAL	QUANTITY
		Assembly		1
GIZ		LICENCE	SCALE	SHEET
		CC-BY-SA 4.0	1:6	36 /36

OHO e.V.