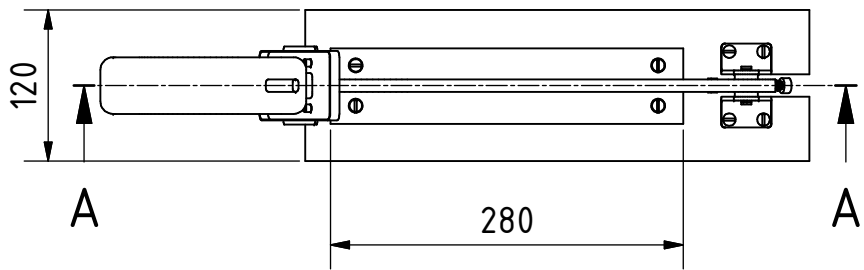
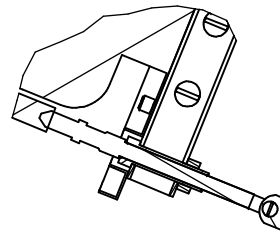
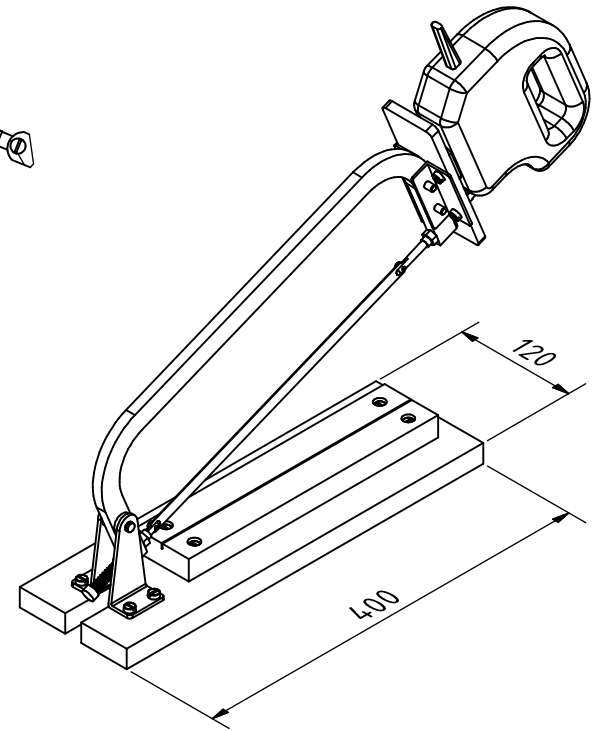
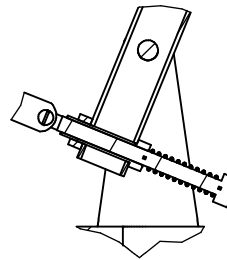


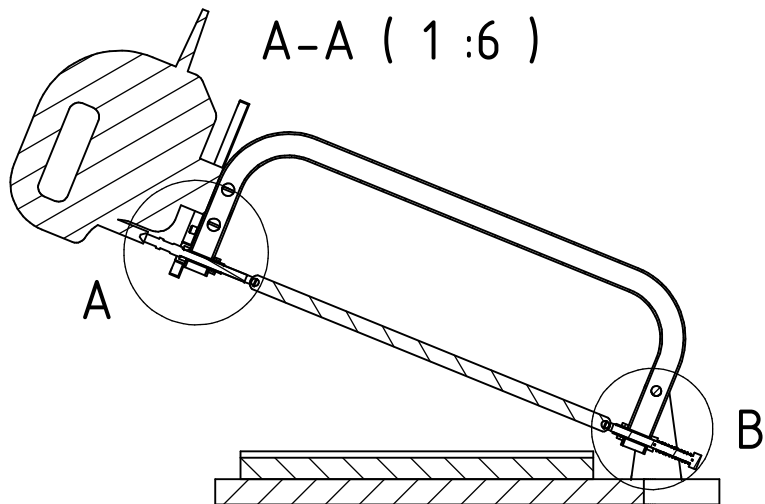
A ( 1 : 3 )



B ( 1 : 3 )



A-A ( 1 : 6 )



Note: All units in mm.

PROJECT Electrical Saw for Small Metal Works	CREATED BY J. Zeron	APPROVED BY A. Morillo	DATE 10/08/202	VERSION 1.0
PART NAME	FILE NAME oho_smw_electric-saw-for-small-metal-works.iam			POS A1
3d views PUBLISHED ON		DOC. TYPE Assembly	MATERIAL	QUANTITY 1
		LICENCE CC-BY-SA 4.0	SCALE 1:6	SHEET 1 / 11



OPEN HARDWARE OBSERVATORY  
Free Blueprints for Sustainable Development

www.oho.wiki

Developed By: (Unknown)