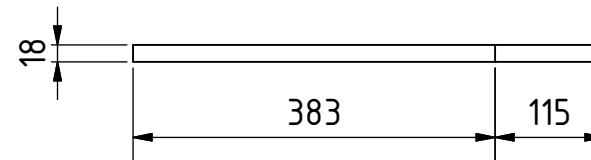
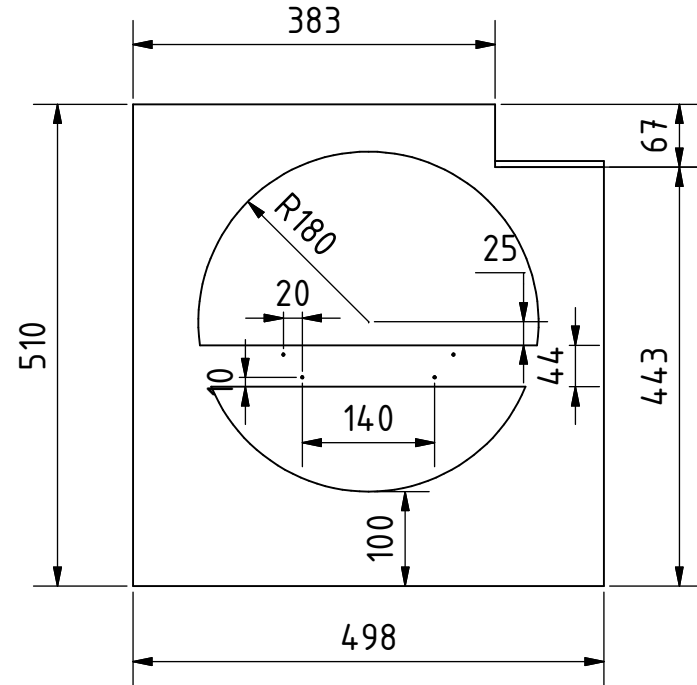


ELEVATION (1 : 8)



Note: All units in mm.

PROJECT Hand Operated Winnower for groundnut		CREATED BY J. Zeron	APPROVED BY A. Morillo	DATE 09/08/2021	VERSION 1.0
PART NAME Front panel		FILE NAME Front panel.ipt			POS 2.1
DEVELOPED BY Tropical Products Institut	REDESIGNED BY OHO e.V.	DOC. TYPE Part	MATERIAL Hard wood	QUANTITY 1	
		LICENCE CC-BY-SA 4.0	SCALE 1:8	SHEET 12 /45	