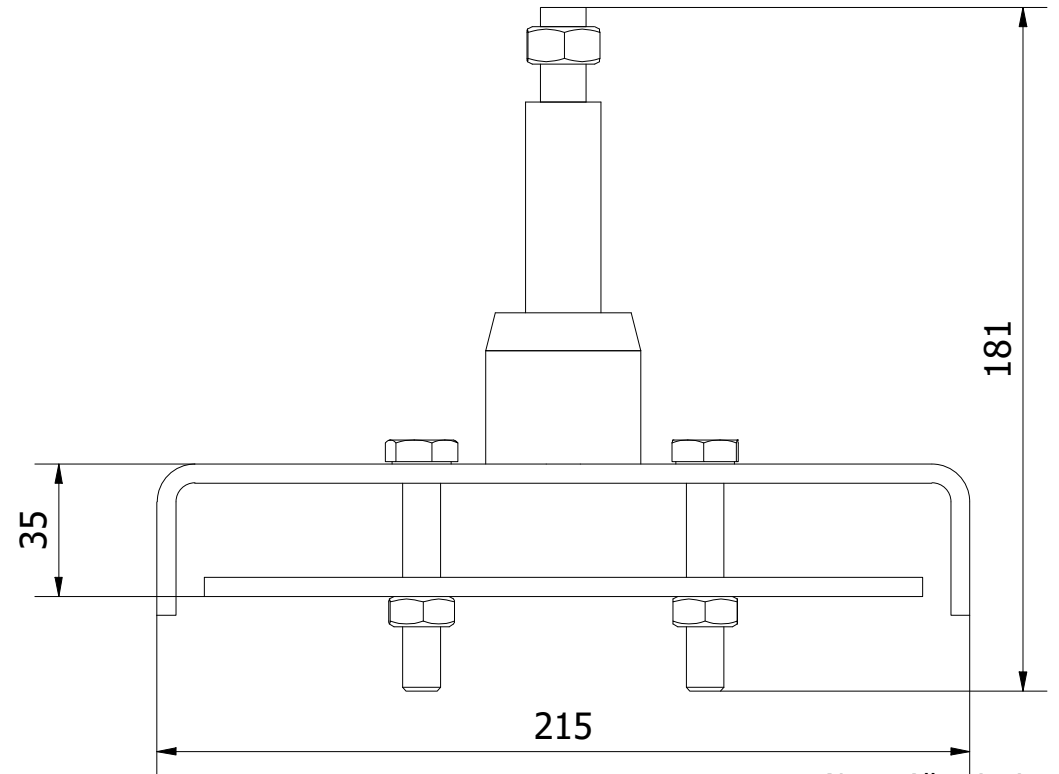
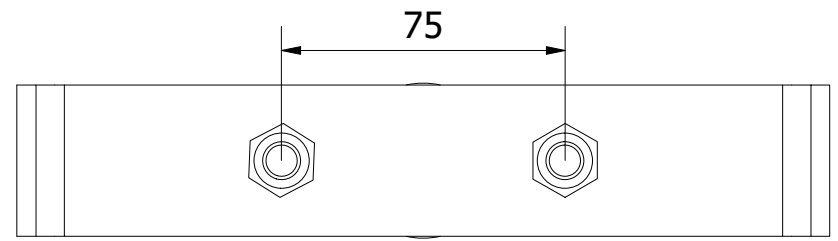
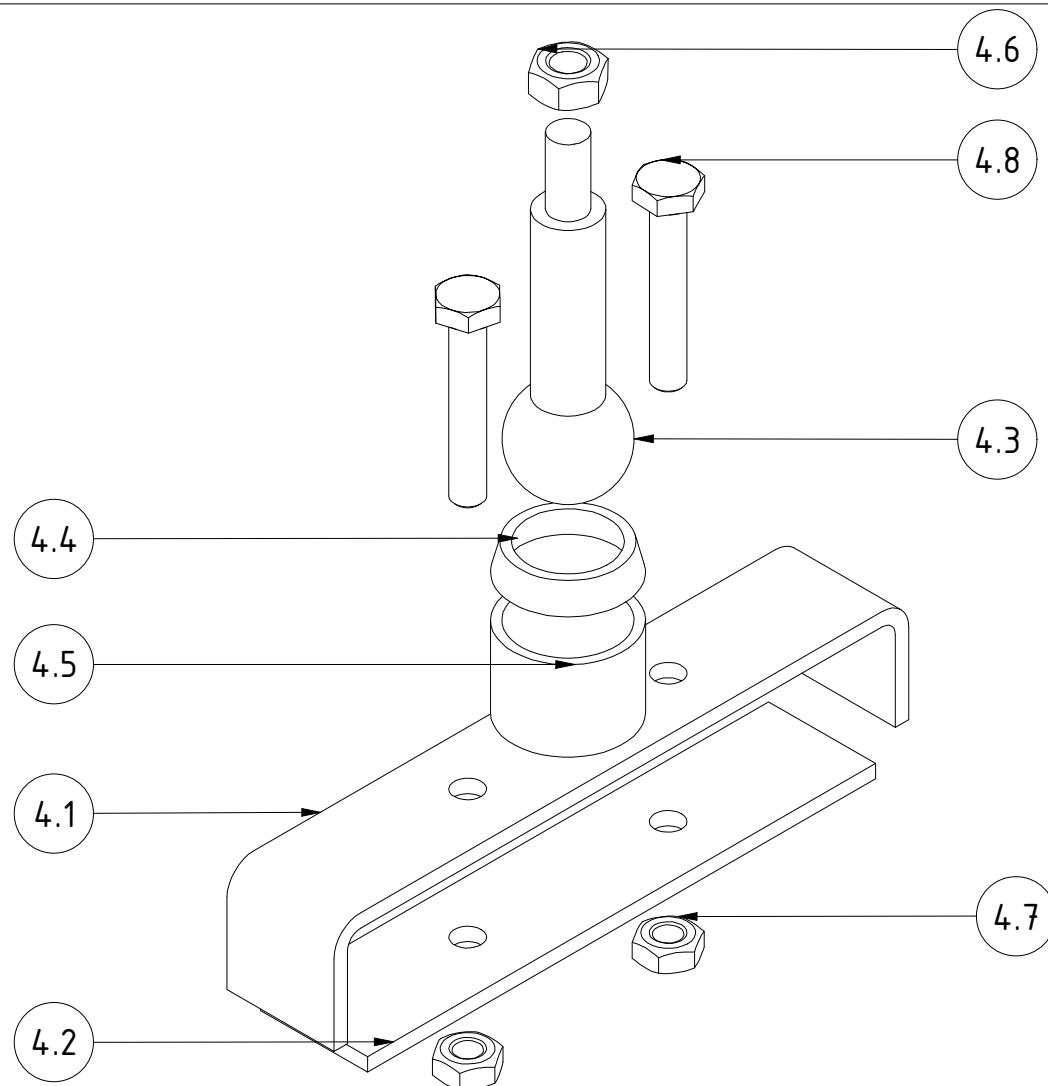


W (1 : 1)



Note: All units in mm.

PROJECT Convertible Bicycle Trailer for People - with shock absorber		CREATED BY J. Rosciano	APPROVED BY A. Morillo	DATE 26/07/2021	VERSION 1.1
PART NAME Clamp system assembly		FILE NAME Clamp system assembly.iam			POS 4.0
DEVELOPED BY Practical Action	REDESIGNED BY OHO e.V.	DOC. TYPE Assembly	MATERIAL	QUANTITY 1	
		LICENCE CC-BY-SA 4.0	SCALE 1/2	SHEET 25 /51	



PROJECT Convertible Bicycle Trailer for People - with shock absorber		CREATED BY J. Rosciano		APPROVED BY A. Morillo		DATE 26/07/2021		VERSION 1.1	
PART NAME Clamp system assembly				FILE NAME Clamp system assembly.ipn				POS 4.0	
DEVELOPED BY Practical Action			REDESIGNED BY OHO e.V.			DOC. TYPE Assembly		MATERIAL QUANTITY 1	
						LICENCE CC-BY-SA 4.0		SCALE 1/2	
								SHEET 26 /51	