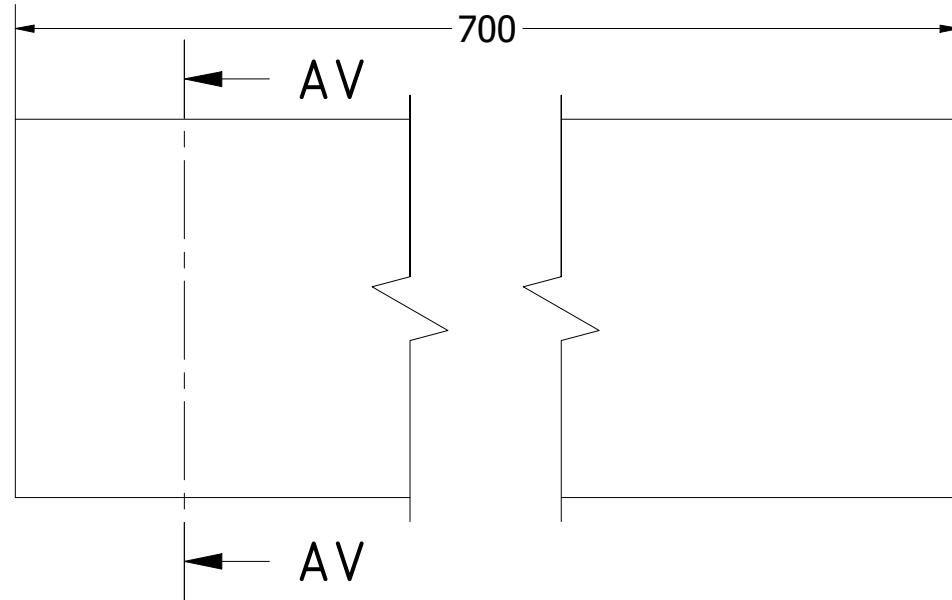



AV-AV (2/1)



Note: All units in mm.

PROJECT	CREATED BY	APPROVED BY	DATE	VERSION
The donkey cart ambulance	J. Rosciano	A. Morillo	29/07/2021	1.1
PART NAME	FILE NAME			POS
Sub frame D	1.4_Sub frame D1.ipt			1.4
DEVELOPED BY	REDESIGNED BY	DOC. TYPE	MATERIAL	QUANTITY
		Part	ASTM A36	4
		LICENCE	SCALE	SHEET
Practical Action	OHO e.V.	CC-BY-SA 4.0	2/1	12 /37