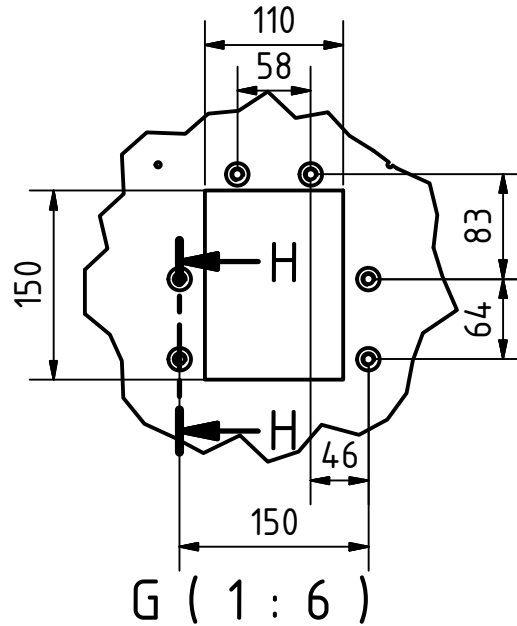


SCALE (1 : 10)

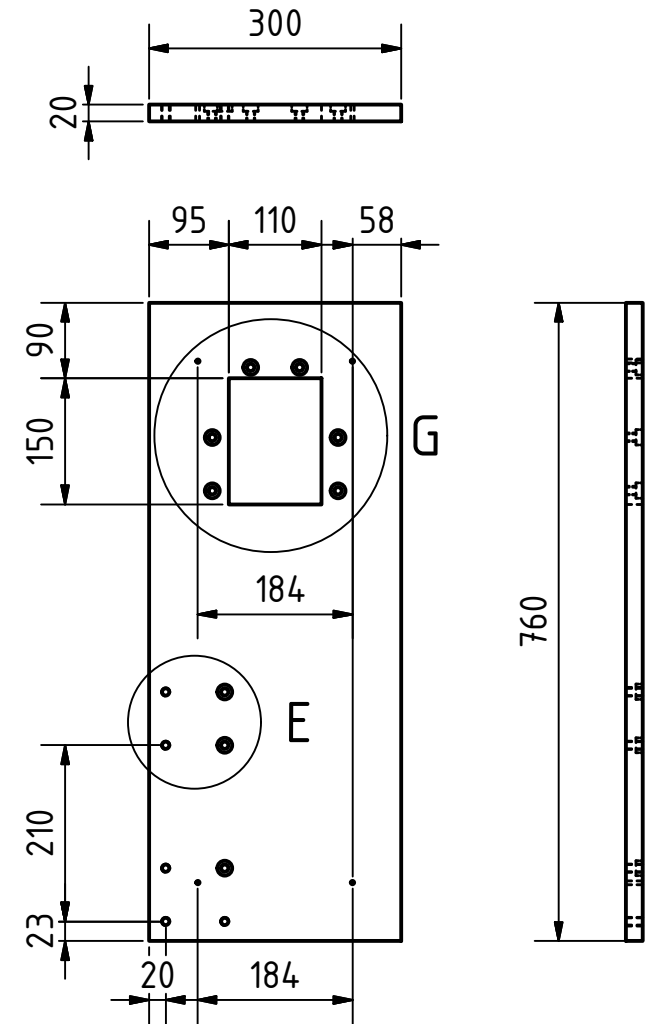


G (1 : 6)

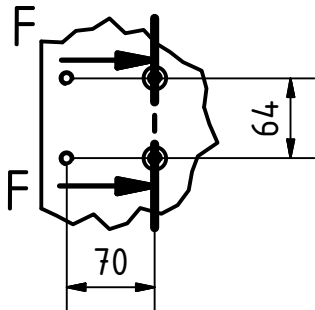


M10x1.5 - 6H
DIN 974 - Ø18,01 X 8,00

H-H (1 : 6)



SCALE (1 : 9)



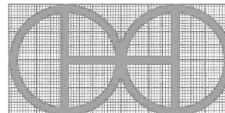
E (1 : 6)



M10x1.5 - 6H
DIN 974 - Ø18,01 X 8,00

F-F (1 : 6)

Note: All units in mm.

PROJECT Peeling Machine for Sunflower Seeds	CREATED BY L. Ruda	APPROVED BY A. Morillo	DATE 16/09/2021	VERSION 1.0
PART NAME Table top	FILE NAME Table top.ipt			POS 1.2.1
DEVELOPED BY	REDESIGNED BY 	DOC. TYPE Part	MATERIAL Kiln dried wood	QUANTITY 1
Tropical Products Institute	OHO e.V.	LICENCE CC-BY-SA 4.0	SCALE 1:10	SHEET 20 /71