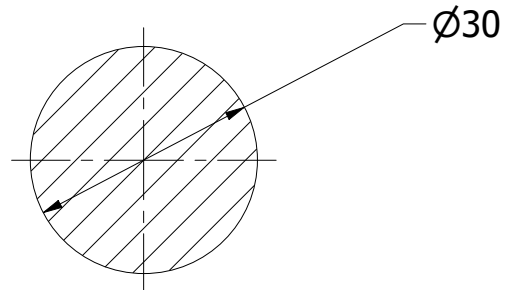
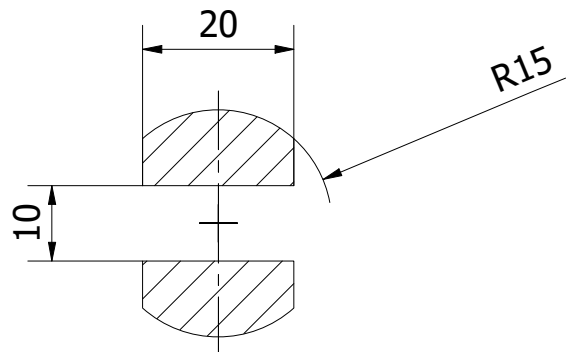


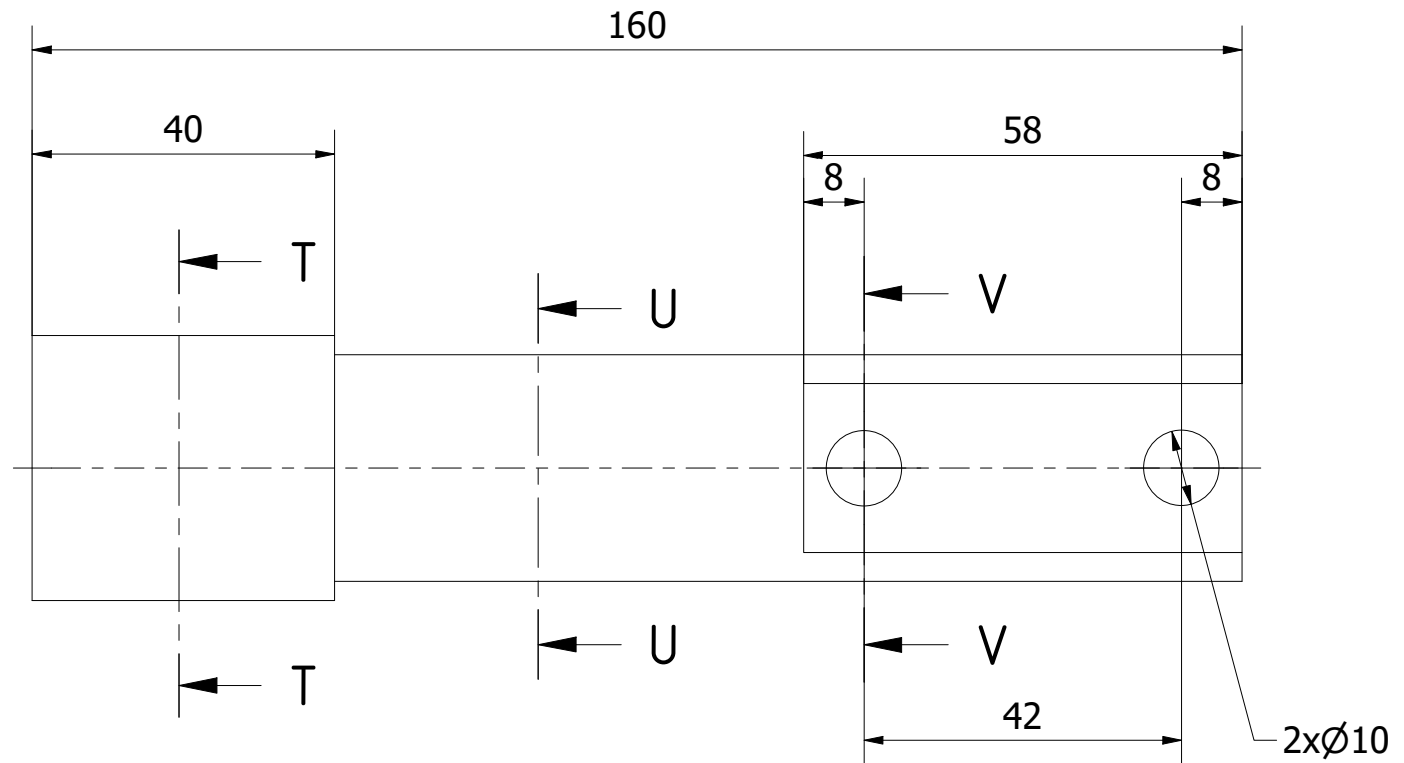
T-T (1 : 1)



U-U (1 : 1)



V-V (1 : 1)



Note: All units in mm.

| | | | | | |
|---|---------------------------|-------------------------------------|---------------------------|--------------------|----------------|
| PROJECT Convertible Bicycle Trailer for People - with shock absorber | | CREATED BY J. Rosciano | APPROVED BY A. Morillo | DATE 26/07/2021 | VERSION 1.1 |
| PART NAME Spring guide shaft | | FILE NAME Spring guide shaft.ipt | | | POS 3.5 |
| DEVELOPED BY Practical Action | REDESIGNED BY OHO e.V. | DOC. TYPE Part | MATERIAL DIN C45 | QUANTITY 1 | |
| | | LICENCE CC-BY-SA 4.0 | SCALE 1/1 | SHEET 23 /51 | |