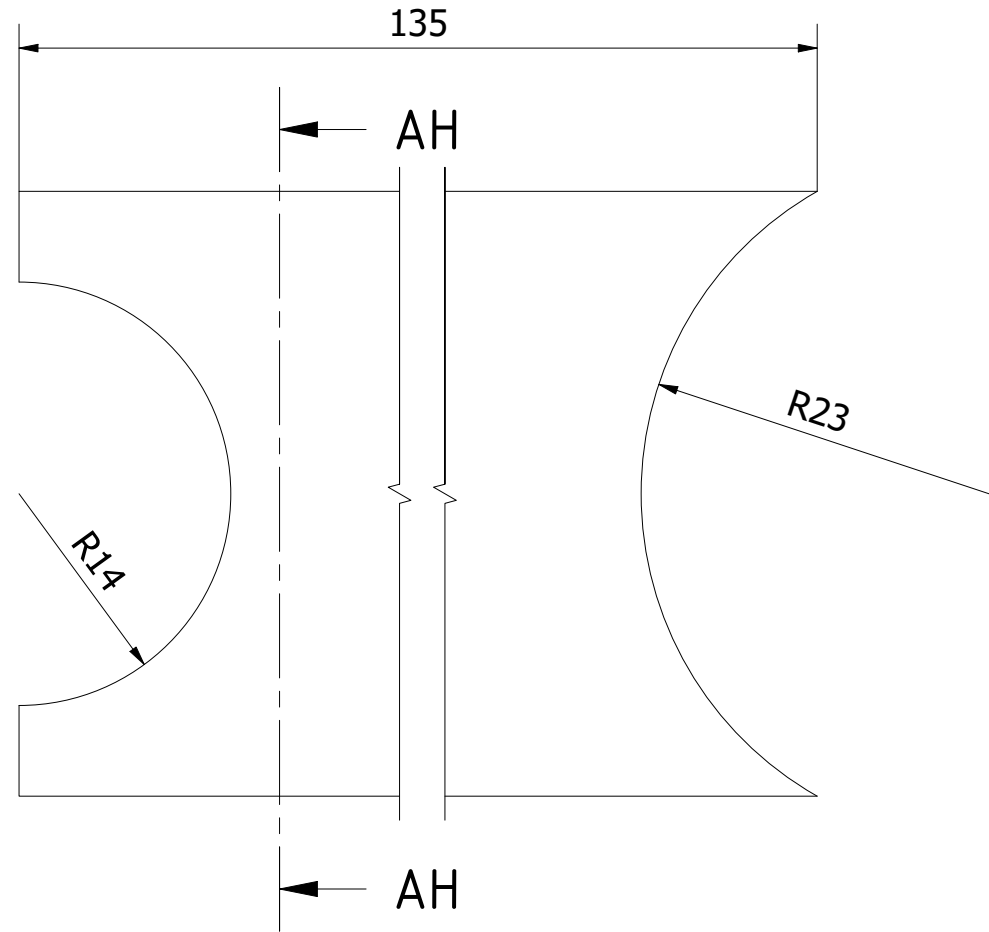
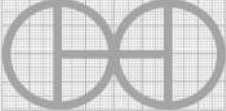


AH-AH (2/1)



Note: All units in mm.

PROJECT	CREATED BY	APPROVED BY	DATE	VERSION
Scooter with fat tire	J. Rosciano	A. Morillo	31/08/2021	1.2
PART NAME	FILE NAME			POS
Frame M	Frame M.ipt			3.3
DEVELOPED BY	REDESIGNED BY	DOC. TYPE	MATERIAL	QUANTITY
		Part	ASTM A36	1
		LICENCE	SCALE	SHEET
OHO	OHO e.V.	CC-BY-SA 4.0	2/1	39 /65