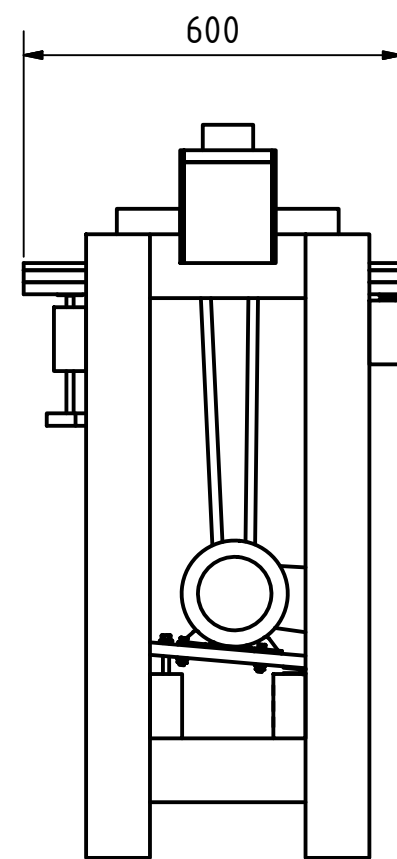
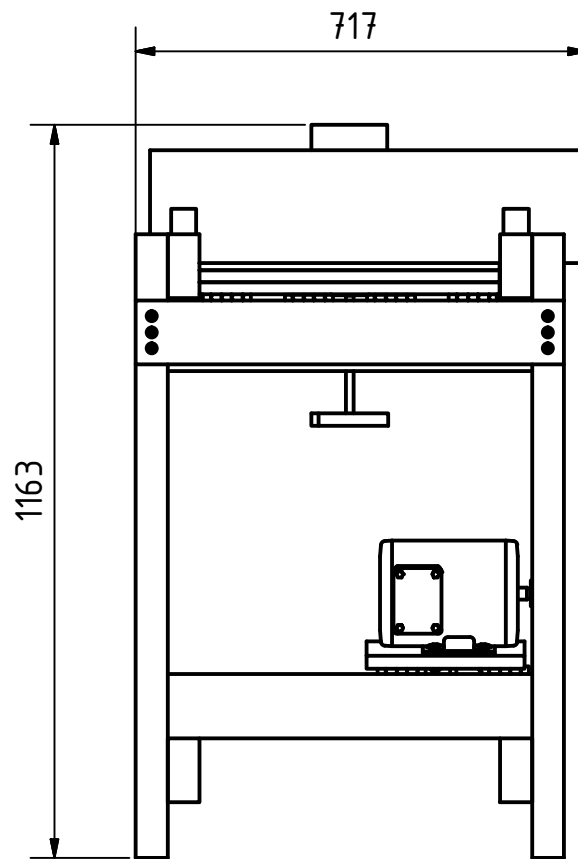
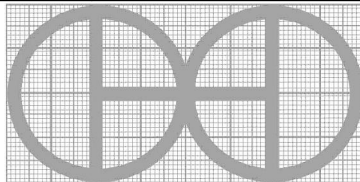


SCALE (1 : 18)



SCALE (1 : 12)

Note: All units in mm.

PROJECT	CREATED BY	APPROVED BY	DATE	VERSION
Thickness Sander	L. RUDA	A. MORILLO	06/10/2021	1.0
PART NAME	FILE NAME			POS
3d views	ph_ts_thickness-sander.iam			A1
PUBLISHED BY		DOC. TYPE	MATERIAL	QUANTITY
OHO e.V.		Assembly		1
		LICENCE	SCALE	SHEET
		CC-BY-SA 4.0	1:12	1 /22