
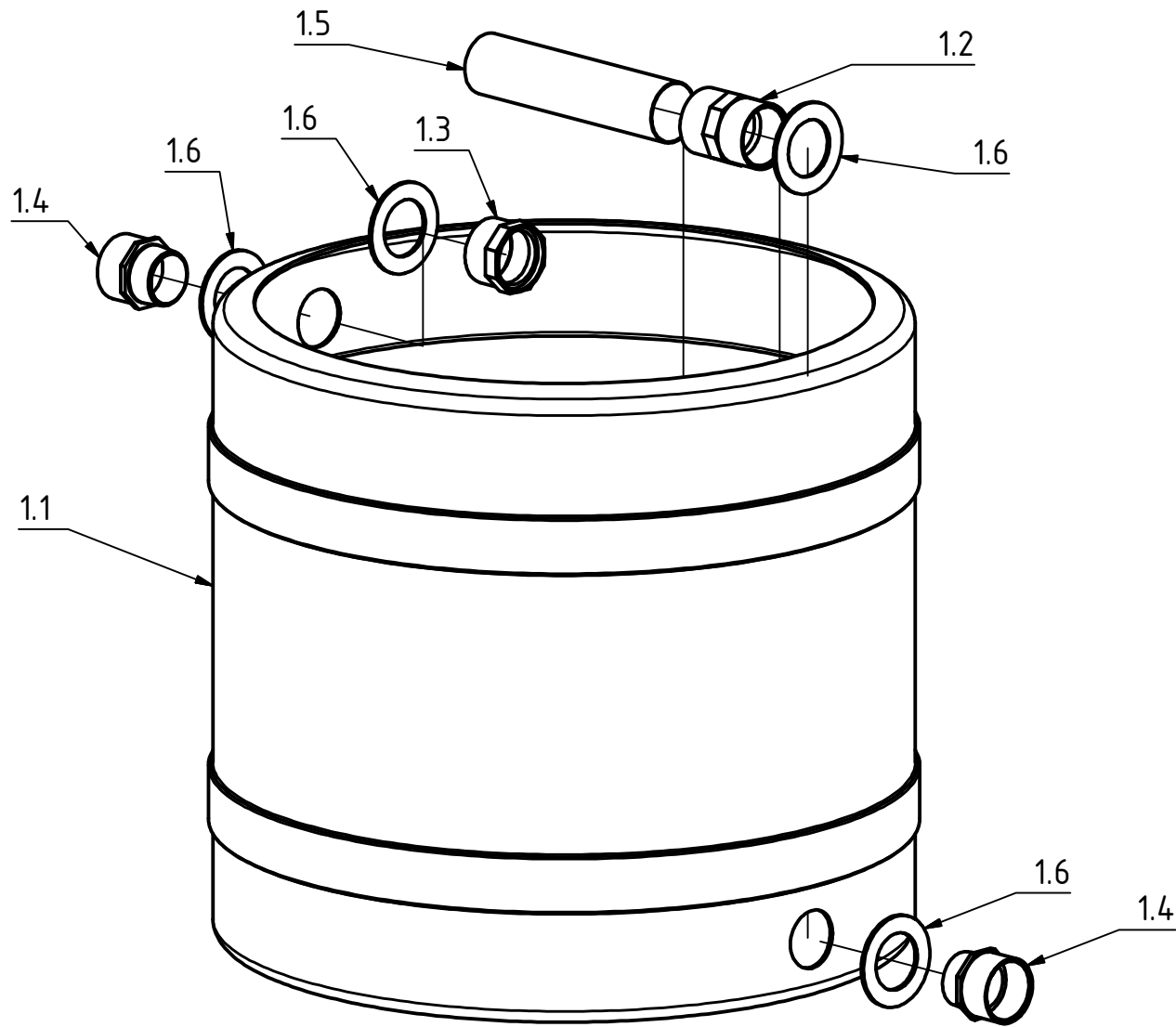


PROJECT	CREATED BY	APPROVED BY	DATE	VERSION
Floating Dome Biodigester	D.MOSQUERA	D. JAEGER	02-06-21	1.0
PART NAME	FILE NAME			PART CODE
Large tank	aid_fdb_large-tank.iam			1.0
DEVELOPED BY	REDESIGNED BY	DOC. TYPE	MATERIAL	QUANTITY
Appropriate Infrastructure Development Group	 OPEN SOURCE ECOLOGY GERMANY OHO e.V.	ASSEMBLY		1
		LICENCE	SCALE	SHEET
		CC-BY-SA 4.0	1:20	9 /40



PROJECT	CREATED BY	APPROVED BY	DATE	VERSION
Floating Dome Biodigester	D.MOSQUERA	D. JAEGER	02-06-21	1.0
PART NAME	FILE NAME	PART CODE		
Large tank	aid_fdb_large-tank.ipn	1.0		
DEVELOPED BY	REDESIGNED BY	DOC. TYPE	MATERIAL	QUANTITY
Appropriate Infrastructure Development Group	OHO e.V.	ASSEMBLY		1
		LICENCE	SCALE	SHEET
		CC-BY-SA 4.0	1:15	10 /40