

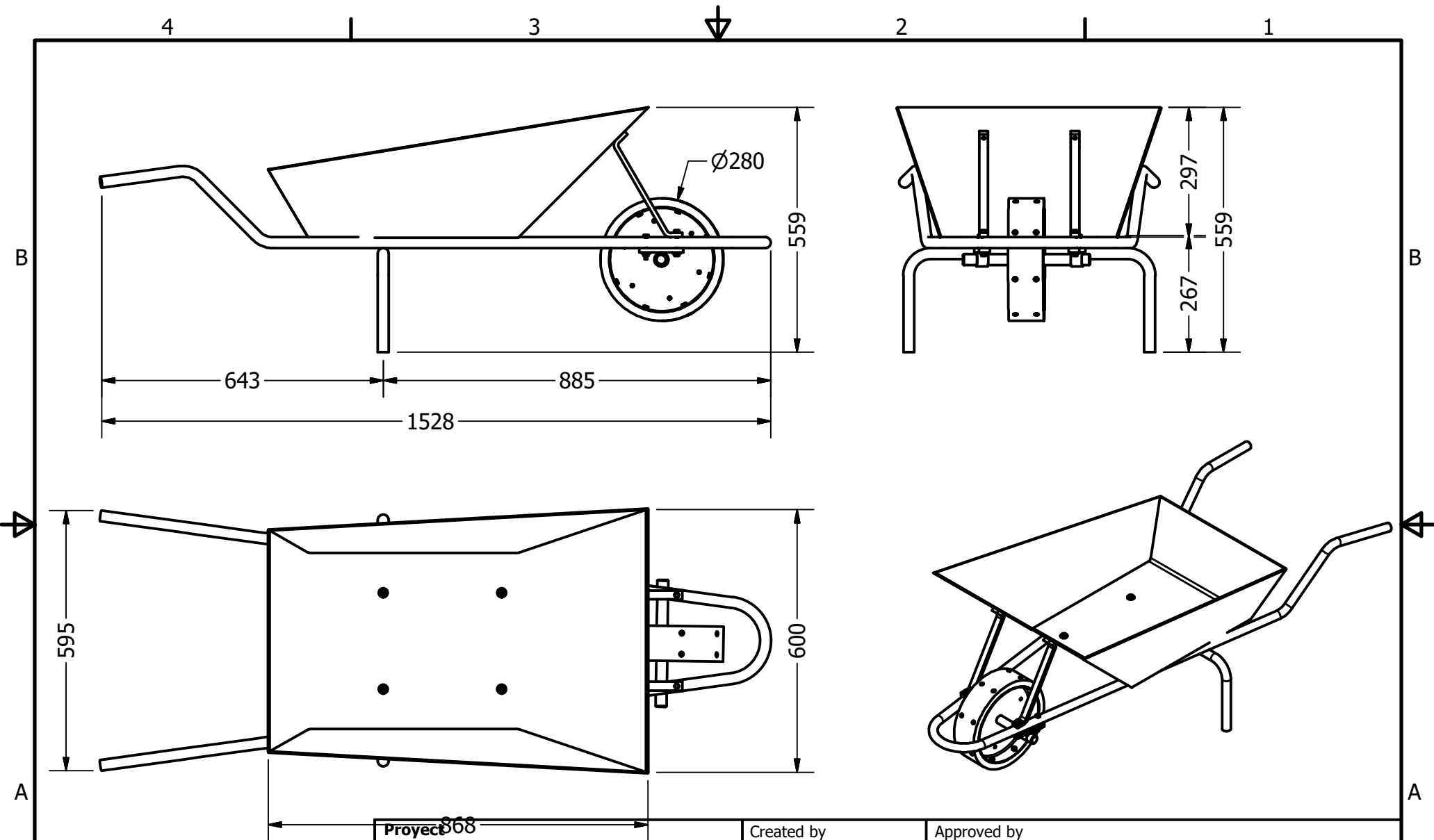

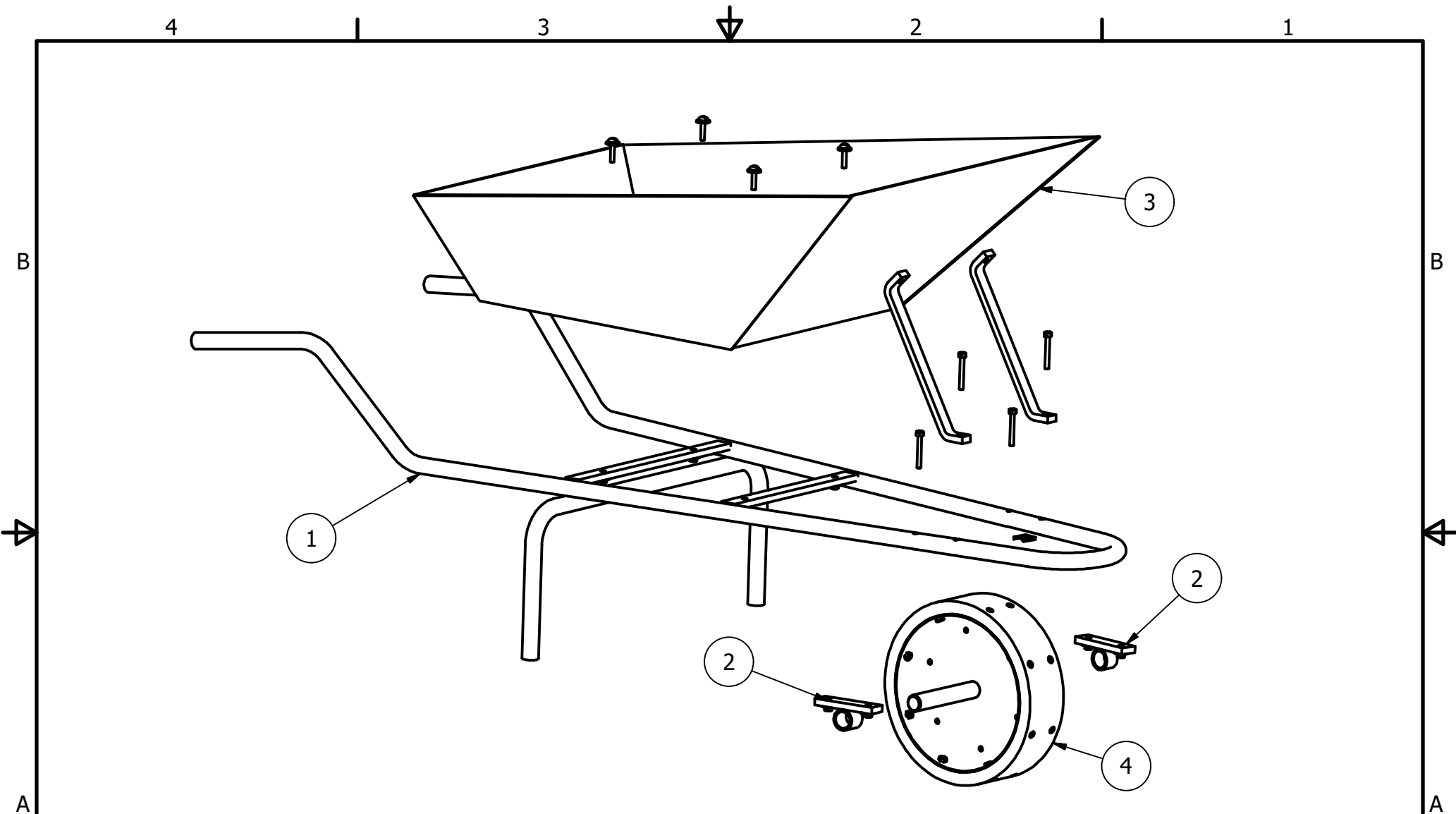



Project Wheel Barrow		Created by D. Mosquera	Approved by D. Jeager		
Part Name Wheel Barrow		Part Code A1	Document Type ASSEMBLY	Material	
Redesigned by  Open Source Ecology e.V. Knobelsdorffstr. 22 14059 Berlin www.ose-germany.de +49 (0) 30 / 92282426	Original drawing from 	License CERN-OHL	File Name oseg_wb_A1_wheel-barrow.iam	Version 1.0	Quantity
			Scale 1:8	Sheet 1	Date 11.11.20





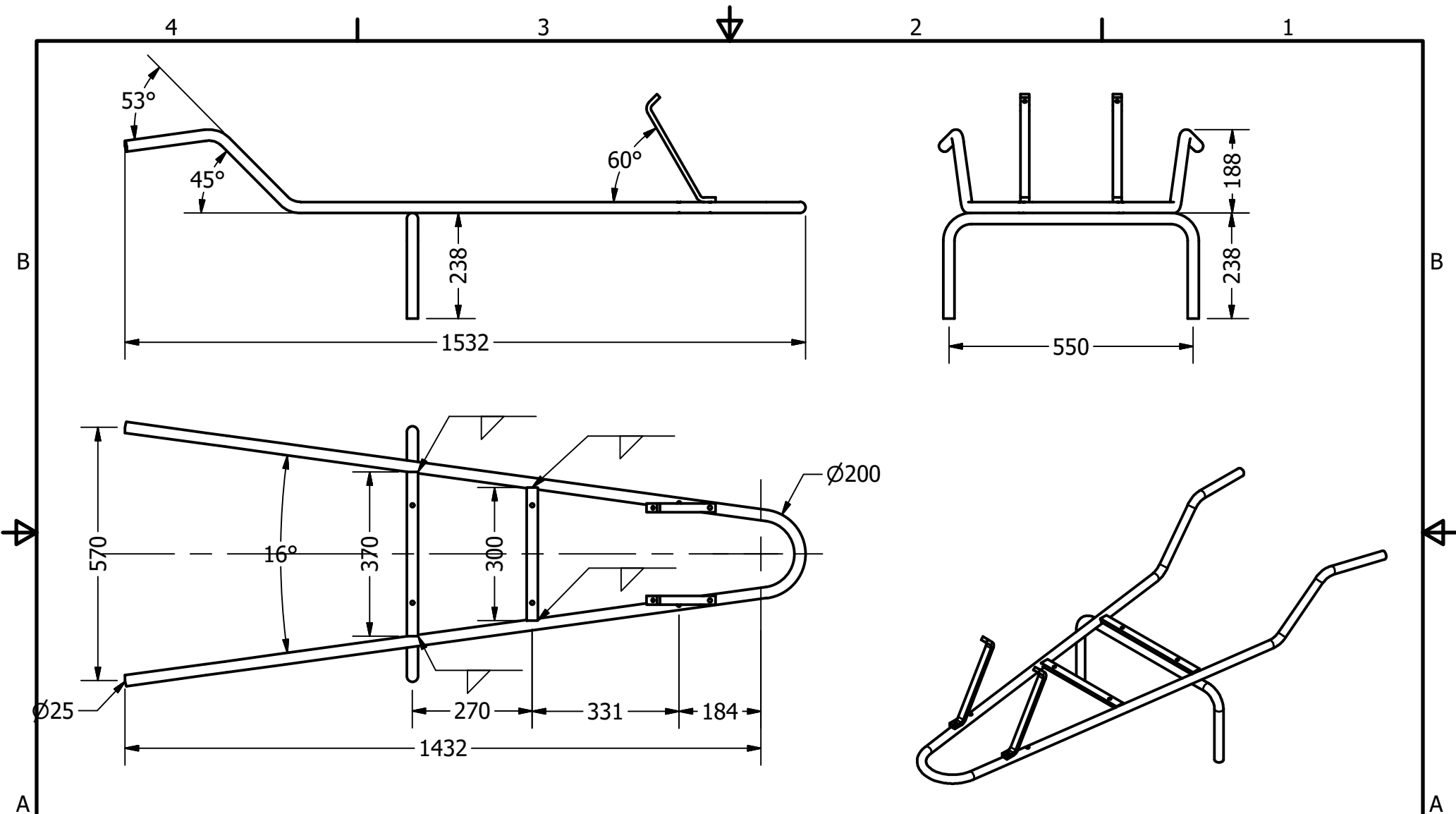
Project 868		Created by D. Mosquera		Approved by D. Jeager	
Part Name Wheel Barrow		Part Code A2		Document Type ASSEMBLY	
Redesigned by  Open Source Ecology e.V. Knobelsdorffstr. 22 14059 Berlin www.ose-germany.de +49 (0) 30 / 92282426		Original drawing from Practical ACTION		License CERN-OHL	
		File Name oseg_wb_A1_wheel-barrow.iam		Version 1.0	
		Scale 1:12		Quantity 2	
				Date 11.11.20	




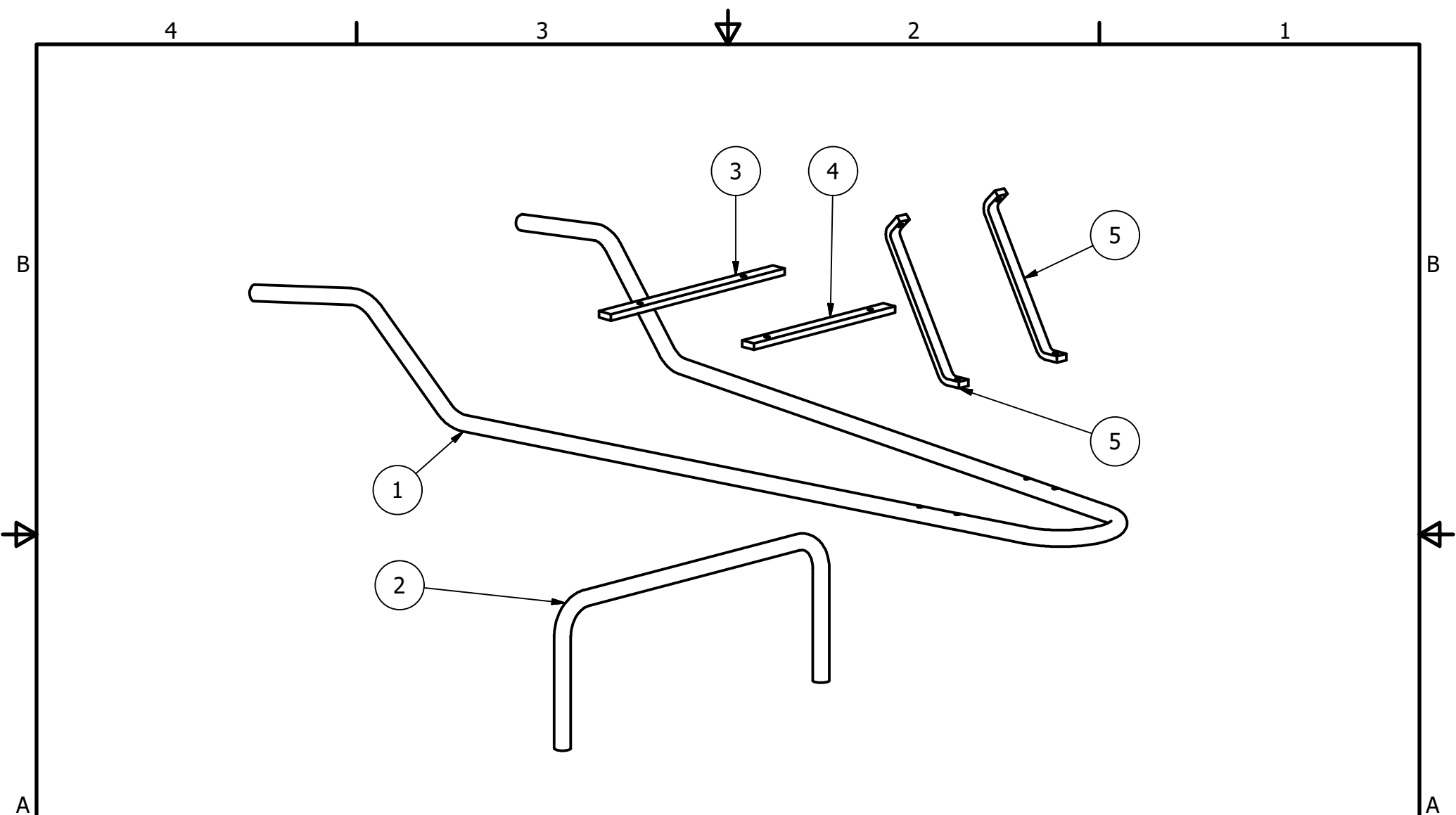
Project Wheel Barrow		Created by D. Mosquera	Approved by D. Jeager		
Part Name Wheel Barrow		Part Code A2	Document Type ASSEMBLY	Material	
Redesigned by  Open Source Ecology e.V. Knobelsdorffstr. 22 14059 Berlin www.ose-germany.de +49 (0) 30 / 92282426	Original drawing from Practical ACTION	License CERN-OHL	File Name oseg_wb_A1_wheel-barrow.ipn	Version 1.0	Quantity
			Scale 1:8	Sheet 3	Date 11.11.20


Pos.	Pos. old	Qty.	Part name	File name (new)	Part type	Specifications	Sheet
A1			Wheel barrow	oseg_wb_A1_wheel-barrow.iam	production		1
B			Wheel barrow parts-list	oseg_wb_B_parts-list.			4
1	1	1	Chassis	oseg_wb_1_chassis.iam			5
1.1	3	1	Structure chassis	oseg_wb_1.1_structure-chassis.ipt	production		6
1.2		1	Support legs	oseg_wb_1.2_support-legs.ipt	production		7
1.3	6	1	Support legs	oseg_wb_1.3_rear-mounting-braket.ipt	production		8
1.4	7	1	front mounting braket	oseg_wb_1.4_front-mounting-braket.ipt	production		9
1.5	4	2	front braket	oseg_wb_1.5_front-braket.ipt	production		10
1.6	5	4	reinforcement leg	oseg_wb_1.6_reinforcement-leg.ipt	production		11
2	8	2	Axle bearing bracket	oseg_wb_2_Axle-bearing-bracket.iam			12
2.1		2	bearing	oseg_wb_2.1_bearing.ipt	production		14
2.2		2	brackets	oseg_wb_2.2_brackets.ipt	production		15
3	2	1	Hopper	oseg_wb_3_hopper.iam			16
3.1		1	Hopper sheet	oseg_wb_3.1_hopper-sheet.iam	production		18
3.2		2	Hopper side	oseg_wb_3.2_hopper-side.iam	production		19
3.3		4	Screw hexagon head		Standard	ISO- M6 x 30	
3.4		4	Hex nut		Standard	Heavy Hex Nut Metric M6x1.75	
3.5		4	Plain washers		Standard	ISO -ST 6-140 HV	
4	9	1	Wheel	oseg_wb_4_Wheel.iam	Assembly		20
4.1		1	axis	oseg_wb_4.1_axis.ipt	production		22
4.2		2	wheel armature	oseg_wb_4.2_wheel-armature.ipt	production		23
4.3		1	strip of tyre	oseg_wb_4.3_strip-of-tyre.ipt	production		24
4.4		12	Screw allen head		Standard	ISO- M6 x 30	
4.5		12	Hex nut		Standard	Heavy Hex Nut Metric M6x1.75	
4.6		12	Plain washers		Standard	ISO -ST 6-140 HV	

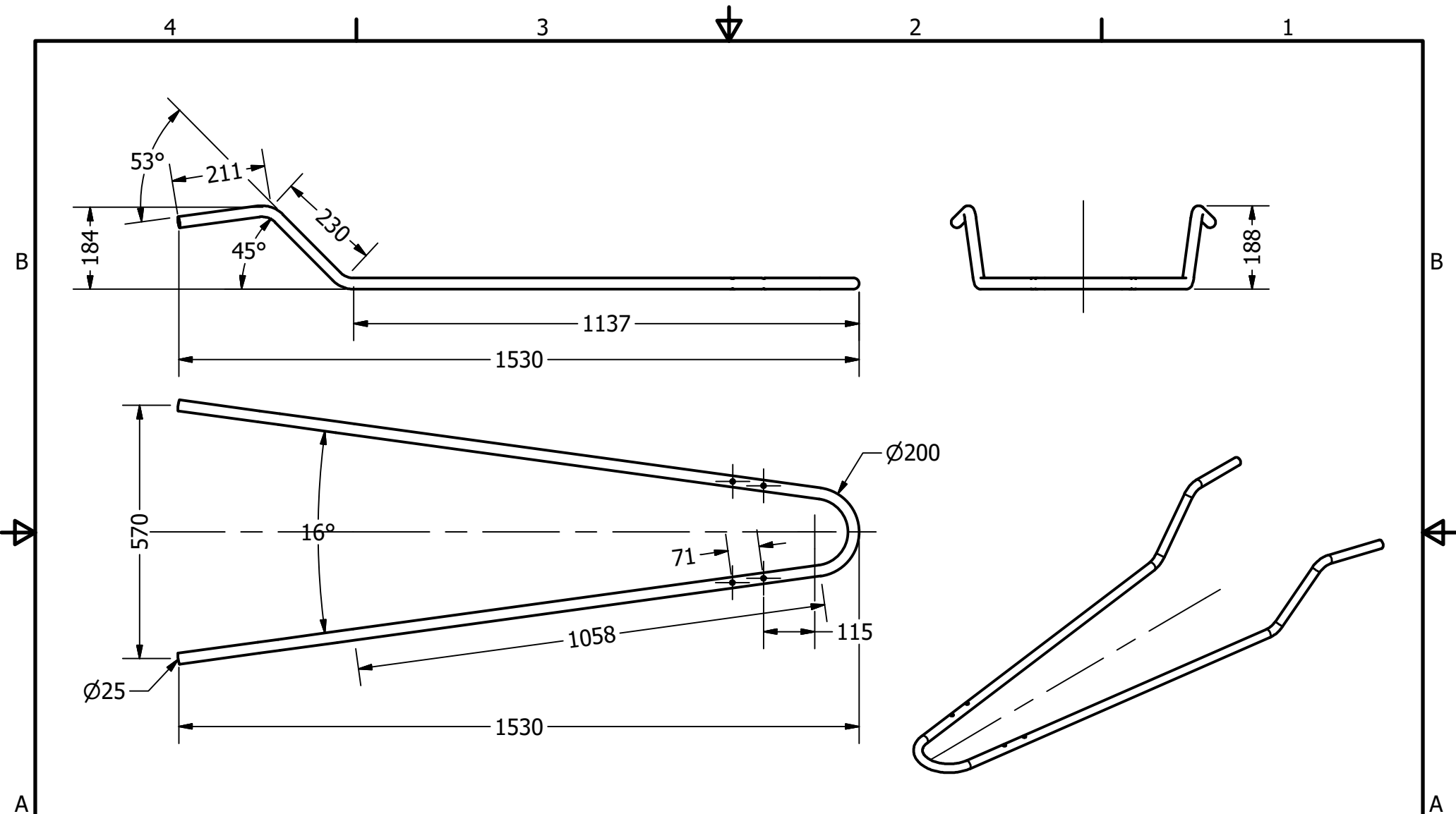
Project Wheel Barrow		Created by D. Mosquera	Approved by D. Jeager		
Part Name Wheel Barrow		Part Code B1	Document Type Part list		Material
Redesigned by  Open Source Ecology e.V. Knobelsdorffstr. 22 14059 Berlin www.ose-germany.de +49 (0) 30 / 92282426 <small>OPEN SOURCE ECOLOGY GERMANY</small>	Original drawing from 	License CERN-OHL	File Name oseg_wb_A1_wheel-barrow.iam	Version 1.0	Quantity
			Scale S/E	Sheet 4	Date 11.11.20




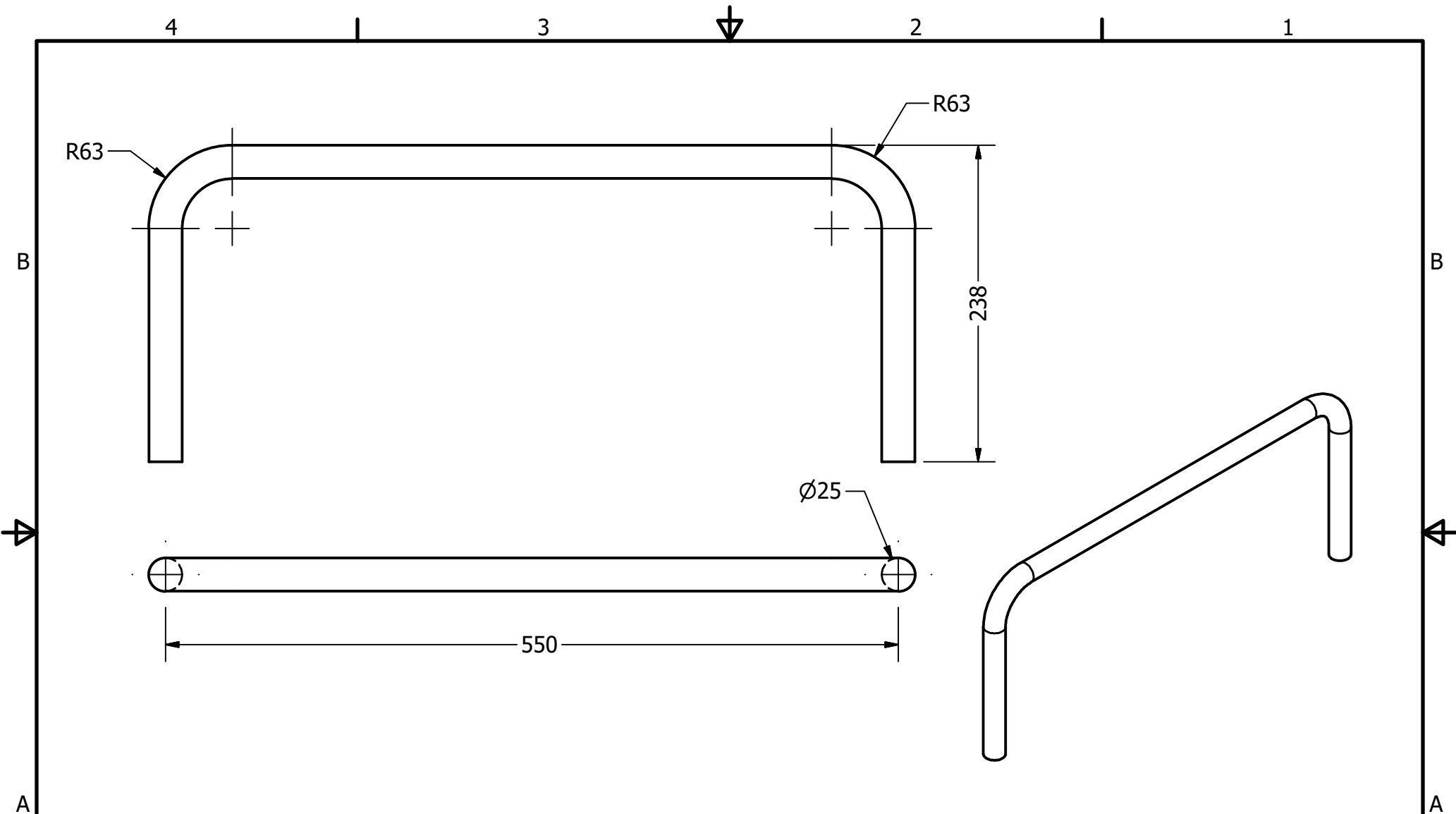
Project Wheel Barrow		Created by D. Mosquera		Approved by D. Jeager	
Part Name Shassis		Part Code 1		Document Type ASSEMBLY	
Redesigned by  Open Source Ecology e.V. Knobelsdorffstr. 22 14059 Berlin www.ose-germany.de +49 (0) 30 / 92282426		Original drawing from Practical ACTION		License CERN-OHL	
		File Name oseg_wb_1_chassis.iam		Version 1.0	
		Scale 1:12		Quantity Date 11.11.20	
		Sheet 5			




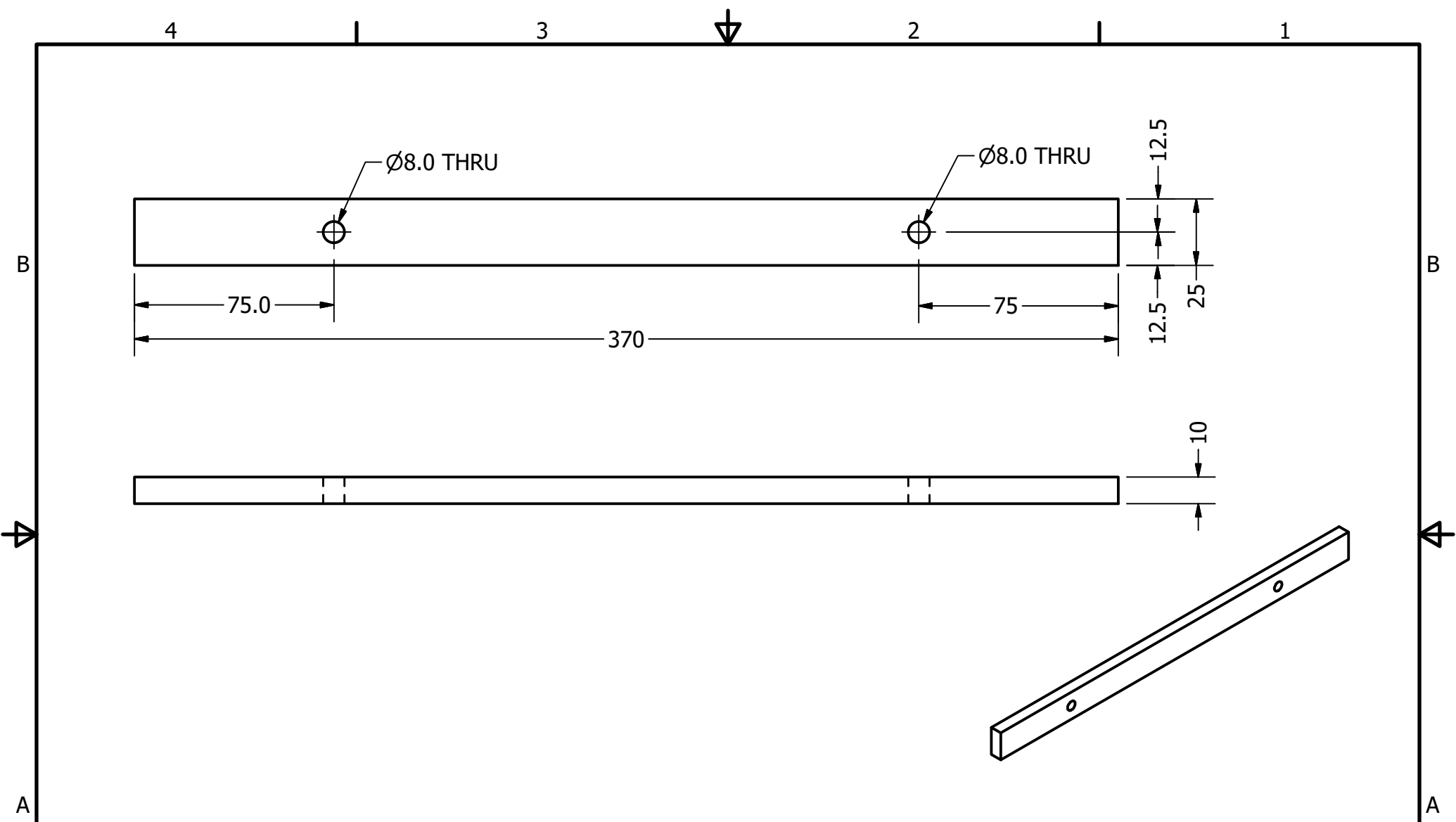
Project Wheel Barrow		Created by D. Mosquera		Approved by D. Jeager	
Part Name Shassis		Part Code 1		Document Type ASSEMBLY	
Redesigned by  Open Source Ecology e.V. Knobelsdorffstr. 22 14059 Berlin www.ose-germany.de +49 (0) 30 / 92282426		Original drawing from Practical ACTION		License CERN-OHL	
				File Name oseg_wb_1_chassis.ipn	
				Version 1.0	
				Quantity	
				Scale 1:12	
				Sheet 6	
				Date 11.11.20	




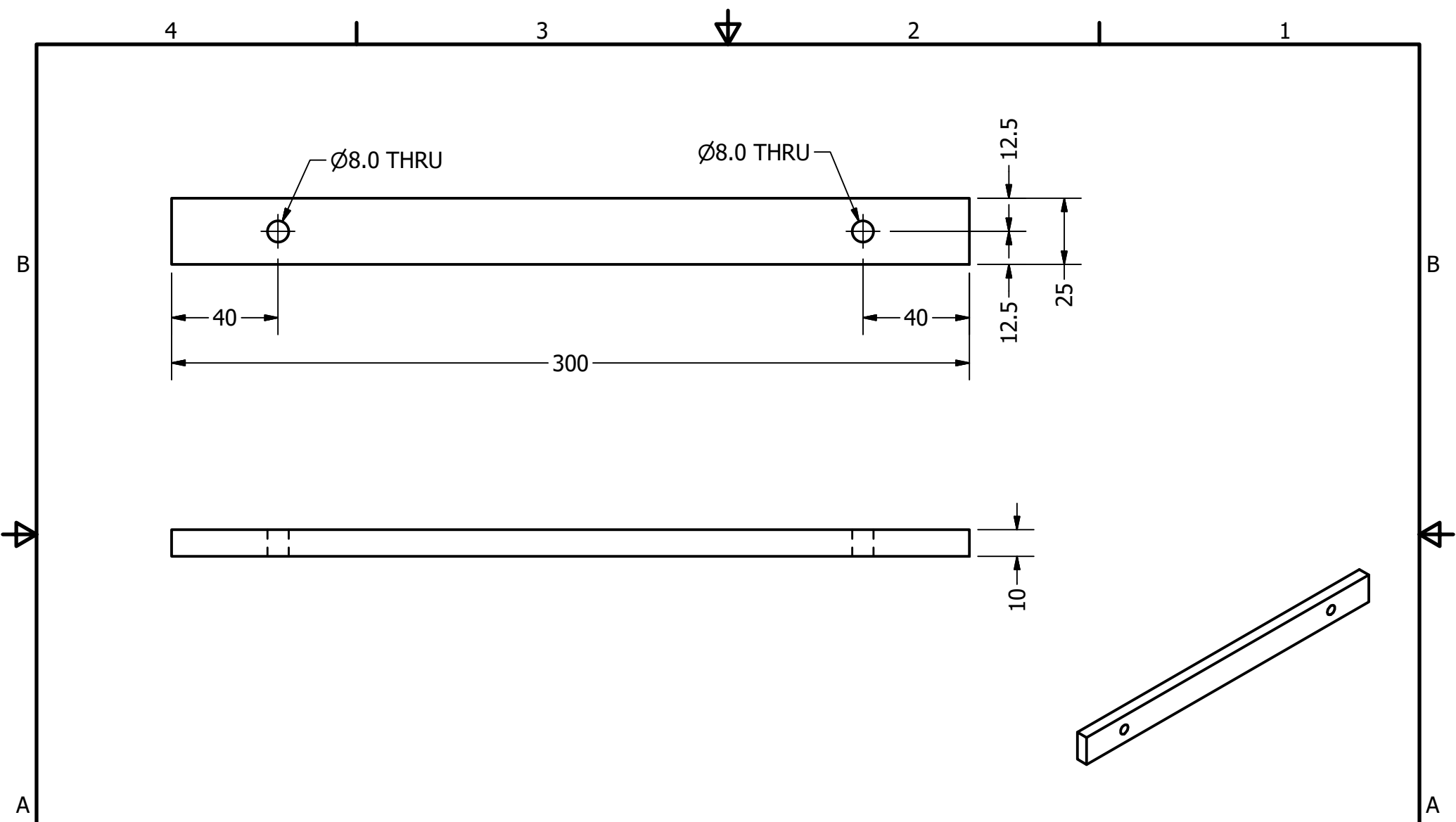
Project Wheel Barrow		Created by D. Mosquera		Approved by D. Jeager	
Part Name Structure-chassis		Part Code 1.1		Document Type part	
Redesigned by  Open Source Ecology e.V. Knobelsdorffstr. 22 14059 Berlin www.ose-germany.de +49 (0) 30 / 92282426		Original drawing from Practical ACTION		License CERN-OHL	
		File Name oseg_wb_1.1_structure-chassis.ipt		Version 1.0	
		Scale 1:12		Quantity 7	
				Date 11.11.20	




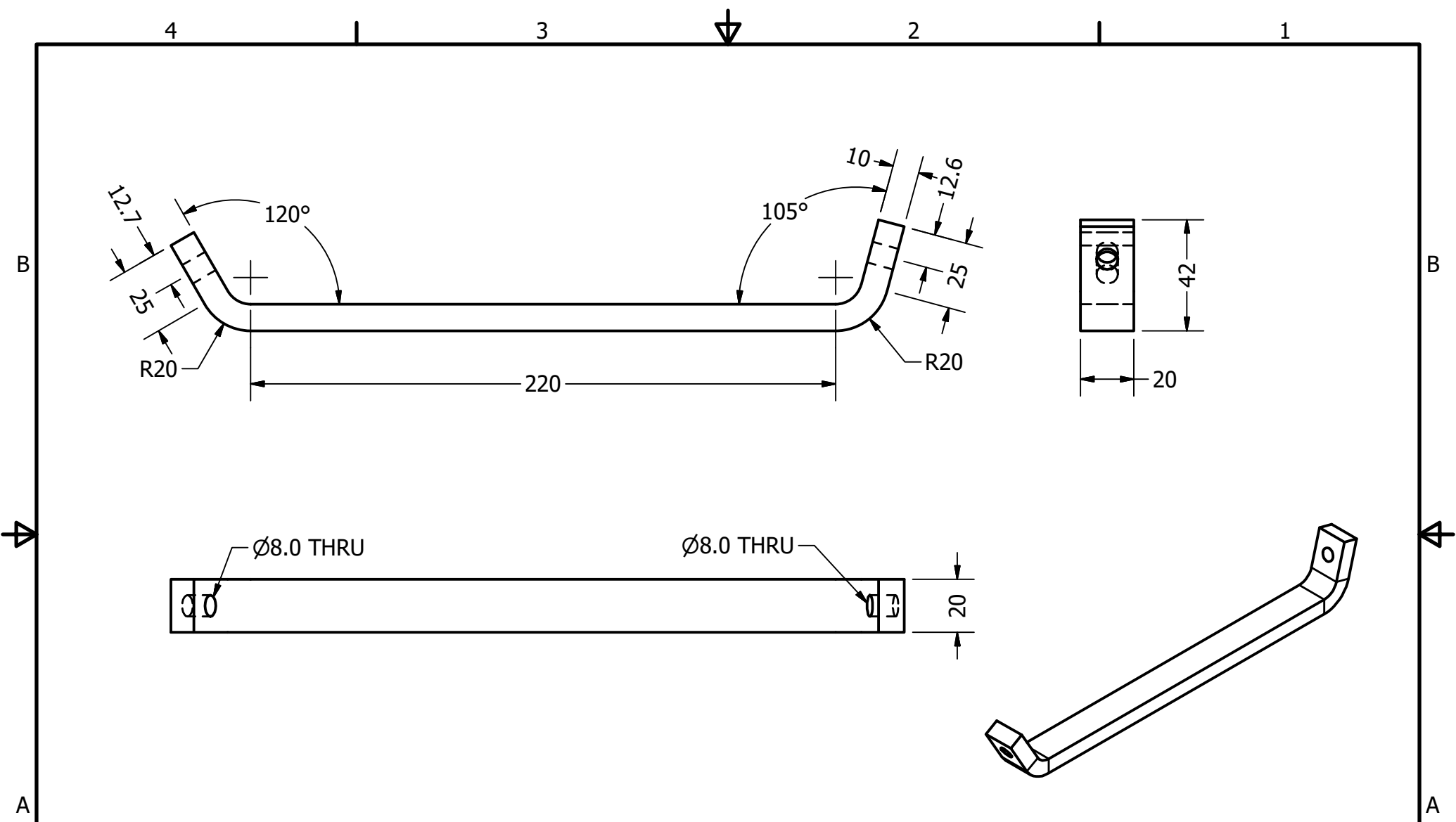
Project Wheel Barrow		Created by D. Mosquera		Approved by D. Jeager	
Part Name Support-legs		Part Code 1.2		Document Type part	
Redesigned by  Open Source Ecology e.V. Knobelsdorffstr. 22 14059 Berlin www.ose-germany.de +49 (0) 30 / 92282426		Original drawing from Practical ACTION		License CERN-OHL	
				File Name oseg_wb_1.2_support-legs.ipt	
				Version 1.0	
				Quantity	
				Scale 1:4	
				Sheet 8	
				Date 11.11.20	




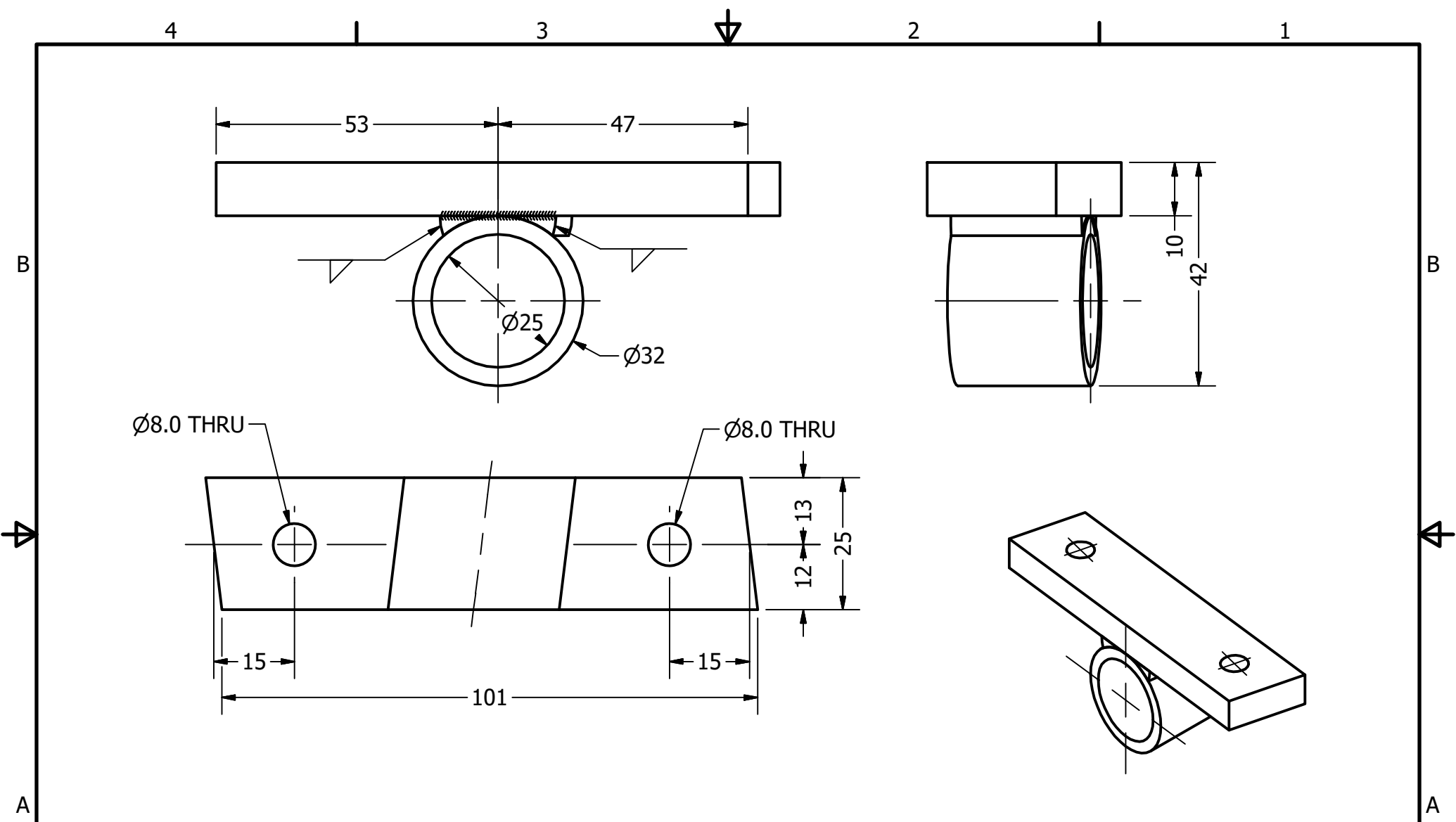
Project Wheel Barrow		Created by D. Mosquera		Approved by D. Jeager	
Part Name Rear-mounting-braket		Part Code 1.3		Document Type part	
Redesigned by  Open Source Ecology e.V. Knobelsdorffstr. 22 14059 Berlin www.ose-germany.de +49 (0) 30 / 92282426		Original drawing from Practical ACTION		License CERN-OHL	
		File Name oseg_wb_1.3_rear-mounting-braket.ipt		Version 1.0	
		Scale 1:2		Quantity 9	
				Date 11.11.20	




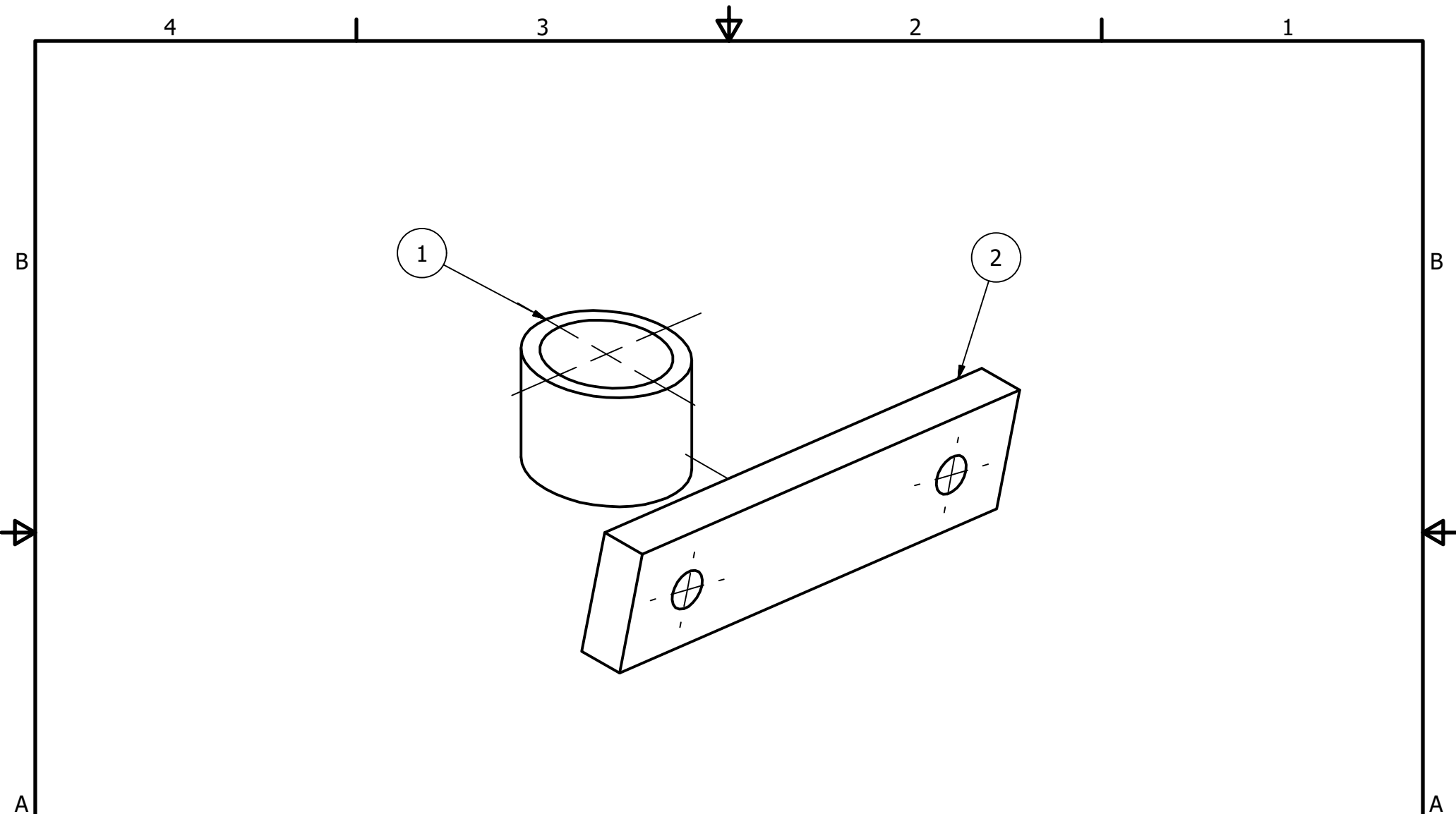
Project Wheel Barrow		Created by D. Mosquera		Approved by D. Jeager	
Part Name Front-mounting-braket		Part Code 1.4		Document Type part	
Redesigned by  Open Source Ecology e.V. Knobelsdorffstr. 22 14059 Berlin www.ose-germany.de +49 (0) 30 / 92282426		Original drawing from Practical ACTION		License CERN-OHL	
		File Name oseg_wb_1.4_front-mounting-braket.ip		Version 1.0	
		Scale 1:2		Quantity 10	
				Date 11.11.20	




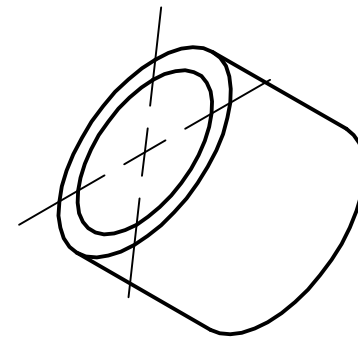
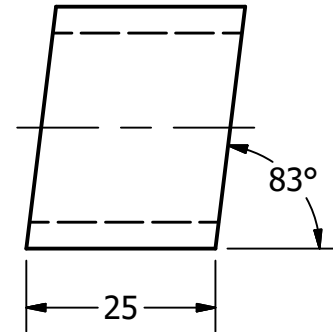
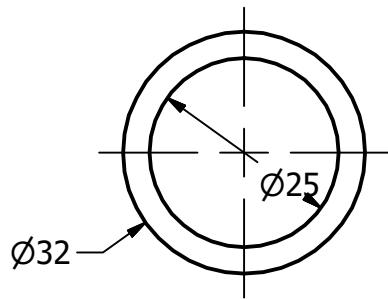
Project Wheel Barrow		Created by D. Mosquera		Approved by D. Jeager	
Part Name Front-braket		Part Code 1.5		Document Type part	
Redesigned by  Open Source Ecology e.V. Knobelsdorffstr. 22 14059 Berlin www.ose-germany.de +49 (0) 30 / 92282426		Original drawing from Practical ACTION		License CERN-OHL	
		File Name oseg_wb_1.5_front-braket.ipt		Version 1.0	
		Scale 1:2		Quantity 11	
				Date 11.11.20	




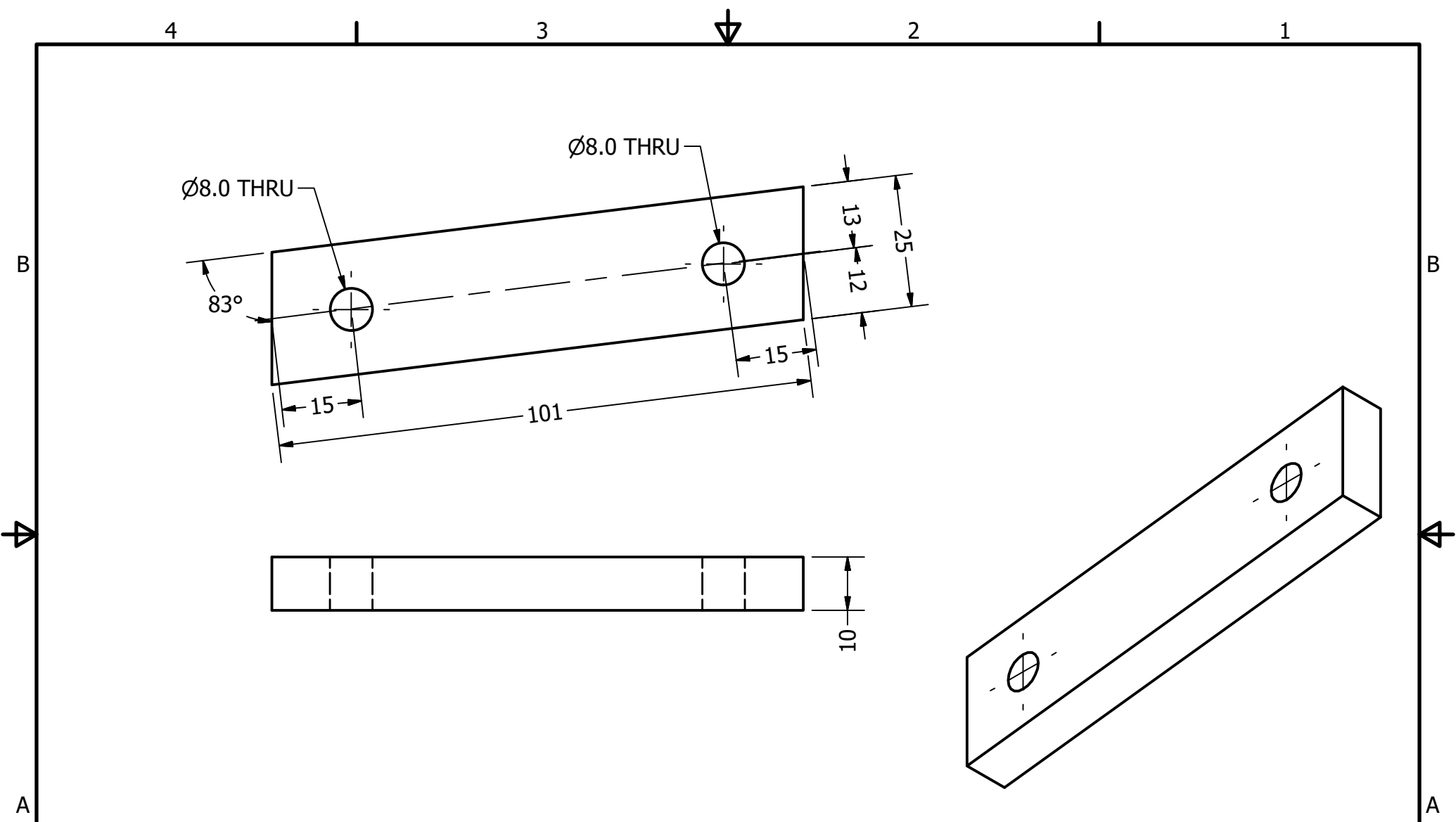
Project Wheel Barrow		Created by D. Mosquera		Approved by D. Jeager	
Part Name Axle-bearing-bracket		Part Code 2		Document Type Assambly	
Redesigned by  Open Source Ecology e.V. Knobelsdorffstr. 22 14059 Berlin www.ose-germany.de +49 (0) 30 / 92282426		Original drawing from Practical ACTION		License CERN-OHL	
		File Name oseg_wb_2_Axle-bearing-bracket.lam		Version 1.0	
		Scale 1:1		Quantity 12	
				Date 11.11.20	




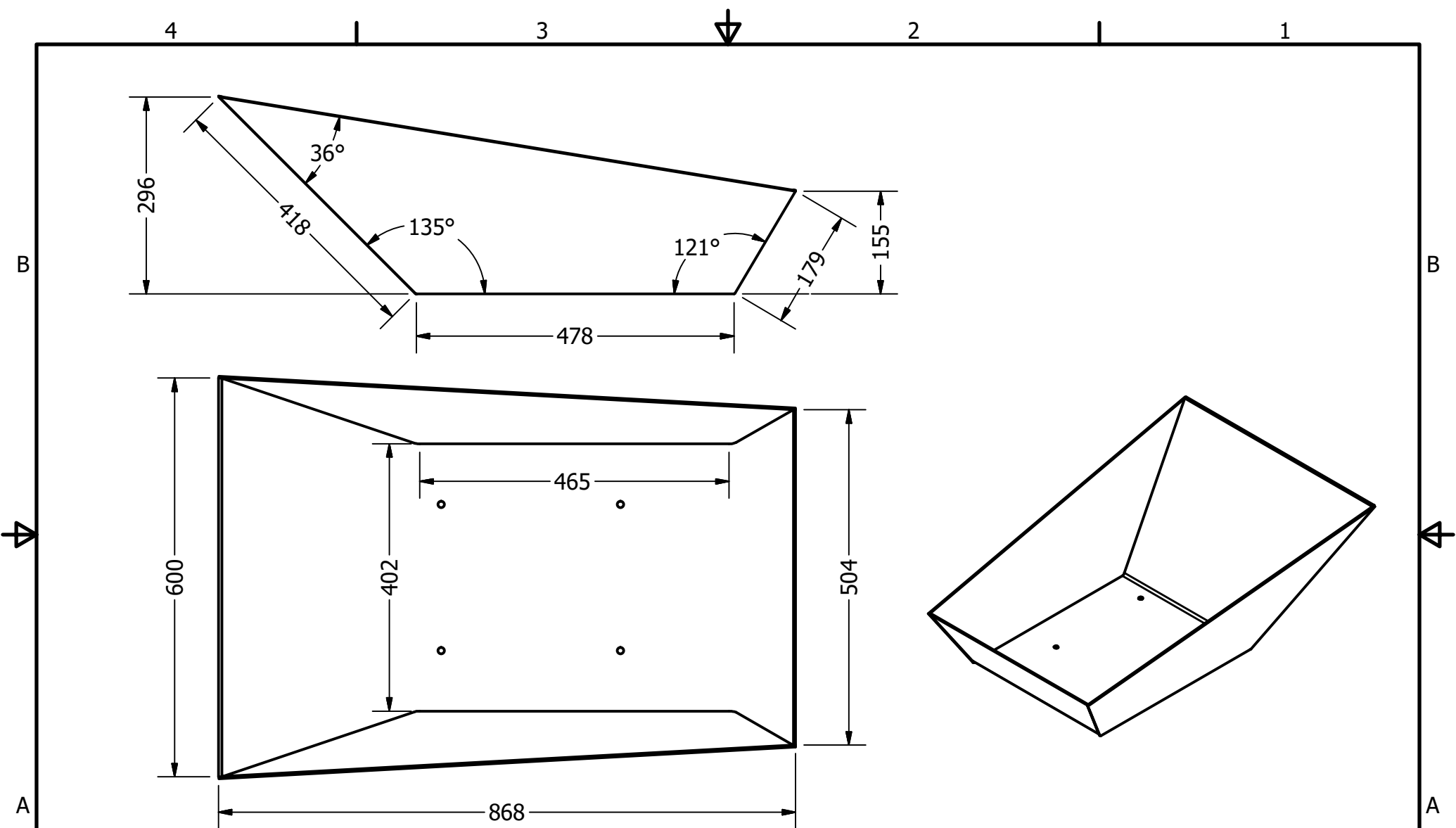
Project Wheel Barrow		Created by D. Mosquera	Approved by D. Jeager		
Part Name Axle-bearing-bracket		Part Code 2	Document Type Assmbly	Material	
Redesigned by  Open Source Ecology e.V. Knobelsdorffstr. 22 14059 Berlin www.ose-germany.de +49 (0) 30 / 92282426	Original drawing from Practical ACTION	License CERN-OHL	File Name oseg_wb_2_Axle-bearing-bracket.iam	Version 1.0	Quantity
			Scale 1:1	Sheet 12	Date 11.11.20




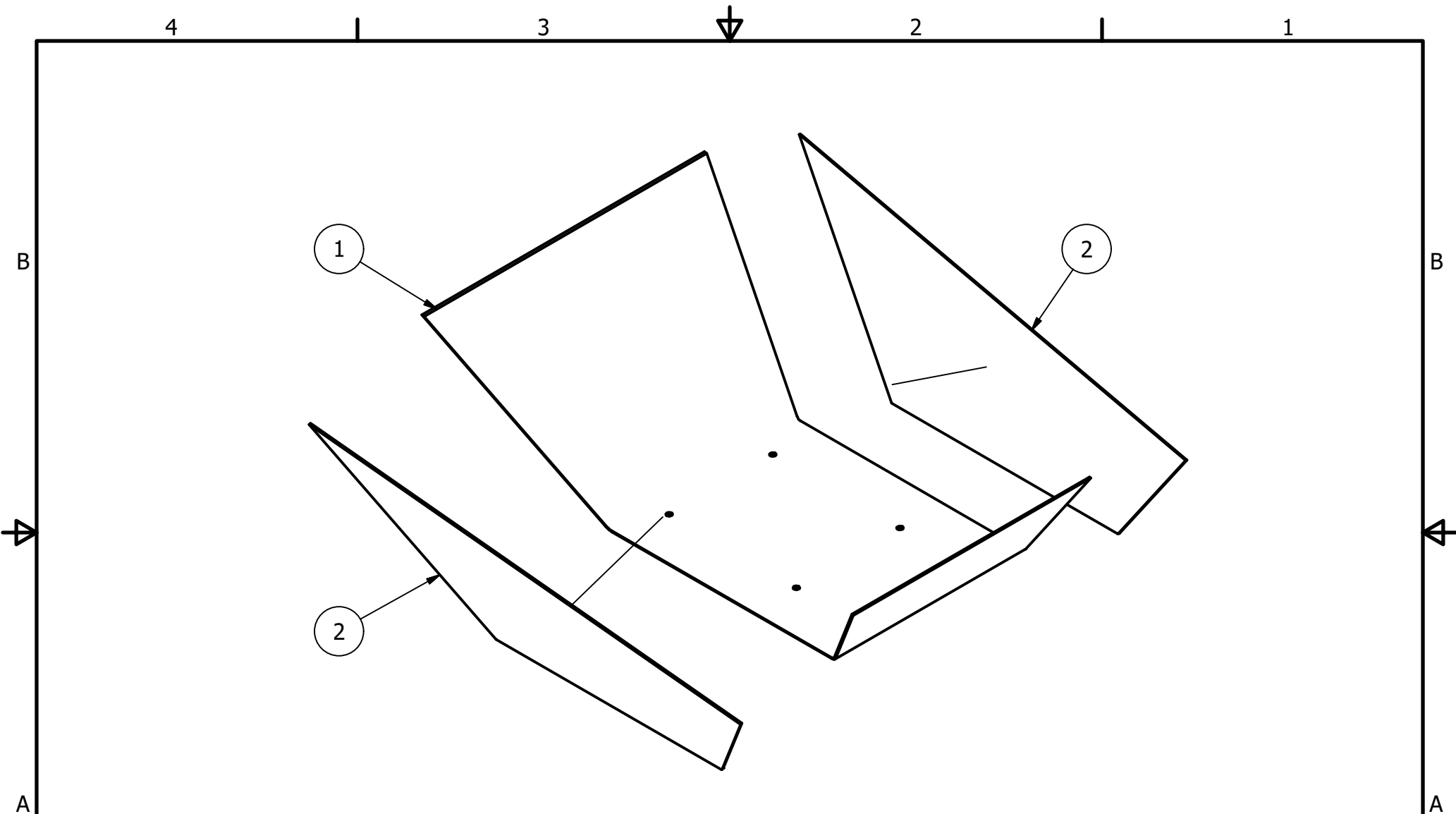
Project Wheel Barrow		Created by D. Mosquera	Approved by D. Jeager		
Part Name Bearing		Part Code 2.1	Document Type part	Material Iron, Gray	
Redesigned by  Open Source Ecology e.V. Knobelsdorffstr. 22 14059 Berlin www.ose-germany.de +49 (0) 30 / 92282426	Original drawing from Practical ACTION	License CERN-OHL	File Name oseg_wb_2.1_bearing.ipt	Version 1.0	Quantity
			Scale 1:1	Sheet 14	Date 11.11.20




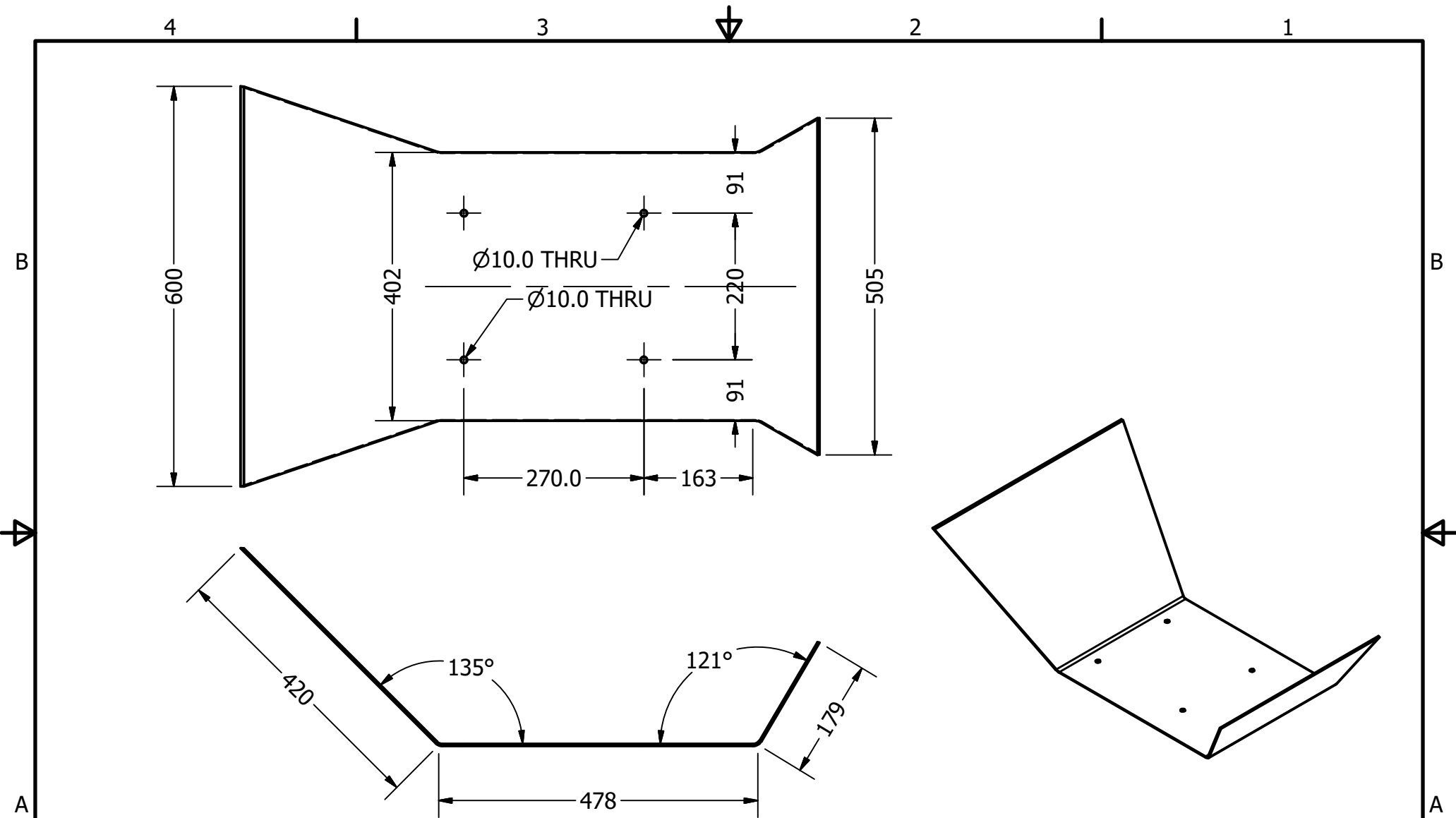
Project Wheel Barrow		Created by D. Mosquera		Approved by D. Jeager	
Part Name Brackets		Part Code 2.2		Document Type part	
Redesigned by  Open Source Ecology e.V. Knobelsdorffstr. 22 14059 Berlin www.ose-germany.de +49 (0) 30 / 92282426		Original drawing from Practical ACTION		License CERN-OHL	
		File Name oseg_wb_2.2_brackets.ipt		Version 1.0	
		Scale 1:1		Quantity 15	
				Date 11.11.20	





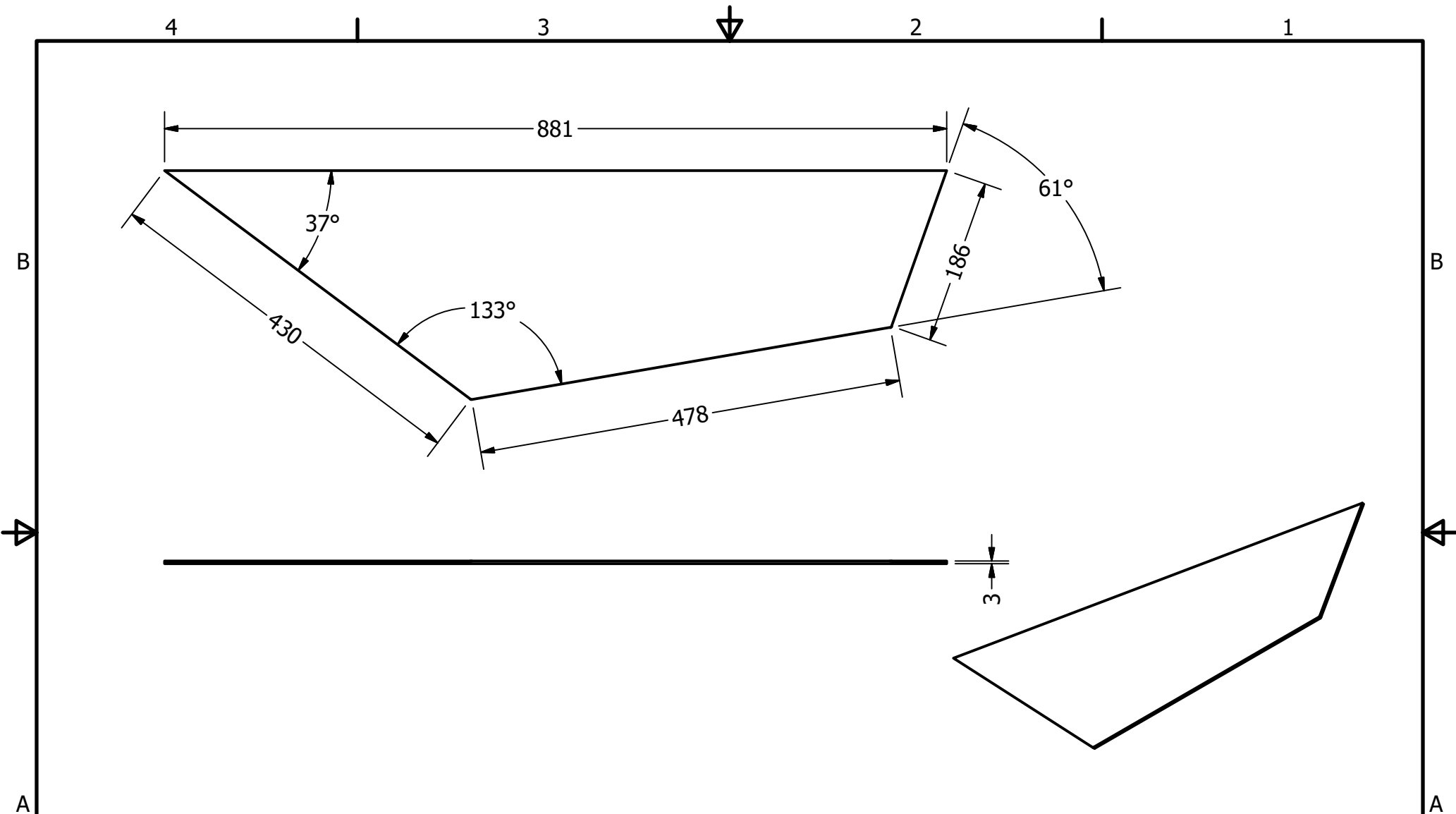
Project Wheel Barrow		Created by D. Mosquera		Approved by D. Jeager	
Part Name Hopper		Part Code 3		Document Type Assamby	
Redesigned by  Open Source Ecology e.V. Knobelsdorffstr. 22 14059 Berlin www.ose-germany.de +49 (0) 30 / 92282426	Original drawing from Practical ACTION	License CERN-OHL		File Name oseg_wb_3_hopper.iam	
		Scale 1:8		Version 1.0	
				Sheet 16	
				Date 11.11.20	




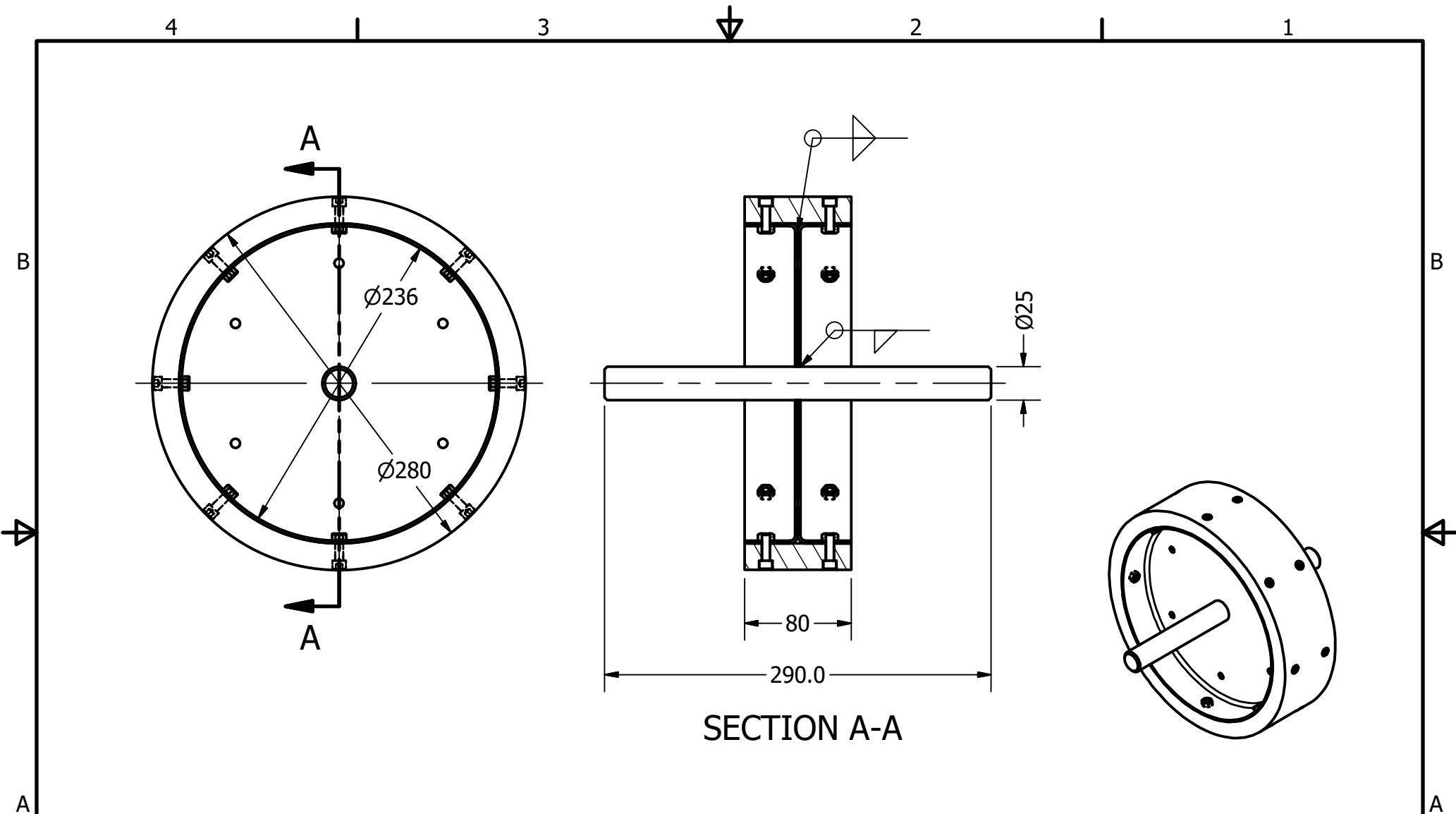
Project Wheel Barrow		Created by D. Mosquera	Approved by D. Jeager		
Part Name Hopper		Part Code 3	Document Type Assambly	Material	
Redesigned by  Open Source Ecology e.V. Knobelsdorffstr. 22 14059 Berlin www.ose-germany.de +49 (0) 30 / 92282426	Original drawing from Practical ACTION	License CERN-OHL	File Name oseg_wb_3_hopper.ipn	Version 1.0	Quantity
			Scale 1:8	Sheet 17	Date 11.11.20





Project Wheel Barrow		Created by D. Mosquera	Approved by D. Jeager		
Part Name Hopper-sheet		Part Code 3.1	Document Type part	Material Steel, Mild	
Redesigned by  Open Source Ecology e.V. Knobelsdorffstr. 22 14059 Berlin www.ose-germany.de +49 (0) 30 / 92282426 <small>OPEN SOURCE ECOLOGY GERMANY</small>	Original drawing from 	Licence CERN-OHL	File Name oseg_wb_3.1_hopper-sheet.ipt	Version 1.0	Quantity
			Scale 1:8	Sheet 18	Date 11.11.20

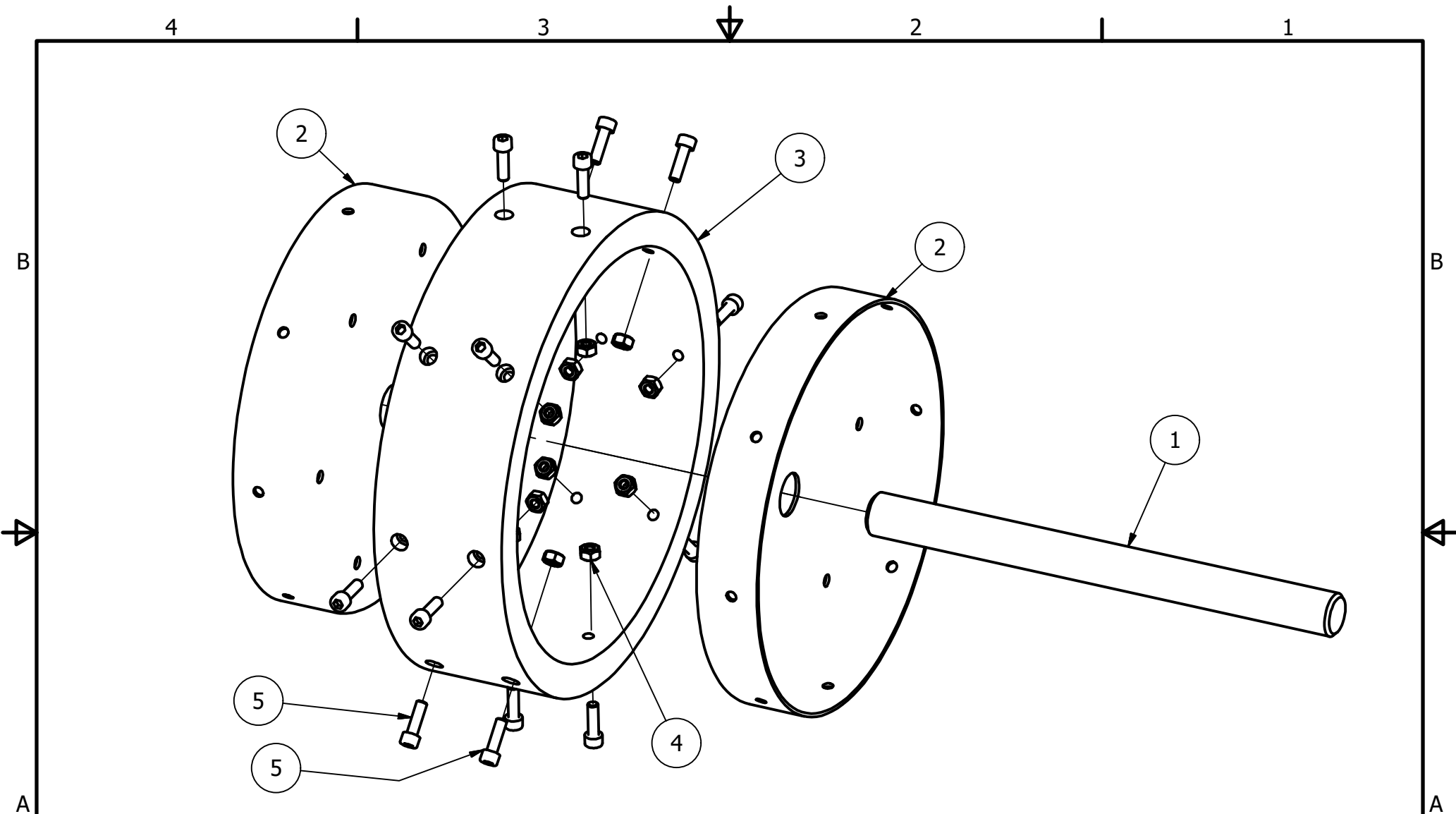



Project Wheel Barrow		Created by D. Mosquera		Approved by D. Jeager	
Part Name Hopper-side		Part Code 3.2		Document Type part	
Redesigned by  Open Source Ecology e.V. Knobelsdorffstr. 22 14059 Berlin www.ose-germany.de +49 (0) 30 / 92282426		Original drawing from Practical ACTION		License CERN-OHL	
		File Name oseg_wb_3.2_hopper-side.ipt		Version 1.0	
		Scale 1:6		Quantity 19	
				Date 11.11.20	

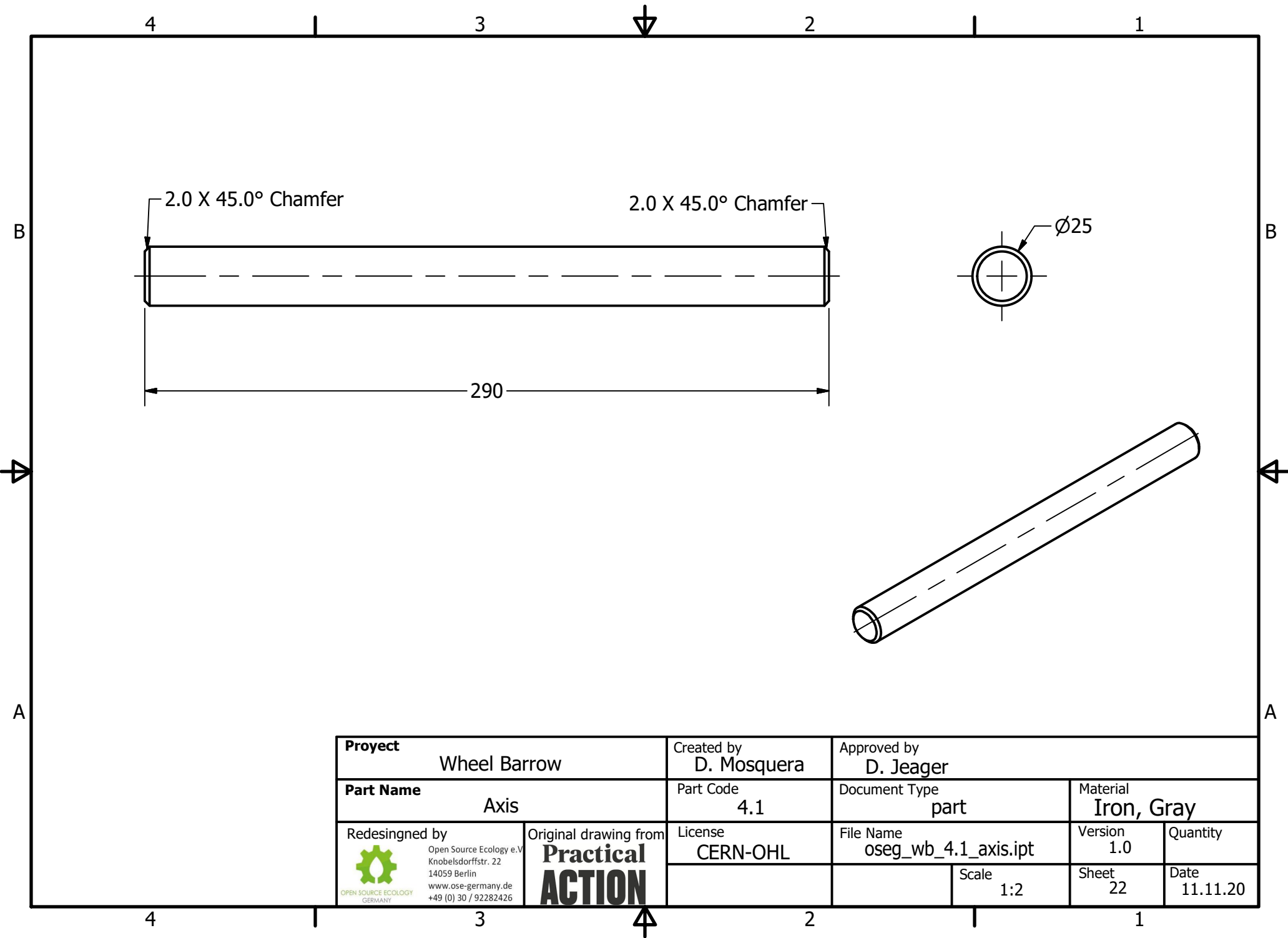



SECTION A-A

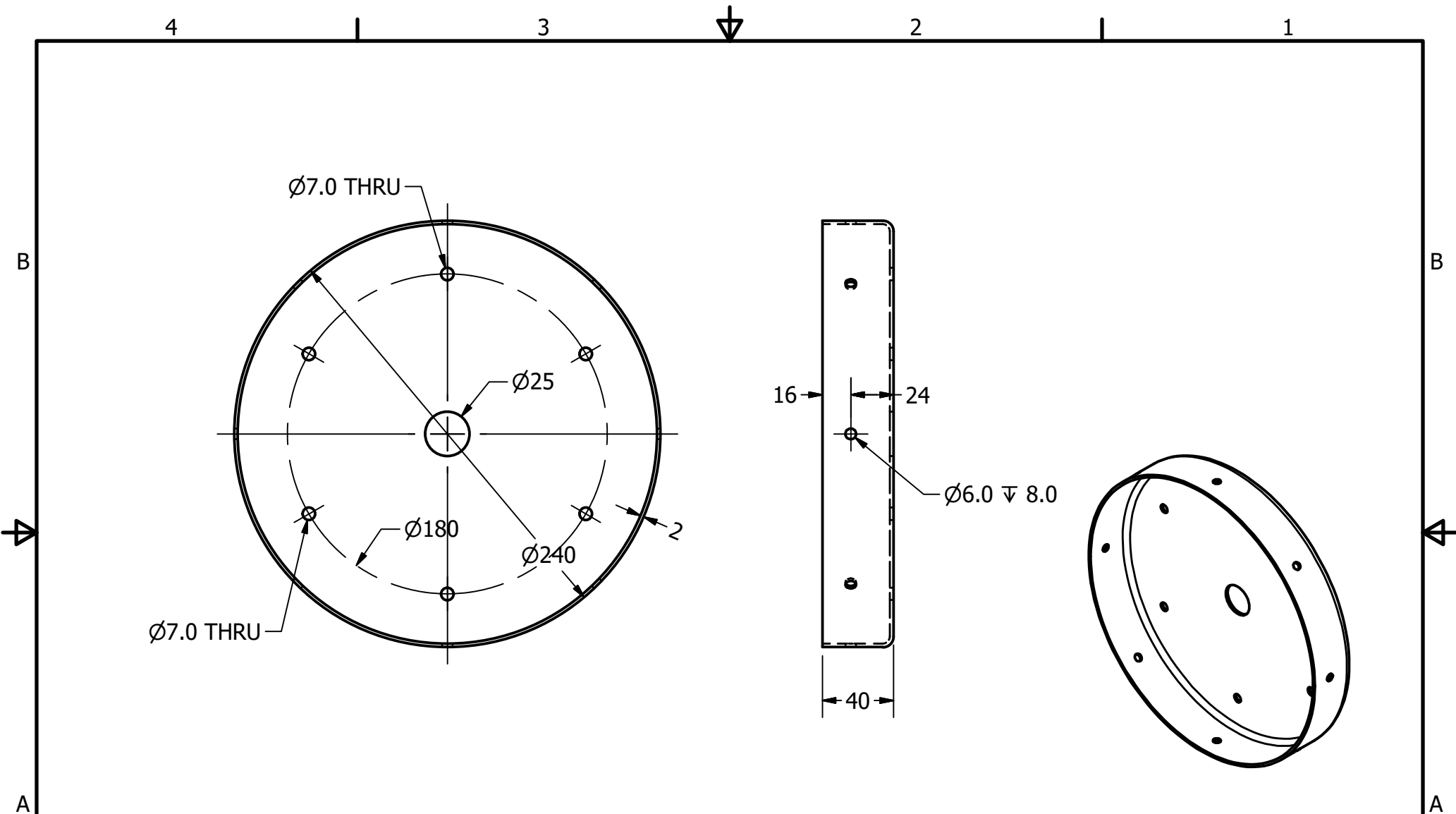
Project Wheel Barrow		Created by D. Mosquera		Approved by D. Jeager		
Part Name Wheel		Part Code 4		Document Type Assembly		Material
Redesigned by  Open Source Ecology e.V. Knobelsdorffstr. 22 14059 Berlin www.ose-germany.de +49 (0) 30 / 92282426	Original drawing from 	License CERN-OHL		File Name oseg_wb_4_Wheel.iam		Version 1.0
				Scale 1:4		Sheet 20




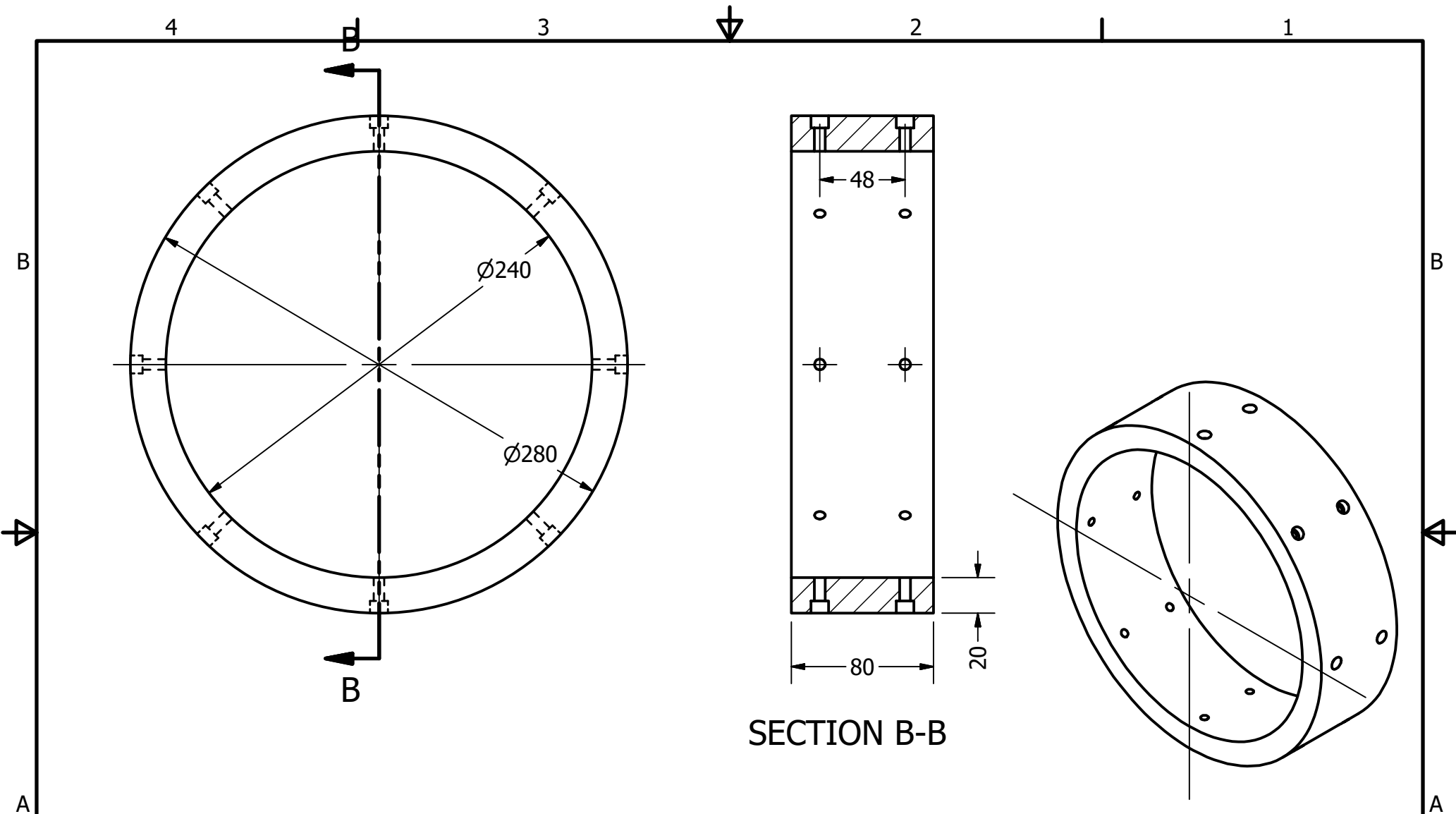
Project Wheel Barrow		Created by D. Mosquera		Approved by D. Jeager	
Part Name Wheel		Part Code 4		Document Type Assembly	
Redesigned by  Open Source Ecology e.V. Knobelsdorffstr. 22 14059 Berlin www.ose-germany.de +49 (0) 30 / 92282426		Original drawing from Practical ACTION		License CERN-OHL	
		File Name oseg_wb_4_Wheel.iam		Version 1.0	
		Scale 1:4		Quantity 21	
				Date 11.11.20	




Project Wheel Barrow		Created by D. Mosquera	Approved by D. Jeager		
Part Name Axis		Part Code 4.1	Document Type part	Material Iron, Gray	
Redesigned by  Open Source Ecology e.V. Knobelsdorffstr. 22 14059 Berlin www.ose-germany.de +49 (0) 30 / 92282426	Original drawing from Practical ACTION	License CERN-OHL	File Name oseg_wb_4.1_axis.ipt	Version 1.0	Quantity
			Scale 1:2	Sheet 22	Date 11.11.20



Project Wheel Barrow		Created by D. Mosquera	Approved by D. Jeager		
Part Name Wheel-armature		Part Code 4.2	Document Type part	Material Iron, Gray	
Redesigned by  Open Source Ecology e.V. Knobelsdorffstr. 22 14059 Berlin www.ose-germany.de +49 (0) 30 / 92282426	Original drawing from Practical ACTION	License CERN-OHL	File Name oseg_wb_4.2_wheel-armature.ipt	Version 1.0	Quantity
			Scale 1:2	Sheet 23	Date 11.11.20



Project Wheel Barrow		Created by D. Mosquera		Approved by D. Jeager	
Part Name Strip-of-tyre		Part Code 4.3		Document Type part	
Redesigned by  Open Source Ecology e.V. Knobelsdorffstr. 22 14059 Berlin www.ose-germany.de +49 (0) 30 / 92282426		Original drawing from Practical ACTION		License CERN-OHL	
		File Name oseg_wb_4.3_strip-of-tyre.ipt		Version 1.0	
		Scale 1:3		Quantity 1	
				Sheet 24	
				Date 11.11.20	