
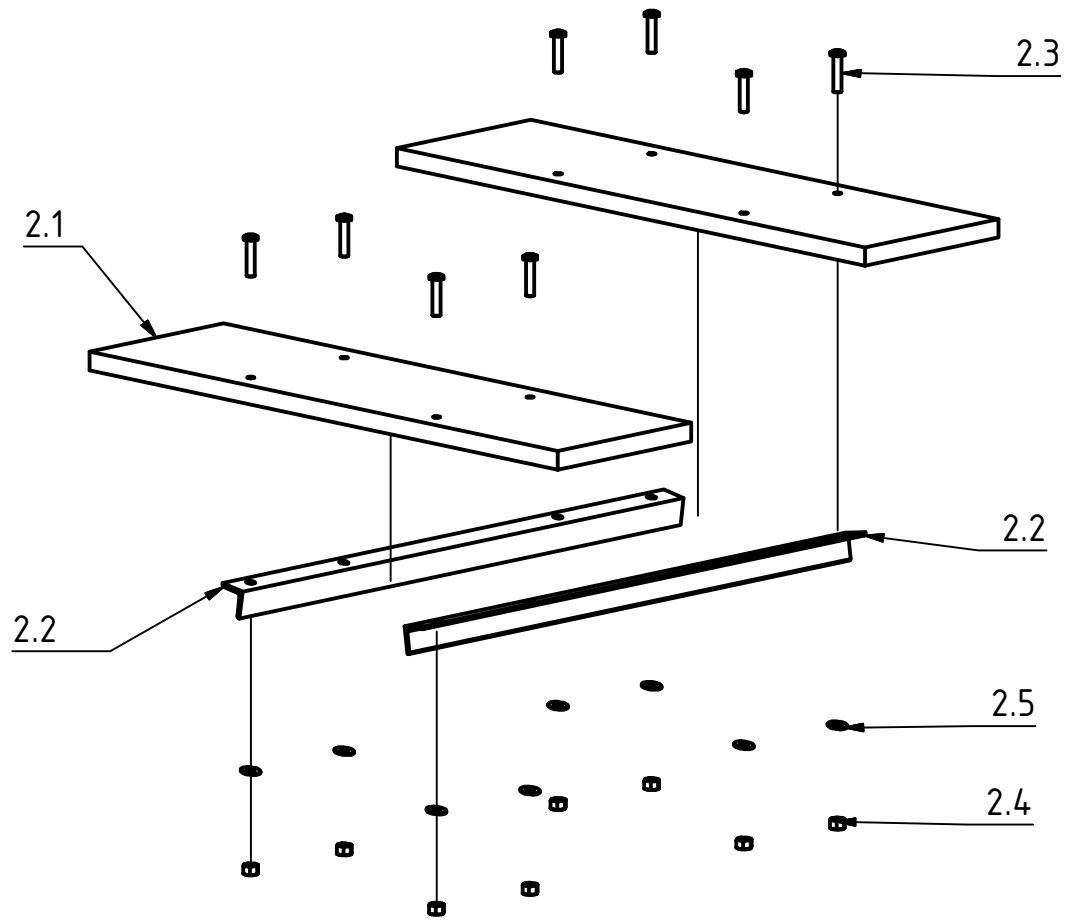



PROJECT	CREATED BY	APPROVED BY	DATE	VERSION
Mast for Wind Turbine	D. Mosquera	A. Morillo	22/06/2021	1.0
PART NAME	FILE NAME			POS
Platform	wot_mwt_plataform.iam			2.0
DEVELOPED BY	REDESIGNED BY	DOC. TYPE	MATERIAL	QUANTITY
WOT	 <small>OPEN SOURCE ECOLOGY GERMANY</small>	Assembly		1
		LICENCE	SCALE	SHEET
		CC-BY-SA 4.0	1:8	16 /23



PROJECT	CREATED BY	APPROVED BY	DATE	VERSION
Mast for Wind Turbine	D. Mosquera	A. Morillo	22/06/2021	1.0
PART NAME	FILE NAME			POS
Plataform	wot_mwt_plataform.ipn			2.0
DEVELOPED BY	REDESIGNED BY	DOC. TYPE	MATERIAL	QUANTITY
	 <small>OPEN SOURCE ECOLOGY GERMANY</small>	Assembly		1
WOT		OSEG	LICENCE	SCALE
		CC-BY-SA 4.0	1:8	17 /23