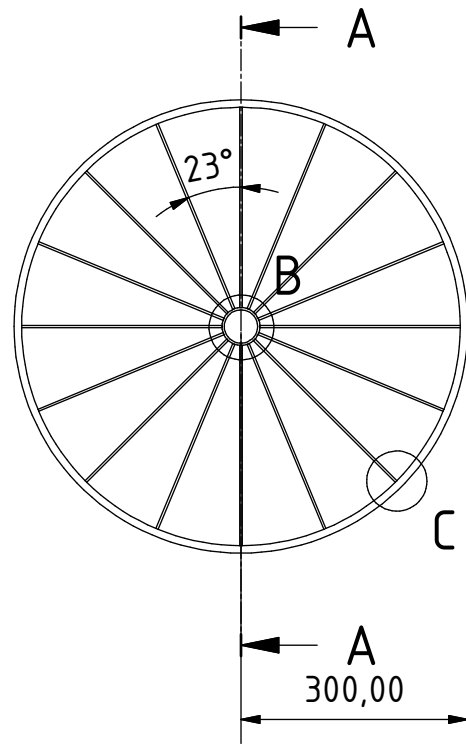
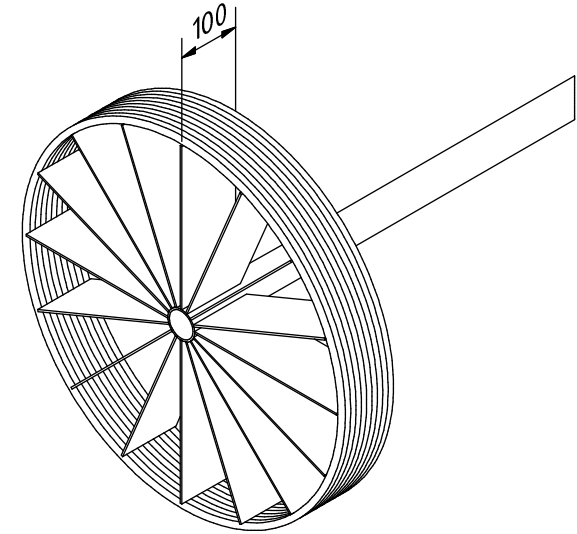
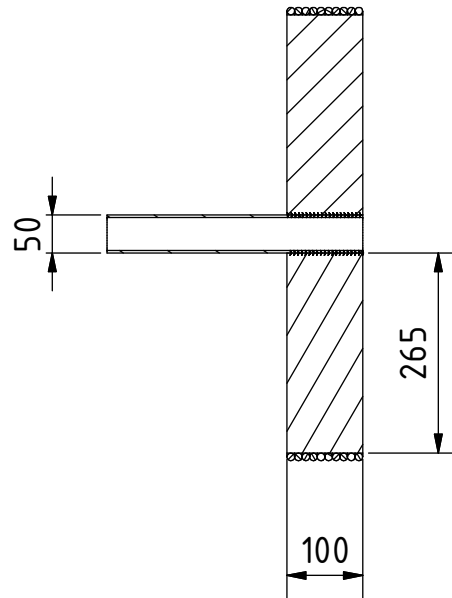


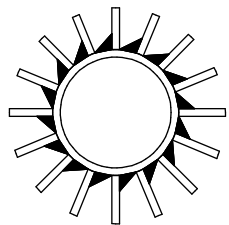
# ELEVATION ( 1 : 10 )



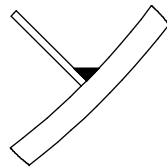
## A-A ( 1 : 10 )



## B ( 1 : 3 )



## C ( 1 : 3 )



Note: All units in mm.

PROJECT Steel Wire Rim Wheel for Donkey Carts		CREATED BY J. Zeron	APPROVED BY A. Morillo	DATE 31/07/2021	VERSION 1.0
PART NAME		FILE NAME uwd_wdc_steel-wire-rim-wheel-for-donkey-carts.iam			POS A1
3d views					QUANTITY 1
DEVELOPED BY		REDESIGNED BY	DOC. TYPE Assembly	MATERIAL	SHEET
University of Warwick, DTU		OHO e.V.	LICENCE CC-BY-SA 4.0	SCALE 1:10	1 / 4