
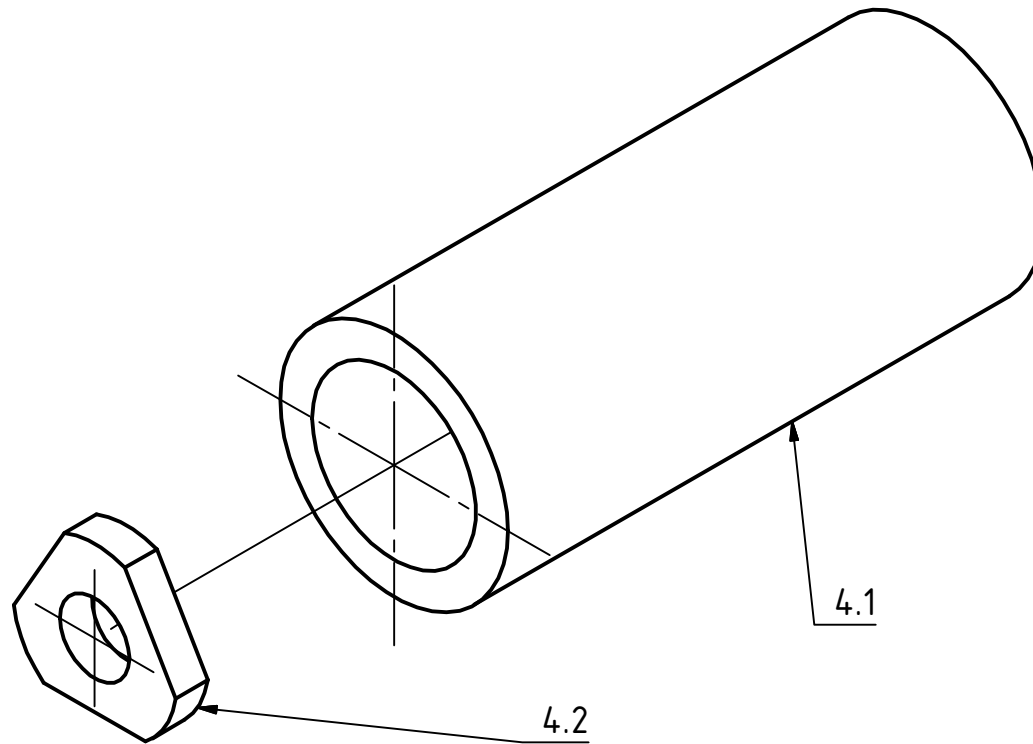



PROJECT	CREATED BY	APPROVED BY	DATE	VERSION
Welding gun multifuntional & diy	D. MOSQUERA	A. MORILLO	01/08/2021	1.0
PART NAME	FILE NAME			POS
Nozzle holder	oho_wg_nozzle-holder.iam			4.0
PUBLISHED BY	DOC. TYPE	MATERIAL	QUANTITY	
 <b>OPEN HARDWARE OBSERVATORY</b> Free Blueprints for Sustainable Development	Assembly		1	
	LICENCE	SCALE	SHEET	
OHO e.V.	CC-BY-SA 4.0	2:1	19 /22	



PROJECT	CREATED BY	APPROVED BY	DATE	VERSION
Welding gun multifunctional & diy	D. MOSQUERA	A. MORILLO	01/08/2021	1.0
PART NAME	FILE NAME			POS
Nozzle holder	oho_wg_nozzle-holder.ipn			4.0
PUBLISHED BY	DOC. TYPE	MATERIAL	QUANTITY	
 <b>OPEN HARDWARE OBSERVATORY</b> Free Blueprints for Sustainable Development OHO e.V.	Assembly		1	
	LICENCE	SCALE	SHEET	
	CC-BY-SA 4.0	2:1	20 /22	