
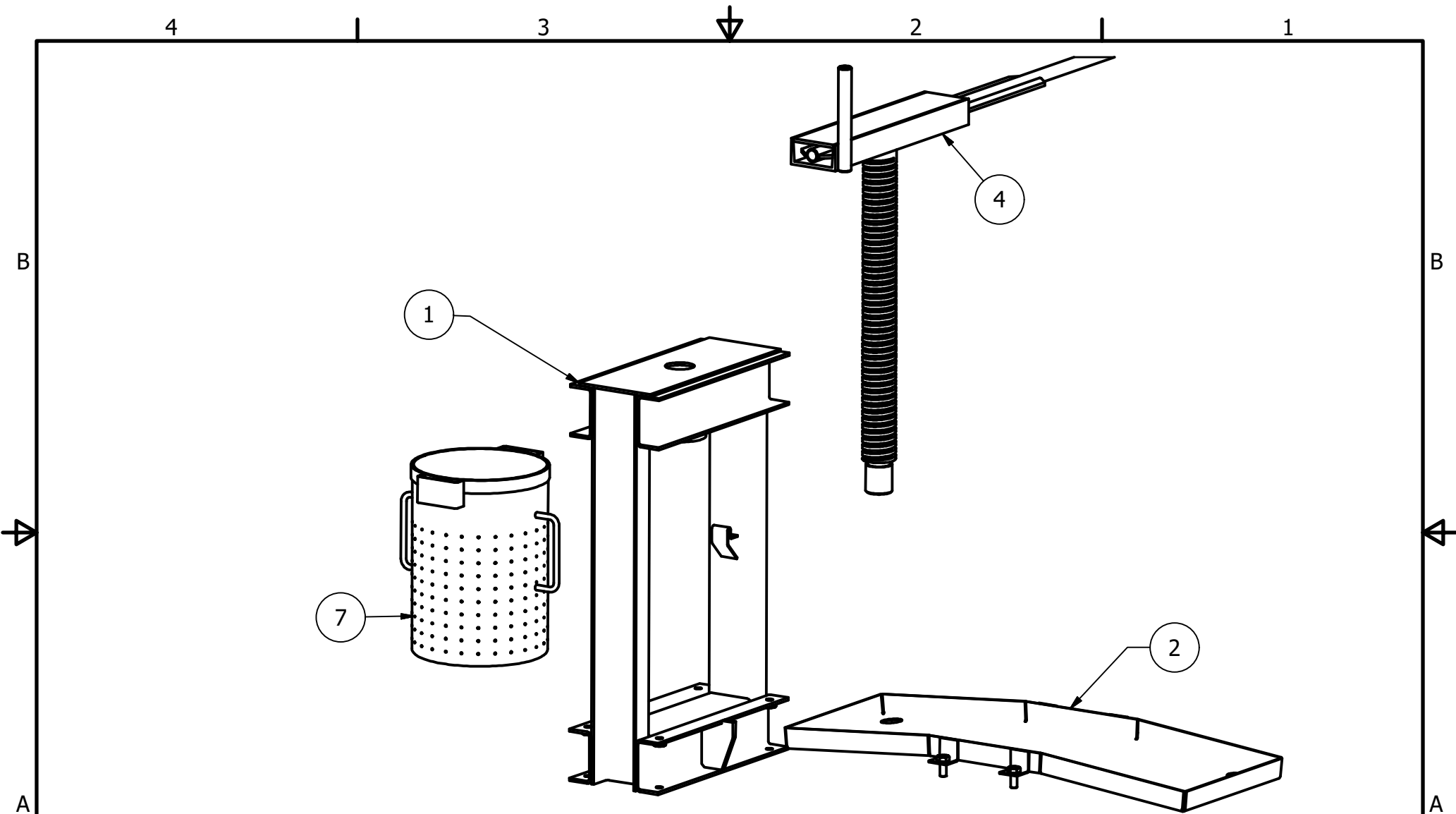



Project	SCREW PRESS	Created by D. Mosquera	Approved by D. Jeager		
Part Name	SCREW PRESS	Part Code	Document Type ASSEMBLY	Material	
 Open Source Ecology e.V. Knobelsdorffstr. 22 14059 Berlin www.ose-germany.de +49 (0) 30 / 92282426	License CERN-OHL	File Name oseg_sp_A_srew-press.iam	Version 1.0	Quantity	
		Scale 1:8	Sheet 1/30	Date 14.10.20	



Project	SCREW PRESS	Created by D. Mosquera	Approved by D. Jeager		
Part Name	SCREW PRESS	Part Code	Document Type ASSEMBLY	Material	
 <p>Open Source Ecology e.V Knobelsdorffstr. 22 14059 Berlin www.ose-germany.de +49 (0) 30 / 92282426</p>	License CERN-OHL	File Name oseg_sp_A_srew-press.ipn	Version 1.0	Quantity	
		Scale 1:10	Sheet 2/30	Date 14.10.20	