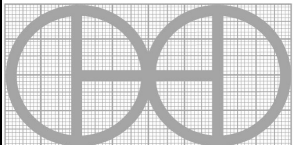
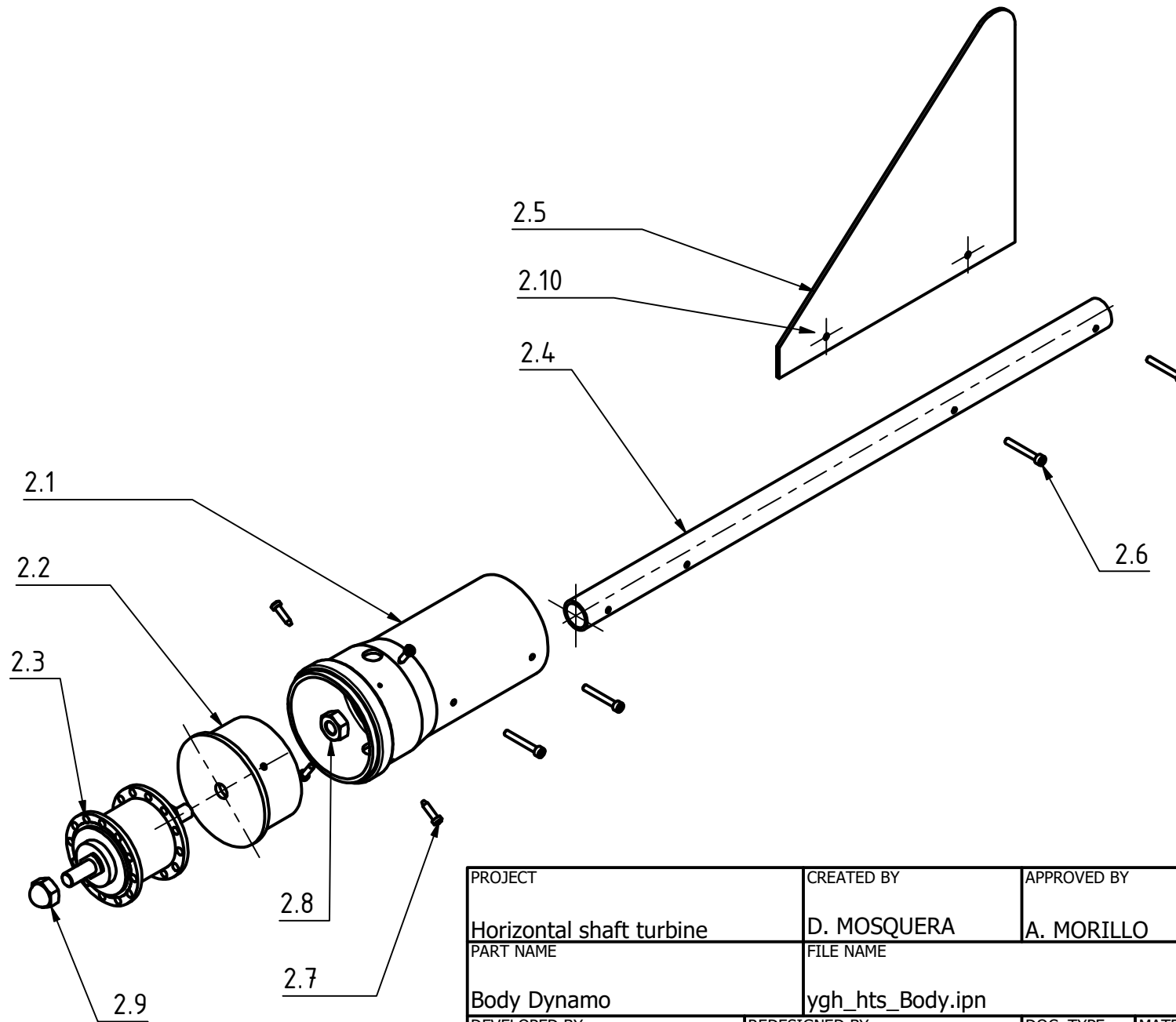
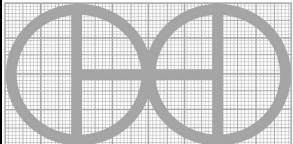


PROJECT	CREATED BY	APPROVED BY	DATE	VERSION
Horizontal shaft turbine	D. MOSQUERA	A. MORILLO	15/11/2021	1.0
PART NAME	FILE NAME			POS
Body	ygh_hts_Body.iam			2.0
DEVELOPED BY	REDESIGNED BY	DOC. TYPE	MATERIAL	QUANTITY
		Assembly		1
Original developer		LICENCE	SCALE	SHEET
		CC-BY-SA 4.0	1:10	11 /28

OHO e.V.



PROJECT	CREATED BY	APPROVED BY	DATE	VERSION
Horizontal shaft turbine	D. MOSQUERA	A. MORILLO	15/11/2021	1.0
PART NAME	FILE NAME			POS
Body Dynamo	ygh_hts_Body.ipn			2.0
DEVELOPED BY	REDESIGNED BY	DOC. TYPE	MATERIAL	QUANTITY
Original developer		OHO e.V. Assamble		1
		LICENCE	SCALE	SHEET
		CC-BY-SA 4.0	1:4	12 /28