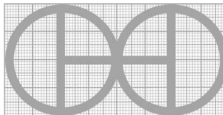
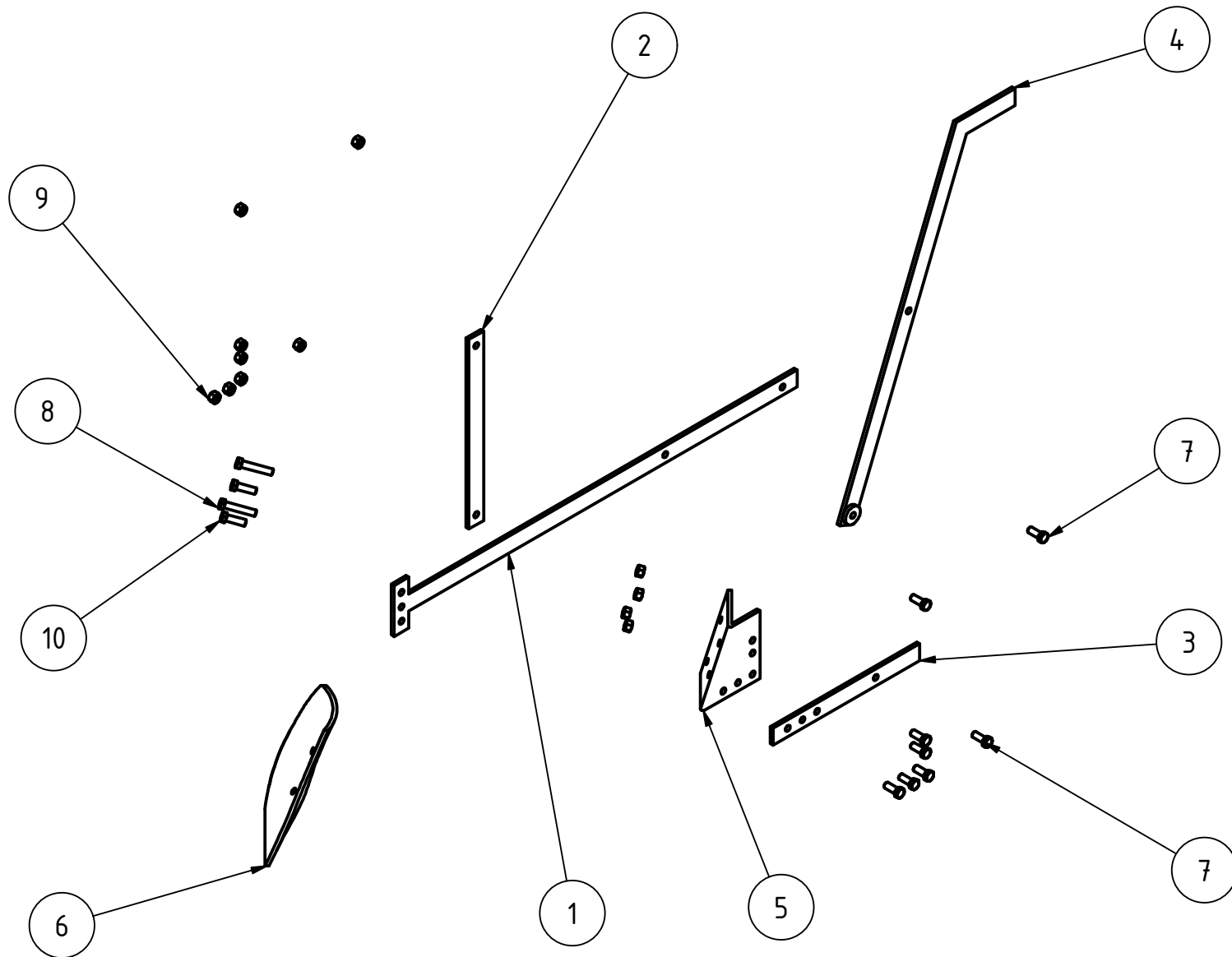
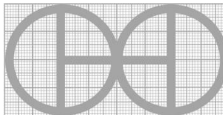
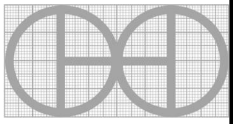


PROJECT		CREATED BY	APPROVED BY	DATE	VERSION
The Kebkabiyah Plough		E. CEBALLOS	A. MORILLO	24-05-2021	1.0
PART NAME		FILE NAME			PART CODE
kebkabiyah plough		pac_tkp_kebkabiyah-plough_1.01.iam			A1
DEVELOPED BY	REDESIGNED BY	SUPPORTED BY	DOC. TYPE	MATERIAL	QUANTITY
			ASSEMBLY		1
Practical Action	OHO e.V.		LICENCE	SCALE	SHEET
			CC-BY-SA 4.0	1:20	1 /10



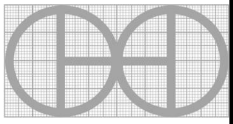
PROJECT		CREATED BY	APPROVED BY	DATE	VERSION
The Kebkabiyah Plough		E. CEBALLOS	A. MORILLO	24-05-2021	1.0
PART NAME		FILE NAME			PART CODE
Kebkabiyah Plough		pac_tkp_kebkabiyah-plough_1.01.ipn			A2
DEVELOPED BY	REDESIGNED BY	SUPPORTED BY	DOC. TYPE	MATERIAL	QUANTITY
			ASSEMBLY		1
Practical Action	OHO e.V.		LICENCE	SCALE	SHEET
			CC-BY-SA 4.0	1:15	2 /10

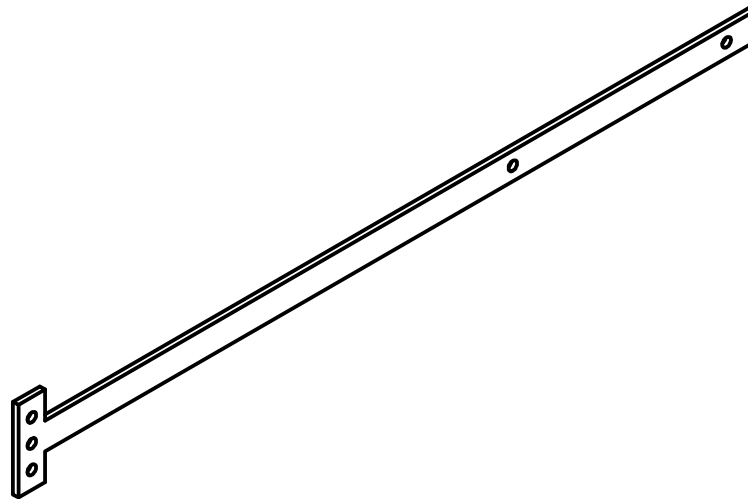
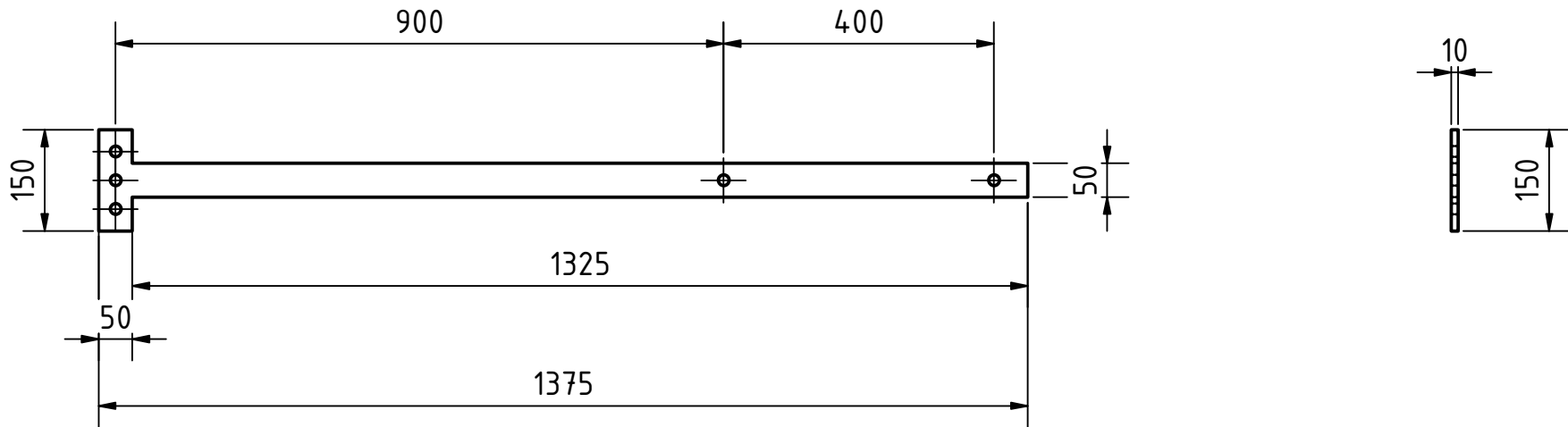
PART LIST							
POS	POS.OLD	QTY	PART NAME	FILE NAME	PART TYPE	SPECIFICATIONS	SHEET
A			The Kebkabiyah Plough	pac_tkp_kebkabiyah-plough_1.01.iam			1-2
B			Part List				3
C			Tech Notes				4
1		1	metal frame 1	frame 1.ipt	Production	STEEL ASTM 1045 / DIN C45	5
2		1	metal frame 2	frame 2.ipt	Production	STEEL ASTM 1045 / DIN C45	6
3		1	metal frame 3	frame 3.ipt	Production	STEEL ASTM 1045 / DIN C45	7
4		1	metal frame 4	frame 4.ipt	Production	STEEL ASTM 1045 / DIN C45	8
5		1	metal frame 5	frame 5.ipt	Production	STEEL ASTM 1045 / DIN C45	9
6		1	metal shovel	shovel.ipt	Production	STEEL AISI 1522	10
7		8	bolt M16x40		Standard	bolt AS 1110- M16x40	
8		2	bolt M16x80		Standard	bolt AS 1110- M16x80	
9		12	nut M16		Standard	nut AS 1112- M16 Tipo 5	
10		2	bolt M16x50		Standard	bolt AS 1110- M16x50	

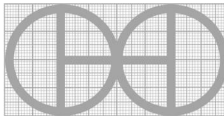
PROJECT		CREATED BY	APPROVED BY	DATE	VERSION
The Kebkabiyah Plough		E. CEBALLOS	A. MORILLO	24-05-2021	1.0
PART NAME		FILE NAME			PART CODE
PART LIST					B1
DEVELOPED BY	REDESIGNED BY	SUPPORTED BY	DOC. TYPE	MATERIAL	QUANTITY
			PART LIST		
Practical Action		OHO e.V.		LICENCE	SHEET
		CC-BY-SA 4.0		SCALE	3 / 10

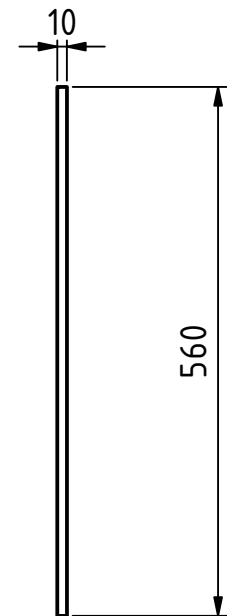
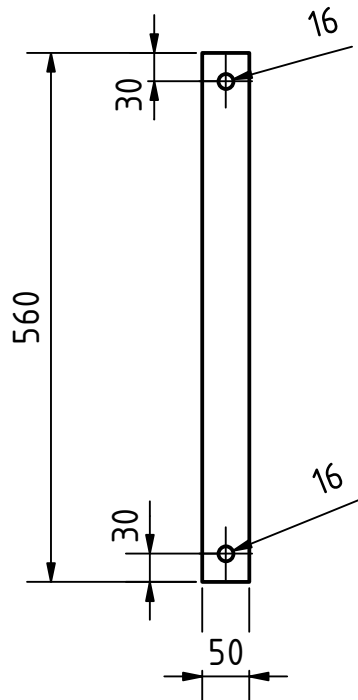
TECHNICAL NOTES

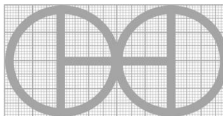
NOTES	CONTENT
GENERAL NOTES	
Manufacturing of the sholve	For the manufacture of the sholve, it is suggested to use die-cutting, punching, hot forging process with dies that give the shape of the sholve.
Equipment maintenance	For the maintenance of the equipment, it is suggested to clean the surfaces and paint to avoid corrosion of the metal parts.

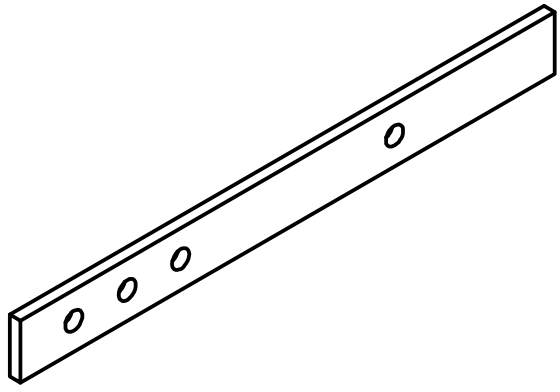
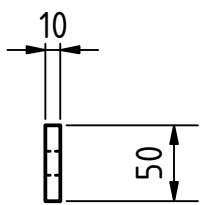
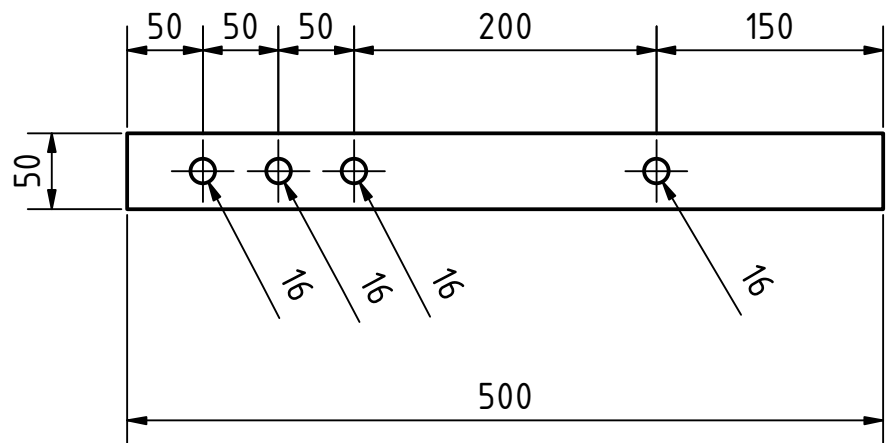
PROJECT		CREATED BY	APPROVED BY	DATE	VERSION
The Kebkabiyah Plough		E. CEBALLOS	A. MORILLO	24-05-2021	1.0
PART NAME		FILE NAME			PART CODE
TECH NOTES					C1
DEVELOPED BY	REDESIGNED BY	SUPPORTED BY	DOC. TYPE	MATERIAL	QUANTITY
			TECH NOTES		
Practical Action	OHO e.V.		LICENCE	SCALE	SHEET
			CC-BY-SA 4.0		4 /10

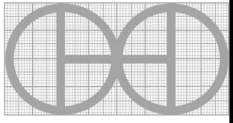


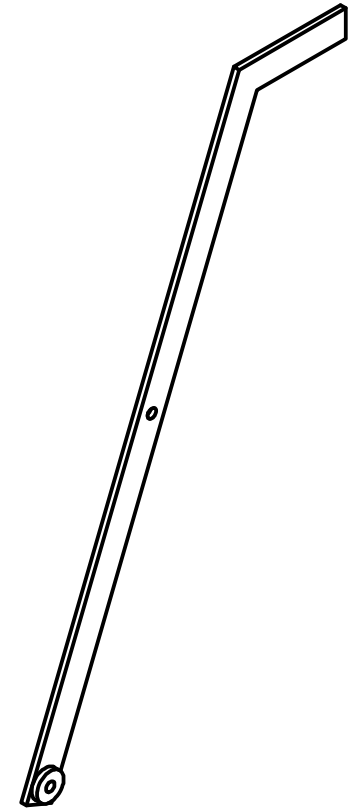
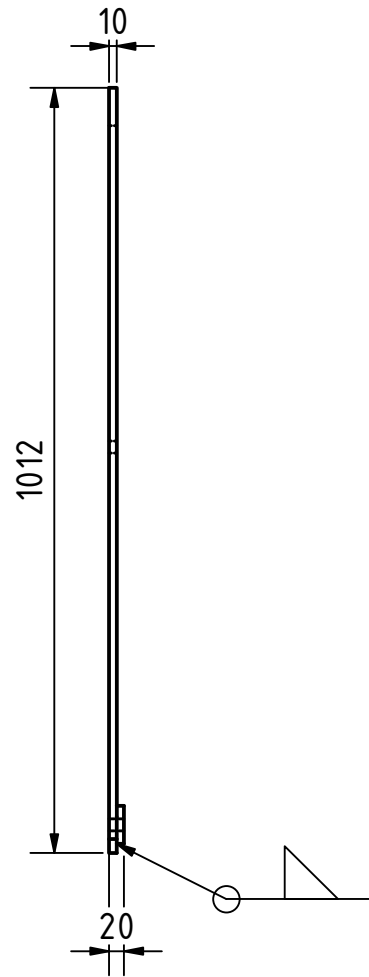
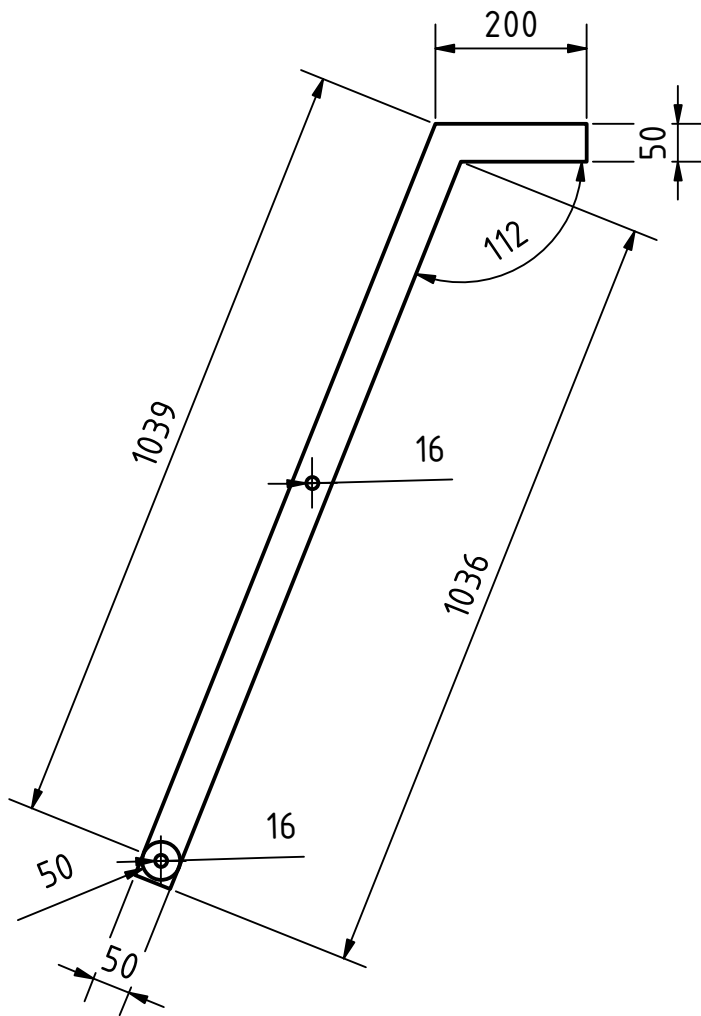
PROJECT		CREATED BY	APPROVED BY	DATE	VERSION
The Kebkabiyah Plough		E. CEBALLOS	A. MORILLO	24-05-2021	1.0
PART NAME		FILE NAME			PART CODE
metal frame 1		frame 1.ipt			1
DEVELOPED BY	REDESIGNED BY	SUPPORTED BY	DOC. TYPE	MATERIAL	QUANTITY
			PART	STEEL ASTM 1045 / DIN C45	1
Practical Action	OHO e.V.		LICENCE	SCALE	SHEET
			CC-BY-SA 4.0	1:10	5 /10

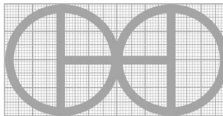


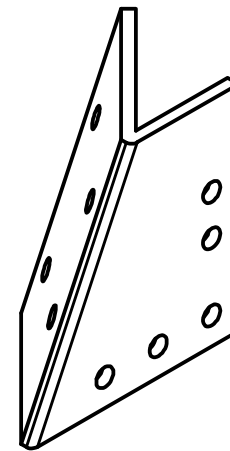
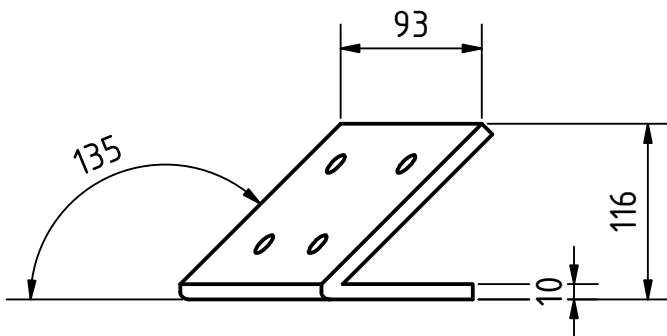
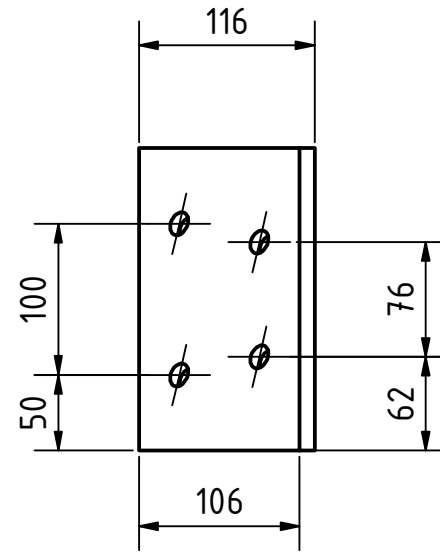
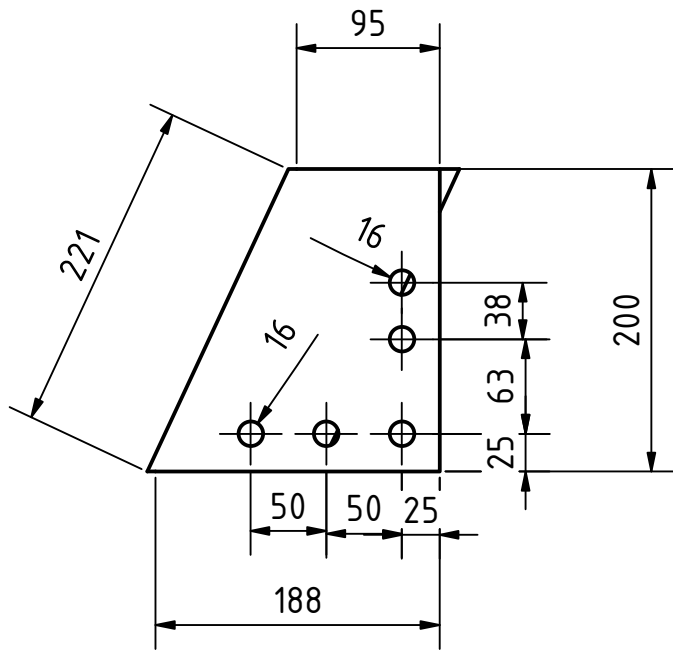
PROJECT		CREATED BY	APPROVED BY	DATE	VERSION
The Kebkabiyah Plough		E. CEBALLOS	A. MORILLO	24-05-2021	1.0
PART NAME		FILE NAME			PART CODE
metal frame 2		frame 2.ipt			2
DEVELOPED BY	REDESIGNED BY	SUPPORTED BY	DOC. TYPE	MATERIAL	QUANTITY
			PART	STEEL ASTM 1045 / DIN C45	1
Practical Action	OHO e.V.		LICENCE	SCALE	SHEET
			CC-BY-SA 4.0	1:8	6 /10

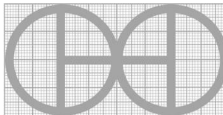


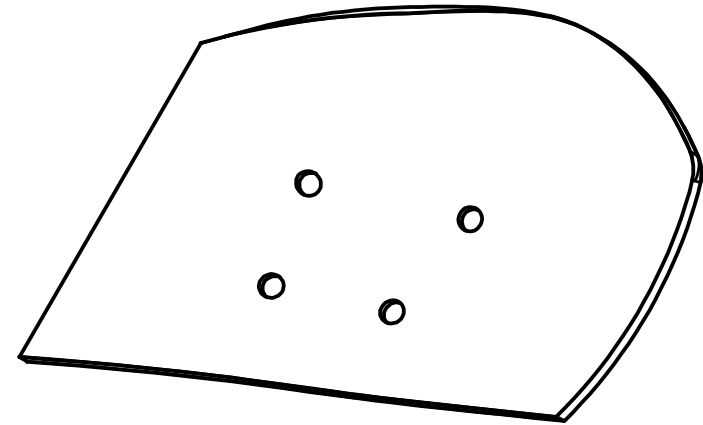
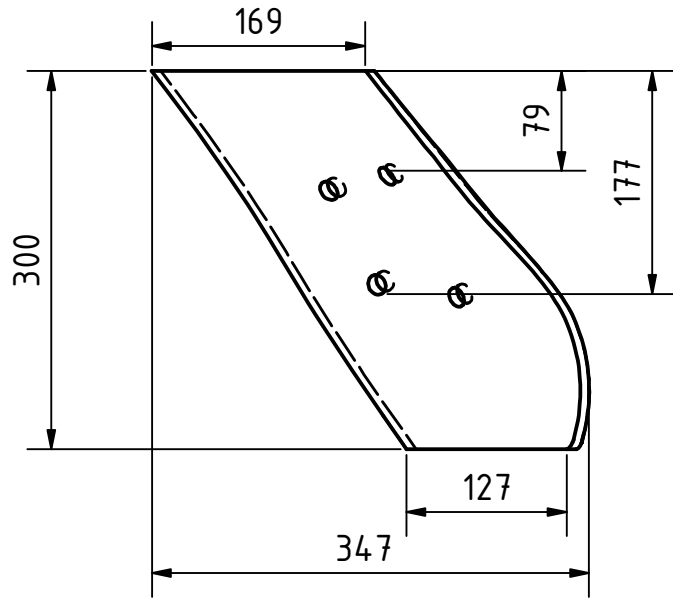
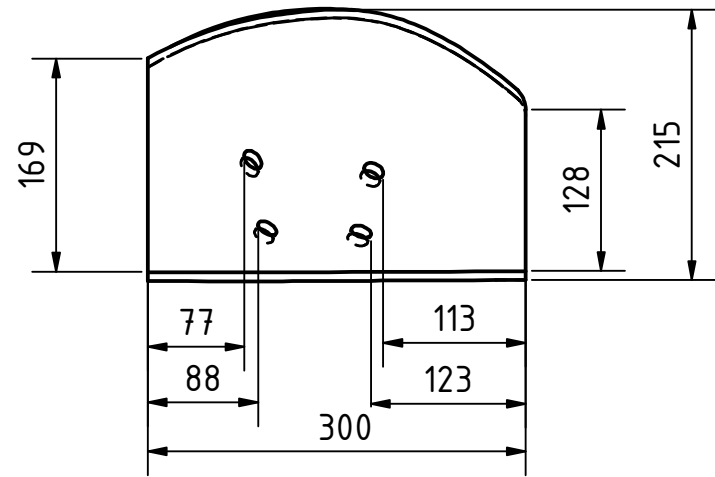
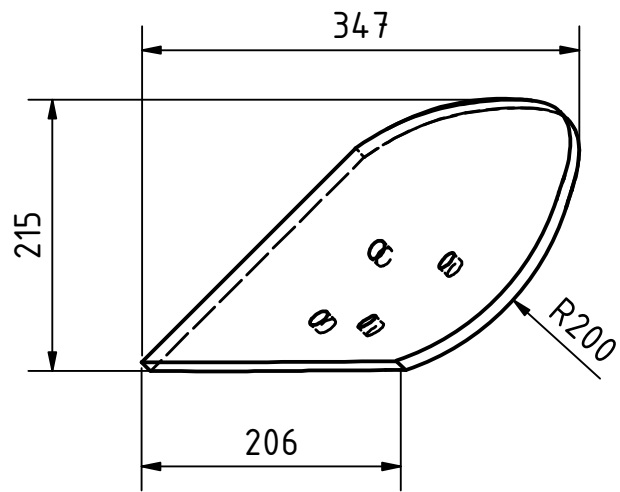
PROJECT		CREATED BY	APPROVED BY	DATE	VERSION
The Kebkabiyah Plough		E. CEBALLOS	A. MORILLO	24-05-2021	1.0
PART NAME		FILE NAME			PART CODE
metal frame 3		frame 3.ipt			3
DEVELOPED BY	REDESIGNED BY	SUPPORTED BY	DOC. TYPE	MATERIAL	QUANTITY
			PART	STEEL ASTM 1045 / DIN C45	1
Practical Action	OHO e.V.		LICENCE	SCALE	SHEET
			CC-BY-SA 4.0	1:5	7 /10

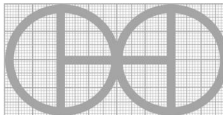


PROJECT		CREATED BY	APPROVED BY	DATE	VERSION
The Kebkabiyah Plough		E. CEBALLOS	A. MORILLO	24-05-2021	1.0
PART NAME		FILE NAME			PART CODE
metal frame 4		frame 4.ipt			4
DEVELOPED BY	REDESIGNED BY	SUPPORTED BY	DOC. TYPE	MATERIAL	QUANTITY
			PART	STEEL ASTM 1045 / DIN C45	1
Practical Action	OHO e.V.		LICENCE	SCALE	SHEET
			CC-BY-SA 4.0	1:10	8 /10



PROJECT		CREATED BY	APPROVED BY	DATE	VERSION
The Kebkabiyah Plough		E. CEBALLOS	A. MORILLO	24-05-2021	1.0
PART NAME		FILE NAME			PART CODE
metal frame 5		frame 5.ipt			5
DEVELOPED BY	REDESIGNED BY	SUPPORTED BY	DOC. TYPE	MATERIAL	QUANTITY
			PART	STEEL ASTM 1045 / DIN C45	1
Practical Action	OHO e.V.		LICENCE	SCALE	SHEET
			CC-BY-SA 4.0	1:5	9 /10



PROJECT		CREATED BY	APPROVED BY	DATE	VERSION
The Kebkabiyah Plough		E. CEBALLOS	A. MORILLO	24-05-2021	1.0
PART NAME		FILE NAME			PART CODE
metal shovel		shovel.ipt			6
DEVELOPED BY	REDESIGNED BY	SUPPORTED BY	DOC. TYPE	MATERIAL	QUANTITY
			PART	STEEL, AISI 1522	1
Practical Action	OHO e.V.		LICENCE	SCALE	SHEET
			CC-BY-SA 4.0	1:6	10 /10