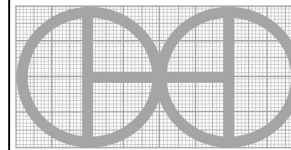
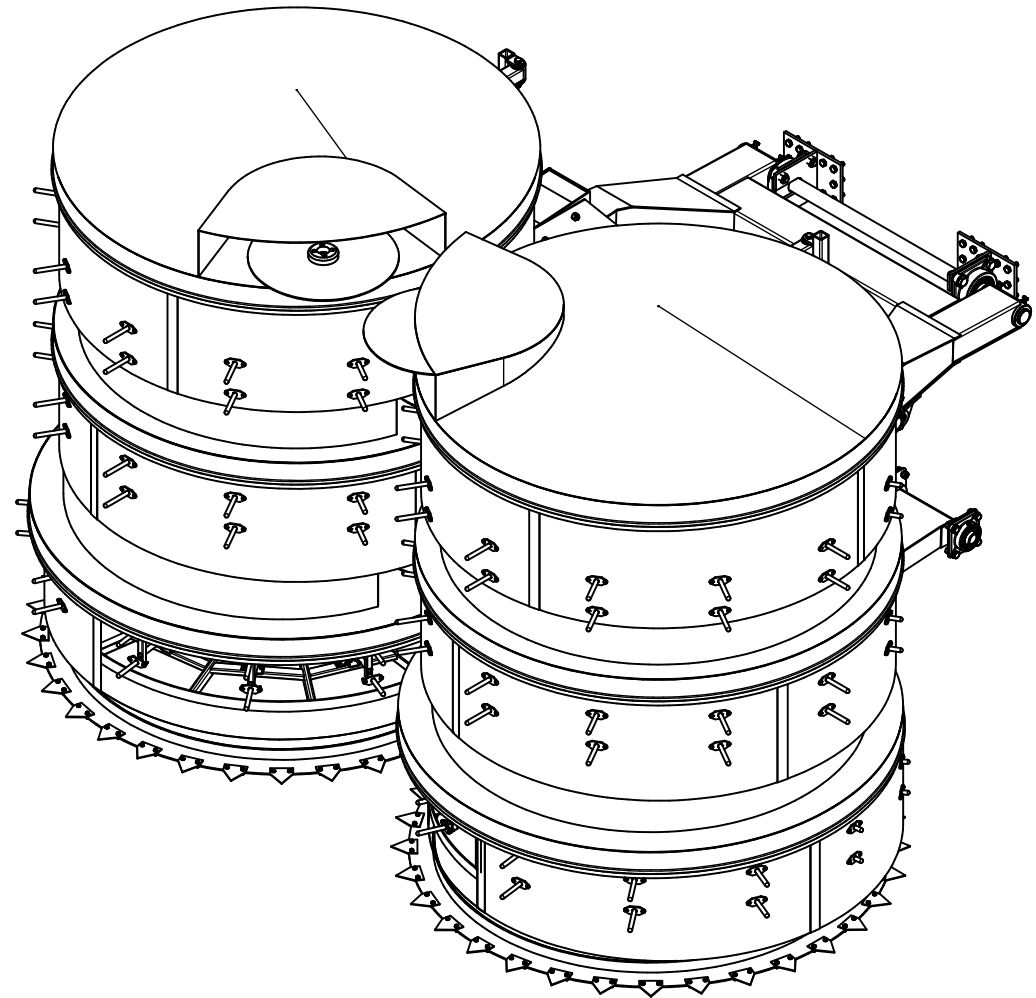
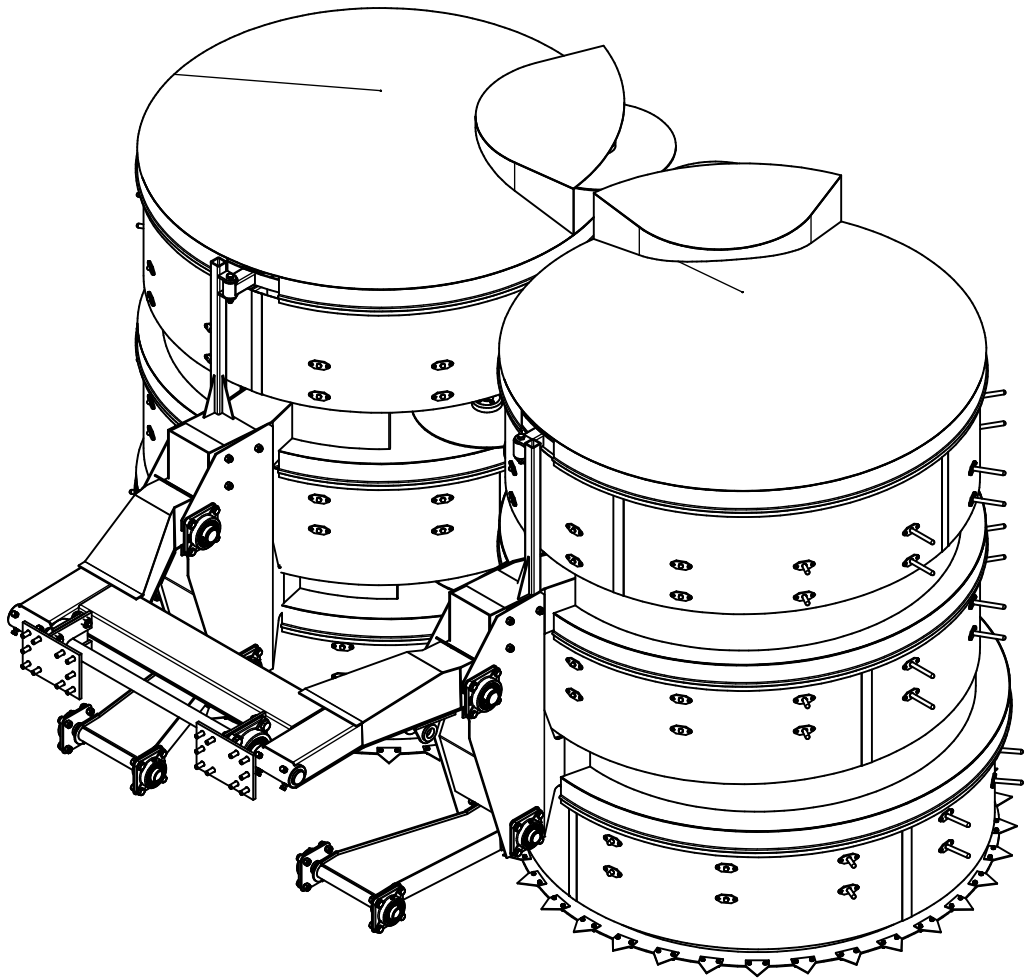
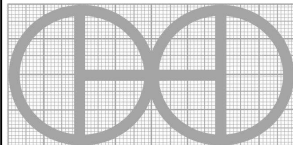


PROJECT	CREATED BY	APPROVED BY	DATE	VERSION
Vertical Drum Hemp Harvester	A. Morillo	D. Jaeger	22-05-2024	0.06
PART NAME	SPECIFICACIONES			CODE
3D views				A1
DEVELOPED BY	REDESIGNED BY	FILENAME	QTY	
		Vertical Drum Hemp Harvester.iam	1	
		LICENSE	DOC. TYPE	SCALE SHEET
Hanfasser		CC-BY-SA 4.0	Assembly	1 : 30 1 / 215

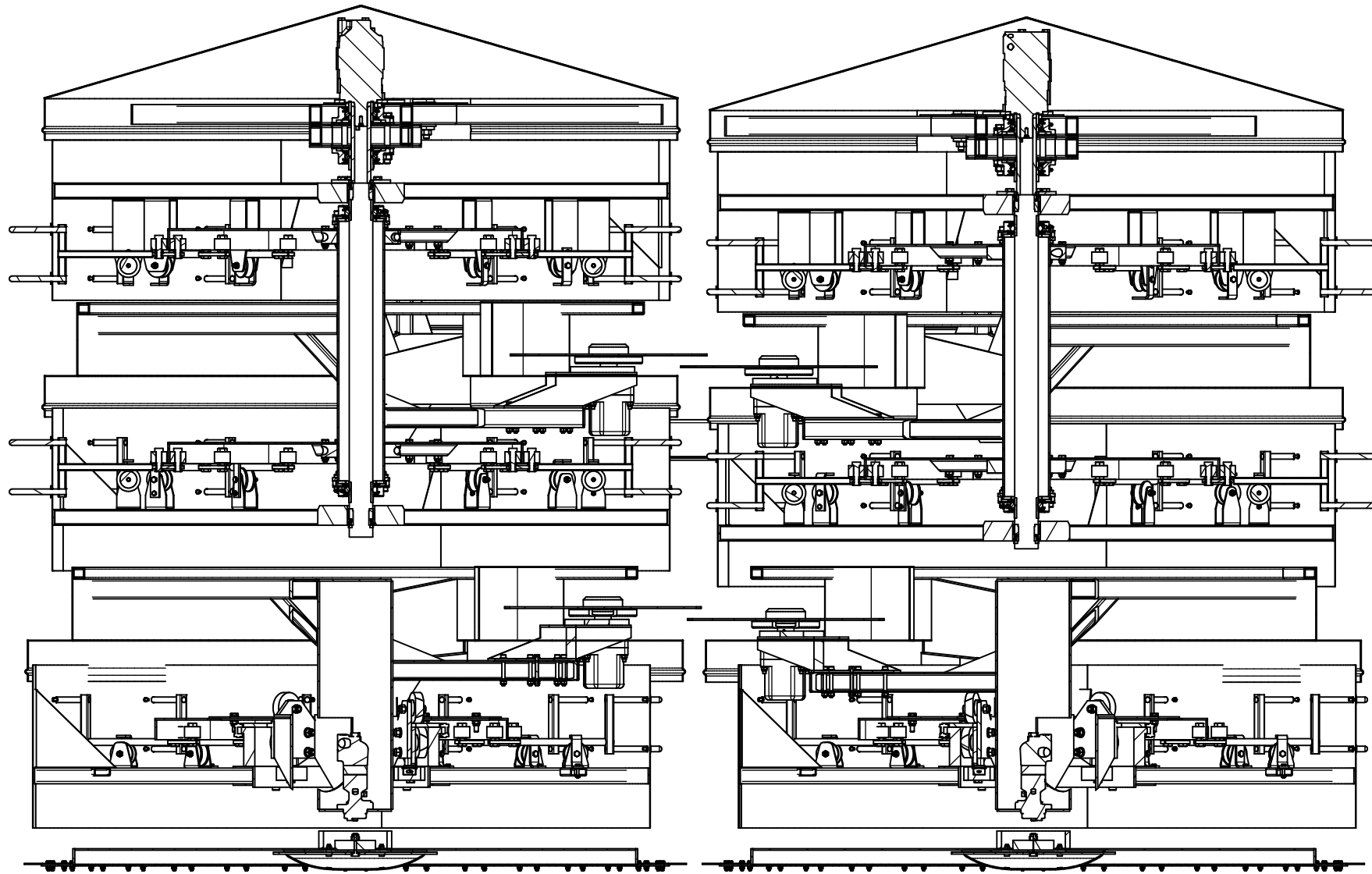


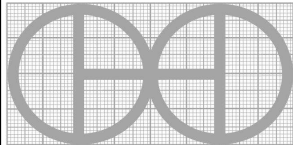
OHO e.V.

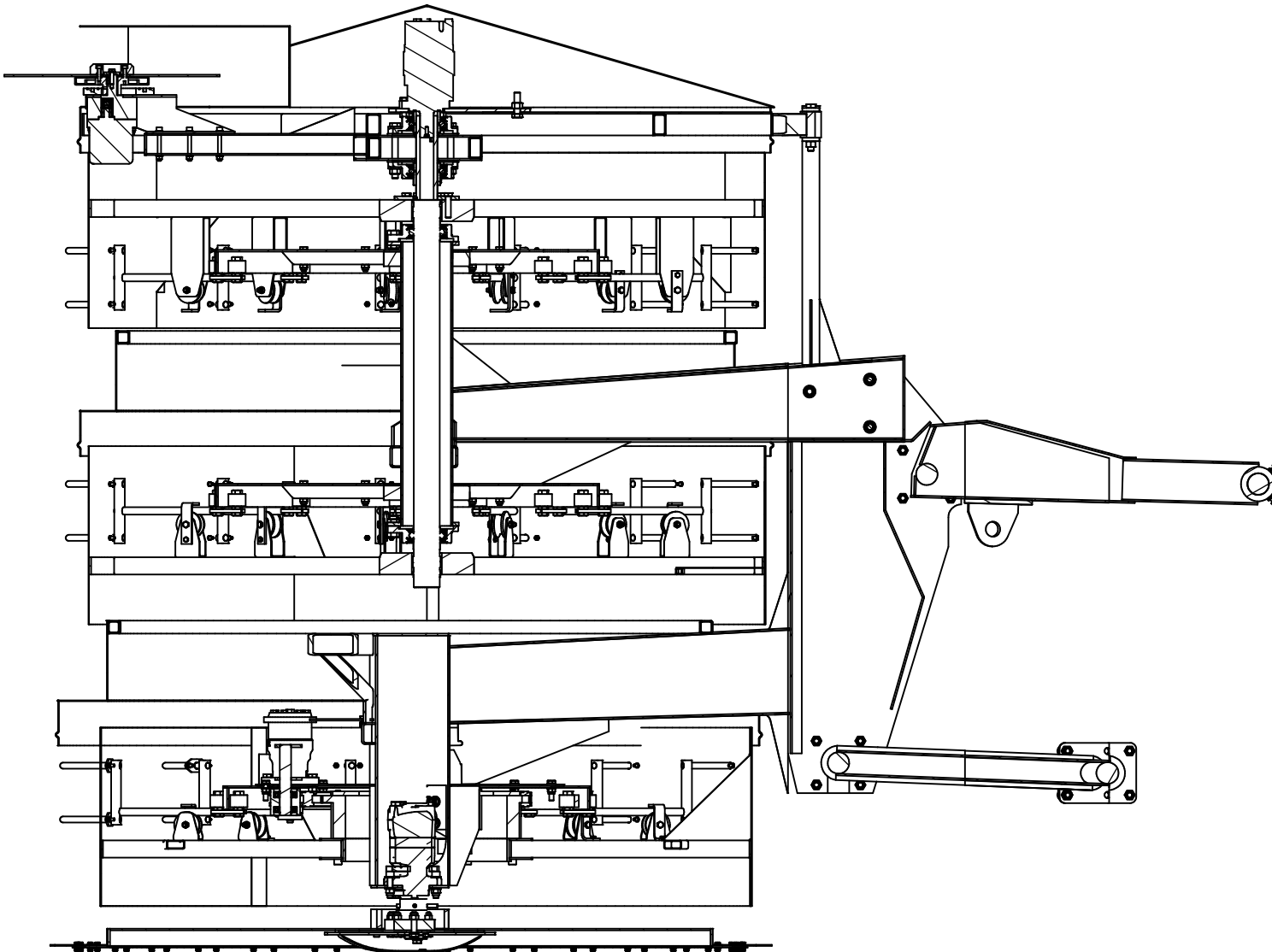


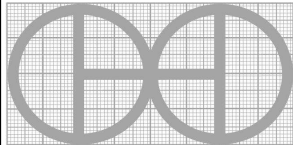
PROJECT	CREATED BY	APPROVED BY	DATE	VERSION	
Vertical Drum Hemp Harvester	A. Morillo	D. Jaeger	22-05-2024	0.06	
PART NAME	SPECIFICACIONES			CODE	
3D views				A1	
DEVELOPED BY	REDESIGNED BY	FILENAME	QTY		
		Vertical Drum Hemp Harvester.iam	1		
Hanfasser		LICENSE	DOC. TYPE	SCALE	SHEET
		CC-BY-SA 4.0	Assembly	1 : 20	2 / 215

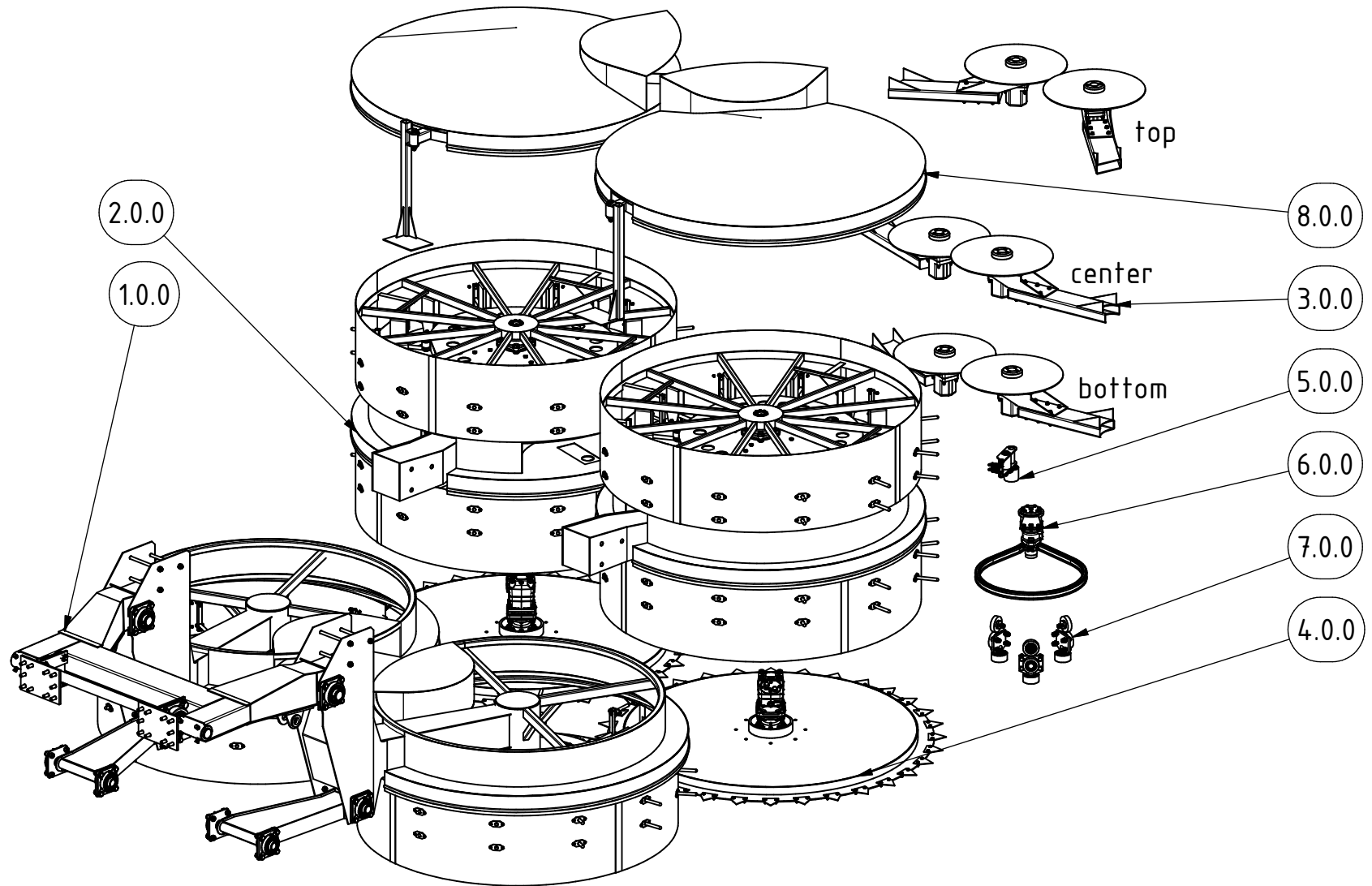
OHO e.V.

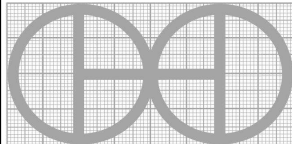


PROJECT	CREATED BY	APPROVED BY	DATE	VERSION
Vertical Drum Hemp Harvester	A. Morillo	D. Jaeger	22-05-2024	0.06
PART NAME	SPECIFICACIONES			CODE
3D views				A1
DEVELOPED BY	REDESIGNED BY	FILENAME	QTY	
		Vertical Drum Hemp Harvester.iam	1	
		LICENSE	DOC. TYPE	SHEET
Hanfasser		CC-BY-SA 4.0	Assembly	3 / 215
		OHO e.V.	SCALE	
			1 : 12	



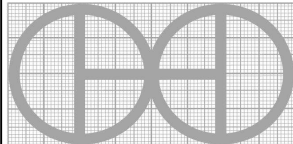
PROJECT	CREATED BY	APPROVED BY	DATE	VERSION
Vertical Drum Hemp Harvester	A. Morillo	D. Jaeger	22-05-2024	0.06
PART NAME	SPECIFICACIONES			CODE
3D views				A1
DEVELOPED BY	REDESIGNED BY	FILENAME	QTY	
		Vertical Drum Hemp Harvester.iam	1	
		LICENSE	DOC. TYPE	SHEET
Hanfasser		CC-BY-SA 4.0	Assembly	4 / 215
		OHO e.V.	SCALE	
			1 : 12	



PROJECT	CREATED BY	APPROVED BY	DATE	VERSION
Vertical Drum Hemp Harvester	A. Morillo	D. Jaeger	22-05-2024	0.06
PART NAME	SPECIFICACIONES			CODE
Explodewd view				A2
DEVELOPED BY	REDESIGNED BY	FILENAME		QTY
		Vertical Drum Hemp Harvester.ipn		1
Hanfasser		LICENSE	DOC. TYPE	SCALE
		CC-BY-SA 4.0	Assembly	1 : 25
				SHEET
				5 / 215

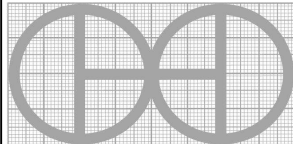
PARTS LIST

POS	QTY	PART NAME	FILE NAME	PART TYPE	SPECIFICATIONS	SHEET
A1	1	3D views	Vertical Drum Hemp Harvester.iam			1
A2	1	Explodewd view	Vertical Drum Hemp Harvester.ipn			5
B		Parts list				6
1.0.0	1	Main frame base and parallelogram swing arm	1.iam			20
1.0.0	1	Main frame base and parallelogram swing arm	1.iam			21
1.0.0	1	Main frame base and parallelogram swing arm	1.iam			22
1.1.0	2	Main frame base	1.1.iam			23
1.1.0	2	Main frame base	1.1.iam			24
1.1.0	2	Main frame base	1.1.iam			25
1.1.1	2	Part 1.1.1	1.1.1.ipt	Production	Steel 235J2	26
1.1.2	2	Part 1.1.2	1.1.1.ipt	Production	Steel 235J2	27
1.1.3	2	Part 1.1.3	1.1.3.ipt	Production	Steel 235J2	28
1.1.4	2	Part 1.1.4	1.1.4.ipt	Production	Steel 235J2	29
1.1.5	2	Part 1.1.5	1.1.5.ipt	Production	Steel 235J2	30
1.1.7	2	Part 1.1.7_1	1.1.7_A.ipt	Production	Steel 235J2	31
1.1.8	4	Part 1.1.8	1.1.8.ipt	Production	Steel 235J2	32
1.1.9	2	Part 1.1.9	1.1.9.ipt	Production	Steel 235J2	33
1.1.10	2	Part 1.1.10	1.1.10.ipt	Production	Steel 235J2	34

PROJECT		CREATED BY		APPROVED BY		DATE		VERSION	
Vertical Drum Hemp Harvester		A. Morillo		D. Jaeger		22-05-2024		0.06	
PART NAME			SPECIFICACIONES					CODE	
Parts list								B1	
DEVELOPED BY			REDESIGNED BY		FILENAME			QTY	
Hanfasser					OHO e.V.				
LICENSE		DOC. TYPE		SCALE		SHEET			
CC-BY-SA 4.0		Parts list				6 /215			

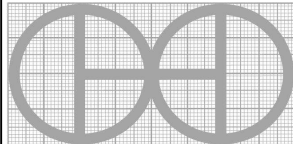
PARTS LIST

POS	QTY	PART NAME	FILE NAME	PART TYPE	SPECIFICATIONS	SHEET
1.1.11	4	Part 1.1.11	1.1.11.ipt	Production	Steel 235J2	35
1.1.12	4	Part 1.1.12	1.1.12.ipt	Production	Steel 235J2	36
1.1.13	2	Part 1.1.13	1.1.13.ipt	Production	Flat bar 50*4 mm	37
1.1.14	6	Part 1.1.14	1.1.14.ipt	Production	Steel 235J2	38
1.1.15	8	Part 1.1.15	1.1.15.ipt	Production	Steel 235J2	39
1.1.15	8	Part 1.1.15	1.1.15.ipt	Production	Steel 235J2	40
1.1.15	8	Part 1.1.15	1.1.15.ipt	Production	Steel 235J2	41
1.1.16	2	Part 1.1.16	1.1.16.ipt	Production	Steel 235J2	42
1.1.17	24	Part 1.1.17		Standard	Hex bolt M10*40	
1.1.18	24	Part 1.1.18		Standard	Lock nut M10	
1.1.19	24	Part 1.1.19		Standard	Plain washer D11*20	
1.2.0	1	Upper handlebar	1.2.iam			43
1.2.0	1	Upper handlebar	1.2.ipn			44
1.2.1	1	Part 1.2.1	1.2.1.ipt	Production	Steel 235J2	45
1.2.2	2	Part 1.2.2	1.2.2.ipt	Production	Steel 235J2	46
1.2.3	2	Part 1.2.3	1.2.3.ipt	Production	Steel 235J2	47
1.2.4	2	Part 1.2.4	1.2.4.ipt	Production	Steel 235J2	48
1.2.5	1	Part 1.2.5	1.2.5.ipt	Production	Steel 235J2	49
1.2.6		Part 1.2.6	1.2.6.ipt	Production		50
1.2.6_C	2	Part 1.2.6_C	1.2.6_C.ipt	Production	Steel 235J2	51
1.2.7		Part 1.2.7	1.2.7.ipt	Production		52
1.2.7_C	2	Part 1.2.7_C	1.2.7_C.ipt	Production	Steel 235J2	53
1.2.8	2	Part 1.2.8	1.2.8.ipt	Production	Steel 235J2	54
1.2.9_1	2	Part 1.2.9_1	1.2.9.ipt	Production	Steel 235J2	55
1.2.9_2	2	Part 1.2.9_2	1.2.9_A.ipt	Production	Steel 235J2	56
1.2.10	4 (2A,2B)	Part 1.2.10	1.2.10.ipt	Production	Steel 235J2	57
1.2.11	4	Upper handlebar_part11	1.2.11.ipt	Production	Steel 235J2	58
1.2.12	2	Upper handlebar_part11	1.2.12.ipt	Production	Steel 235J2	59
1.2.13	2	Upper handlebar_part11	1.2.13.ipt	Production	Steel 235J2	60
1.3.0	1	Axle	1.3.ipt	Production	Steel 235J2	61

PROJECT		CREATED BY	APPROVED BY	DATE	VERSION
Vertical Drum Hemp Harvester		A. Morillo	D. Jaeger	22-05-2024	0.06
PART NAME		SPECIFICACIONES			CODE
Parts list					B2
DEVELOPED BY		REDESIGNED BY	FILENAME		QTY
Hanfasser			OHO e.V.		
		LICENSE	DOC. TYPE	SCALE	SHEET
		CC-BY-SA 4.0	Parts list		7 /215

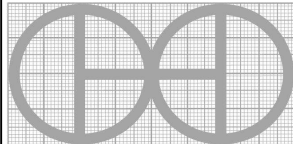
PARTS LIST

POS	QTY	PART NAME	FILE NAME	PART TYPE	SPECIFICATIONS	SHEET
1.4.0	4	Flange bearing UCF 310		Buy	UCF 310	
1.5.0	2	Lower control arm	1.5.iam			62
1.5.0	2	Lower control arm	1.5.ipn			63
1.5.1	2	Part 1.5.1	1.5.1.ipt	Production	Steel 235J2	64
1.5.3	8	Part 1.5.3	1.5.3.ipt	Production	Steel 235J2	65
1.5.4	2	Part 1.5.4	1.5.4.ipt	Production	Steel 235J2	66
1.5.5	8	Part 1.5.5	1.5.5.ipt	Production	Steel 235J2	67
1.5.6	2	Part 1.5.6	1.5.6.ipt	Production	Steel 235J2	68
1.5.7	2	Part 1.5.7	1.5.7.ipt	Production	Steel 235J2	69
1.6.0	8	Flange bearing UCF 208		Buy	UCF 208	
1.7.0	8	Reinforcement plate 2	1.7.ipt	Production	Steel 235J2, For Bearing UCF 208	70
1.8.0	4	Reinforcement plate	1.8.ipt	Production	Steel 235J2, for bearing UCF 210	71
1.9.0	4	Reinforcement plate	1.9.ipt	Production	Steel 235J2, for bearing UCF 310	72
1.10.0	4	Flange bearing UCF 210		Buy	UCF 210	
1.11.0	2	Bracket for flange mounting	1.11.iam			73
1.11.0	2	Bracket for flange mounting	1.11.ipn			74
1.11.1	2	Part 1.11.1	1.11.1.ipt	Production	Steel 235J2	75
1.11.2	2	Part 1.11.2	1.11.2.ipt	Production	Steel 235J2	76
1.12.0	8	Screw M16		Standard	M20*55	
1.13.0	68	Screw M14		Standard	M14*45	
1.16.0	8	Clamping screw		Standard	M10*30	
1.17.0	8	Hex nut M20		Standard	M20	
1.18.0	8	Hex nut M10		Standard	M10	
1.20.0	60	Hex nut M14		Standard	M14	
1.24.0	6	Thread M14	1.24.ipt	Production	Treaded bar M14*240 NC	77
1.25.0	2	Feeding drums 1	1.25.iam			78
1.25.0	2	Feeding drums 1	1.25.ipn			79
1.25.1	2	Part 1.25.1	1.25.1.ipt	Production	Sheet 2mm	80
1.25.3	2	Part 1.25.3	1.25.3.ipt	Production	Sheet 2mm	81
1.25.4	2	Part 1.25.4	1.25.4.ipt	Production	Sheet 2mm	82
1.25.5	2	Part 1.25.5	1.25.5.ipt	Production	Sheet 2mm	83

PROJECT		CREATED BY	APPROVED BY	DATE	VERSION
Vertical Drum Hemp Harvester		A. Morillo	D. Jaeger	22-05-2024	0.06
PART NAME		SPECIFICACIONES			CODE
Parts list					B3
DEVELOPED BY		REDESIGNED BY	FILENAME		QTY
Hanfasser			OHO e.V.		
		LICENSE	DOC. TYPE	SCALE	SHEET
		CC-BY-SA 4.0	Parts list		8 /215

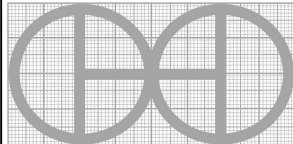
PARTS LIST

POS	QTY	PART NAME	FILE NAME	PART TYPE	SPECIFICATIONS	SHEET
1.25.6	6	Part 1.25.6	1.25.6.ipt	Production	Rectangle profile 50*30*3 mm	84
1.25.7	2	Part 1.25.7	1.25.7.ipt	Production	Square profile 30*30*3 mm	85
1.25.8	6	Part 1.25.8	1.25.8.ipt	Production	Square profile 30*30*3 mm	86
1.26.0	2	Feed drum bottom	1.26.iam			87
1.26.1	1	Inner ring 1	1.26.3.ipt	Production	Steel 235J2	89
1.26.2	2	Inner ring 2	1.26.9.ipt	Production	Steel 235J2	90
1.26.3	12	Structure support 1	1.26.4	Production	Rectangle profile 40*20*3 mm	91
1.26.4	12	Structure support 2	1.26.6	Production	Rectangle profile 40*20*3 mm	92
1.26.5	1	Outer ring	1.26.5	Production	Flat bar 40*4 mm	93
1.26.6	4	Metallic cover 1	2.20.5.ipt	Production	Sheet 1mm	94
1.26.7	4	Thin sheet reinforcement	1.26.11.ipt	Production	Sheet 1mm	95
1.26.8	1	Sprocket wheel	1.26.1.ipt	Production	For chain 16B-1-70, Z=64, Steel 235J2	96
1.26.9	8	Socket bolts M12		Standard	Socket head bolt M12*160 NC	
1.26.10	12	Pulley support	1.26.7.ipt	Production	Steel 235J2	97
1.26.11	12	Pulley	2.20.9.ipt	Buy	D 60, d 9, th 26mm, Teflon?	
1.26.12	12	Pulley hook	1.26.8.ipt	Production	Flat bar 25*5 mm	98
1.26.13	12	Pulley shaft		Standard	Hex head bolt M8*60 NC	
1.26.14	12	Hook bolt		Standard	Hex head bolt M6*60 NC	
1.26.15	12	Pulley nut		Standard	Lock nut M8 NC	
1.26.16	12	Hook nut		Standard	Hex thin nut M6 NC	
1.26.17	24	Tine Bush		Buy		
1.26.18	48	Tine bush bolt		Standard	Countersunk bolt M6*20 NC	
1.26.19	48	Tine bush nut		Standard	Hex nut M6 NC	
1.27.0	12	Lower Fork	1.27.ipn			99
1.27.1	1	Part 1.27.1	1.27.2	Production	Square profile 20*2 mm	101
1.27.2	1	Part 1.27.2	1.27.1	Production	Round tube D17*2 mm	102
1.27.3	1	Part 1.27.3	1.27.4	Production	Steel 235J2	103
1.27.4	2	Part 1.27.4	1.27.3	Production	Round bar D 14mm	104
1.27.5	2	Fork roller		Buy	D 40 * d 15 * h 28 mm, Teflon?	
1.27.6	2	Roller shaft		Standard	Hex head bolt M14*50 NC	
1.27.7	4	Roller nut		Standard	Hex thin nut M14 NC	

PROJECT		CREATED BY	APPROVED BY	DATE	VERSION
Vertical Drum Hemp Harvester		A. Morillo	D. Jaeger	22-05-2024	0.06
PART NAME		SPECIFICACIONES			CODE
Parts list					B4
DEVELOPED BY		REDESIGNED BY	FILENAME		QTY
Hanfasser			OHO e.V.		
		LICENSE	DOC. TYPE	SCALE	SHEET
		CC-BY-SA 4.0	Parts list		9 /215

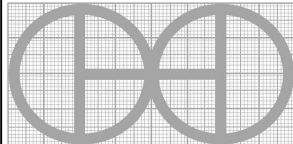
PARTS LIST

POS	QTY	PART NAME	FILE NAME	PART TYPE	SPECIFICATIONS	SHEET
2.0.0	2	Main frame top cpl with attachments	2.iam			105
2.0.0	2	Main frame top cpl with attachments	2.iam			106
2.0.0	2	Main frame top cpl with attachments	2.ipn			107
2.1.0	2	Main frame top	2.1.iam			108
2.1.0	2	Main frame top	2.1.ipn			109
2.1.1	4	Part 2.1.1	2.1.1.ipt	Production	Steel 235J2	110
2.1.2	2	Part 2.1.2	2.1.2.ipt	Production	Steel 235J2	111
2.1.3	2	Part 2.1.3	2.1.3.ipt	Production	Steel 235J2	112
2.1.4	2	Part 2.1.4	2.1.4.ipt	Production	Steel 235J2	113
2.1.5	2	Part 2.1.5	2.1.5.ipt	Production	Round tube D120*4 mm	114
2.1.6	4	Part 2.1.6	2.1.6.ipt	Production	Steel 235J2	115
2.1.7	4	Part 2.1.7	2.1.7.ipt	Production	Flat bar 50*4 mm	116
2.1.8	4	Part 2.1.8	2.1.8.ipt	Production	Steel 235J2	117
2.1.9	4	Part 2.1.9	2.1.9.ipt	Production	Cast iron (*)	118
2.1.10	8	Part 2.1.10	2.1.10.ipt	Production	Square profile 30*3 mm	119
2.1.11	6	Part 2.1.11	2.1.11.ipt	Production	Round tube D28*3 mm	120
2.1.12	8	Part 2.1.12	2.1.12.ipt	Production	Square profile 30*3 mm	121
2.1.13	32	Part 2.1.13		Standard	Hex bolt M10*50	
2.1.14	8	Part 2.1.14		Standard	Lock nut M10	
2.1.15	8	Part 2.1.15		Standard	Hexagon bolt M12*65	
2.1.16	32	Part 2.1.16		Standard	Lock nut M12	
2.1.17	4	Part 2.1.17	2.1.17.ipt	Production	Steel 235J2	122
2.1.18	4	Part 2.1.18	2.1.18.ipt	Production	Steel 235J2	123
2.4.0	4	Clamping set		Buy	Clampex KTR 200_TLK 130 40 x 65	
2.5.0	4	Flange bearing		Buy	UCF 210	

PROJECT		CREATED BY	APPROVED BY	DATE	VERSION
Vertical Drum Hemp Harvester		A. Morillo	D. Jaeger	22-05-2024	0.06
PART NAME		SPECIFICACIONES			CODE
					B5
DEVELOPED BY		REDESIGNED BY	FILENAME		QTY
Hanfasser			OHO e.V.		
		LICENSE	DOC. TYPE	SCALE	SHEET
		CC-BY-SA 4.0			10 /215

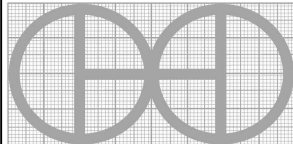
PARTS LIST

POS	QTY	PART NAME	FILE NAME	PART TYPE	SPECIFICATIONS	SHEET
2.6.0	2	Axle for drum mounting diam. 40	2.6.ipt	Production	Steel 235J2	124
2.8.0	96	Sliding piece		Buy	Follower roller, De:40mm, h:28mm, Teflon?	
2.9.0	48	Tine fork	2.9.iam			125
2.9.0	48	Tine fork	2.9.ipn			126
2.9.1	48	Part 2.9.1	2.9.1.ipt	Production	Square profile 20*2 mm	127
2.9.2	48	Part 2.9.2	2.9.2.ipt	Production	Round tube D17*2 mm	128
2.9.3	48	Part 2.9.3	2.9.3.ipt	Production	Steel 235J2	129
2.10.0	48	Tine bush		Buy	Tine bush, Aluminum (*)	
2.11.0	96	Tines	2.11.ipt	Production	Round bar D 14mm	130
2.12.0	96	Hexagon nut M14		Standard	M14	
2.13.0	48	Hexagon bolt M14_50		Standard	Hex head bolt M14*50 NC	
2.16.0	192	Hexagon nut M 6		Standard	M6	
2.17.0	192	Phillips screw M6x20.		Standard	M6 x 20	
2.20.0	2	Feed drum_center cpl	2.20.iam			131
2.20.0	2	Feed drum_center cpl	2.20.ipn			132
2.20.1	24	Part 2.20.1	2.20.1.ipt	Production	Rectangle profile 40*20*2 mm	133
2.20.2	2	Part 2.20.2	2.20.2.ipt	Production	Flat bar 40*5 mm	134
2.20.3	8	Part 2.20.3	2.20.3.ipt	Production	Square profile 15*2 mm	135
2.20.4	2	Part 2.20.4	2.20.4.ipt	Production	Cast iron (*)	136
2.20.5	8	Part 2.20.5	2.20.5.ipt	Production	Sheet 1mm	137
2.20.6	8	Part 2.20.6	2.20.6.ipt	Production	Sheet 1mm	138
2.20.7	24	Part 2.20.7		Standard	Lock nut M8	
2.20.8	24	Part 2.20.8	2.20.8.ipt	Production	Steel 235J2	139
2.20.9	24	Part 2.20.9		Buy	Wheel, Diameter 60, thickness 26, Hole: 8, Teflon?	
2.20.10	24	Part 2.20.10	2.20.10.ipt	Production	Flat bar 25*5 mm	140
2.20.11	24	Part 2.20.11		Standard	Hex bolt M8*60	

PROJECT		CREATED BY	APPROVED BY	DATE	VERSION
Vertical Drum Hemp Harvester		A. Morillo	D. Jaeger	22-05-2024	0.06
PART NAME		SPECIFICACIONES			CODE
					B6
DEVELOPED BY		REDESIGNED BY	FILENAME		QTY
Hanfasser			OHO e.V.		
		LICENSE	DOC. TYPE	SCALE	SHEET
		CC-BY-SA 4.0			11 /215

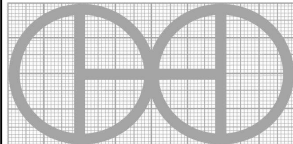
PARTS LIST

POS	QTY	PART NAME	FILE NAME	PART TYPE	SPECIFICATIONS	SHEET
2.20.12	24	Part 2.20.12		Standard	Hex bolt M6*16	
2.20.13	24	Part 2.20.13		Standard	Hex nut M6	
2.21.0	2	Feed drum_top cpl	2.21.iam			141
2.21.0	2	Feed drum_top cpl	2.21.ipn			142
2.21.1	24	Part 2.21.1	2.21.1.ipt	Production	Rectangle profile 40*20*2 mm	143
2.21.2	2	Part 2.21.2	2.21.2.ipt	Production	Flat bar 40*5 mm	144
2.21.3	8	Part 2.21.3	2.21.3.ipt	Production	Square profile 15*2 mm	145
2.21.4	2	Part 2.21.4	2.21.4.ipt	Production	Cast Iron (*)	146
2.21.5	8	Part 2.21.5	2.21.5.ipt	Production	Sheet 1mm	147
2.21.6	8	Part 2.21.6	2.21.6.ipt	Production	Sheet 1mm	148
2.21.7	24	Part 2.21.7		Standard	Lock nut M8	
2.21.8	24	Part 2.21.8	2.21.8.ipt	Production	Steel 235J2	149
2.21.9	24	Part 2.21.9		Buy	Wheel, Diameter 60, thickness 26, Hole: 8, Teflon?	
2.21.10	24	Part 2.21.10	2.21.10.ipt	Production	Flat bar 25*5 mm	150
2.21.11	24	Part 2.21.11		Standard	Hex bolt M8*60	
2.21.12	24	Part 2.21.12		Standard	Hex bolt M6*16	
2.21.13	24	Part 2.21.13		Standard	Hex nut M6	
2.22.0	16	Hexagon head screw M 16		Standard	Hex bolt M16*40	
2.23.0	16	Hexagon nut M16		Standard	Hex nut M16 NC	
2.24.0	2	Feeding drums 2	2.24.iam			151
2.24.0	2	Feeding drums 2	2.24.ipn			152
2.24.1	2	Part 2.24.1	2.24.1.ipt	Production	Sheet 2mm	153
2.24.3	2	Part 2.24.3	2.24.3.ipt	Production	Sheet 2mm	154
2.24.4	2	Part 2.24.4	2.24.4.ipt	Production	Sheet 2mm	155
2.24.5	2	Part 2.24.5	2.24.5.ipt	Production	Sheet 2mm	156
2.24.6	6	Part 2.24.6	2.24.6.ipt	Production	Rectangle profile 50*30*3 mm	157
2.24.7	2	Part 2.24.7	2.24.7.ipt	Production	Square profile 30*3 mm	158
2.24.8	6	Part 2.24.8	2.24.8.ipt	Production	Square profile 30*3 mm	159

PROJECT		CREATED BY		APPROVED BY		DATE		VERSION	
Vertical Drum Hemp Harvester		A. Morillo		D. Jaeger		22-05-2024		0.06	
PART NAME				SPECIFICACIONES				CODE	
Parts list								B7	
DEVELOPED BY			REDESIGNED BY			FILENAME			QTY
Hanfasser						OHO e.V.			
LICENSE		DOC. TYPE		SCALE		SHEET			
CC-BY-SA 4.0		Parts list				12 /215			

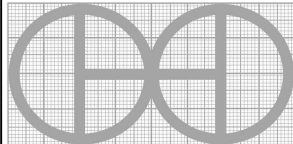
PARTS LIST

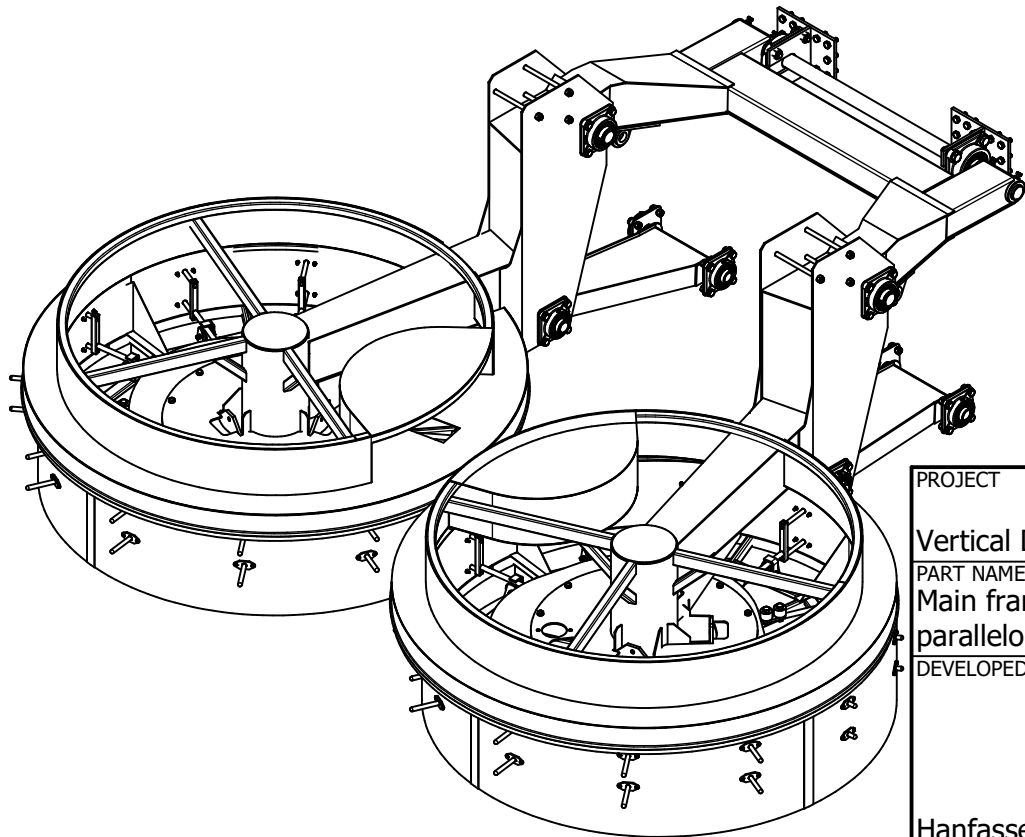
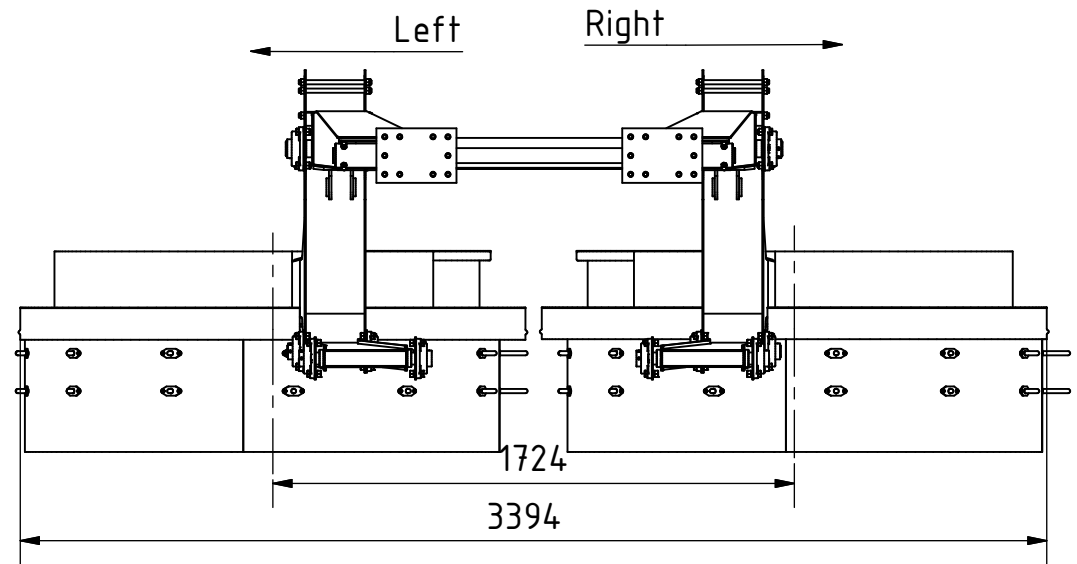
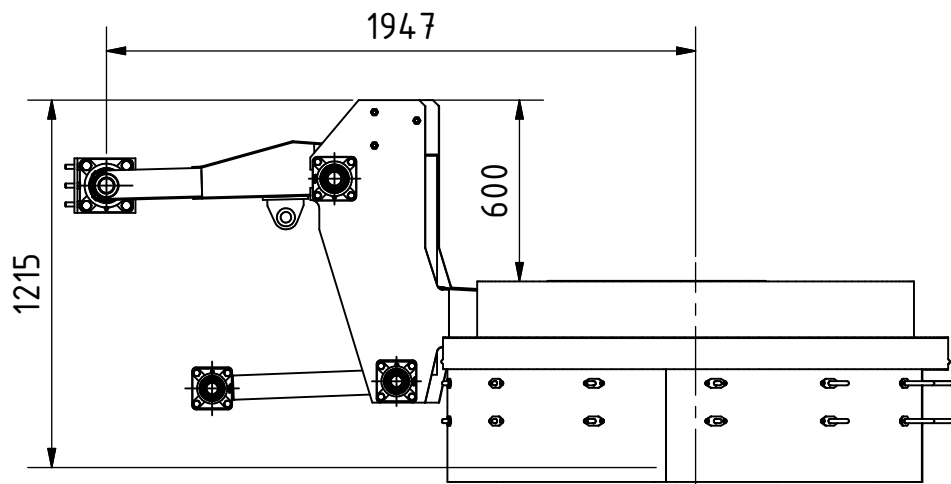
POS	QTY	PART NAME	FILE NAME	PART TYPE	SPECIFICATIONS	SHEET
3.0.0	6	Circular saws	3.iam			160
3.1.0	6	Circular saw fastening lower part	3.1.ipt	Production	Steel 235J2	163
3.2.0	6	Motor mounting plate	3.2.ipt	Production	Steel 235J2	164
3.3.0	6	Console for circular saw	3.3.iam	Production	Steel 235J2	165
3.3.0	6	Console for circular saw	3.3.ipn	Production	Steel 235J2	166
3.3.1	12	Plate 3.3.1	3.3.1.ipt	Production	Steel 235J2	167
3.3.2	6	Plate 3.3.2	3.3.2.ipt	Production	Steel 235J2	168
3.3.3	6	Plate 3.3.3	3.3.3.ipt	Production	Steel 235J2	169
3.4.0	6	Circular saw attachment upper part	3.4.ipt	Production	Steel 235J2	170
3.5.0	6	U Washer	3.5.ipt	Production	Steel 235J2	171
3.6.0	6	Bearing support		Buy	Front bearing cpl. SUR/2 Shaft diam. 22. Includes Angular contact ball bearing 3208 B 2 RSR TVH	
3.7.0	6	Gear motor		Buy	KV 2 M/17-K 1:8 D=36,5	
3.8.0	6	Clutch hub		Buy	BF 2T Z=15 (1 :8)	
3.9.0	6	Hex Nut		Standard	Hex Nut M12 NC	
3.10.0	6	Flat washer		Standard	for M12	
3.11.0	6	Circular saw blade		Buy	type 05 carbide tipped diam. 500 Z 144	
3.12.0	24	Lock Nut M8		Standard	Lock Nut M8 NC	
3.13.0	6	Parallel key 6x		Standard	Parallel key 6x, 6*6*15	
3.14.0	24	Hex socket screw		Standard	Socket head bolt M8x100 NC	
3.15.0	6	Hex bolt		Standard	Hex head bolt M8x30 NC	
3.16.0	24	Socket Hex bolt		Standard	Socket head bolt M6x30 NC	
3.17.0	24	Socket Hex bolt		Standard	Socket head bolt M8x70 NC	
3.18.0	24	Hex Nut		Standard	Hex nut M8 NC	
3.19.0	40	Plain washer		Standard	For M8	
3.20.0	24	Spring Washer		Standard	Din 127 A8	
3.21.0	1	Saw support	3.21.ipt	Production	Rectangle profile 130*50*4 mm	172
3.22.0	2	Support reinforcement	3.22.ipt	Production	Steel 235J2	173

PROJECT		CREATED BY	APPROVED BY	DATE	VERSION
Vertical Drum Hemp Harvester		A. Morillo	D. Jaeger	22-05-2024	0.06
PART NAME		SPECIFICACIONES			CODE
Parts list					B8
DEVELOPED BY		REDESIGNED BY	FILENAME		QTY
Hanfasser			OHO e.V.		
		LICENSE	DOC. TYPE	SCALE	SHEET
		CC-BY-SA 4.0	Parts list		13 /215

PARTS LIST

POS	QTY	PART NAME	FILE NAME	PART TYPE	SPECIFICATIONS	SHEET
4.0.0	2	Mowing knife discs	4.iam			174
4.1.1	1	Part 4.1.1	4.1.2.ipt	Production	Steel 235J2	176
4.1.2	1	Part 4.1.2	4.1.3.ipt	Production	Steel 235J2	177
4.1.3	1	Part 4.1.3	4.1.4.ipt	Production	Flat bar 40*5 mm	178
4.1.4	1	Part 4.1.4	4.1.5.ipt	Production	Steel 235J2	179
4.1.5	1	Part 4.1.5	4.1.1.ipt	Production	Steel 235J2	180
4.2.1	1	Part 4.2.1	4.1.6.ipt	Production	Steel 235J2	181
4.2.2	1	Part 4.2.2	4.1.7.ipt	Production	Steel 235J2	182
4.3.0	1	Drive motor OMT 200		Buy	OMT 200 151B3001 2.1	
4.5.0	1	Adapter flange	4.4.ipt	Production	Steel 235J2	183
4.6.0	64	Hexagon screw		Standard	Hex head bolt M6*20 NC	
4.7.0	32	Knife segment		Buy	Edge with serrated teeth	
4.8.0	64	Hexagon nut M6 with clamping part		Standard	Lock nut M6 NC	
4.9.0	4	Bolt M 12		Standard	Socket head bolt M12*50 NC	
4.10.0	4	Hexagon nut M 12		Standard	Lock nut M12 NC	
4.11.0	8	Hexagon head screw M 12 x 40		Standard	Hex heads bolt M12*40 NC	
4.12.0	4	Hexagon socket screw		Standard	Socket head bolt M12*25 NC	
4.13.0	1	U-Washer special	4.13.ipt	Production	Steel 235J2	184
4.14.0	1			Standard	Hex head bolt M12*40 NC	
4.15.0	8	Flat washer 4.15		Standard	Flat washer For M12	
4.16.0	4	Lock nut M12		Standard	Lock nut M12 NC	
4.17.0	10	Spring washer		Standard	Spring washer for M12	
4.18.0	4	Hex set screw		Standard	Hex set screw M8*25 NC	
4.19.0	128	Flat washer 4.19		Standard	Flat washer For M16	

PROJECT		CREATED BY		APPROVED BY		DATE		VERSION	
Vertical Drum Hemp Harvester		A. Morillo		D. Jaeger		22-05-2024		0.06	
PART NAME				SPECIFICACIONES				CODE	
Parts list								B9	
DEVELOPED BY			REDESIGNED BY			FILENAME			QTY
Hanfasser						OHO e.V.			
LICENSE		DOC. TYPE		SCALE		SHEET			
CC-BY-SA 4.0		Parts list				14 /215			

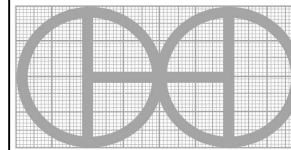


(*)

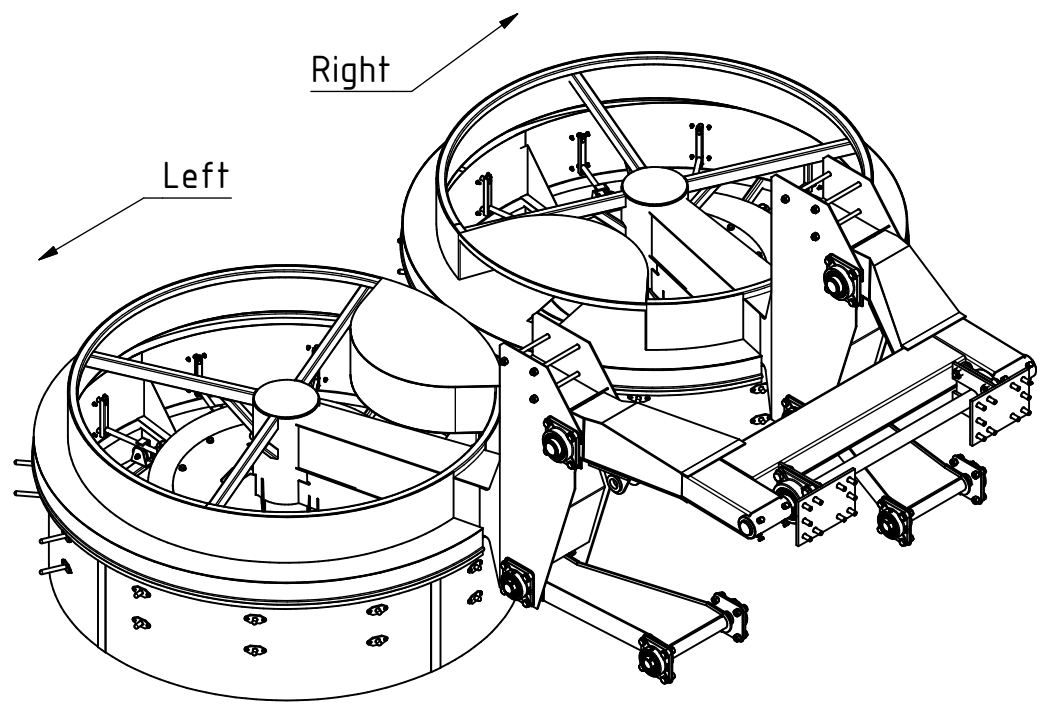
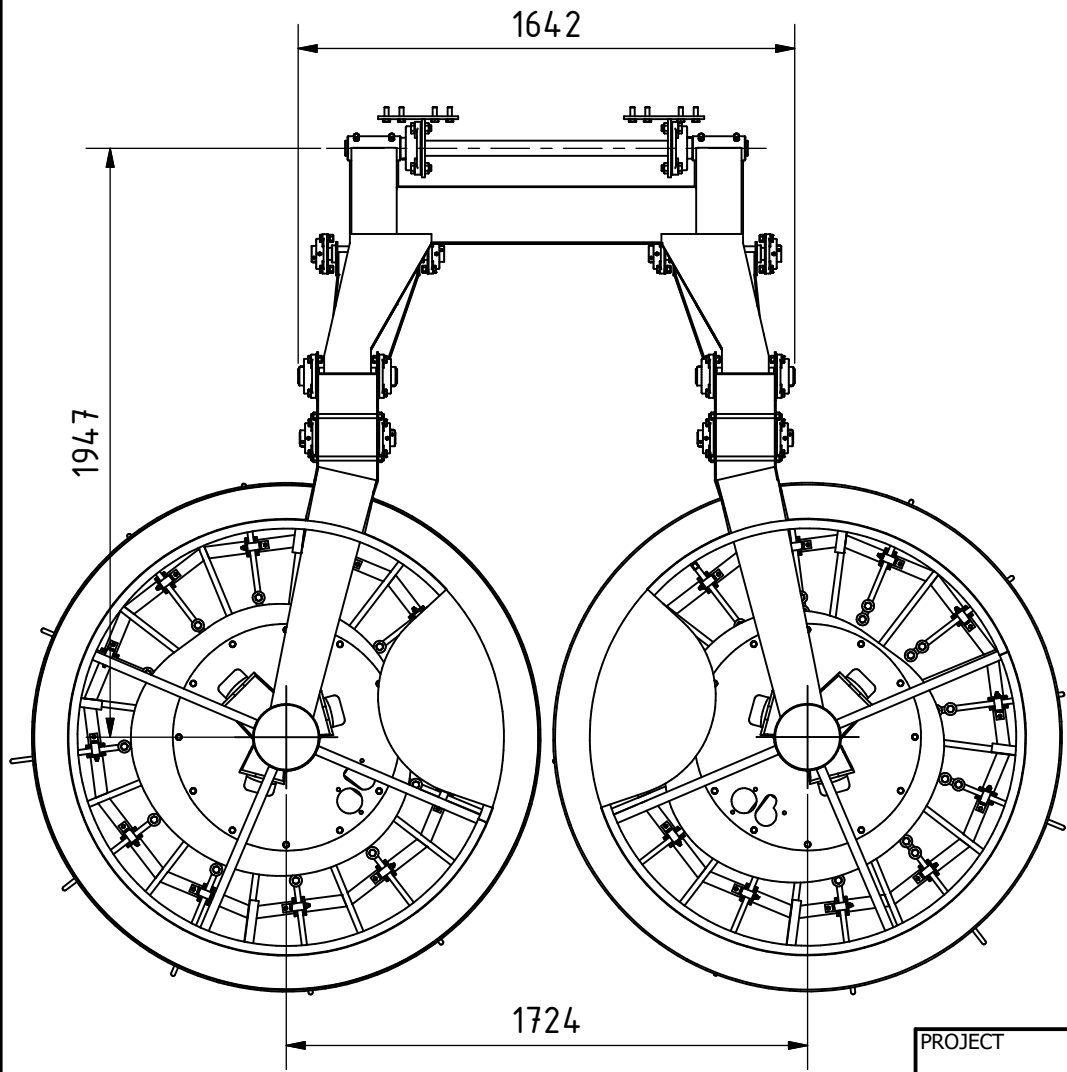
- Some parts from the original catalog were not included here because they were not seen in the existing equipment.
- Other pieces were reorganized in sub-assemblies, to expedite the work with the CAD program (few cases).
- Some parts and assemblies have been adjusted to avoid interference conflicts and to match the received measurements as closely as possible

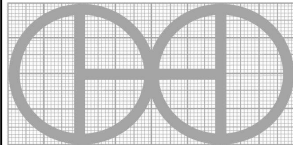
PROJECT	CREATED BY	APPROVED BY	DATE	VERSION
Vertical Drum Hemp Harvester	A. Morillo	D. Jaeger	22-05-2024	0.06
PART NAME	SPECIFICACIONES			CODE
Main frame base and parallelogram swing arm				1.0.0
DEVELOPED BY	REDESIGNED BY	FILENAME		QTY
		1.iam		1
		LICENSE	DOC. TYPE	SCALE
		CC-BY-SA 4.0	Assembly	1 : 25
				SHEET
				20 /215

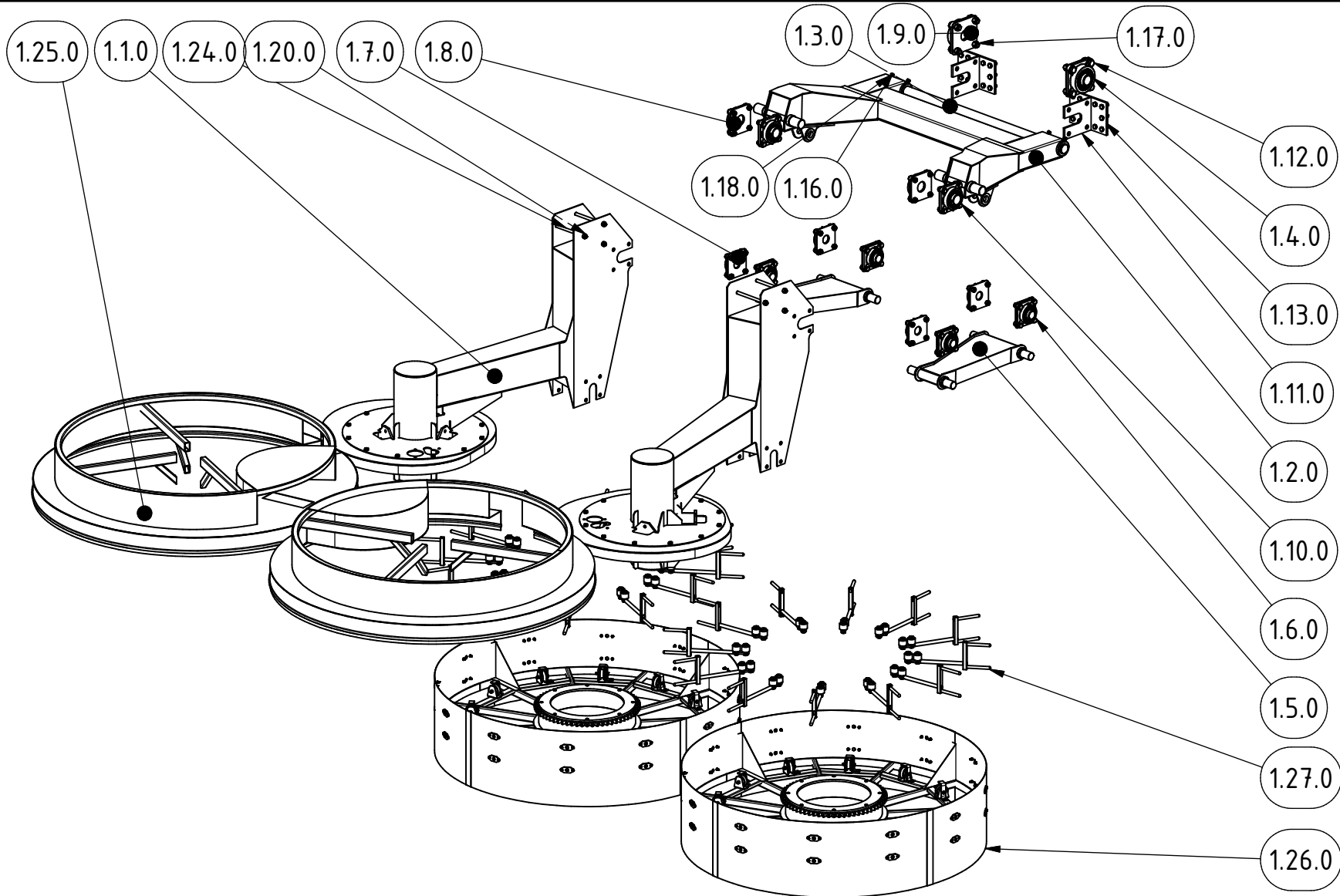
Hanfasser

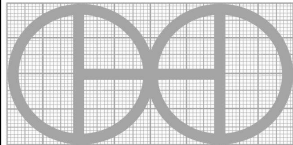


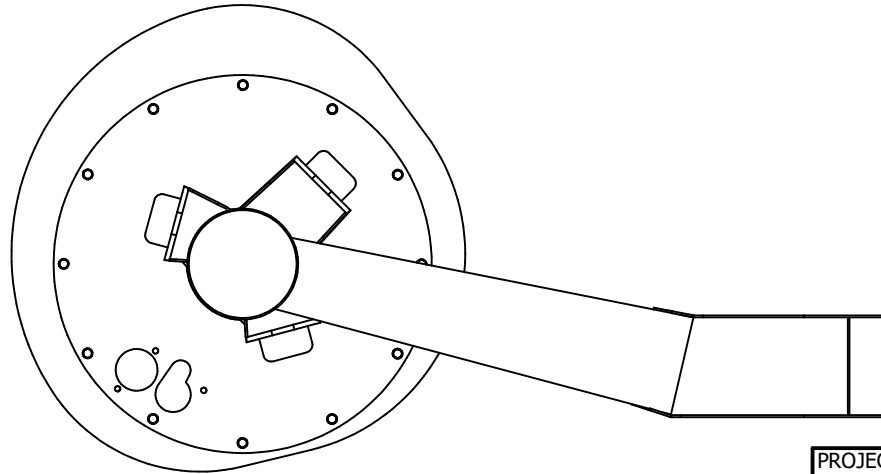
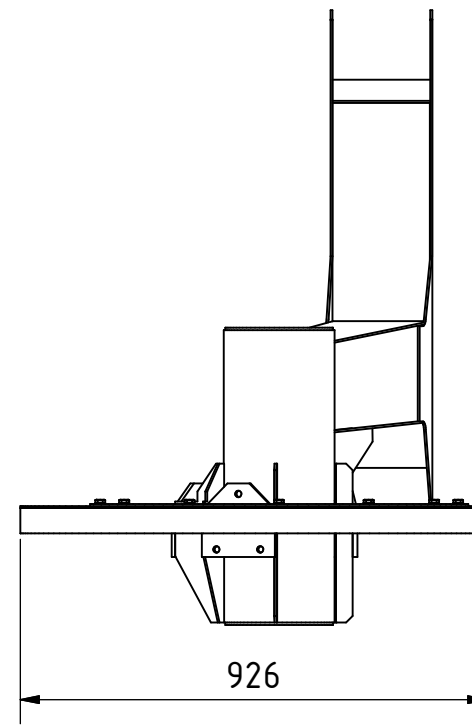
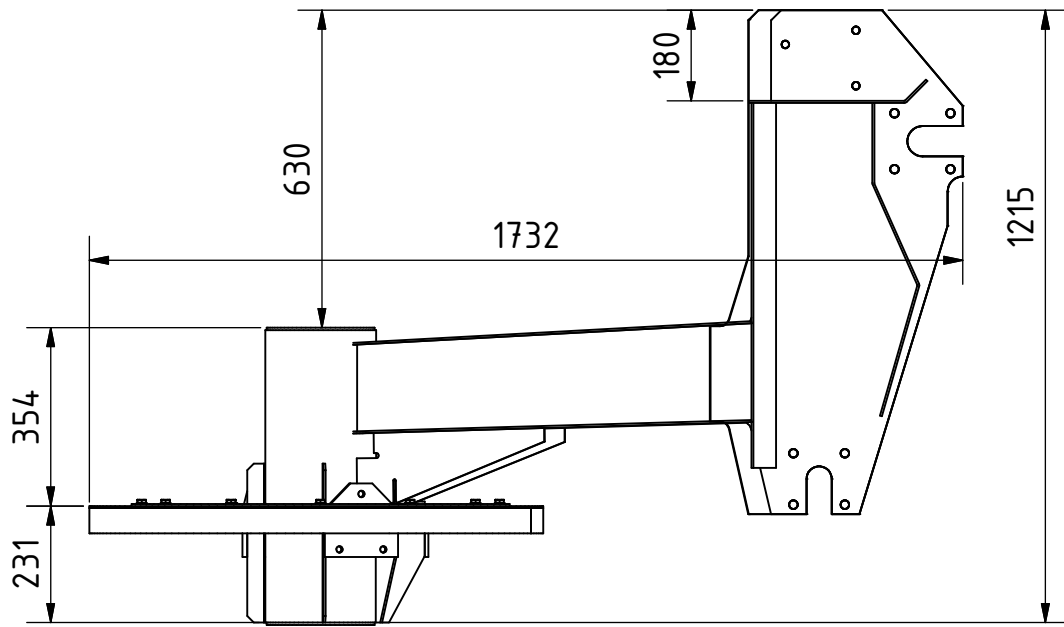
OHO e.V.

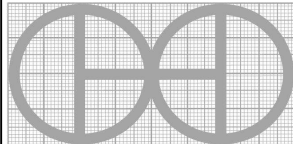


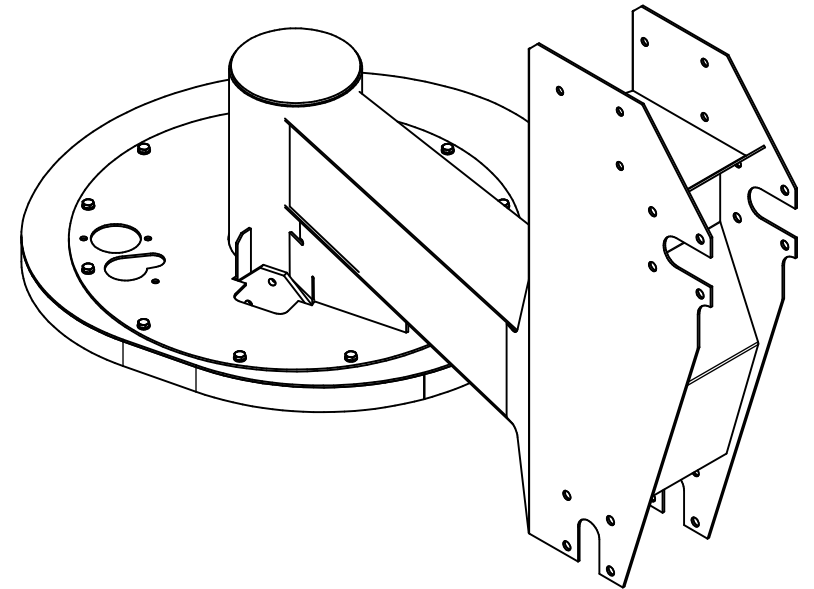
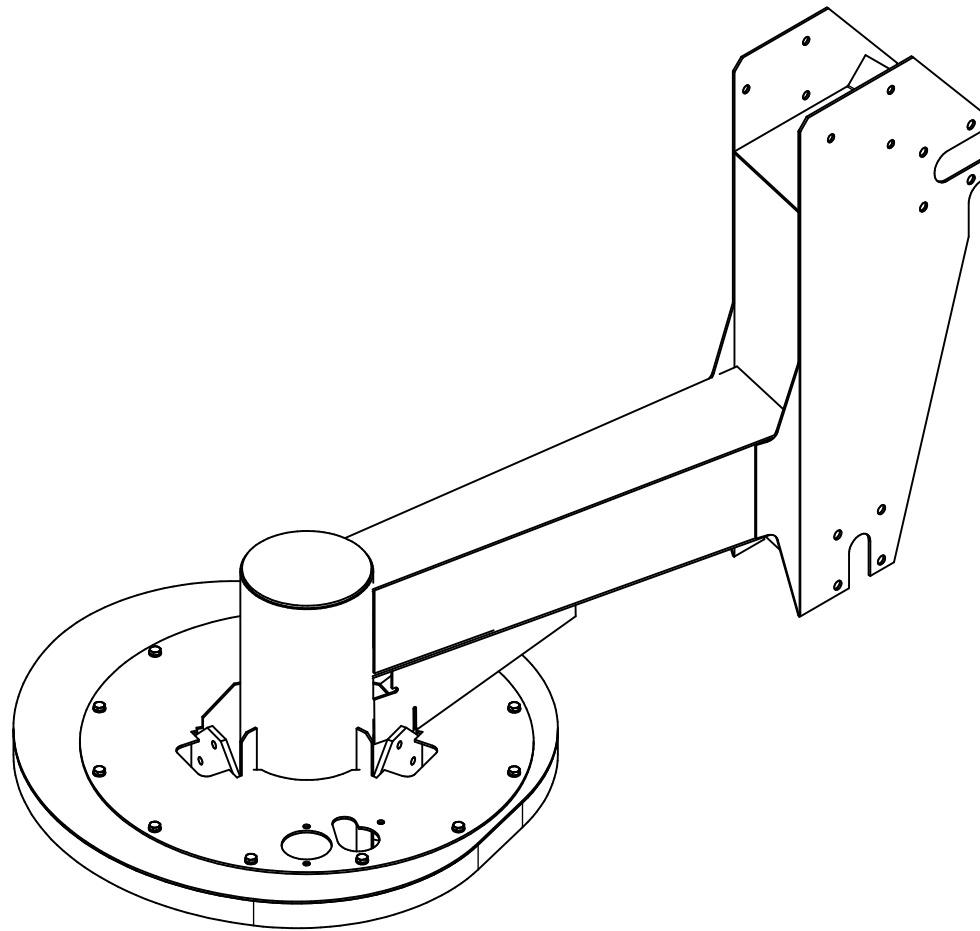
PROJECT		CREATED BY		APPROVED BY		DATE		VERSION		
Vertical Drum Hemp Harvester		A. Morillo		D. Jaeger		22-05-2024		0.06		
PART NAME		SPECIFICACIONES							CODE	
Main frame base and parallelogram swing arm									1.0.0	
DEVELOPED BY		REDESIGNED BY		FILENAME				QTY		
Hanfasser				1.iam				1		
				OHO e.V.		LICENSE		DOC. TYPE		
				CC-BY-SA 4.0		Assembly		SCALE		
						1 : 25		SHEET		
								21 / 215		



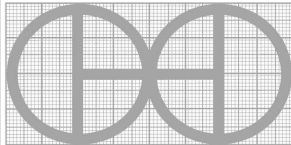
PROJECT	CREATED BY	APPROVED BY	DATE	VERSION
Vertical Drum Hemp Harvester	A. Morillo	D. Jaeger	22-05-2024	0.06
PART NAME	SPECIFICACIONES			CODE
Main frame base and parallelogram swing arm				1.0.0
DEVELOPED BY	REDESIGNED BY	FILENAME		QTY
		1.iam		1
		LICENSE	DOC. TYPE	SHEET
		CC-BY-SA 4.0	Assembly	22 /215
Hanfasser			OHO e.V.	
			SCALE	
			1 : 25	

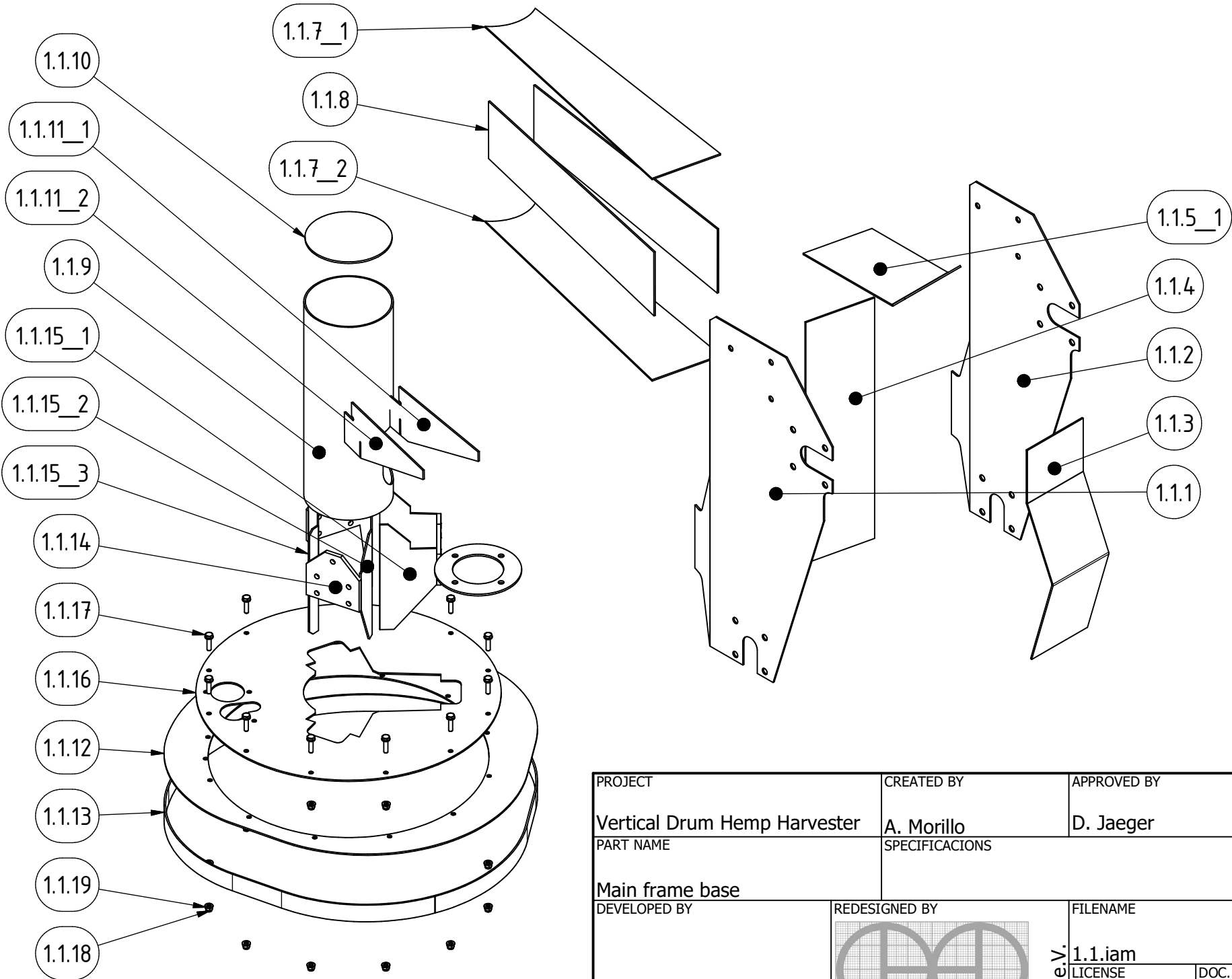


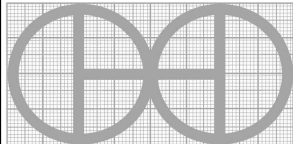
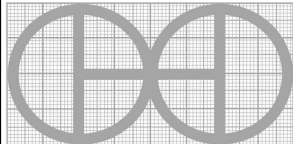
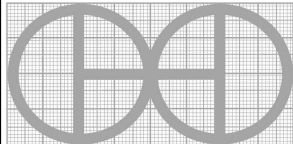
PROJECT	CREATED BY	APPROVED BY	DATE	VERSION
Vertical Drum Hemp Harvester	A. Morillo	D. Jaeger	22-05-2024	0.06
PART NAME	SPECIFICACIONES			CODE
Main frame base				1.1.0
DEVELOPED BY	REDESIGNED BY	FILENAME		QTY
		1.1.iam		2
Hanfasser		LICENSE	DOC. TYPE	SCALE SHEET
		CC-BY-SA 4.0	Assembly	1 : 15 23 /215

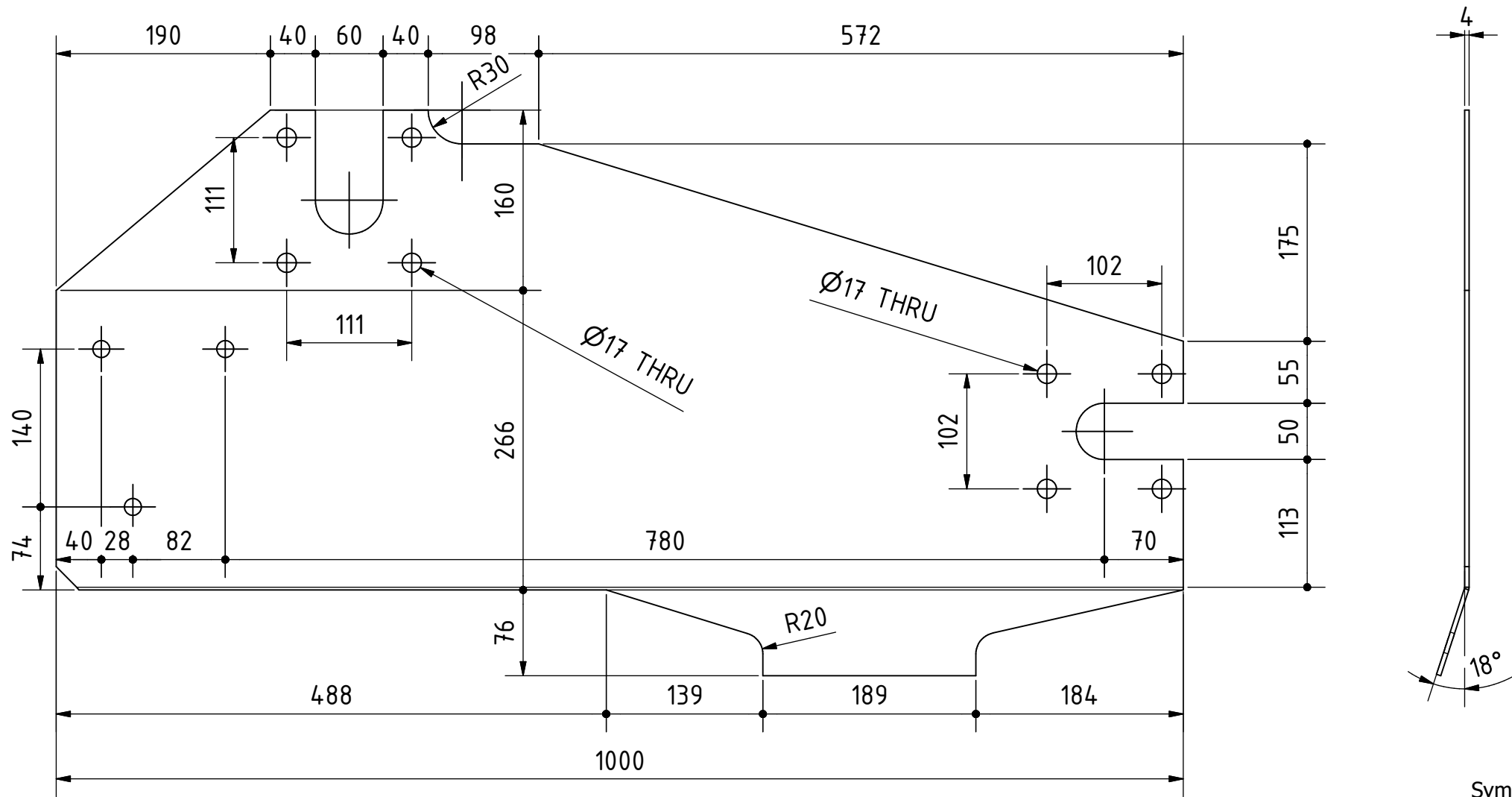


Symmetrical set

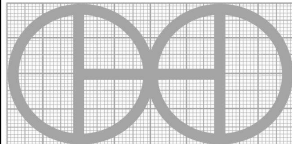
PROJECT		CREATED BY		APPROVED BY		DATE		VERSION		
Vertical Drum Hemp Harvester		A. Morillo		D. Jaeger		22-05-2024		0.06		
PART NAME		SPECIFICACIONES							CODE	
Main frame base									1.1.0	
DEVELOPED BY		REDESIGNED BY		FILENAME				QTY		
Hanfasser				1.1.iam				2		
				LICENSE		DOC. TYPE		SCALE		
				CC-BY-SA 4.0		Assembly		1 : 15		
								24 /215		

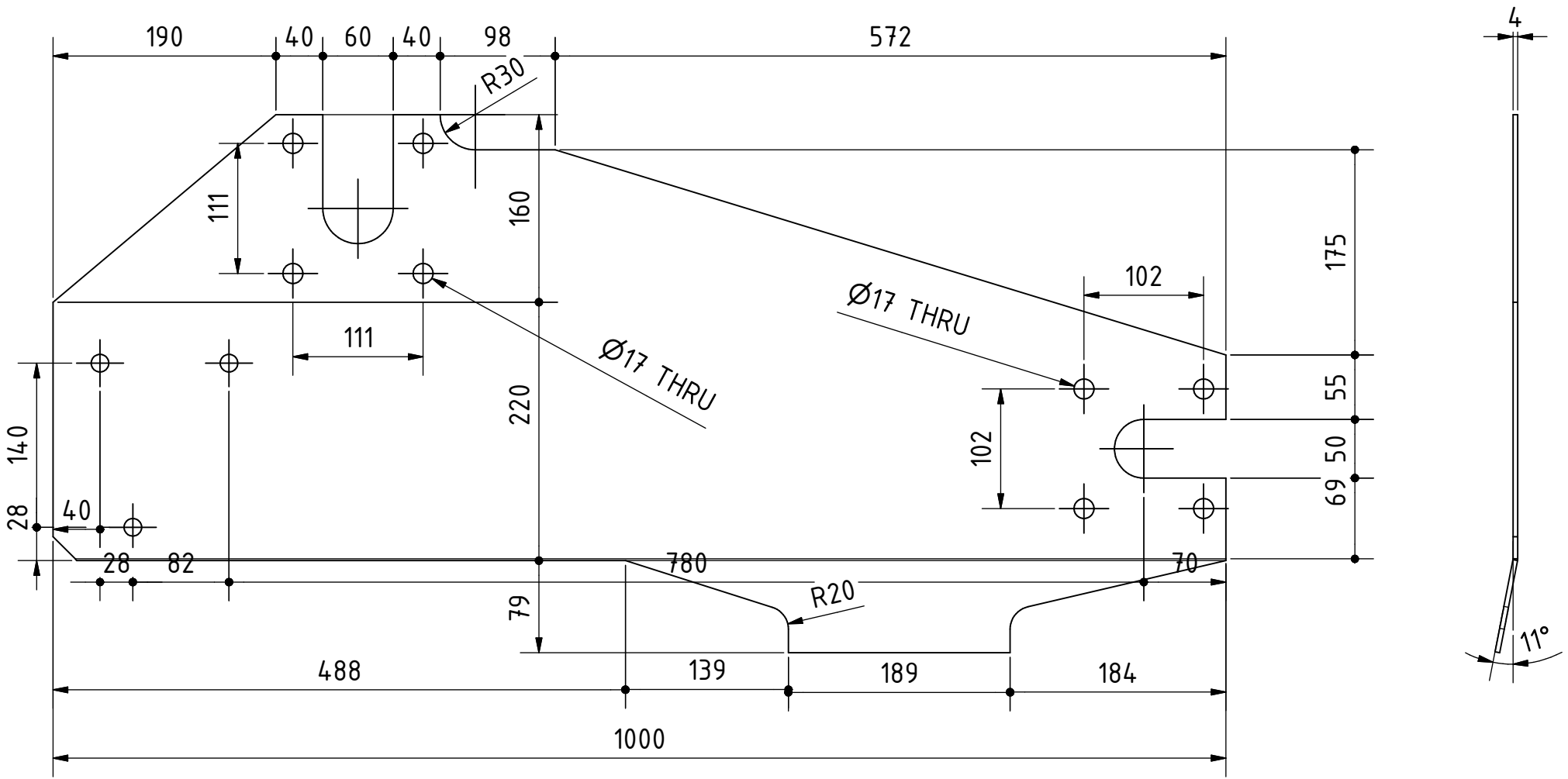


PROJECT		CREATED BY		APPROVED BY		DATE		VERSION		
Vertical Drum Hemp Harvester		A. Morillo		D. Jaeger		22-05-2024		0.06		
PART NAME				SPECIFICACIONES				CODE		
Main frame base								1.1.0		
DEVELOPED BY			REDESIGNED BY			FILENAME			QTY	
Hanfasser						OHO e.V. 1.1.iam			2	
						LICENSE		DOC. TYPE	SCALE	SHEET
						CC-BY-SA 4.0		Assembly	2:25	25 /215



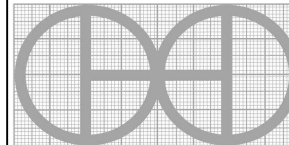
Symmetrical item

PROJECT		CREATED BY		APPROVED BY		DATE		VERSION	
Vertical Drum Hemp Harvester		A. Morillo		D. Jaeger		22-05-2024		0.06	
PART NAME				SPECIFICACIONES				CODE	
Part 1.1.1				Steel 235J2				1.1.1	
DEVELOPED BY			REDESIGNED BY			FILENAME			QTY
Hanfasser						1.1.1.ipt			2
LICENSE		DOC. TYPE		SCALE		SHEET			
CC-BY-SA 4.0		Part		1 : 5		26 /215			



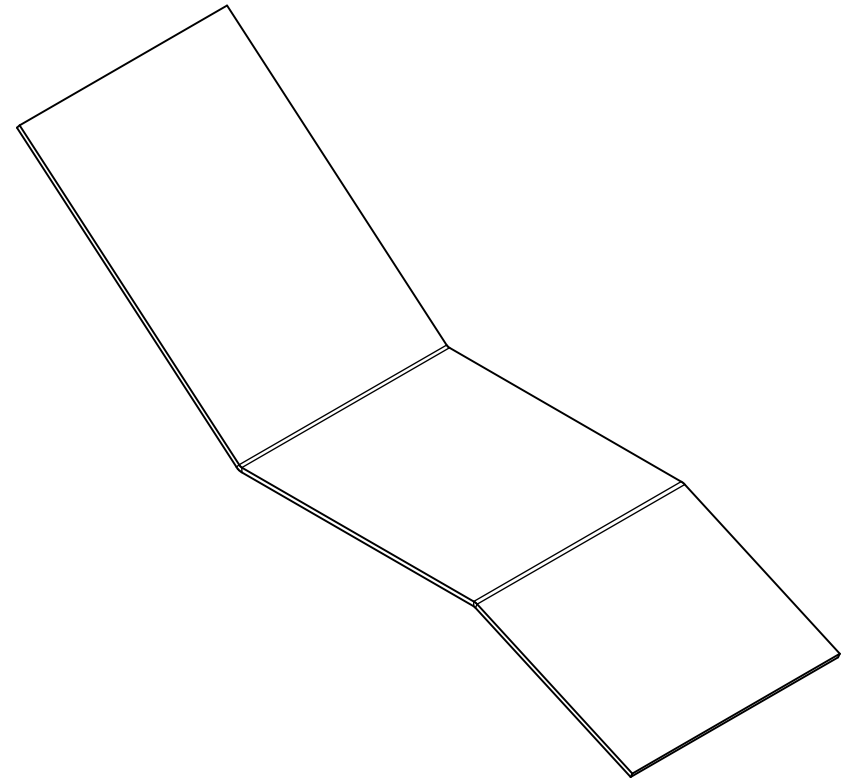
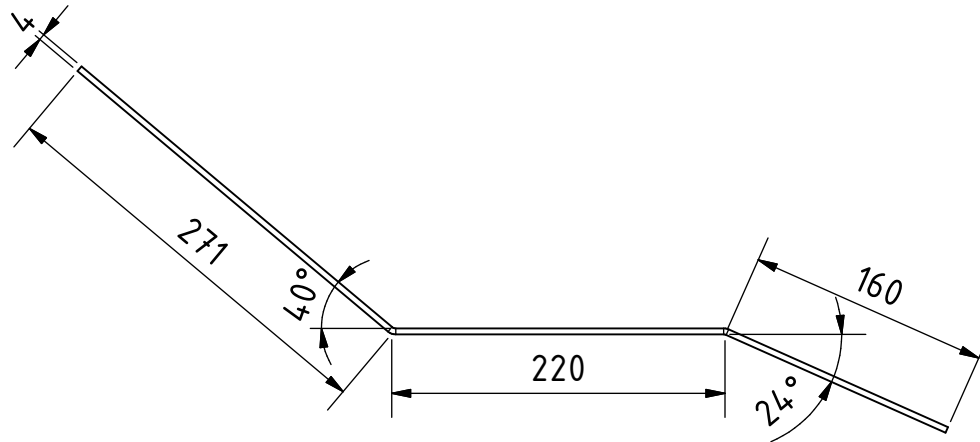
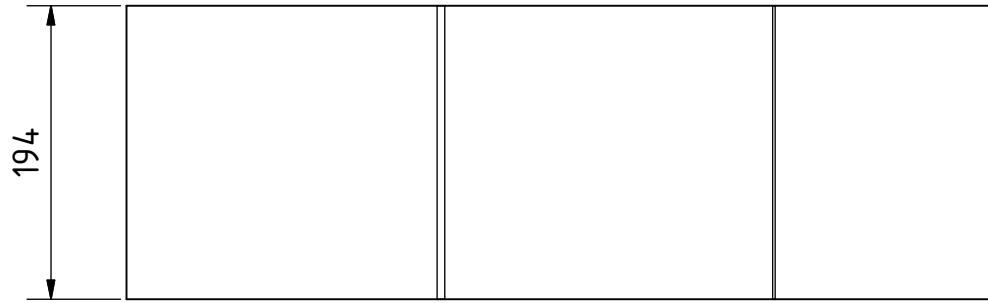
Symmetrical item

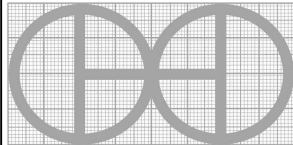
PROJECT	CREATED BY	APPROVED BY	DATE	VERSION
Vertical Drum Hemp Harvester	A. Morillo	D. Jaeger	22-05-2024	0.06
PART NAME	SPECIFICACIONES			CODE
Part 1.1.2	Steel 235J2			1.1.2
DEVELOPED BY	REDESIGNED BY	FILENAME		QTY
		1.1.1.ipt		2
		LICENSE	DOC. TYPE	SCALE
		CC-BY-SA 4.0	Part	1 : 5
				SHEET
				27 /215

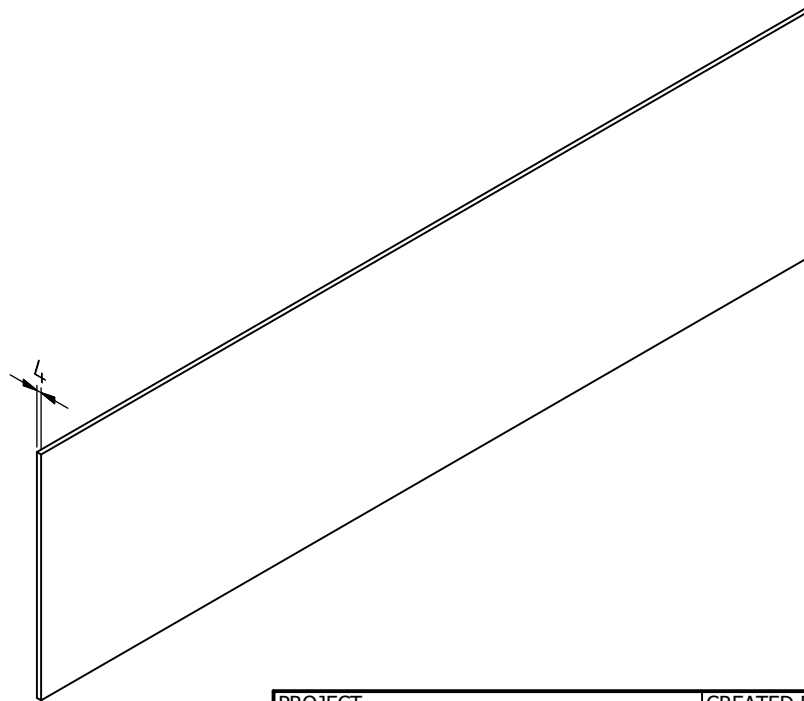
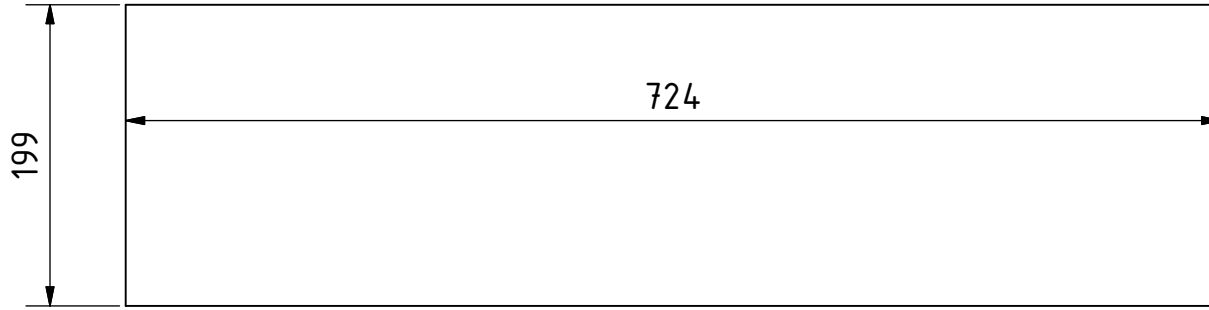


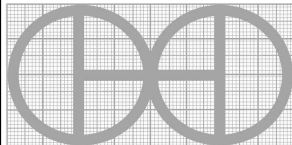
OHO e.V.

Hanfasser

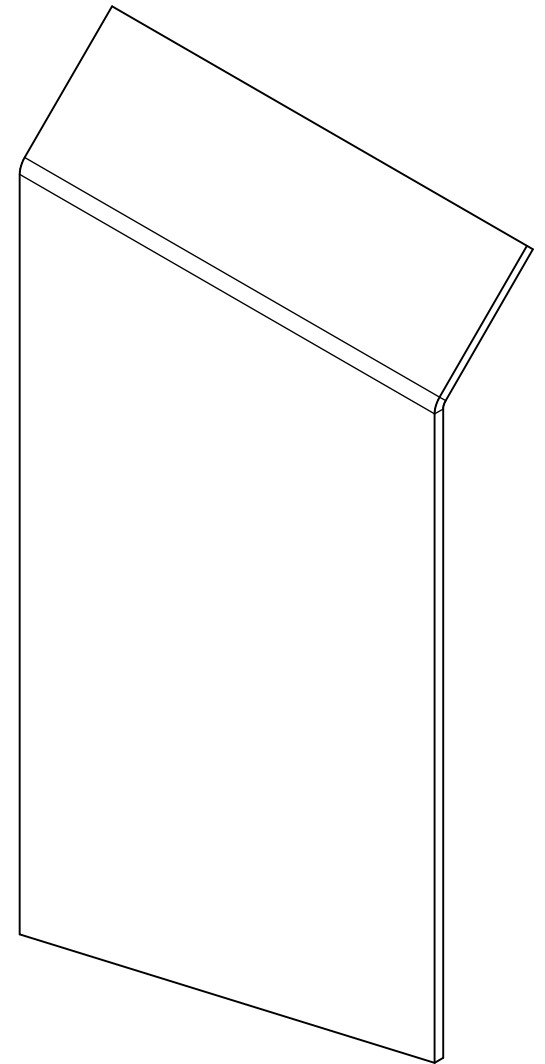
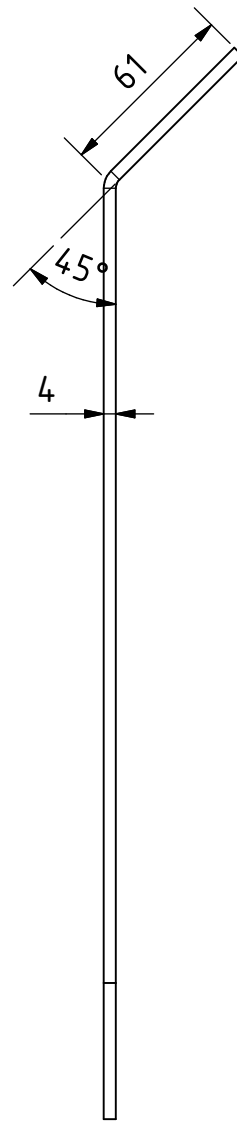
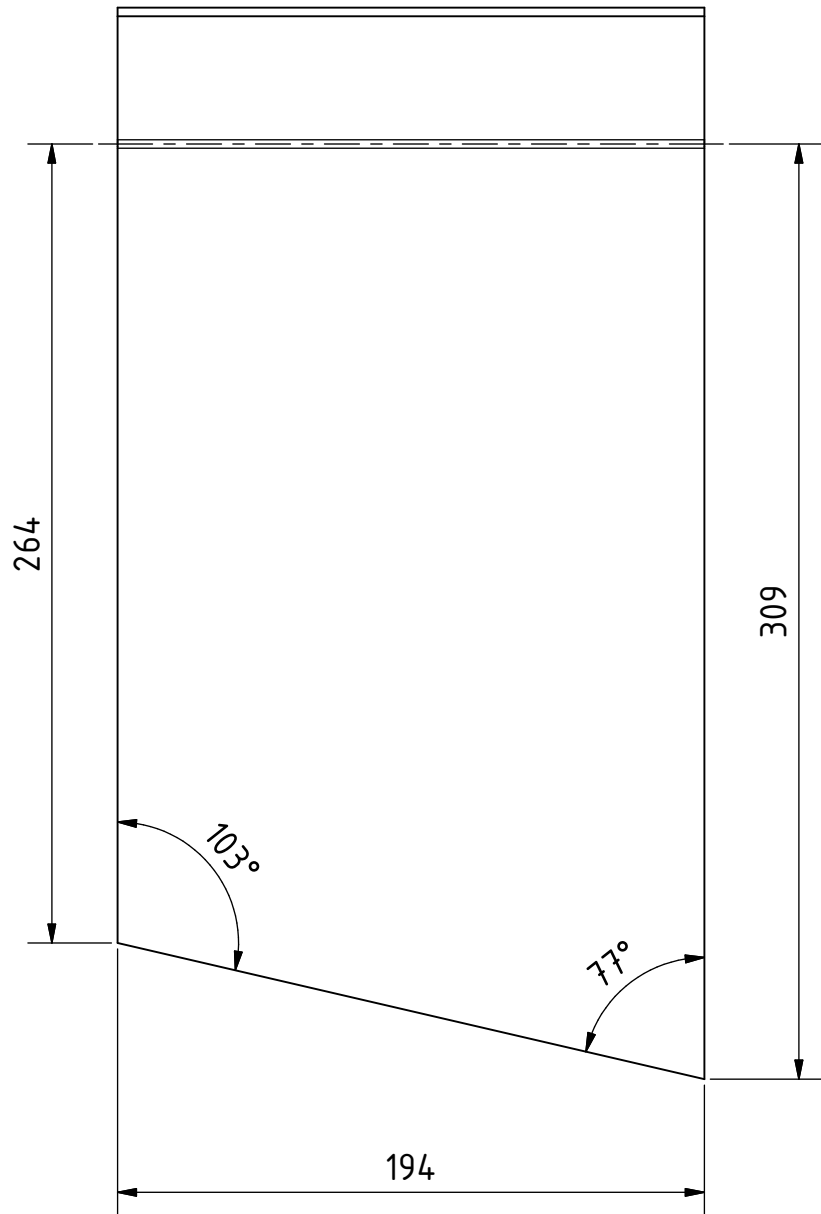


PROJECT	CREATED BY	APPROVED BY	DATE	VERSION	
Vertical Drum Hemp Harvester	A. Morillo	D. Jaeger	22-05-2024	0.06	
PART NAME	SPECIFICACIONES			CODE	
Part 1.1.3	Steel 235J2			1.1.3	
DEVELOPED BY	REDESIGNED BY	FILENAME		QTY	
Hanfasser		1.1.3.ipt		2	
		LICENSE	DOC. TYPE	SCALE	SHEET
		CC-BY-SA 4.0	Part	1 : 5	28 /215

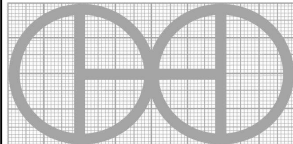


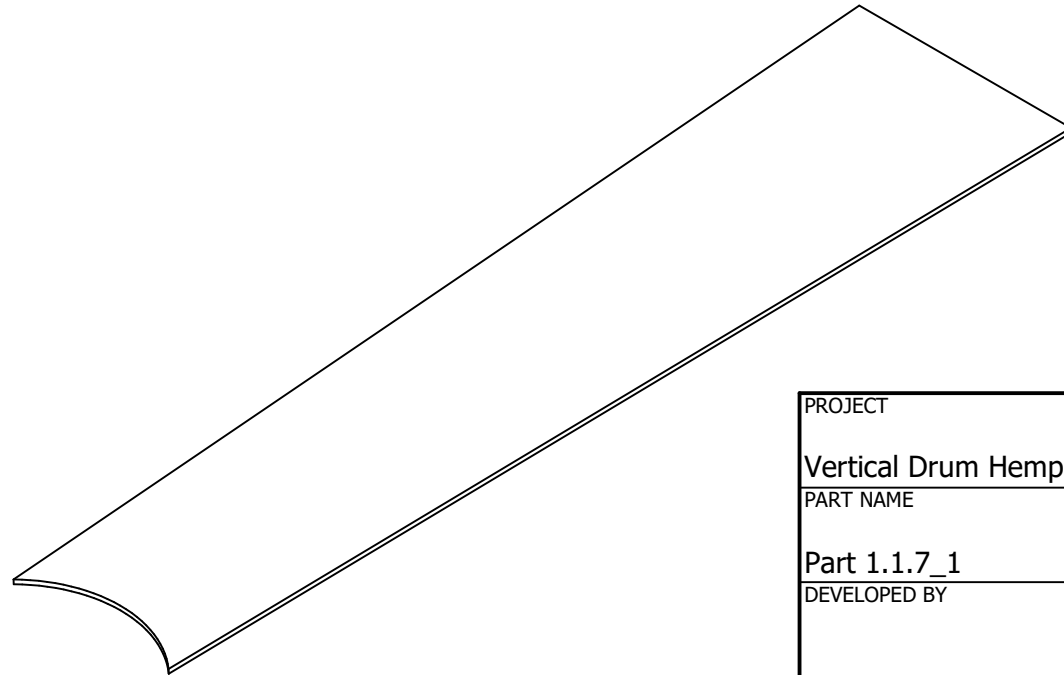
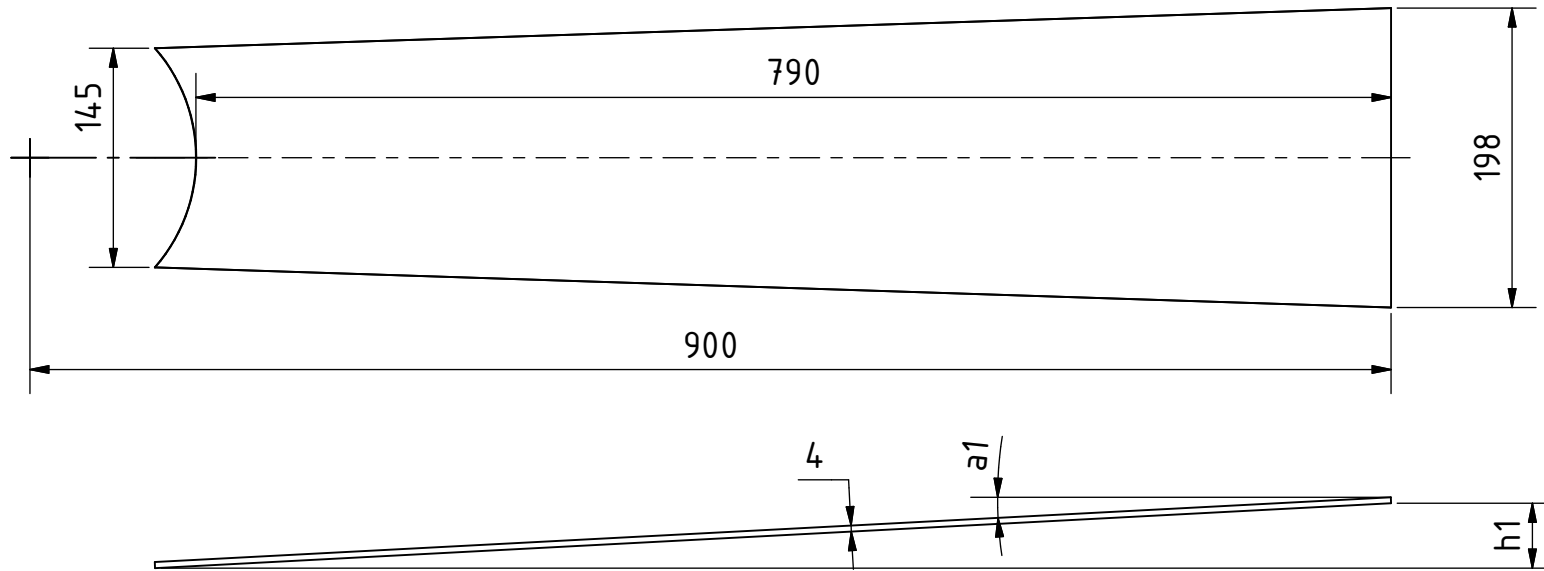
PROJECT	CREATED BY	APPROVED BY	DATE	VERSION	
Vertical Drum Hemp Harvester	A. Morillo	D. Jaeger	22-05-2024	0.06	
PART NAME	SPECIFICACIONES			CODE	
Part 1.1.4	Steel 235J2			1.1.4	
DEVELOPED BY	REDESIGNED BY	FILENAME		QTY	
Hanfasser		1.1.4.ipt		2	
		LICENSE	DOC. TYPE	SCALE	SHEET
		CC-BY-SA 4.0	Part	1 : 5	29 /215

OHO e.V.

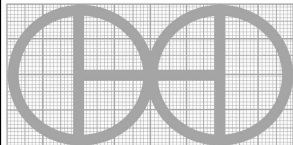


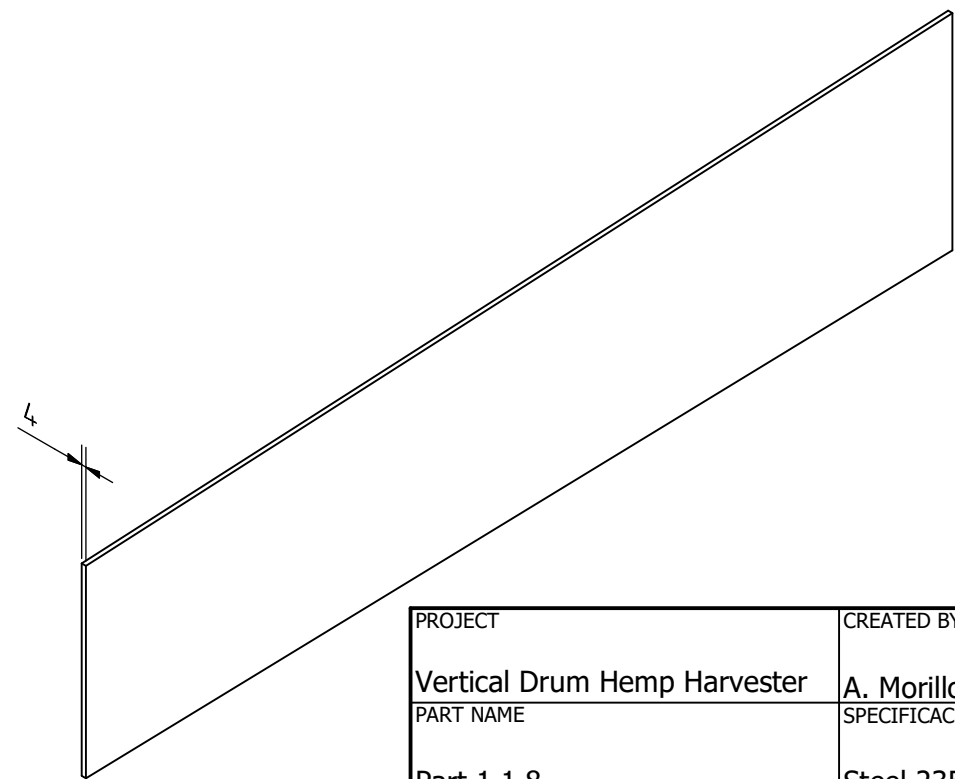
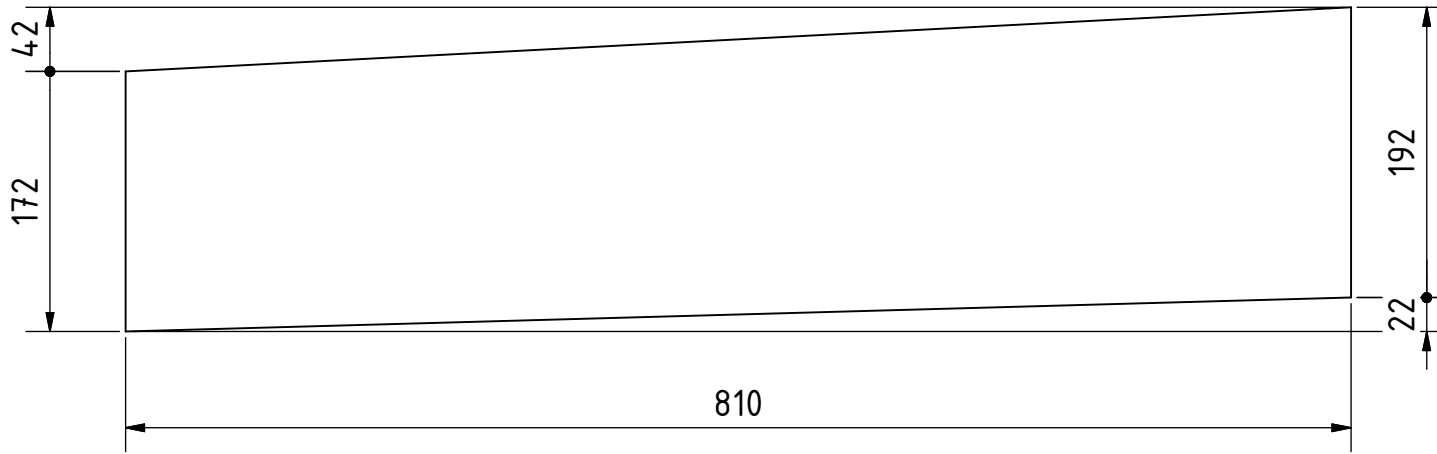
Symmetrical item

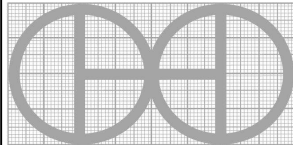
PROJECT	CREATED BY	APPROVED BY	DATE	VERSION	
Vertical Drum Hemp Harvester	A. Morillo	D. Jaeger	22-05-2024	0.06	
PART NAME	SPECIFICACIONES			CODE	
Part 1.1.5	Steel 235J2			1.1.5	
DEVELOPED BY	REDESIGNED BY	FILENAME		QTY	
Hanfasser		1.1.5.ipt		2	
		LICENSE	DOC. TYPE	SCALE	SHEET
		CC-BY-SA 4.0	Part	2:5	30 /215



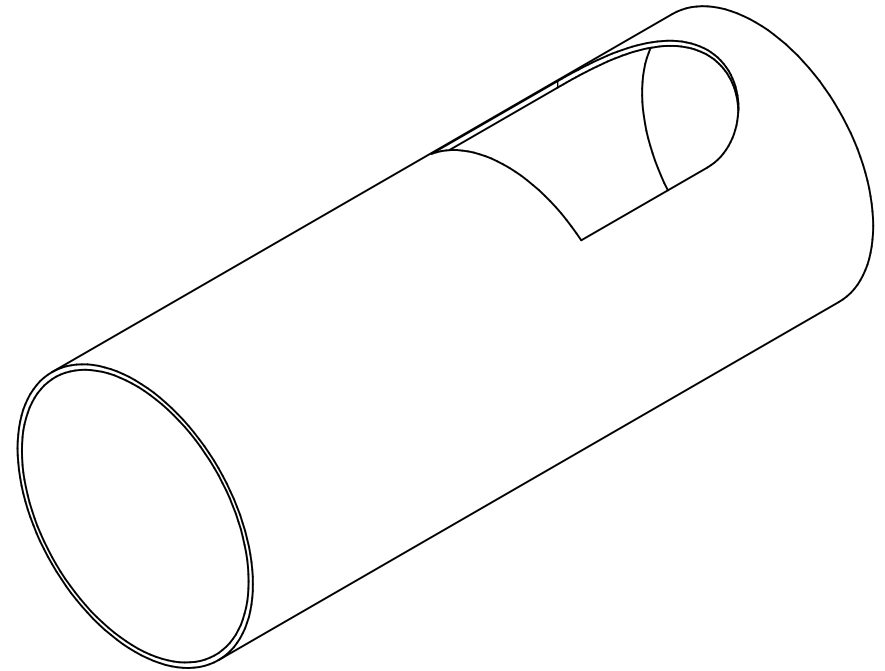
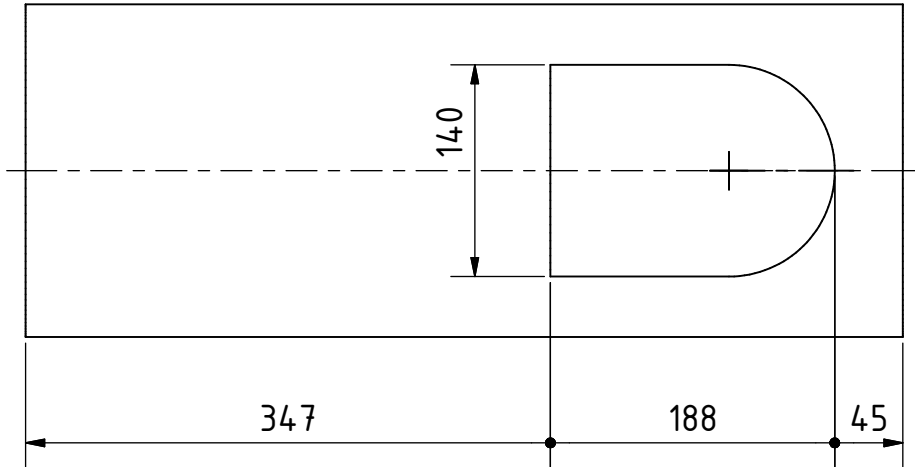
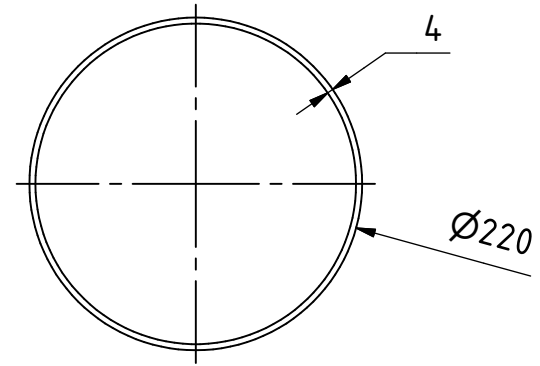
Size table		
Pos	a1	h1
1.1.7_1	3°	43mm
1.1.7_2	2°	22.7mm

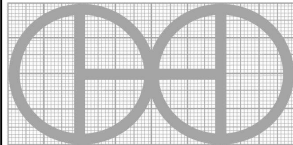
PROJECT	CREATED BY	APPROVED BY	DATE	VERSION	
Vertical Drum Hemp Harvester	A. Morillo	D. Jaeger	22-05-2024	0.06	
PART NAME	SPECIFICACIONES			CODE	
Part 1.1.7_1	Steel 235J2			1.1.7	
DEVELOPED BY	REDESIGNED BY	FILENAME		QTY	
Hanfasser		1.1.7_A.ipt		2	
		LICENSE	DOC. TYPE	SCALE	SHEET
		CC-BY-SA 4.0	Part	1:5	31 /215

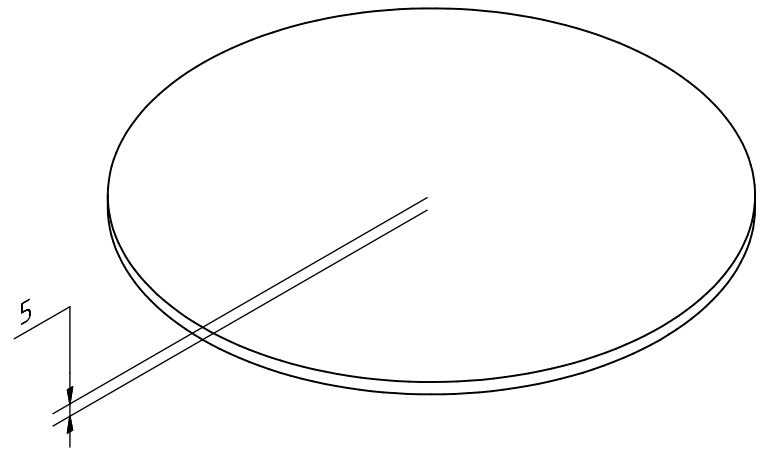
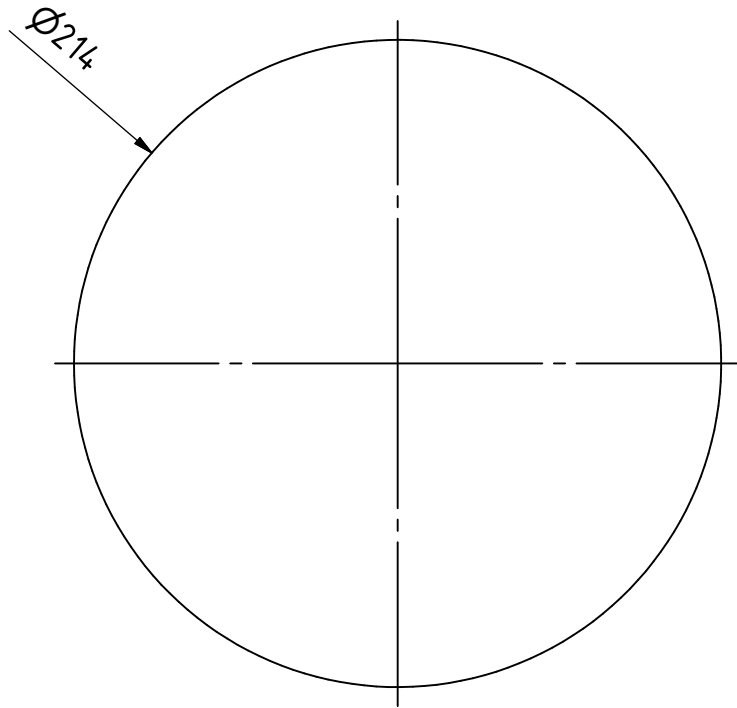


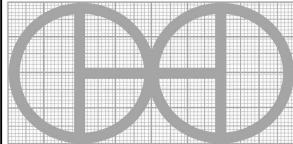
PROJECT	CREATED BY	APPROVED BY	DATE	VERSION	
Vertical Drum Hemp Harvester	A. Morillo	D. Jaeger	22-05-2024	0.06	
PART NAME	SPECIFICACIONES			CODE	
Part 1.1.8	Steel 235J2			1.1.8	
DEVELOPED BY	REDESIGNED BY	FILENAME		QTY	
Hanfasser		1.1.8.ipt		4	
		LICENSE	DOC. TYPE	SCALE	SHEET
		CC-BY-SA 4.0	Part	1:5	32 /215

OHO e.V.

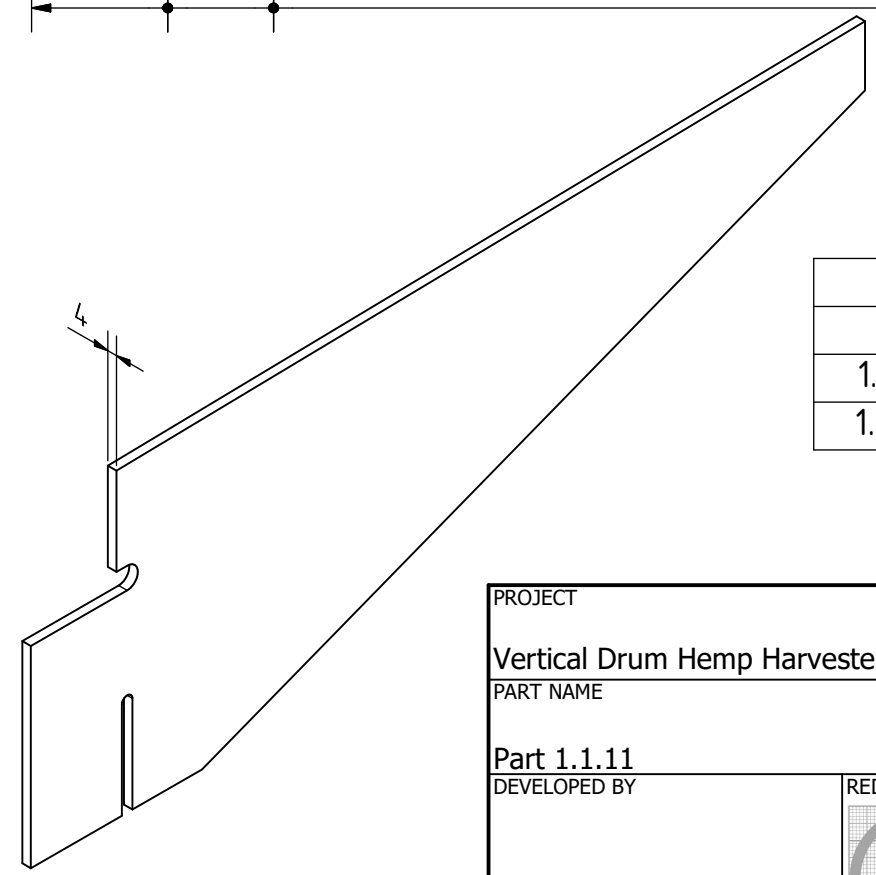
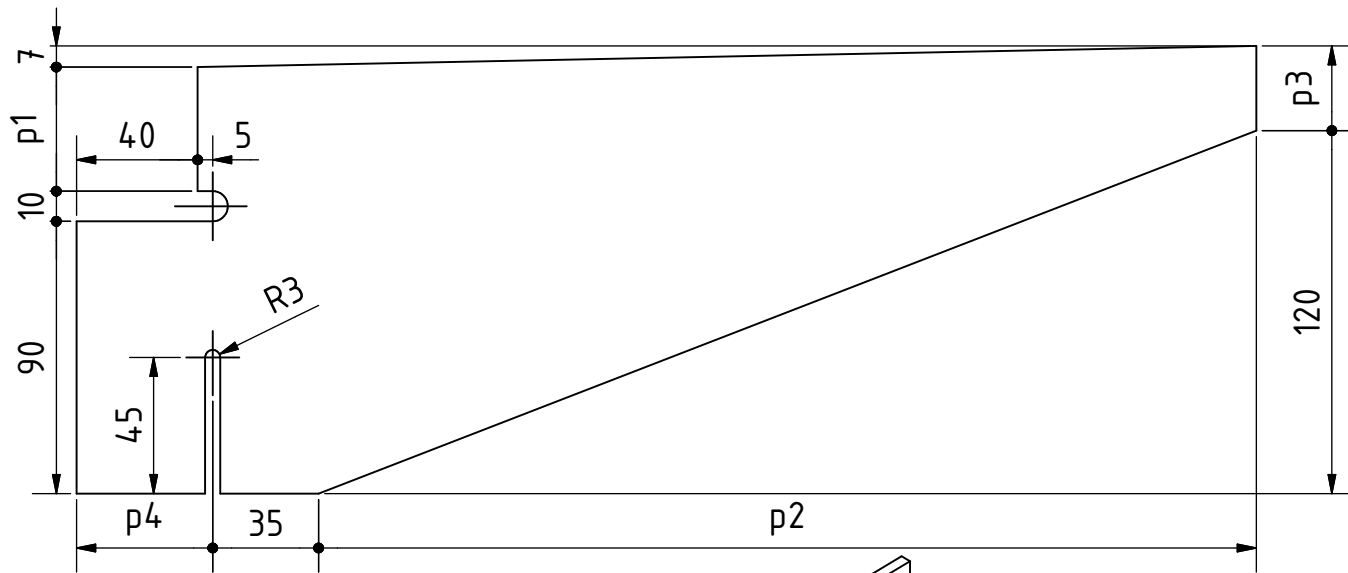


PROJECT	CREATED BY	APPROVED BY	DATE	VERSION	
Vertical Drum Hemp Harvester	A. Morillo	D. Jaeger	22-05-2024	0.06	
PART NAME	SPECIFICACIONES			CODE	
Part 1.1.9	Steel 235J2			1.1.9	
DEVELOPED BY	REDESIGNED BY	FILENAME		QTY	
Hanfasser		1.1.9.ipt		2	
		LICENSE	DOC. TYPE	SCALE	SHEET
		CC-BY-SA 4.0	Part	1:5	33 /215



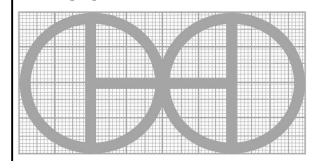
PROJECT	CREATED BY	APPROVED BY	DATE	VERSION	
Vertical Drum Hemp Harvester	A. Morillo	D. Jaeger	22-05-2024	0.06	
PART NAME	SPECIFICACIONES			CODE	
Part 1.1.10	Steel 235J2			1.1.10	
DEVELOPED BY	REDESIGNED BY	FILENAME		QTY	
Hanfasser		1.1.10.ipt		2	
		LICENSE	DOC. TYPE	SCALE	SHEET
		CC-BY-SA 4.0	Part	2 : 5	34 / 215

OHO e.V.



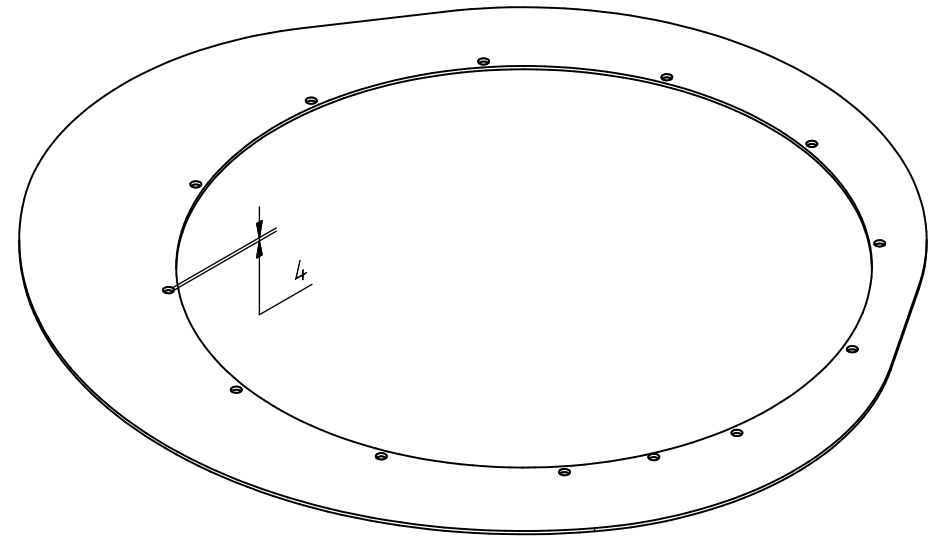
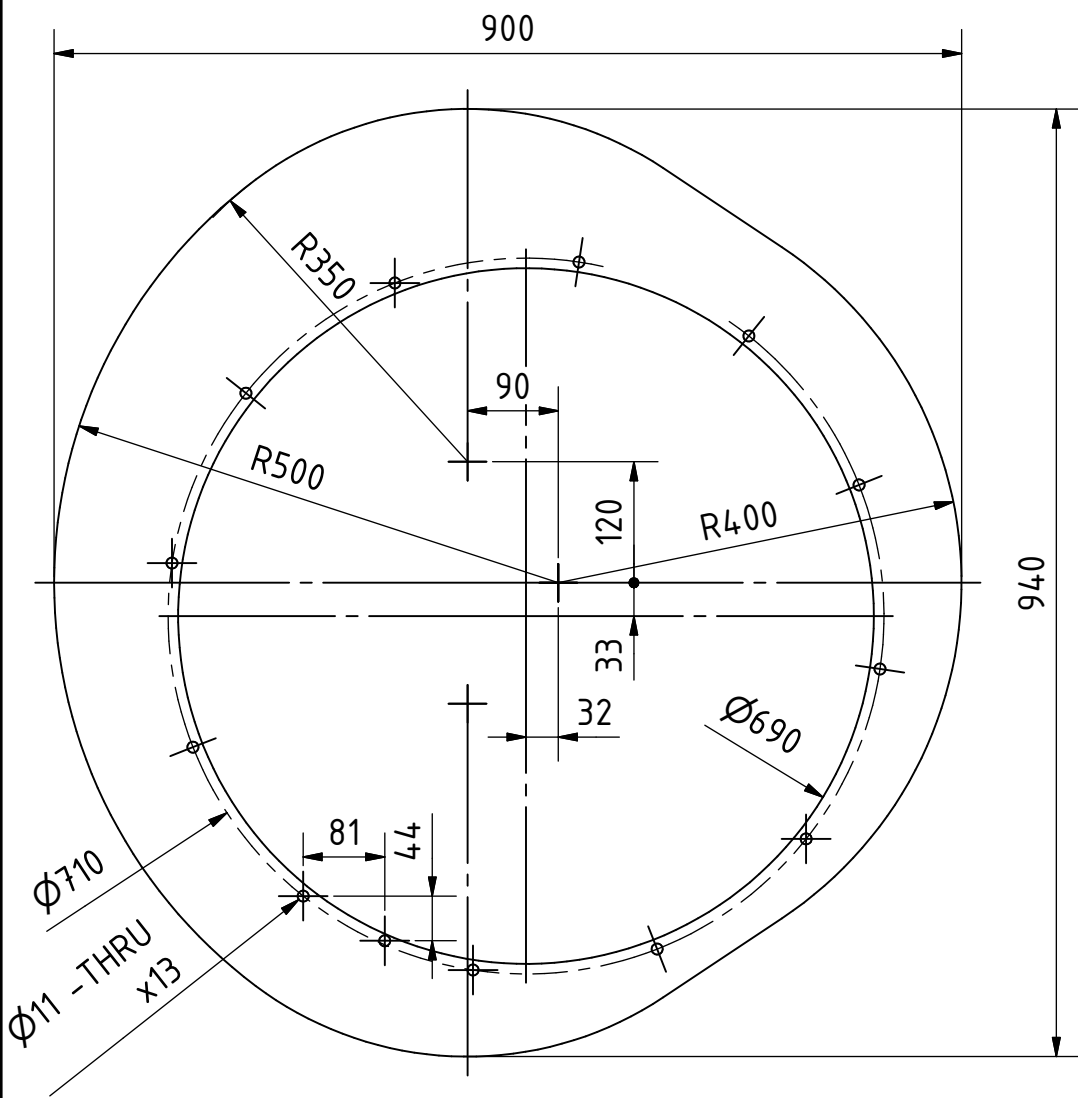
Size table				
Pos	p1	p2	p3	p4
1.1.11_1	41 mm	310 mm	28 mm	45 mm
1.1.11_2	40 mm	305 mm	27 mm	77 mm

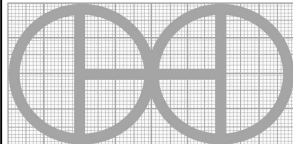
PROJECT	CREATED BY	APPROVED BY	DATE	VERSION
Vertical Drum Hemp Harvester	A. Morillo	D. Jaeger	22-05-2024	0.06
PART NAME	SPECIFICACIONES			CODE
Part 1.1.11	Steel 235J2			1.1.11
DEVELOPED BY	REDESIGNED BY	FILENAME		QTY
		1.1.11.ipt		4
		LICENSE	DOC. TYPE	SCALE
		CC-BY-SA 4.0	Part	1 : 2
				SHEET
				35 /215

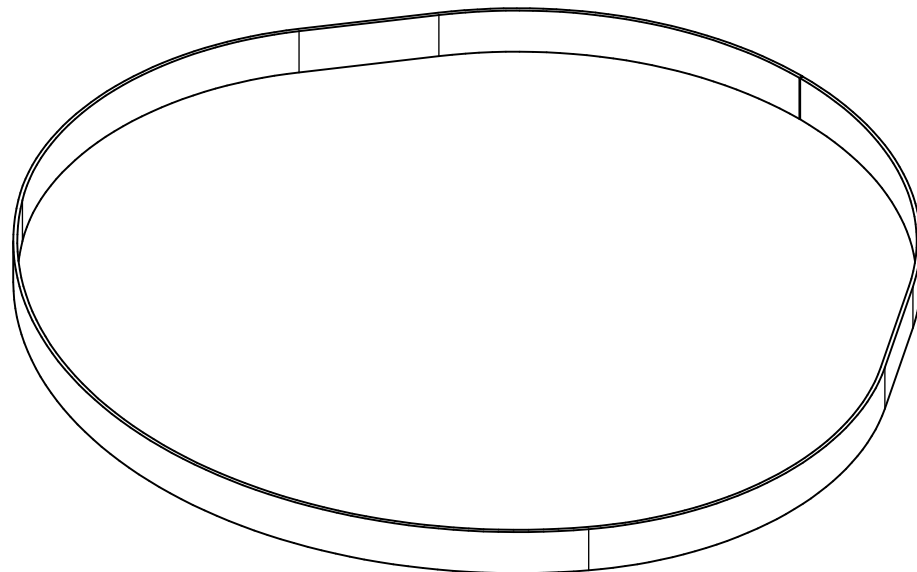
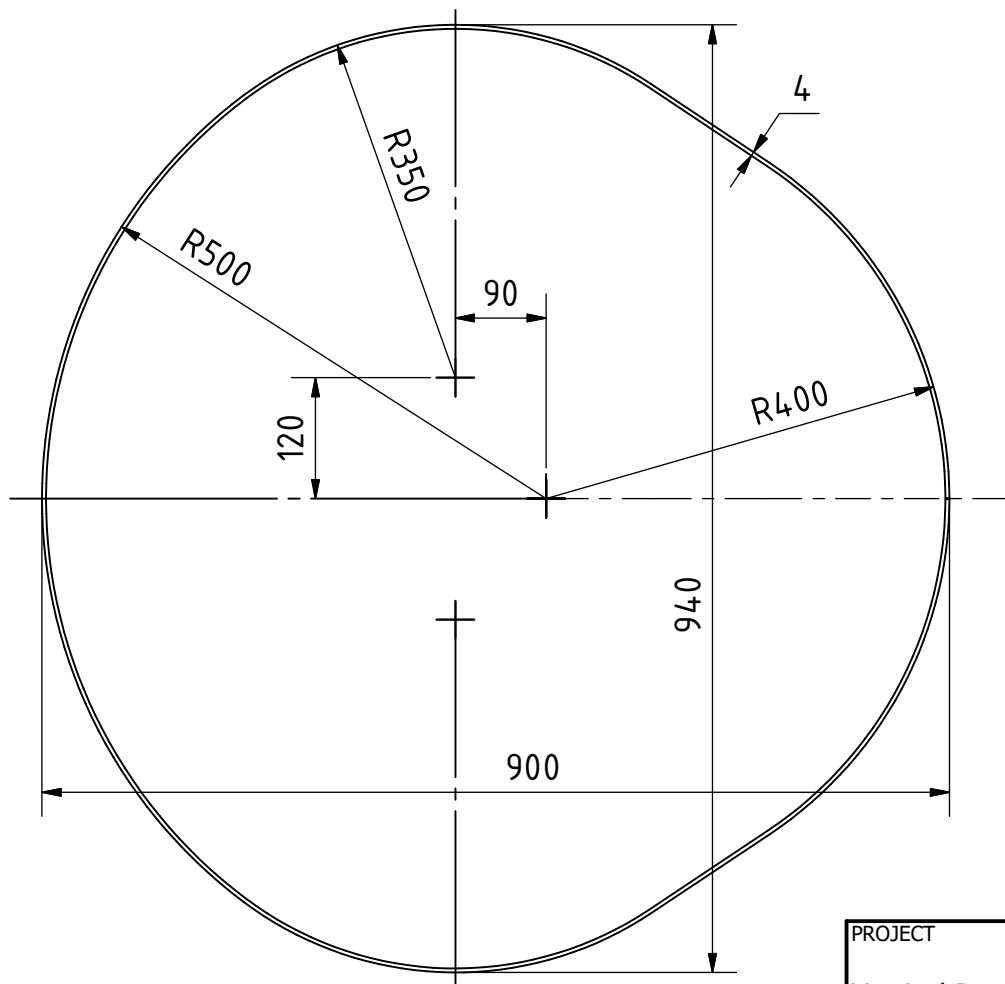
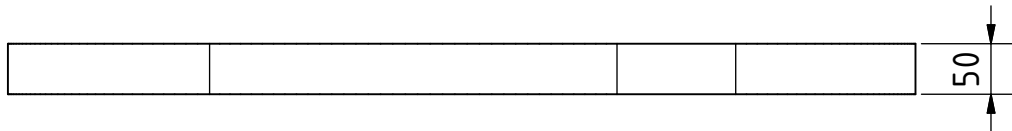


OHO e.V.

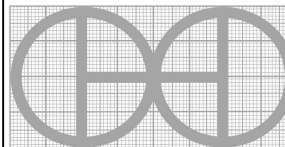
Hanfasser



PROJECT	CREATED BY	APPROVED BY	DATE	VERSION
Vertical Drum Hemp Harvester	A. Morillo	D. Jaeger	22-05-2024	0.06
PART NAME	SPECIFICACIONES			CODE
Part 1.1.12	Steel 235J2			1.1.12
DEVELOPED BY	REDESIGNED BY	FILENAME		QTY
		1.1.12.ipt		4
		LICENSE	DOC. TYPE	SCALE
Hanfasser		CC-BY-SA 4.0	Part	2 : 15
				SHEET
				36 /215

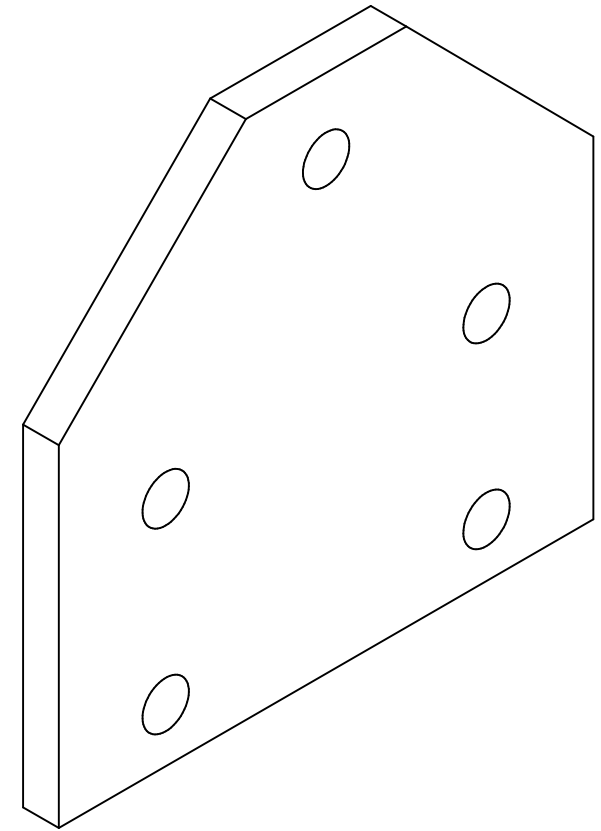
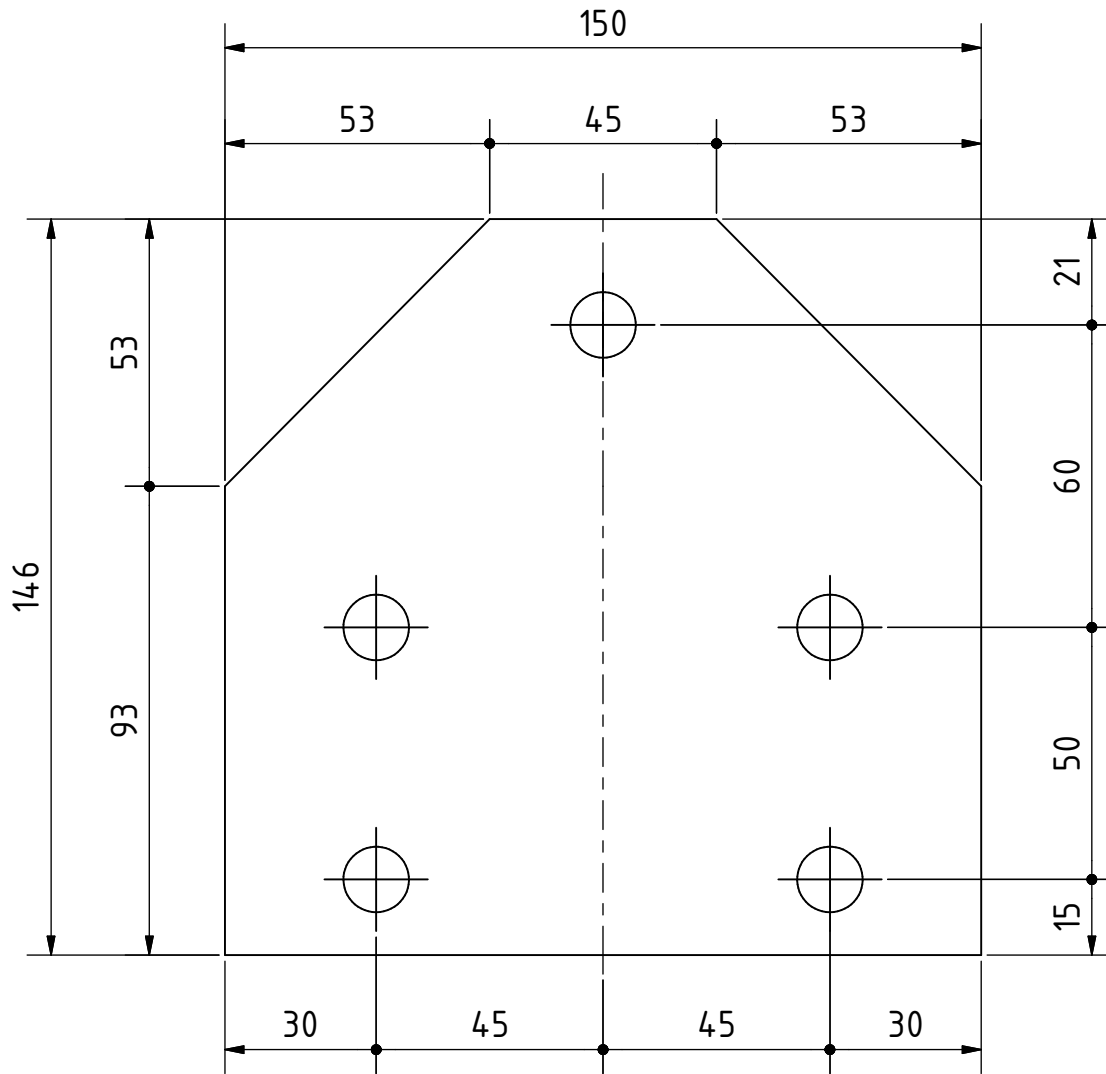


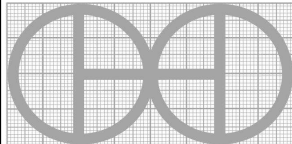
PROJECT	CREATED BY	APPROVED BY	DATE	VERSION
Vertical Drum Hemp Harvester	A. Morillo	D. Jaeger	22-05-2024	0.06
PART NAME	SPECIFICACIONES			CODE
Part 1.1.13	Flat bar 50*4 mm			1.1.13
DEVELOPED BY	REDESIGNED BY	FILENAME		QTY
		1.1.13.ipt		2
		LICENSE	DOC. TYPE	SCALE
		CC-BY-SA 4.0	Part	2 : 15
				SHEET
				37 /215

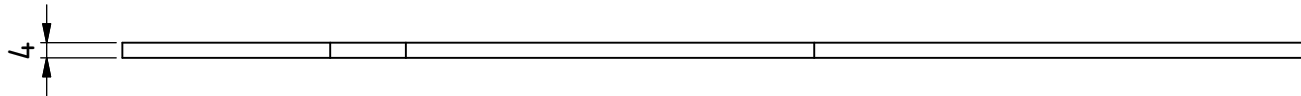
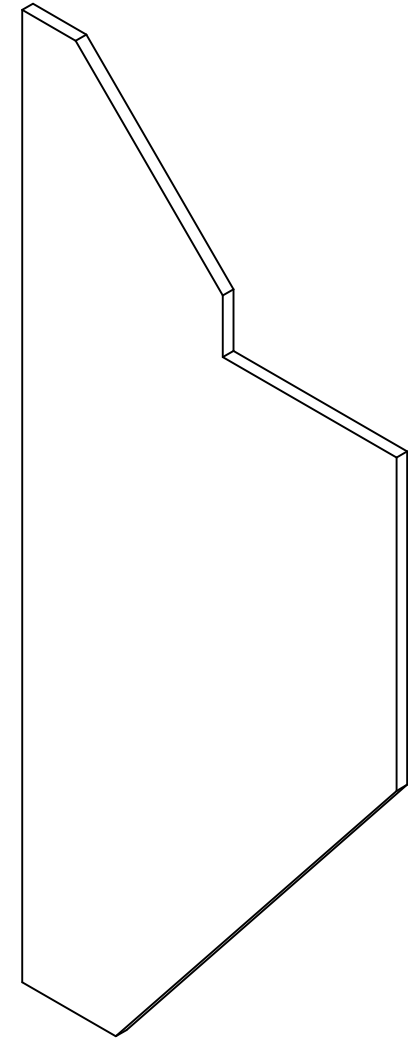
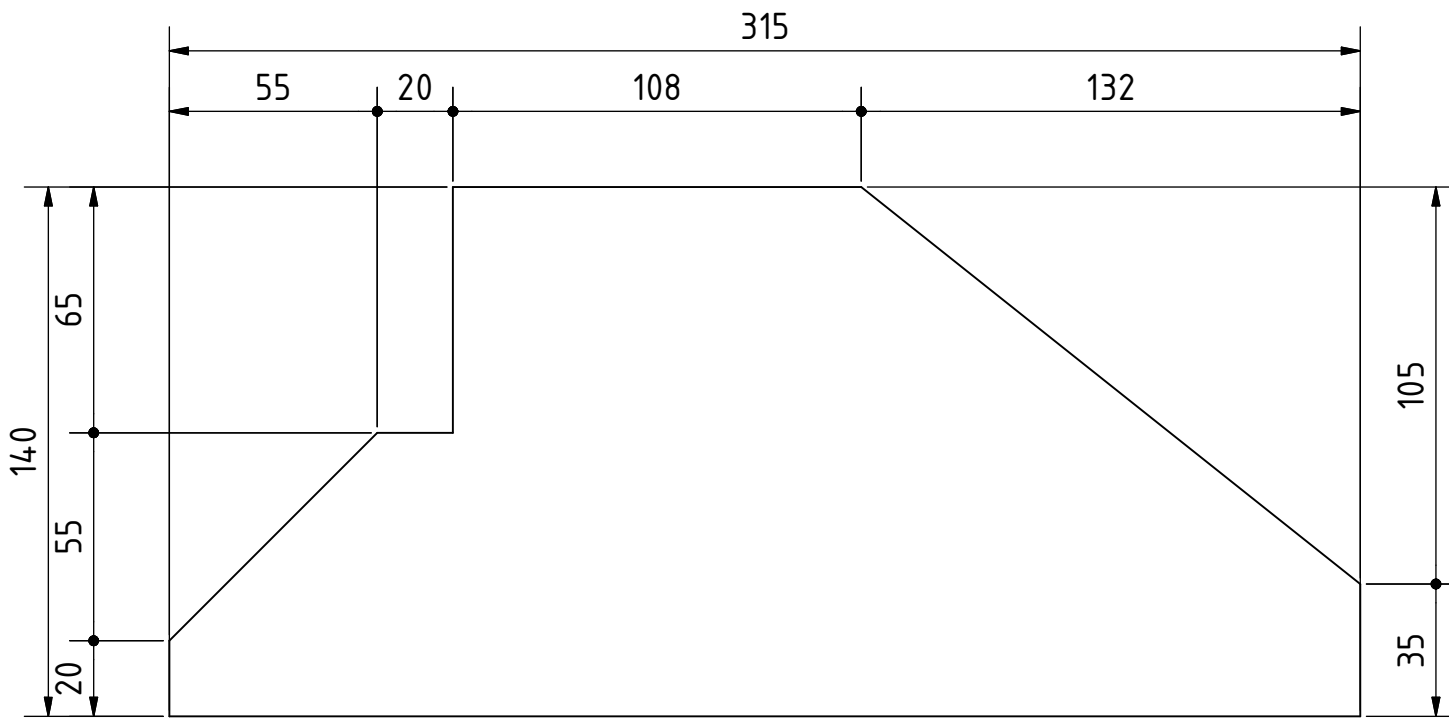


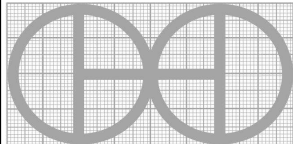
OHO e.V.

Hanfasser

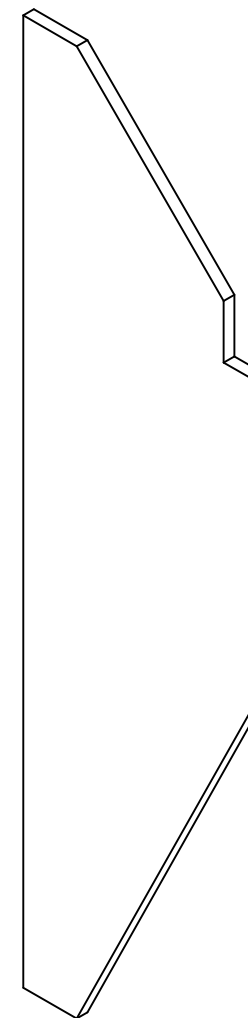
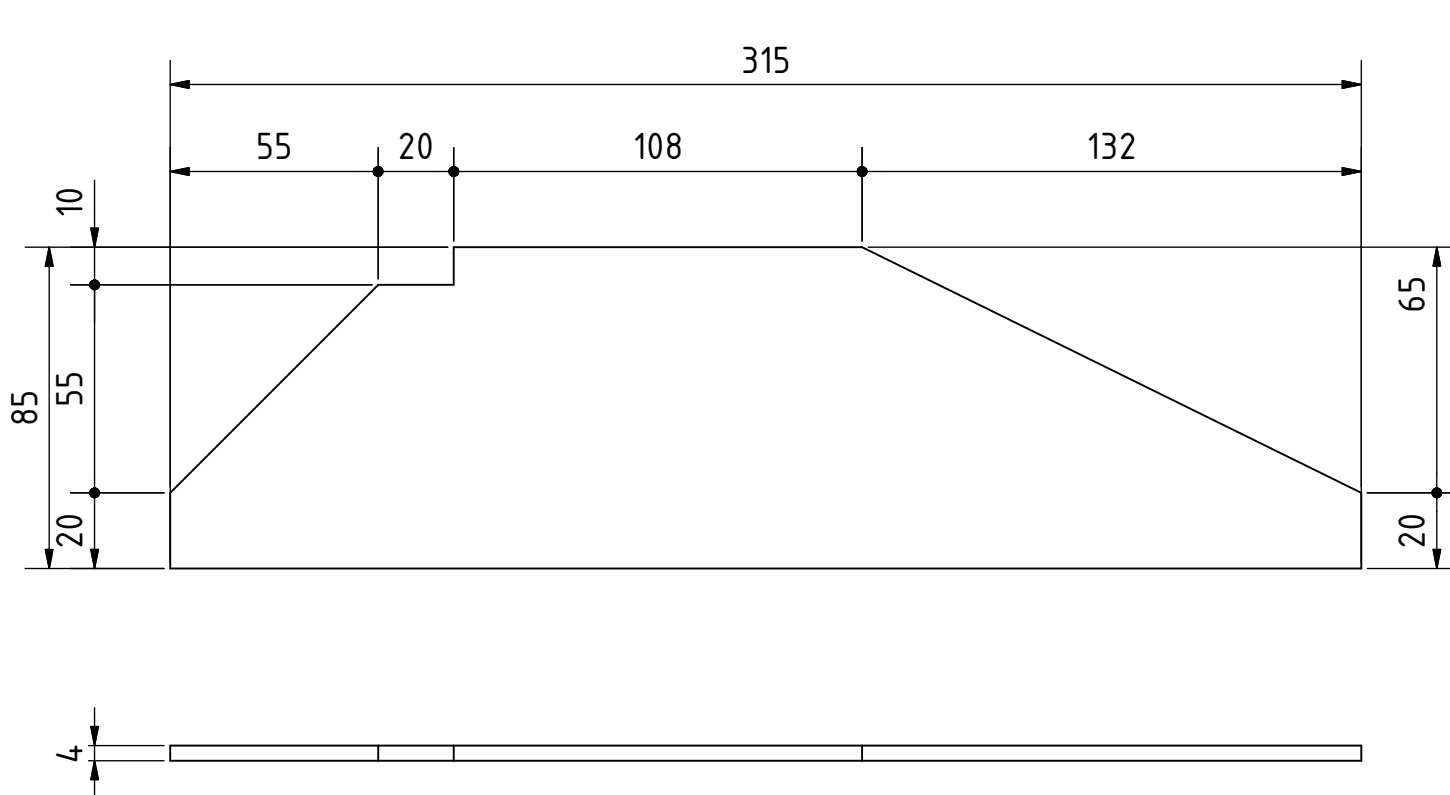


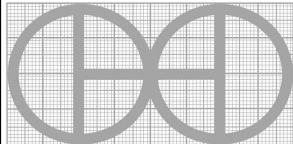
PROJECT	CREATED BY	APPROVED BY	DATE	VERSION
Vertical Drum Hemp Harvester	A. Morillo	D. Jaeger	22-05-2024	0.06
PART NAME	SPECIFICACIONES			CODE
Part 1.1.14	Steel 235J2			1.1.14
DEVELOPED BY	REDESIGNED BY	FILENAME		QTY
		1.1.14.ipt		6
Hanfasser		LICENSE	DOC. TYPE	SCALE
		CC-BY-SA 4.0	Part	2 : 3
				SHEET
				38 /215

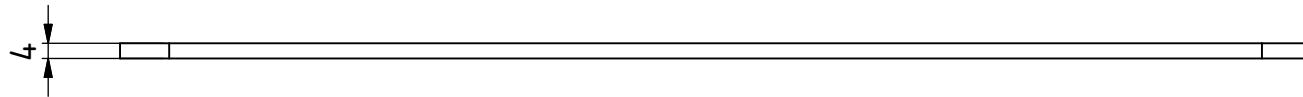
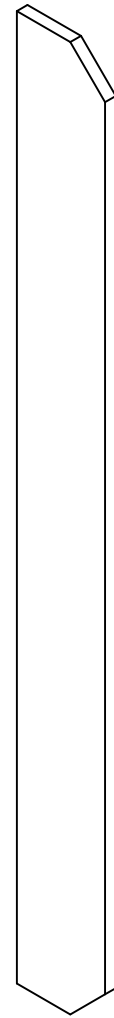
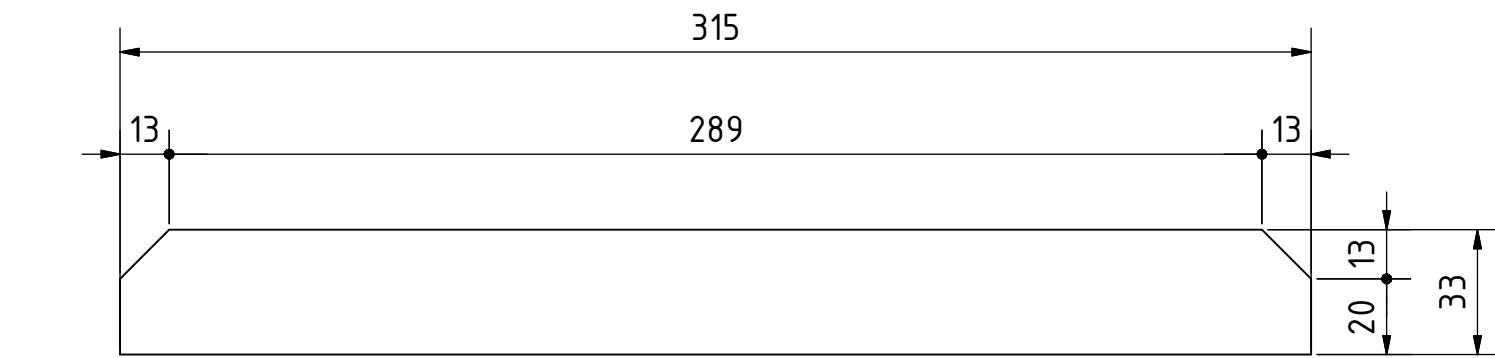


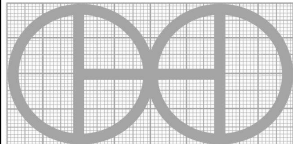
PROJECT	CREATED BY	APPROVED BY	DATE	VERSION
Vertical Drum Hemp Harvester	A. Morillo	D. Jaeger	22-05-2024	0.06
PART NAME	SPECIFICACIONES			CODE
Part 1.1.15	Steel 235J2			1.1.15
DEVELOPED BY	REDESIGNED BY	FILENAME		QTY
		1.1.15.ipt		8
Hanfasser		LICENSE	DOC. TYPE	SHEET
		CC-BY-SA 4.0	Part	1 : 2 39 /215

OHO e.V.

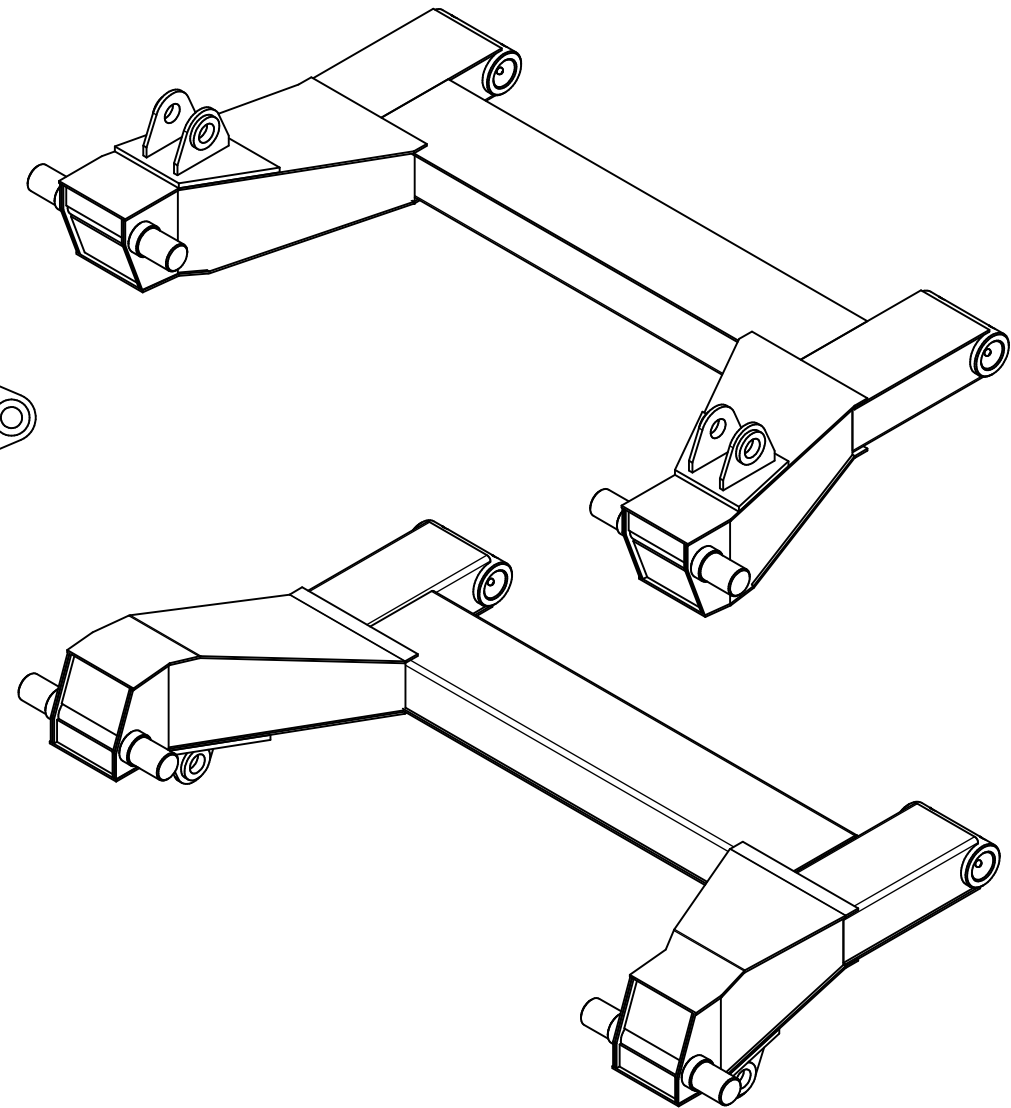
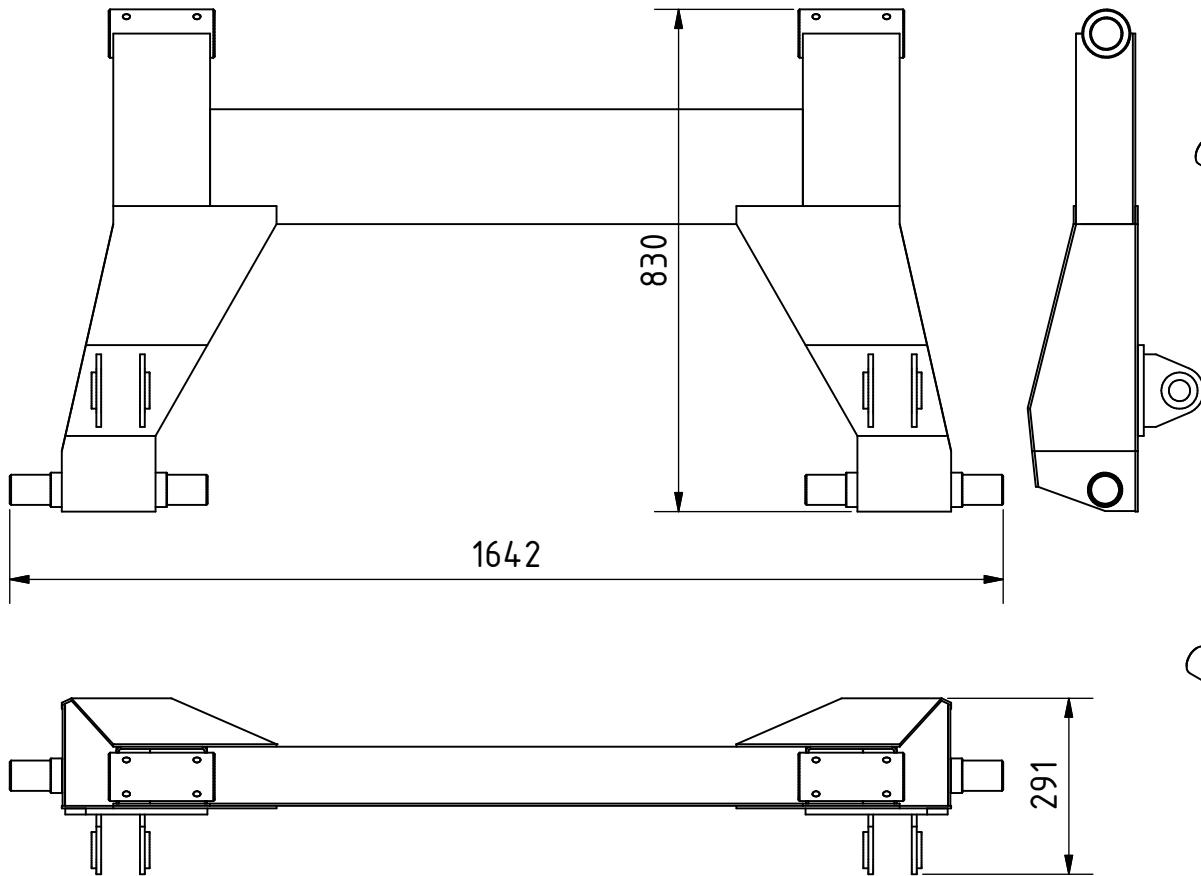


PROJECT	CREATED BY	APPROVED BY	DATE	VERSION	
Vertical Drum Hemp Harvester	A. Morillo	D. Jaeger	22-05-2024	0.06	
PART NAME	SPECIFICACIONES			CODE	
Part 1.1.15	Steel 235J2			1.1.15	
DEVELOPED BY	REDESIGNED BY	FILENAME		QTY	
Hanfasser		1.1.15.ipt		8	
		LICENSE	DOC. TYPE	SCALE	SHEET
		CC-BY-SA 4.0	Part	1 : 2	40 /215

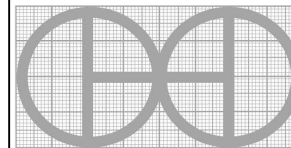


PROJECT	CREATED BY	APPROVED BY	DATE	VERSION	
Vertical Drum Hemp Harvester	A. Morillo	D. Jaeger	22-05-2024	0.06	
PART NAME	SPECIFICACIONES			CODE	
Part 1.1.15	Steel 235J2			1.1.15	
DEVELOPED BY	REDESIGNED BY	FILENAME		QTY	
Hanfasser		1.1.15.ipt		8	
		LICENSE	DOC. TYPE	SCALE	SHEET
		CC-BY-SA 4.0	Part	1 : 2	41 /215

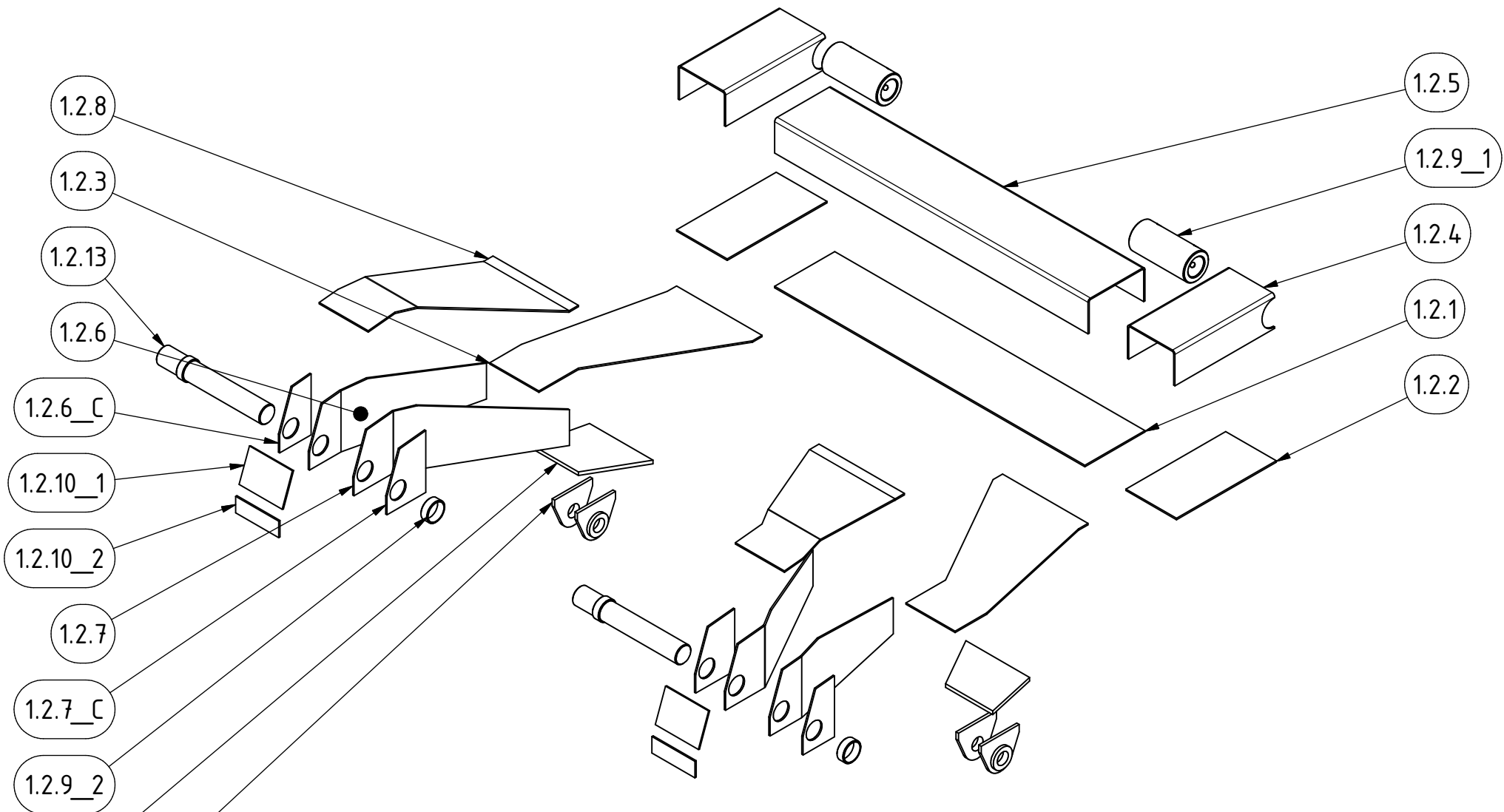
OHO e.V.

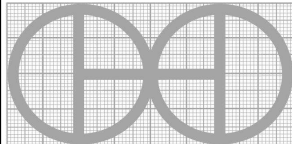


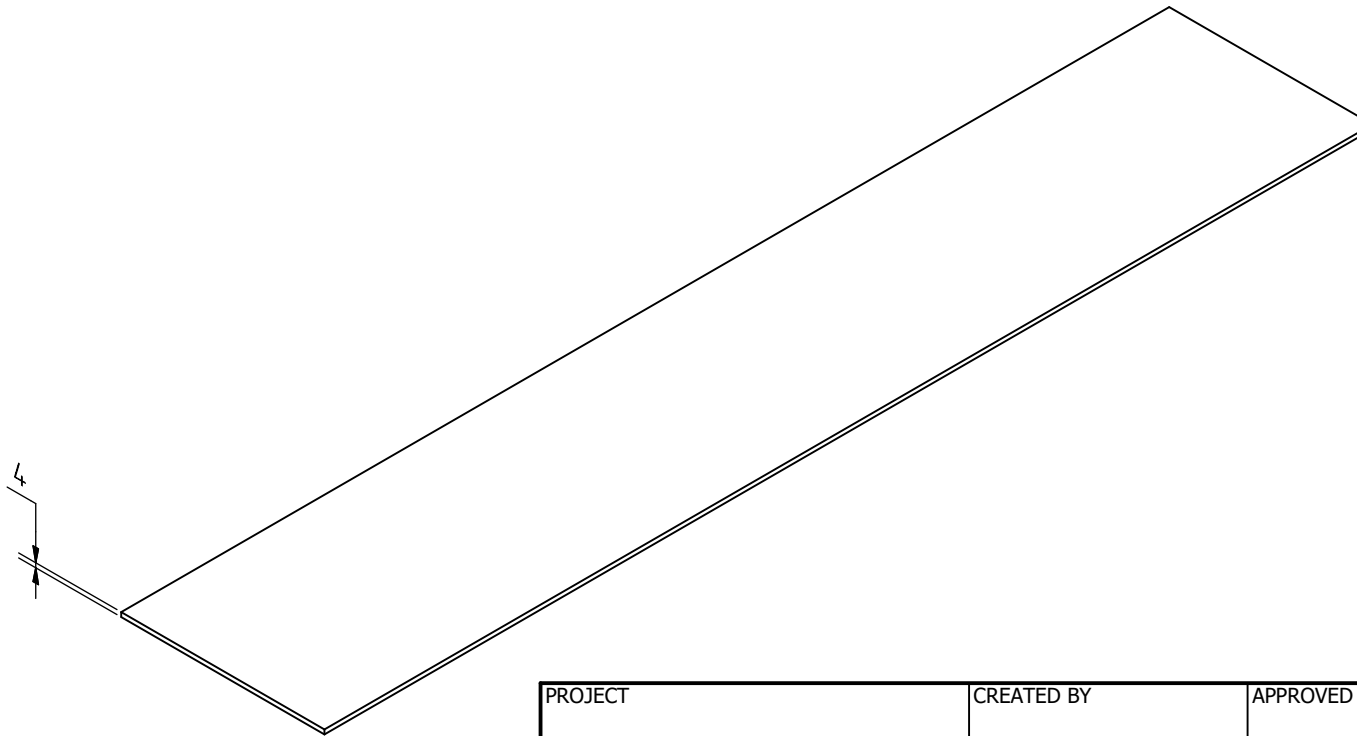
PROJECT	CREATED BY	APPROVED BY	DATE	VERSION
Vertical Drum Hemp Harvester	A. Morillo	D. Jaeger	22-05-2024	0.06
PART NAME	SPECIFICACIONES			CODE
Upper handlebar				1.2.0
DEVELOPED BY	REDESIGNED BY	FILENAME		QTY
		1.2.iam		1
		LICENSE	DOC. TYPE	SCALE
		CC-BY-SA 4.0	Assembly	2 : 25
Hanfasser				43 /215

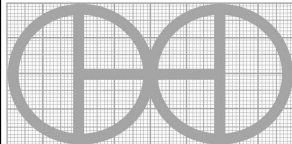


OHO e.V.

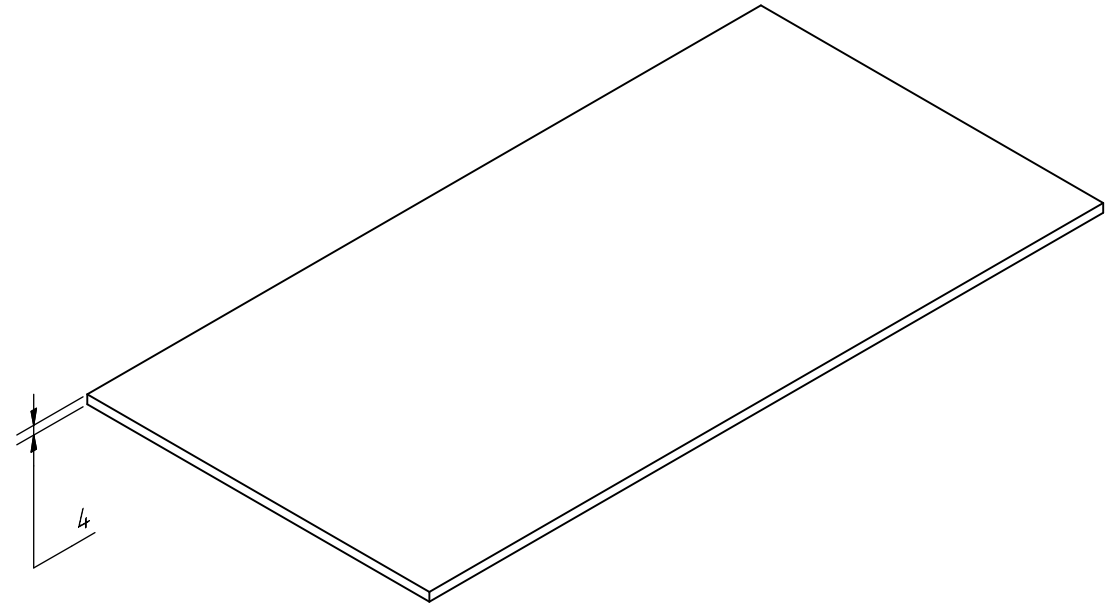
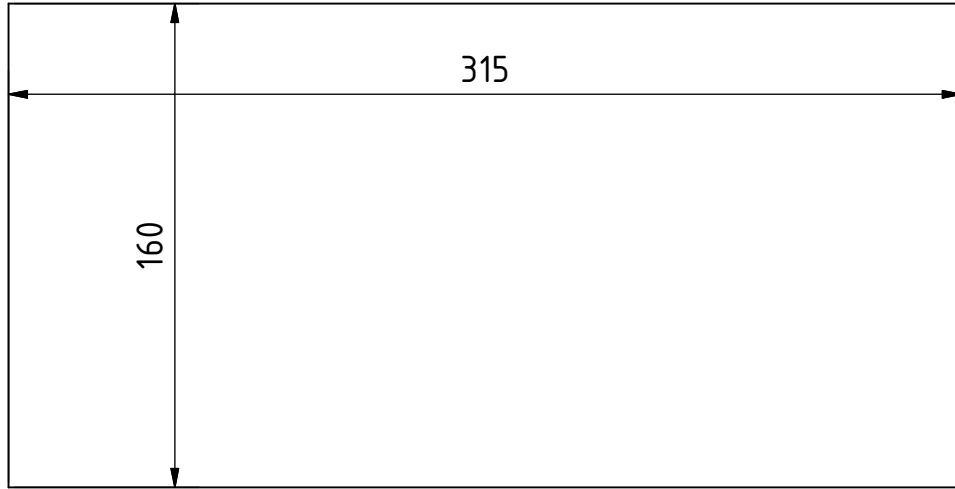


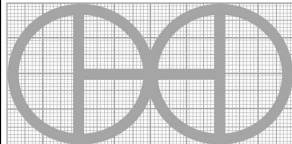
PROJECT		CREATED BY		APPROVED BY		DATE		VERSION		
Vertical Drum Hemp Harvester		A. Morillo		D. Jaeger		22-05-2024		0.06		
PART NAME			SPECIFICACIONES					CODE		
Upper handlebar								1.2.0		
DEVELOPED BY			REDESIGNED BY		FILENAME			QTY		
Hanfasser					1.2.ipn			1		
			OHO e.V.		LICENSE		DOC. TYPE		SCALE	SHEET
					CC-BY-SA 4.0		Assembly		2 : 25	44 /215



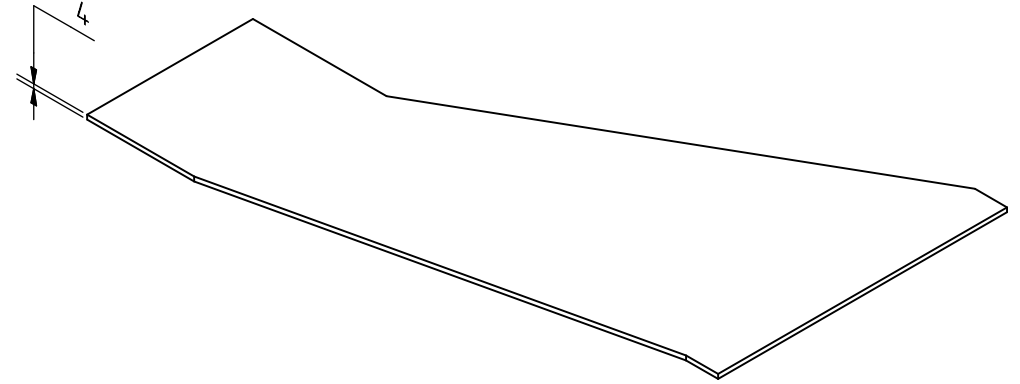
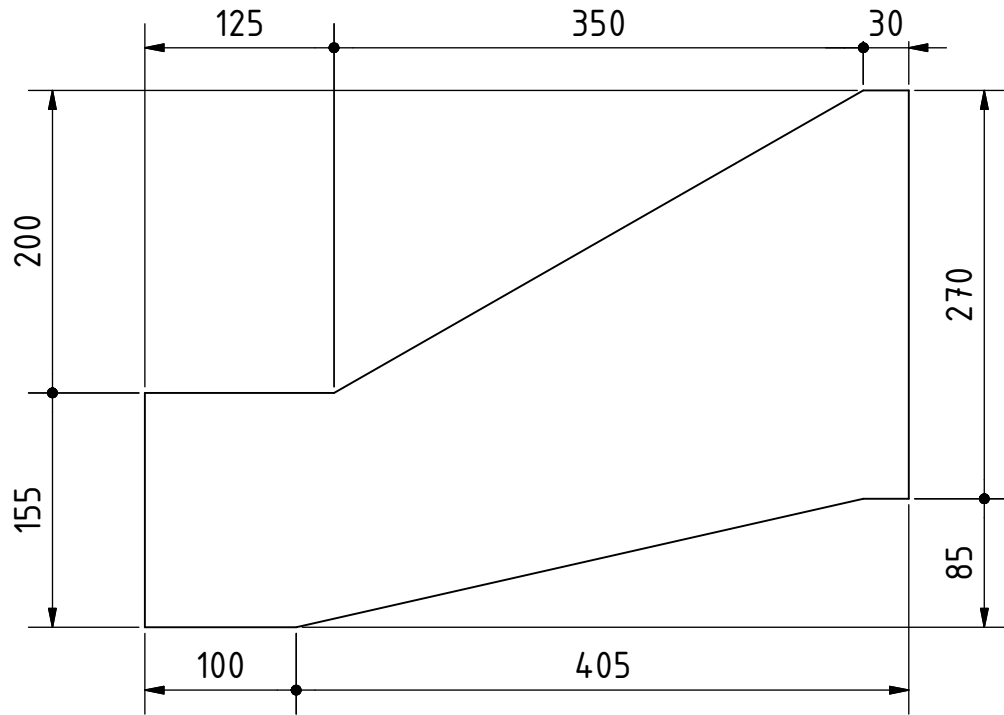
PROJECT	CREATED BY	APPROVED BY	DATE	VERSION	
Vertical Drum Hemp Harvester	A. Morillo	D. Jaeger	22-05-2024	0.06	
PART NAME	SPECIFICACIONES			CODE	
Part 1.2.1	Steel 235J2			1.2.1	
DEVELOPED BY	REDESIGNED BY	FILENAME		QTY	
Hanfasser		1.2.1.ipt		1	
		LICENSE	DOC. TYPE	SCALE	SHEET
		CC-BY-SA 4.0	Part	1 : 5	45 /215

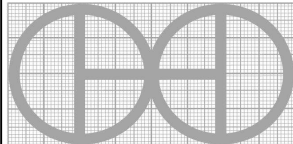
OHO e.V.



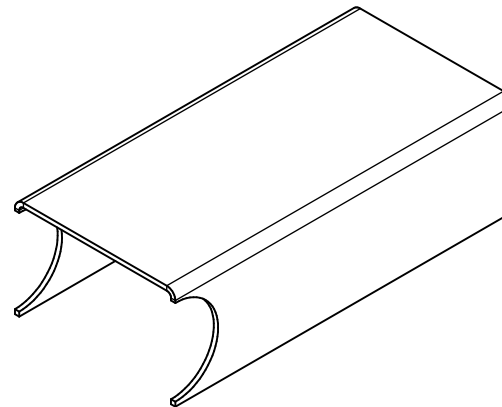
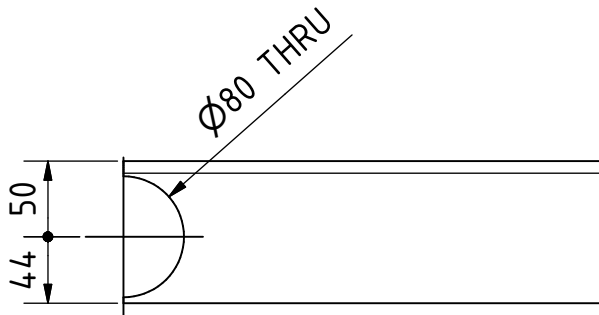
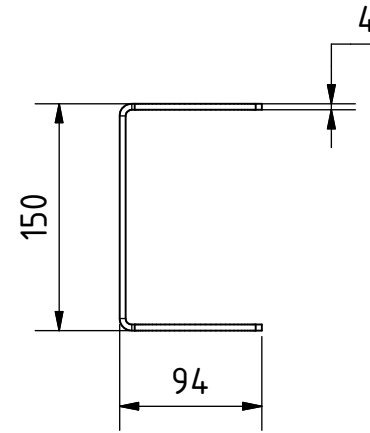
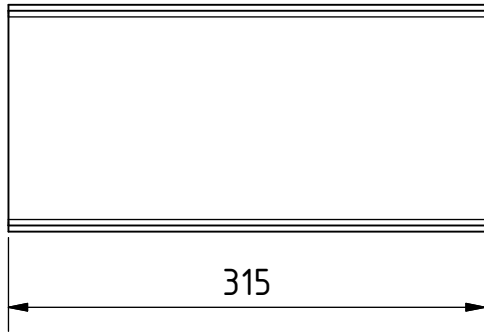
PROJECT	CREATED BY	APPROVED BY	DATE	VERSION	
Vertical Drum Hemp Harvester	A. Morillo	D. Jaeger	22-05-2024	0.06	
PART NAME	SPECIFICACIONES			CODE	
Part 1.2.2	Steel 235J2			1.2.2	
DEVELOPED BY	REDESIGNED BY	FILENAME		QTY	
Hanfasser		1.2.2.ipt		2	
		LICENSE	DOC. TYPE	SCALE	SHEET
		CC-BY-SA 4.0	Part	2 : 5	46 /215

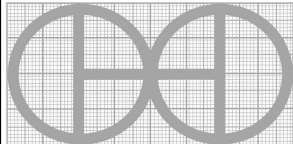
OHO e.V.

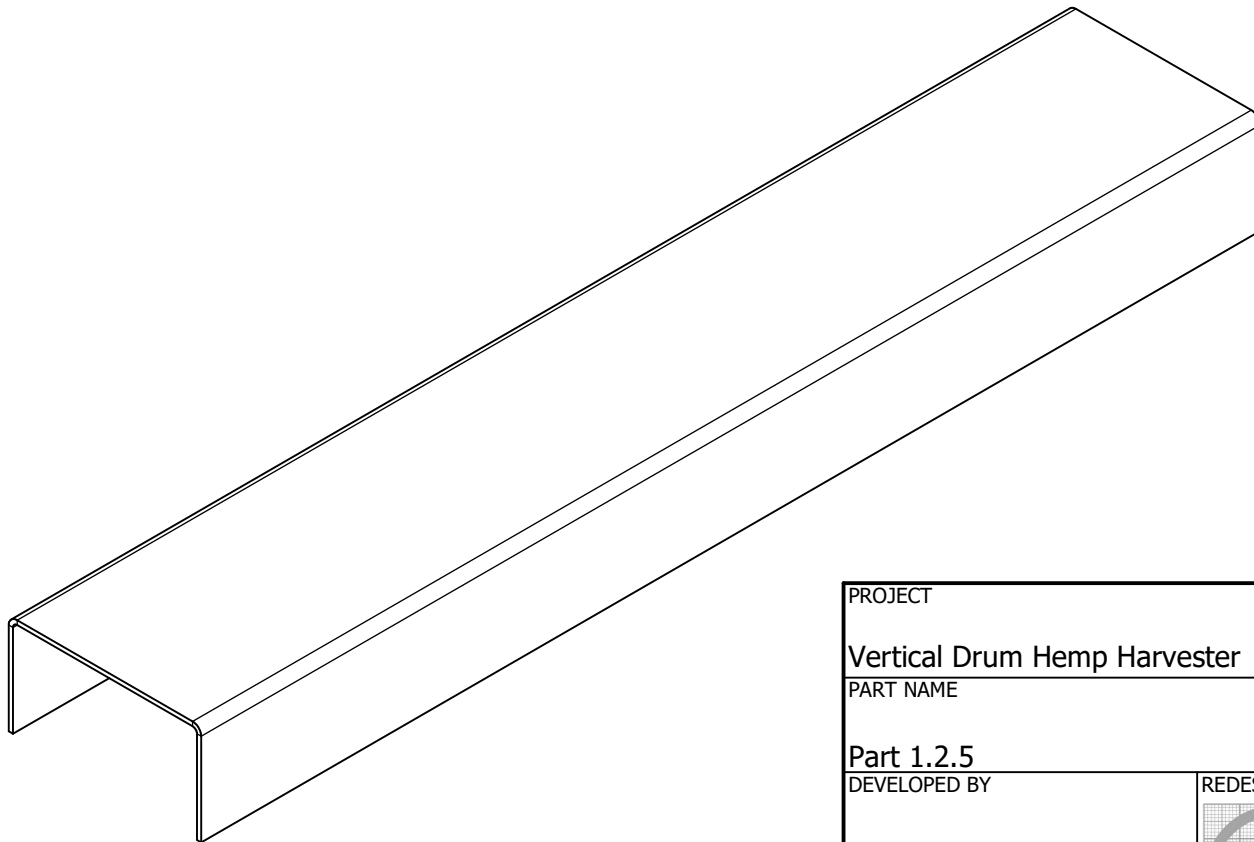
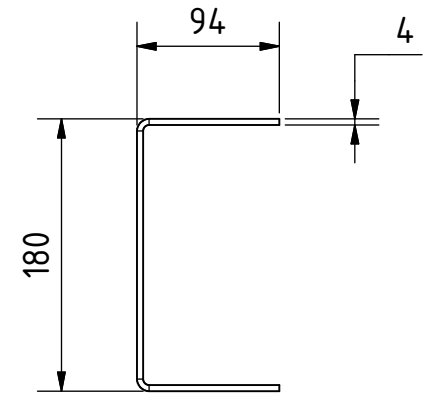
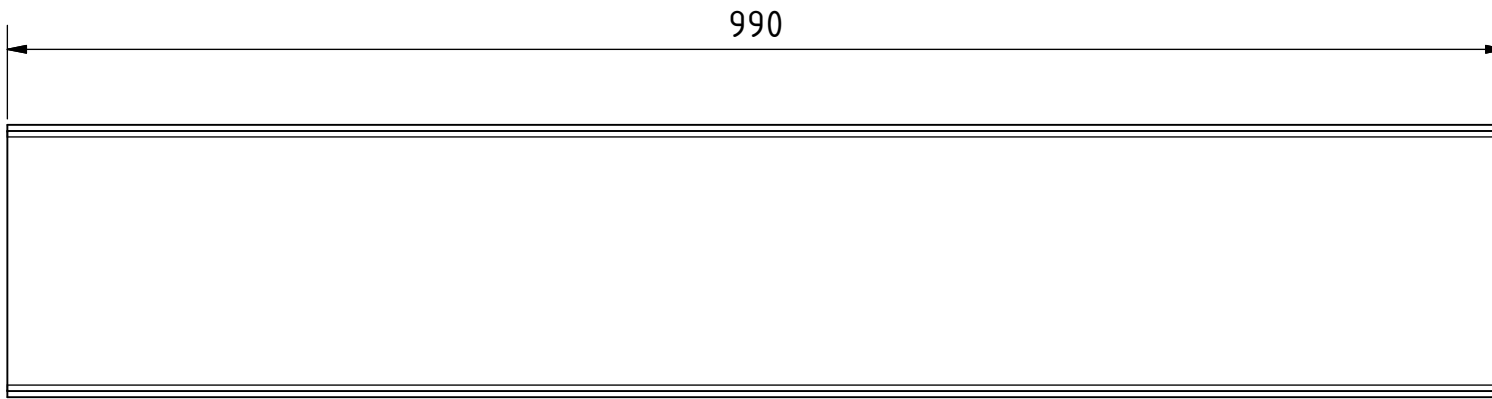


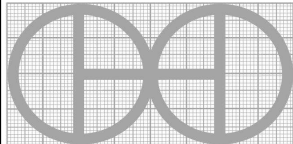
PROJECT	CREATED BY	APPROVED BY	DATE	VERSION	
Vertical Drum Hemp Harvester	A. Morillo	D. Jaeger	22-05-2024	0.06	
PART NAME	SPECIFICACIONES			CODE	
Part 1.2.3	Steel 235J2			1.2.3	
DEVELOPED BY	REDESIGNED BY	FILENAME		QTY	
Hanfasser		1.2.3.ipt		2	
		LICENSE	DOC. TYPE	SCALE	SHEET
		CC-BY-SA 4.0	Part	1 : 5	47 /215

OHO e.V.

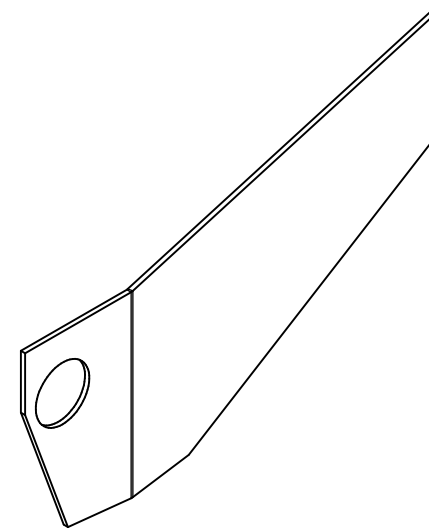
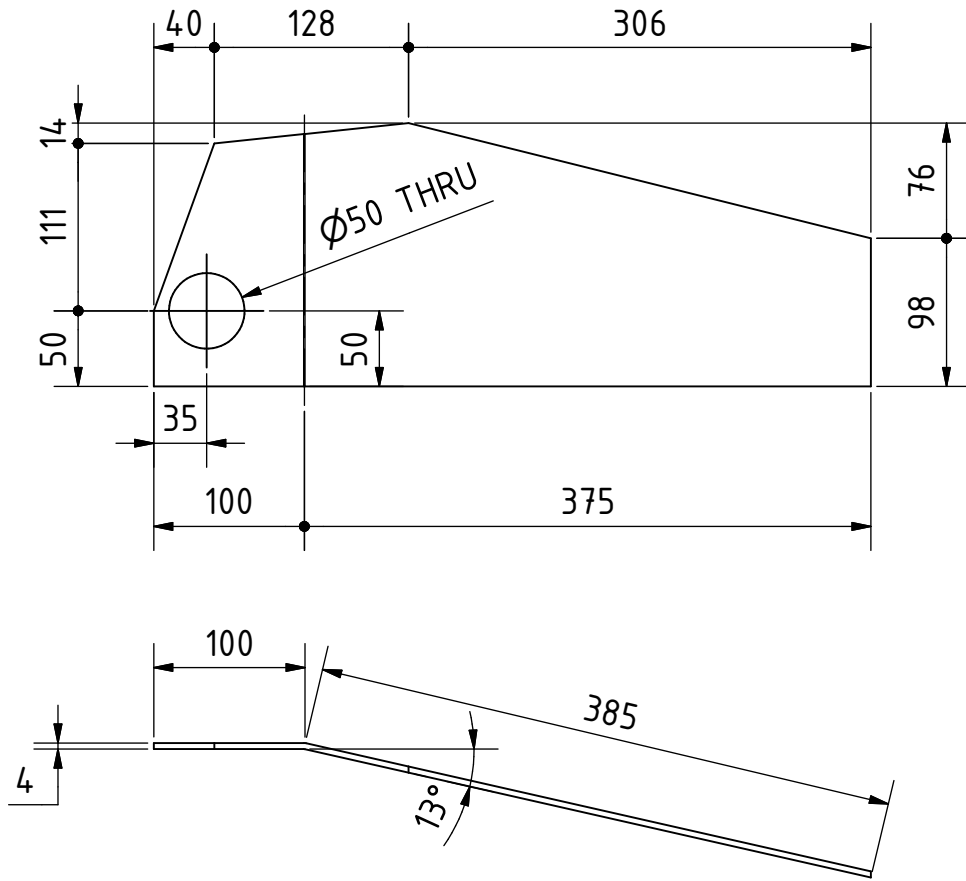


PROJECT	CREATED BY	APPROVED BY	DATE	VERSION	
Vertical Drum Hemp Harvester	A. Morillo	D. Jaeger	22-05-2024	0.06	
PART NAME	SPECIFICACIONES			CODE	
Part 1.2.4	Steel 235J2			1.2.4	
DEVELOPED BY	REDESIGNED BY	FILENAME		QTY	
Hanfasser		1.2.4.ipt		2	
		LICENSE	DOC. TYPE	SCALE	SHEET
		CC-BY-SA 4.0	Part	1 : 5	48 /215

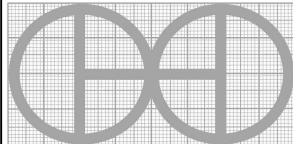


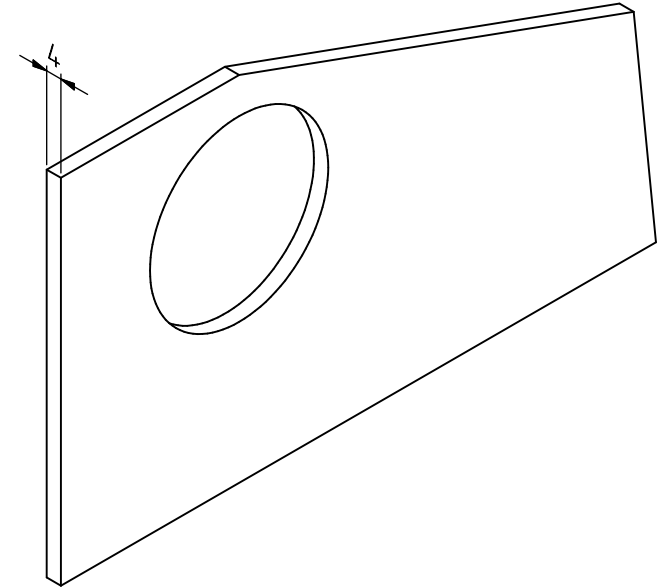
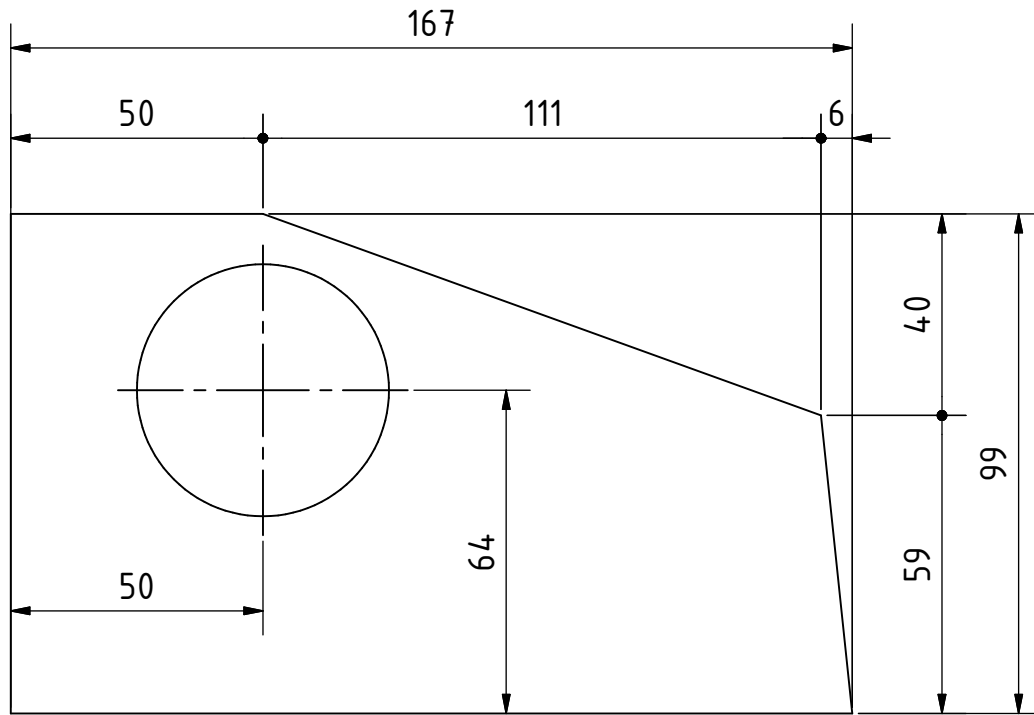
PROJECT	CREATED BY	APPROVED BY	DATE	VERSION	
Vertical Drum Hemp Harvester	A. Morillo	D. Jaeger	22-05-2024	0.06	
PART NAME	SPECIFICACIONES			CODE	
Part 1.2.5	Steel 235J2			1.2.5	
DEVELOPED BY	REDESIGNED BY	FILENAME		QTY	
Hanfasser		1.2.5.ipt		1	
		LICENSE	DOC. TYPE	SCALE	SHEET
		CC-BY-SA 4.0	Part	1 : 5	49 /215

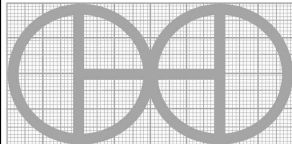
OHO e.V.

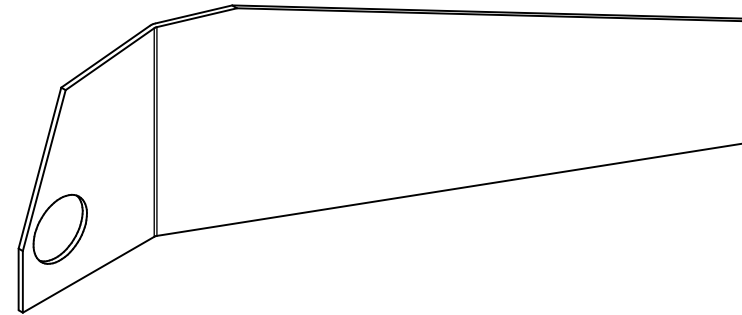
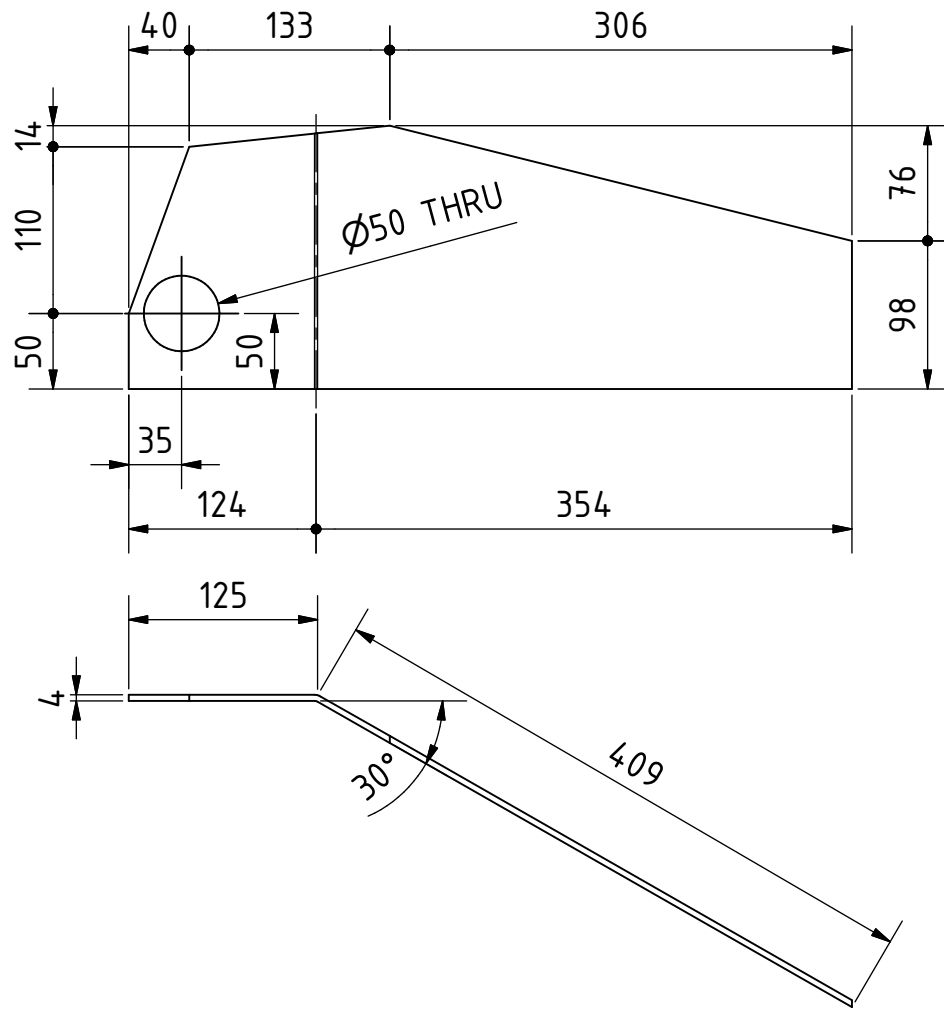


Symmetrical item

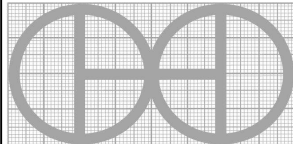
PROJECT	CREATED BY	APPROVED BY	DATE	VERSION
Vertical Drum Hemp Harvester	A. Morillo	D. Jaeger	22-05-2024	0.06
PART NAME	SPECIFICACIONES			CODE
Part 1.2.6				1.2.6
DEVELOPED BY	REDESIGNED BY	FILENAME		QTY
		1.2.6.ipt		
		LICENSE	DOC. TYPE	SCALE
Hanfasser		CC-BY-SA 4.0	Part	1 : 5
				SHEET
				50 /215

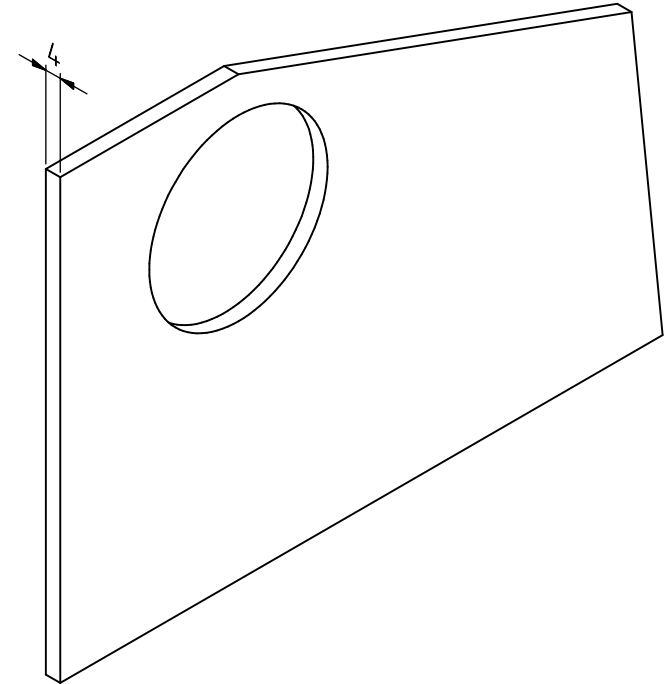
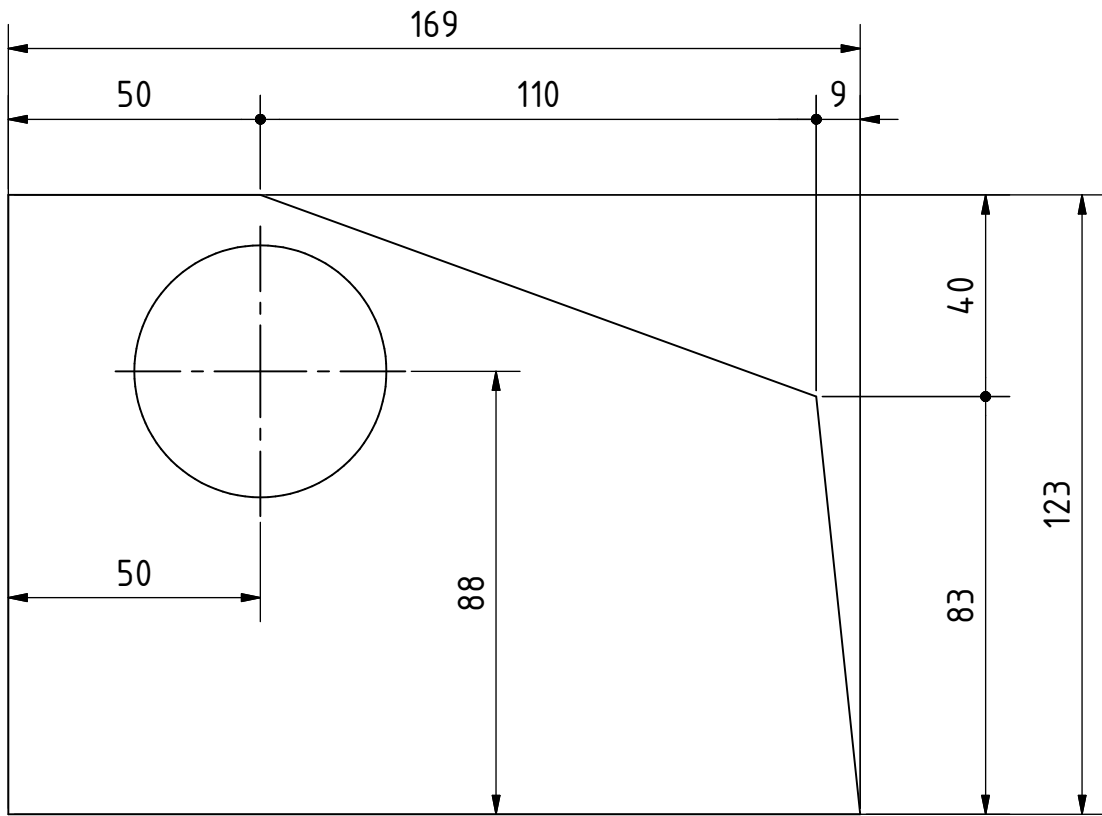


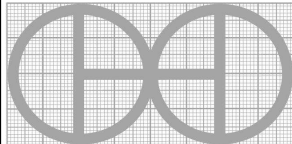
PROJECT	CREATED BY	APPROVED BY	DATE	VERSION	
Vertical Drum Hemp Harvester	A. Morillo	D. Jaeger	22-05-2024	0.06	
PART NAME	SPECIFICACIONES			CODE	
Part 1.2.6_C	Steel 235J2			1.2.6_C	
DEVELOPED BY	REDESIGNED BY	FILENAME		QTY	
Hanfasser		1.2.6_C.ipt		2	
		LICENSE	DOC. TYPE	SCALE	SHEET
		CC-BY-SA 4.0	Part	2 : 3	51 /215

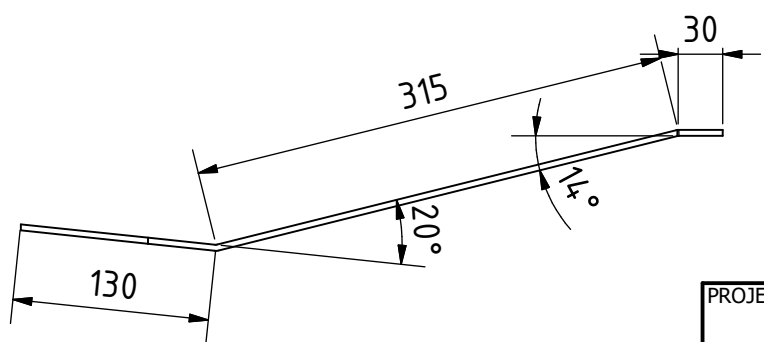
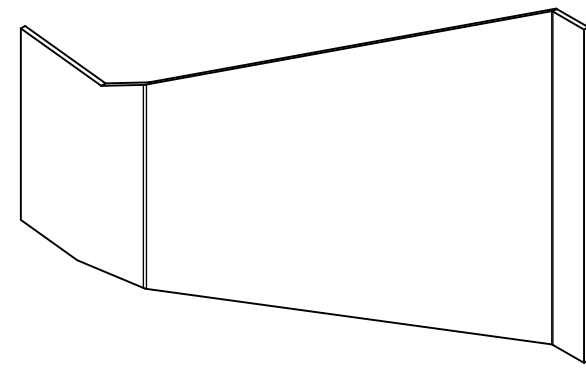
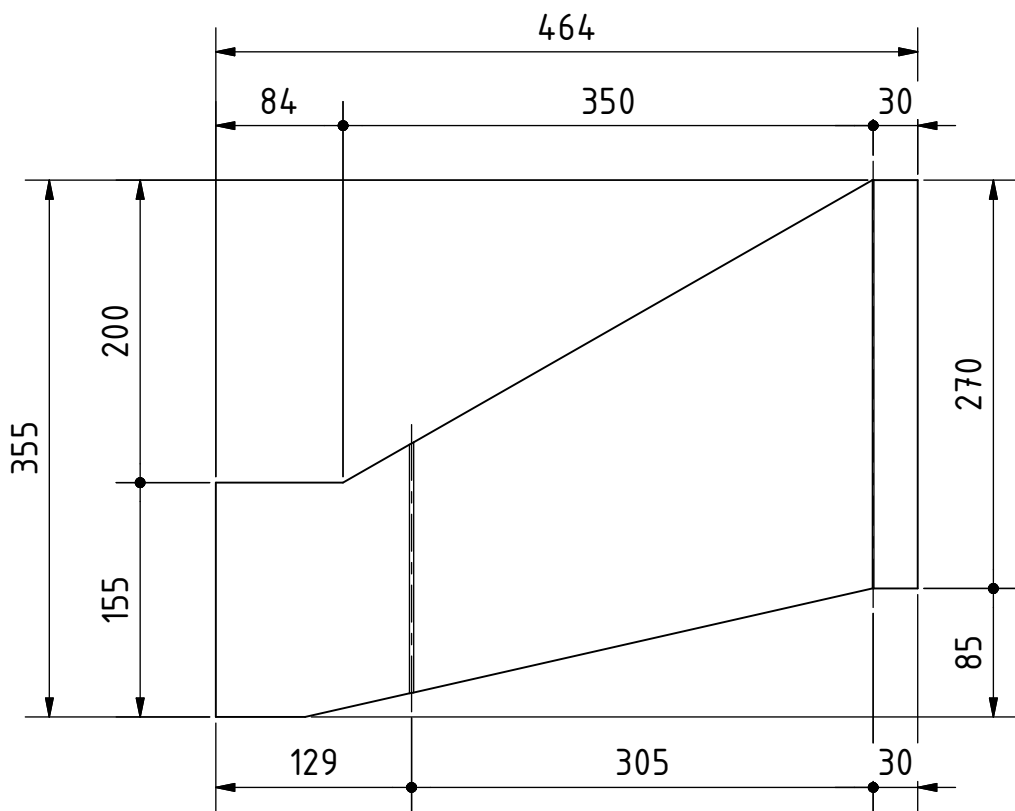


Symmetrical item

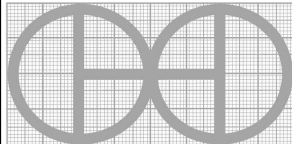
PROJECT	CREATED BY	APPROVED BY	DATE	VERSION
Vertical Drum Hemp Harvester	A. Morillo	D. Jaeger	22-05-2024	0.06
PART NAME	SPECIFICACIONES			CODE
Part 1.2.7				1.2.7
DEVELOPED BY	REDESIGNED BY	FILENAME		QTY
		1.2.7.ipt		
Hanfasser		LICENSE	DOC. TYPE	SCALE
		CC-BY-SA 4.0	Part	1 : 5
				SHEET
				52 /215



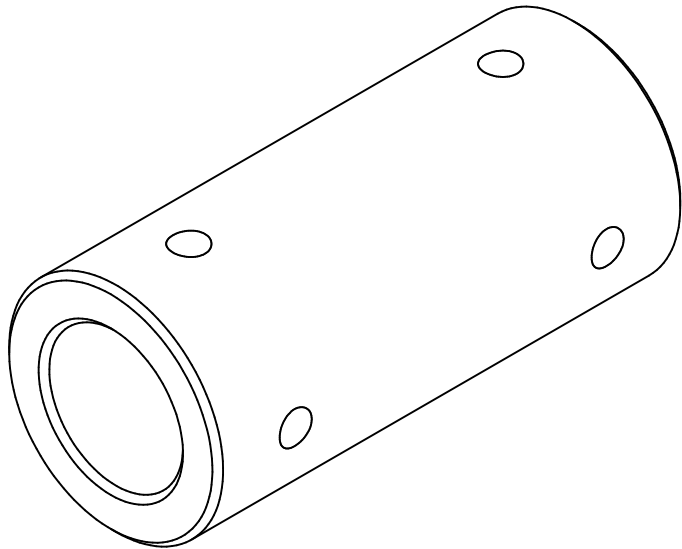
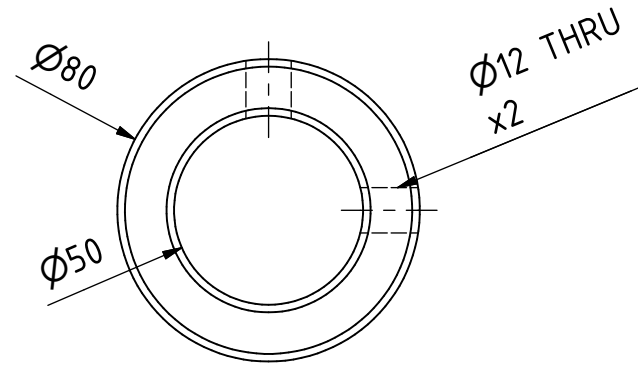
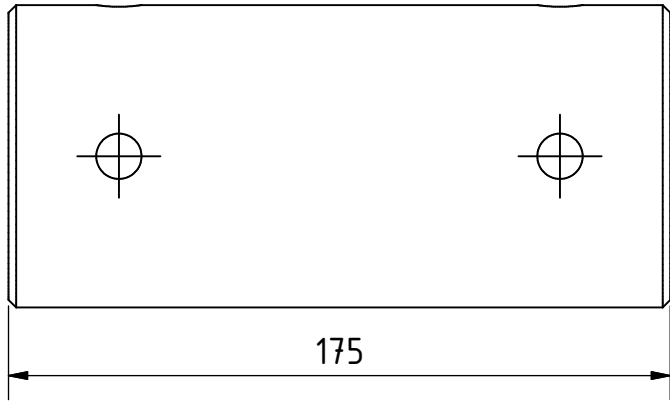
PROJECT	CREATED BY	APPROVED BY	DATE	VERSION	
Vertical Drum Hemp Harvester	A. Morillo	D. Jaeger	22-05-2024	0.06	
PART NAME	SPECIFICACIONES			CODE	
Part 1.2.7_C	Steel 235J2			1.2.7_C	
DEVELOPED BY	REDESIGNED BY	FILENAME		QTY	
Hanfasser		OHO e.V. 1.2.7_C.ipt		2	
		LICENSE	DOC. TYPE	SCALE	SHEET
		CC-BY-SA 4.0	Part	2 : 3	53 /215

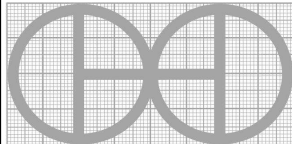


Symmetrical item

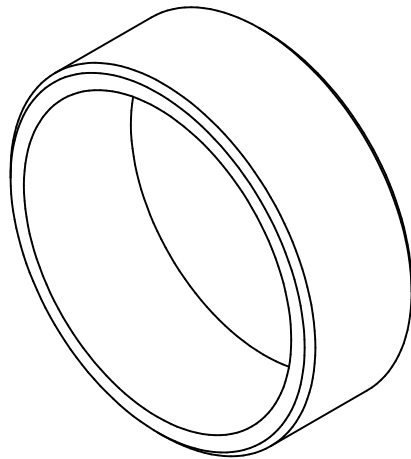
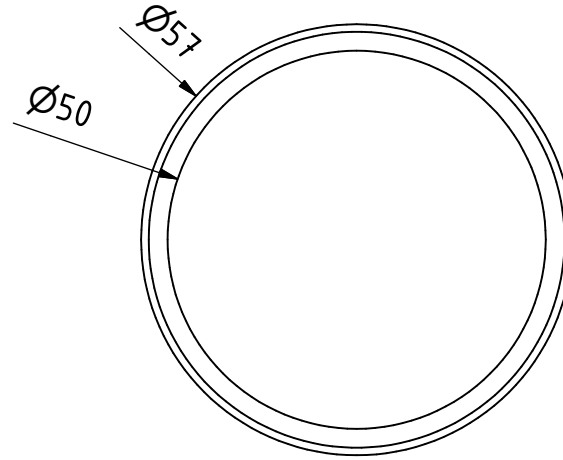
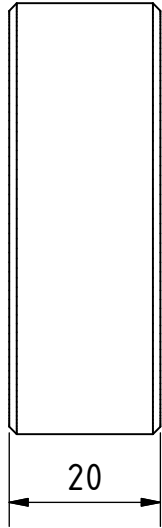
PROJECT	CREATED BY	APPROVED BY	DATE	VERSION	
Vertical Drum Hemp Harvester	A. Morillo	D. Jaeger	22-05-2024	0.06	
PART NAME	SPECIFICACIONES			CODE	
Part 1.2.8	Steel 235J2			1.2.8	
DEVELOPED BY	REDESIGNED BY	FILENAME	QTY		
Hanfasser		1.2.8.ipt	2		
		LICENSE	DOC. TYPE	SCALE	SHEET
		CC-BY-SA 4.0	Part	1 : 5	54 /215

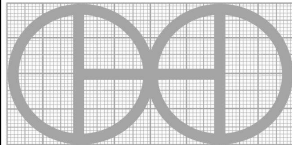
OHO e.v.



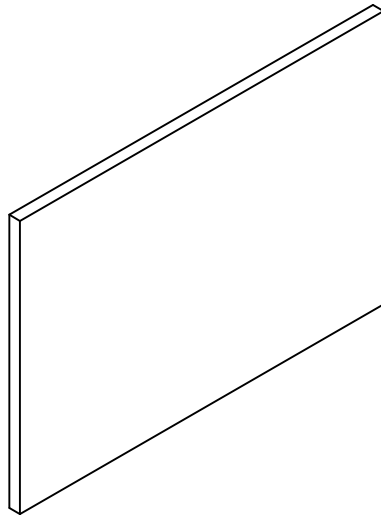
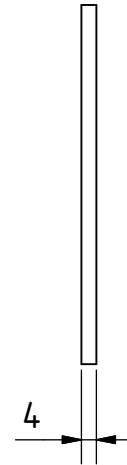
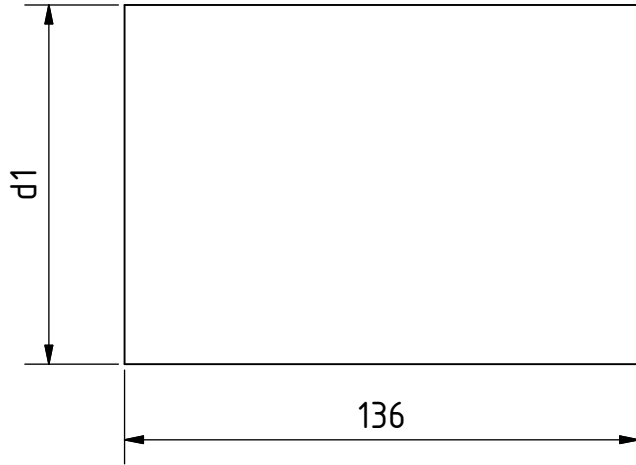
PROJECT	CREATED BY	APPROVED BY	DATE	VERSION	
Vertical Drum Hemp Harvester	A. Morillo	D. Jaeger	22-05-2024	0.06	
PART NAME	SPECIFICACIONES			CODE	
Part 1.2.9_1	Steel 235J2			1.2.9_1	
DEVELOPED BY	REDESIGNED BY	FILENAME		QTY	
Hanfasser		1.2.9.ipt		2	
		LICENSE	DOC. TYPE	SCALE	SHEET
		CC-BY-SA 4.0	Part	1 : 2	55 /215

OHO e.V.

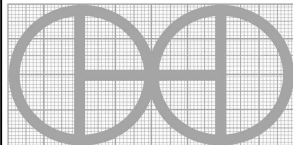


PROJECT	CREATED BY	APPROVED BY	DATE	VERSION	
Vertical Drum Hemp Harvester	A. Morillo	D. Jaeger	22-05-2024	0.06	
PART NAME	SPECIFICACIONES			CODE	
Part 1.2.9_2	Steel 235J2			1.2.9_2	
DEVELOPED BY	REDESIGNED BY	FILENAME		QTY	
Hanfasser		1.2.9_A.ipt		2	
		LICENSE	DOC. TYPE	SCALE	SHEET
		CC-BY-SA 4.0	Part	1 : 1	56 /215

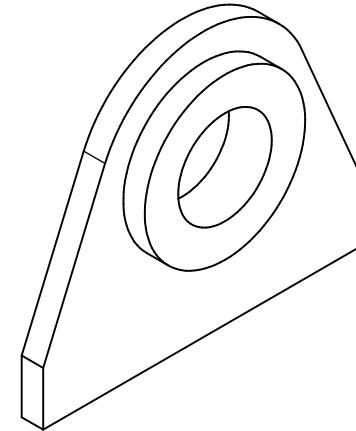
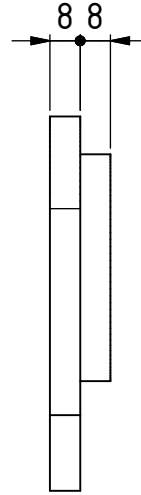
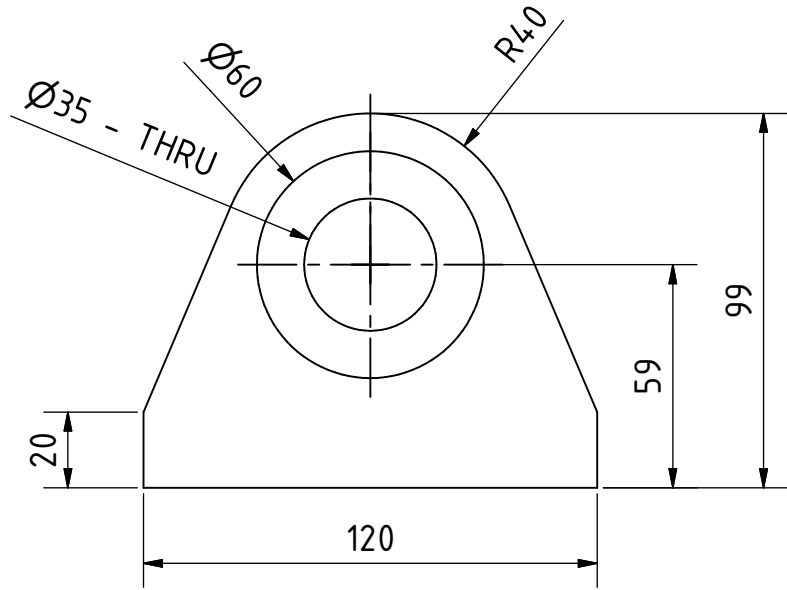
OHO e.V.

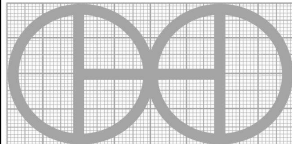


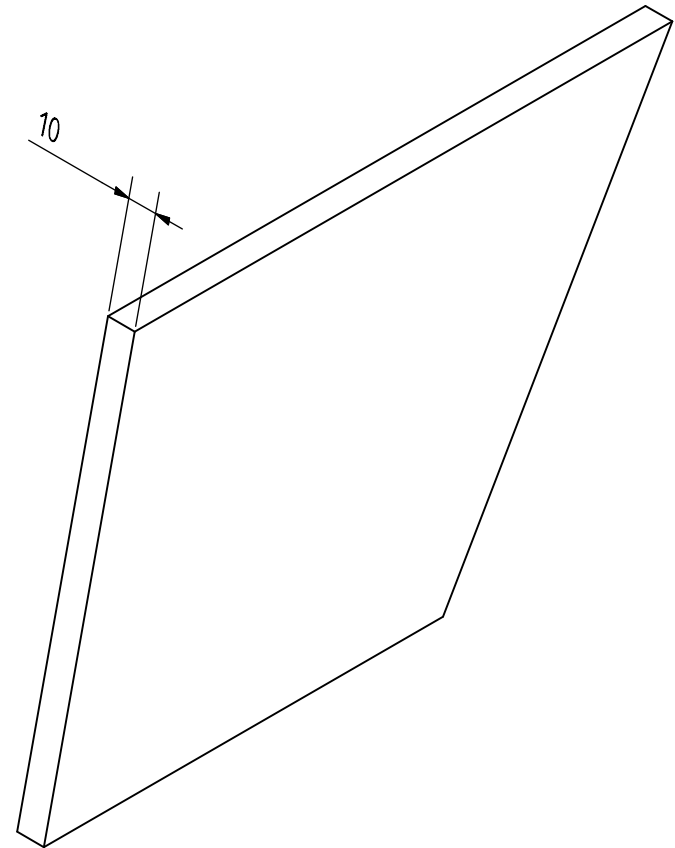
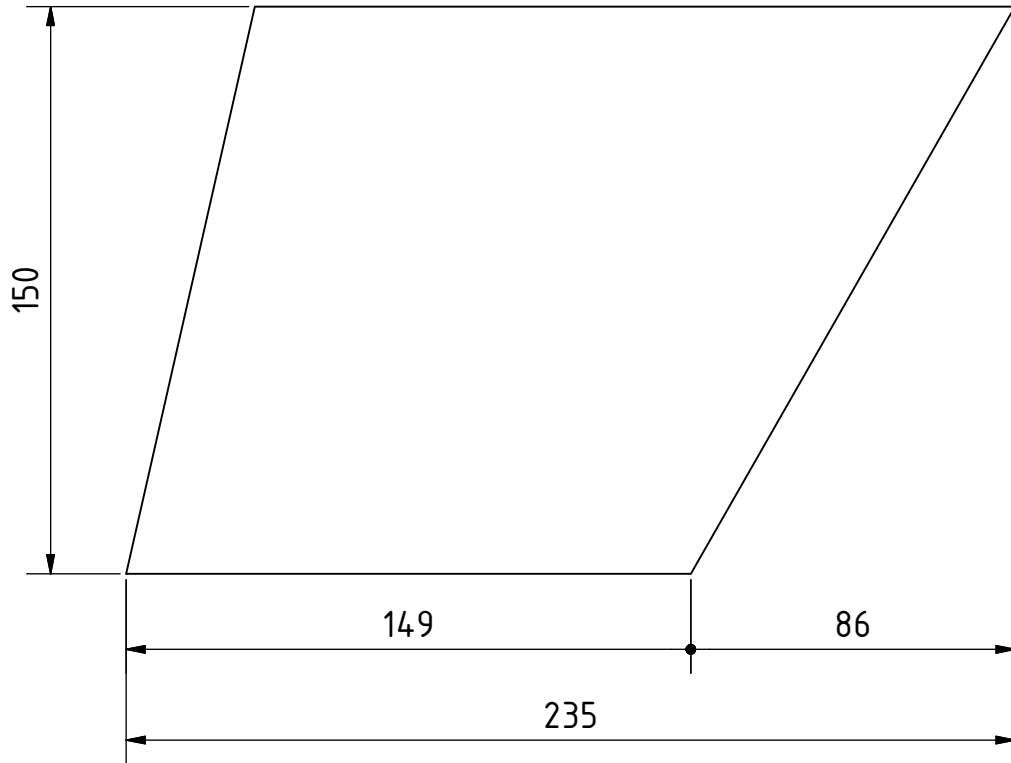
Size table	
Pos	d1
1.2.10_1	95 mm
1.2.10_2	45 mm

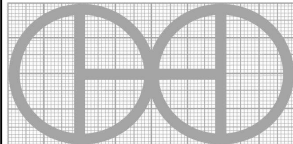
PROJECT	CREATED BY	APPROVED BY	DATE	VERSION	
Vertical Drum Hemp Harvester	A. Morillo	D. Jaeger	22-05-2024	0.06	
PART NAME	SPECIFICACIONES			CODE	
Part 1.2.10	Steel 235J2			1.2.10	
DEVELOPED BY	REDESIGNED BY	FILENAME		QTY	
Hanfasser		1.2.10.ipt		4 (2A,2B)	
		LICENSE	DOC. TYPE	SCALE	SHEET
		CC-BY-SA 4.0	Part	1 : 2	57 /215

OHO e.V.

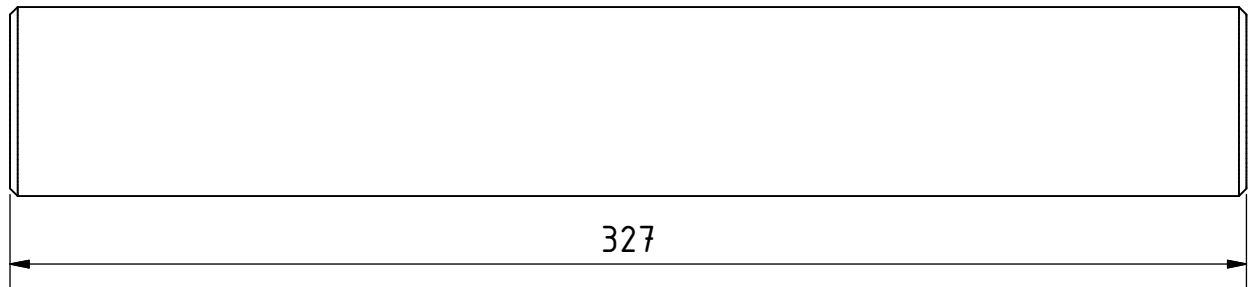
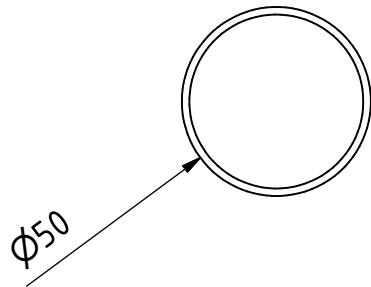


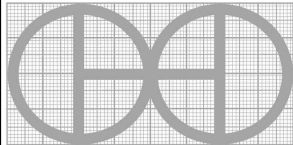
PROJECT	CREATED BY	APPROVED BY	DATE	VERSION	
Vertical Drum Hemp Harvester	A. Morillo	D. Jaeger	22-05-2024	0.06	
PART NAME	SPECIFICACIONES			CODE	
Upper handlebar_part11	Steel 235J2			1.2.11	
DEVELOPED BY	REDESIGNED BY	FILENAME		QTY	
Hanfasser		1.2.11.ipt		4	
		LICENSE	DOC. TYPE	SCALE	SHEET
		CC-BY-SA 4.0	Part	1 : 2	58 /215



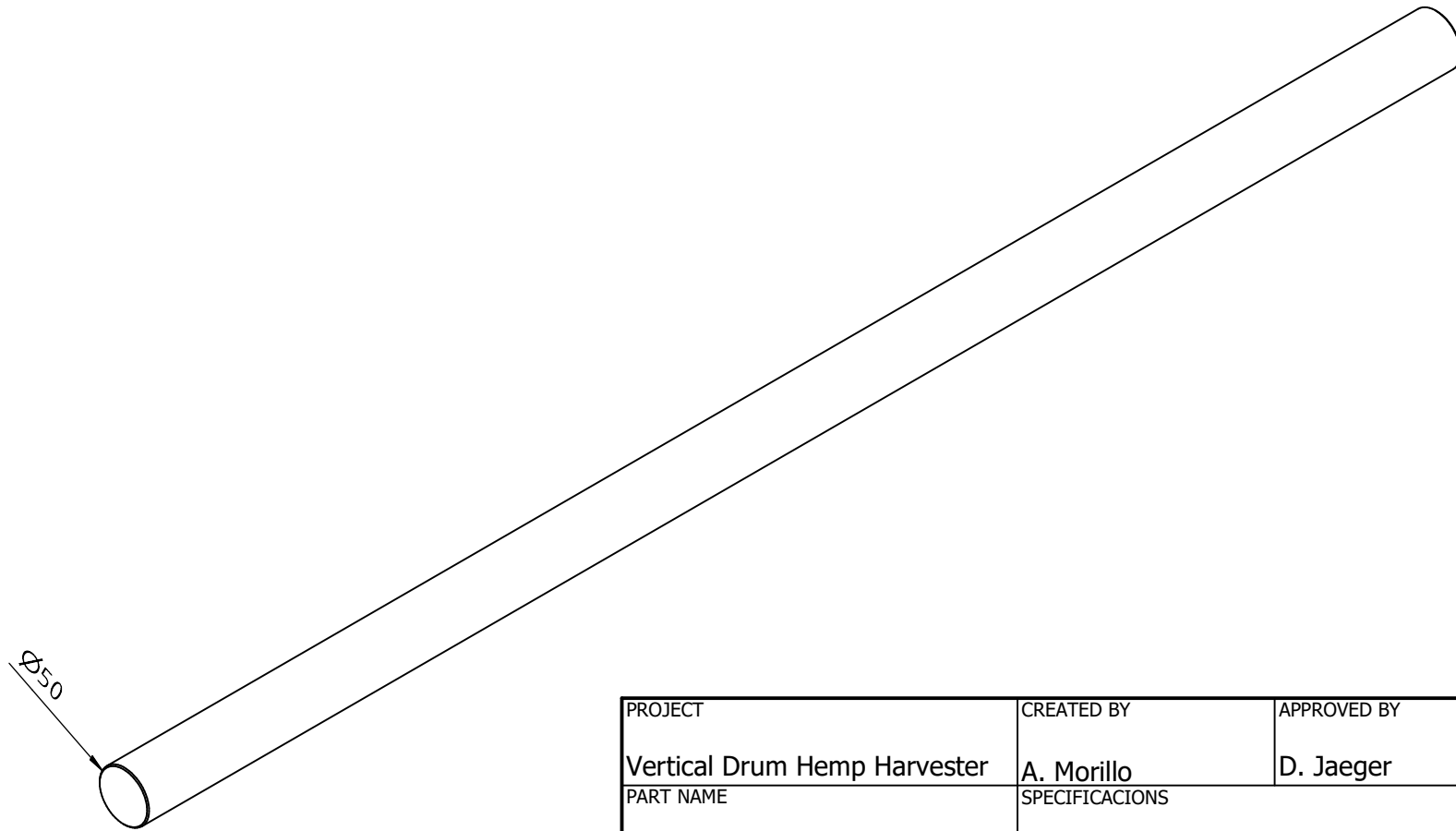
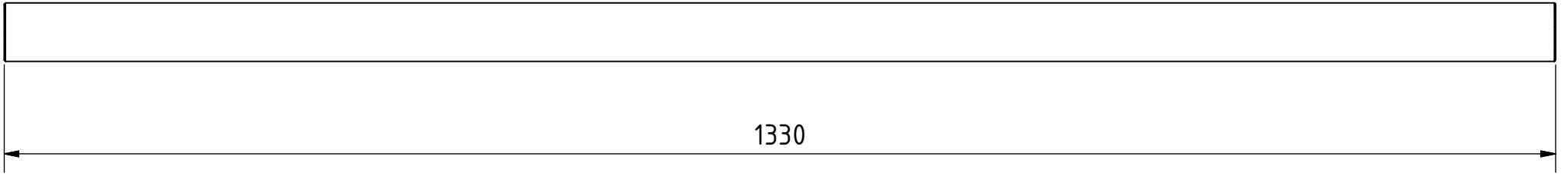
PROJECT	CREATED BY	APPROVED BY	DATE	VERSION	
Vertical Drum Hemp Harvester	A. Morillo	D. Jaeger	22-05-2024	0.06	
PART NAME	SPECIFICACIONES			CODE	
Upper handlebar_part11	Steel 235J2			1.2.12	
DEVELOPED BY	REDESIGNED BY	FILENAME		QTY	
Hanfasser		1.2.12.ipt		2	
		LICENSE	DOC. TYPE	SCALE	SHEET
		CC-BY-SA 4.0	Part	1 : 2	59 /215

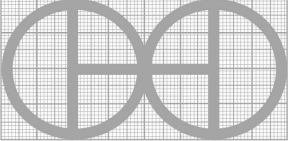
OHO e.V.



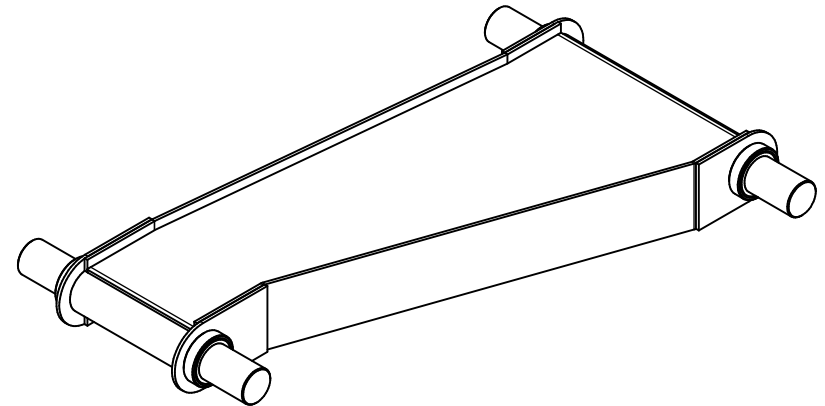
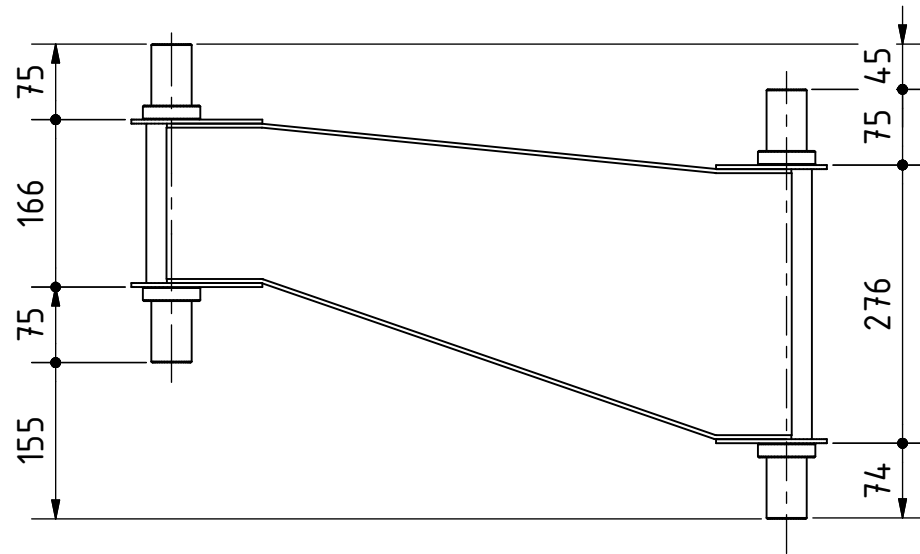
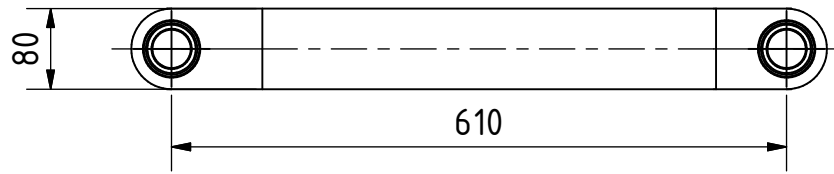
PROJECT	CREATED BY	APPROVED BY	DATE	VERSION	
Vertical Drum Hemp Harvester	A. Morillo	D. Jaeger	22-05-2024	0.06	
PART NAME	SPECIFICACIONES			CODE	
Upper handlebar_part11	Steel 235J2			1.2.13	
DEVELOPED BY	REDESIGNED BY	FILENAME		QTY	
Hanfasser		1.2.13.ipt		2	
		LICENSE	DOC. TYPE	SCALE	SHEET
		CC-BY-SA 4.0	Part	1 : 2	60 /215

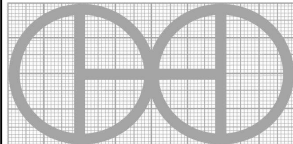
OHO e.V.

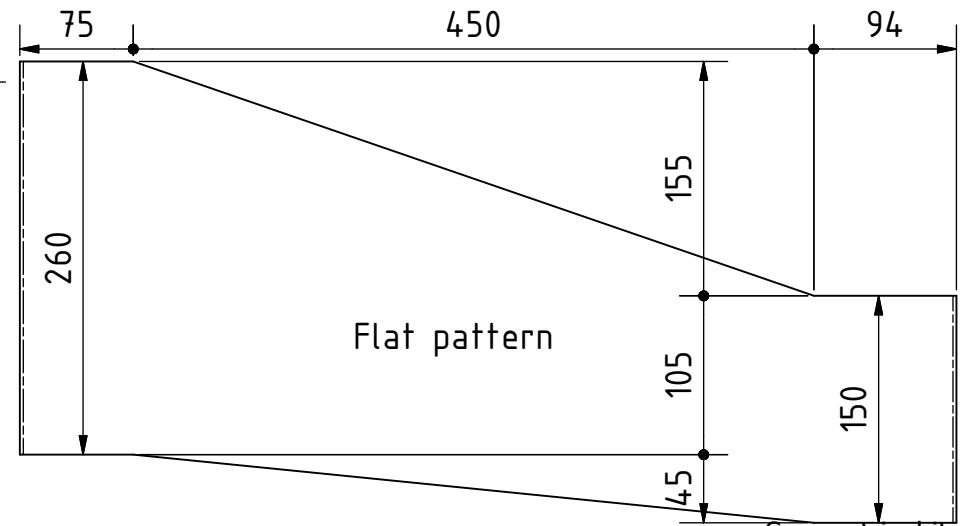
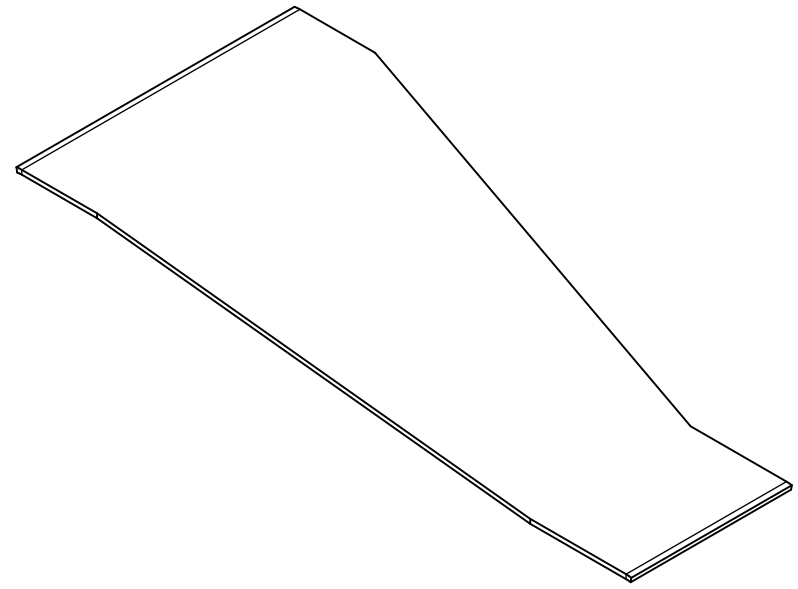
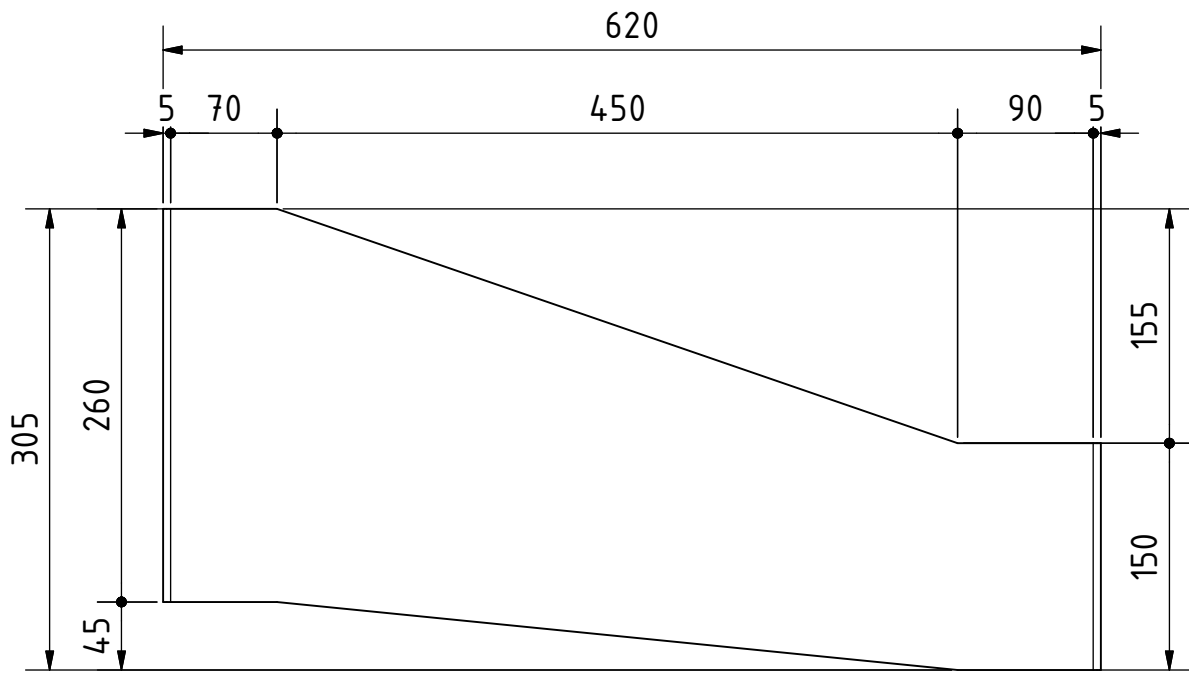


PROJECT	CREATED BY	APPROVED BY	DATE	VERSION	
Vertical Drum Hemp Harvester	A. Morillo	D. Jaeger	22-05-2024	0.06	
PART NAME	SPECIFICACIONES			CODE	
Axle	Steel 235J2			1.3.0	
DEVELOPED BY	REDESIGNED BY	FILENAME		QTY	
Hanfasser		1.3.ipt		1	
		LICENSE	DOC. TYPE	SCALE	SHEET
		CC-BY-SA 4.0	Part	1 : 5	61 /215

OHO e.V.

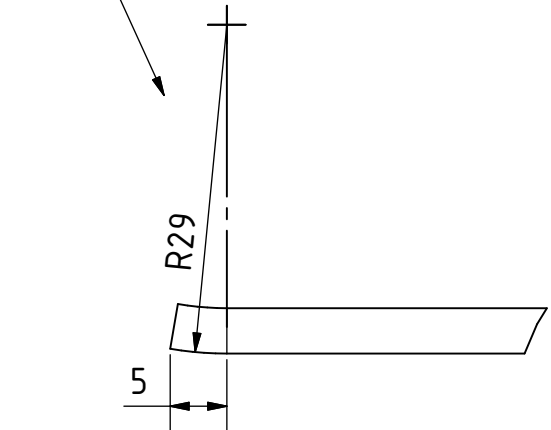
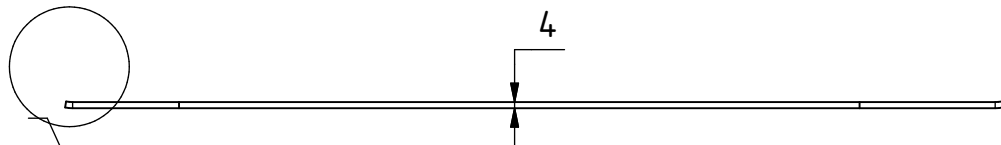


PROJECT	CREATED BY	APPROVED BY	DATE	VERSION
Vertical Drum Hemp Harvester	A. Morillo	D. Jaeger	22-05-2024	0.06
PART NAME	SPECIFICACIONES			CODE
Lower control arm				1.5.0
DEVELOPED BY	REDESIGNED BY	FILENAME	QTY	
		1.5.iam	2	
		LICENSE	DOC. TYPE	SHEET
Hanfasser		CC-BY-SA 4.0	Assembly	62 /215
		OHO e.V.	SCALE	
			2 : 15	

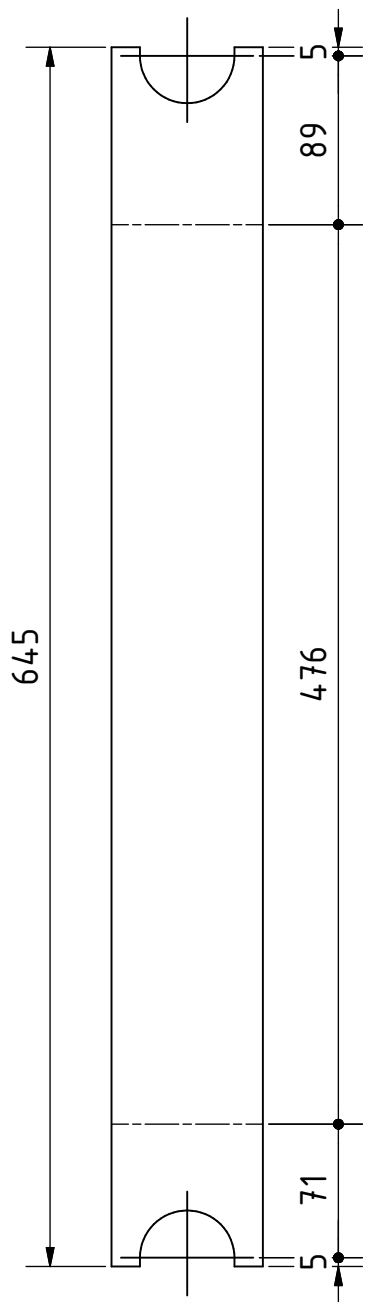


Flat pattern

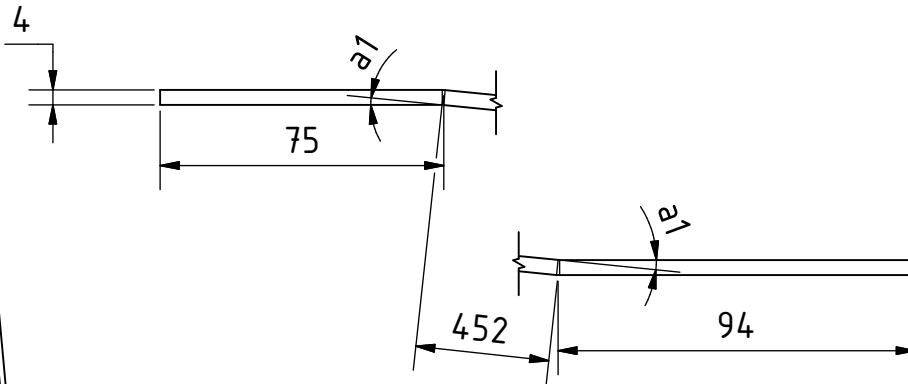
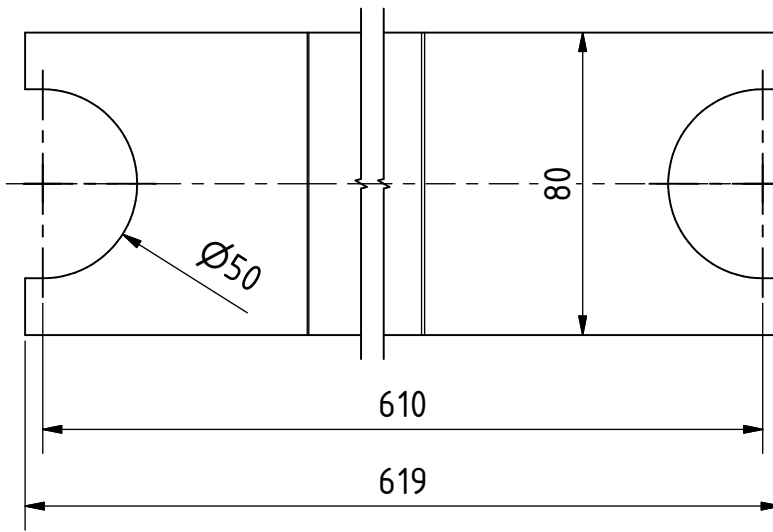
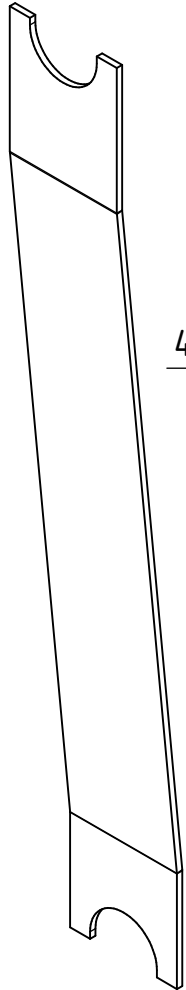
Symmetrical item



PROJECT	CREATED BY	APPROVED BY	DATE	VERSION	
Vertical Drum Hemp Harvester	A. Morillo	D. Jaeger	22-05-2024	0.06	
PART NAME	SPECIFICACIONES			CODE	
Part 1.5.1	Steel 235J2			1.5.1	
DEVELOPED BY	REDESIGNED BY	FILENAME	QTY		
Hanfasser		1.5.1.ipt	2		
		LICENSE	DOC. TYPE	SCALE	SHEET
		CC-BY-SA 4.0	Part	1 : 5	64 /215

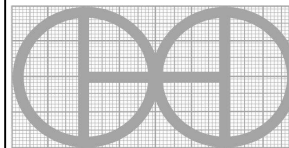


Flat pattern



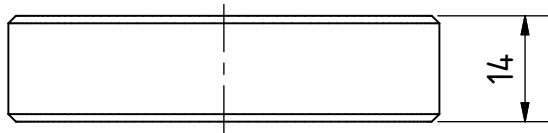
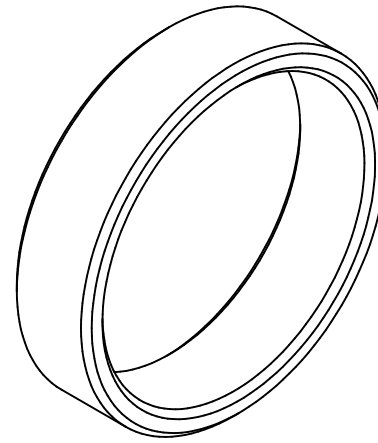
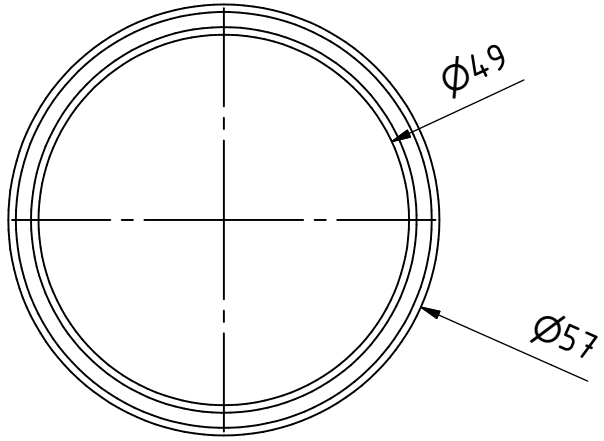
Size table	
Pos	a1
1.5.3_1	6°
1.5.3_2	11°

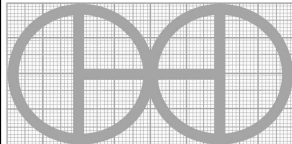
PROJECT	CREATED BY	APPROVED BY	DATE	VERSION
Vertical Drum Hemp Harvester	A. Morillo	D. Jaeger	22-05-2024	0.06
PART NAME	SPECIFICACIONES			CODE
Part 1.5.3	Steel 235J2			1.5.3
DEVELOPED BY	REDESIGNED BY	FILENAME		QTY
		1.5.3.ipt		8
		LICENSE	DOC. TYPE	SCALE
		CC-BY-SA 4.0	Part	1 : 2
				SHEET
				65 /215



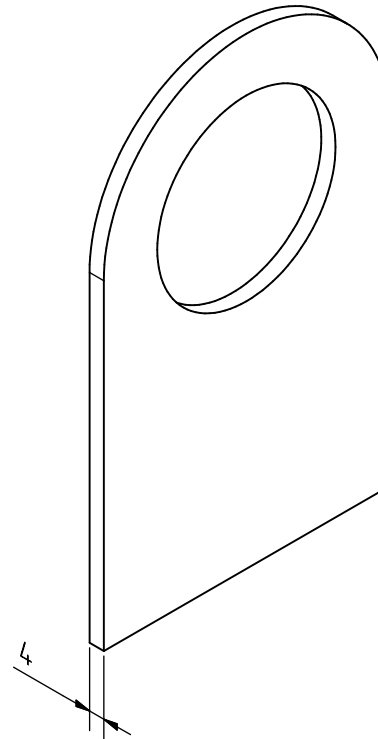
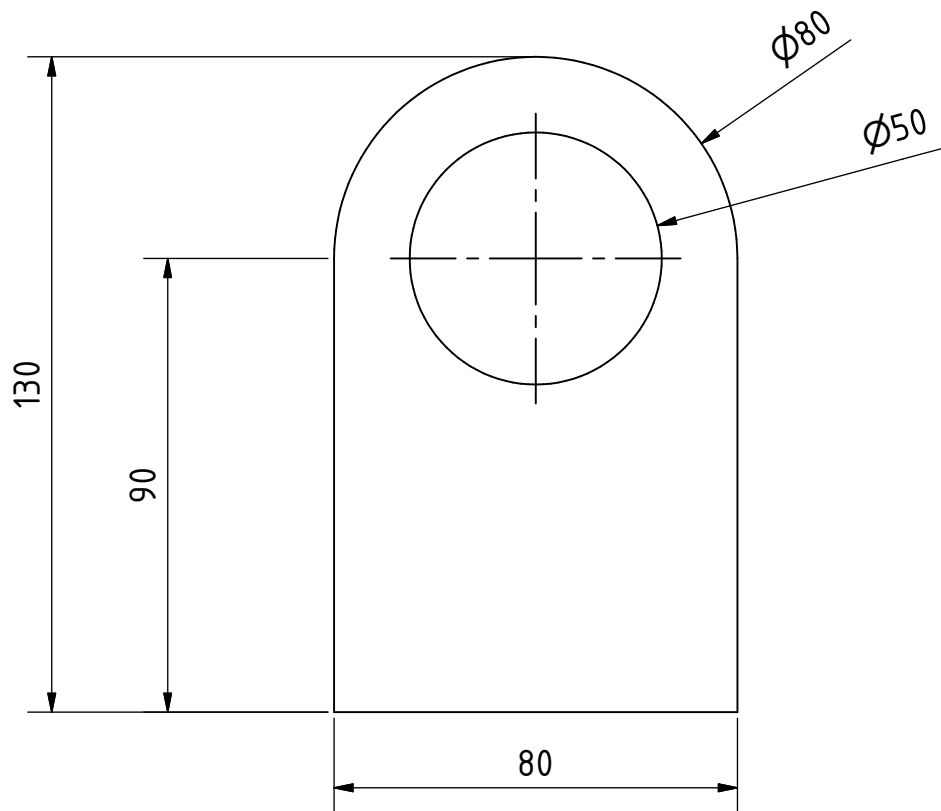
OHO e.V.

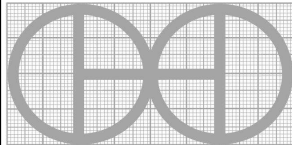
Hanfasser

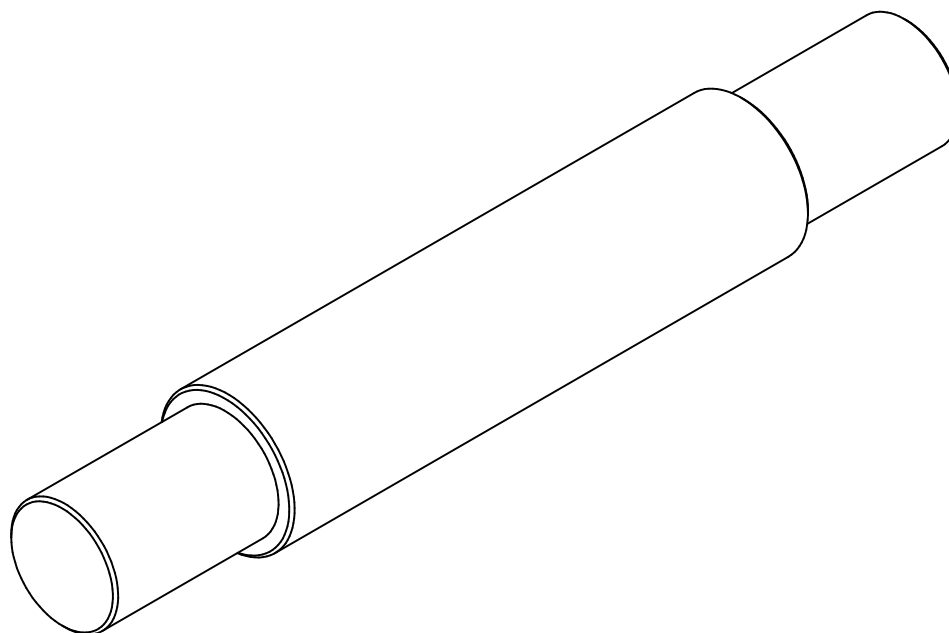
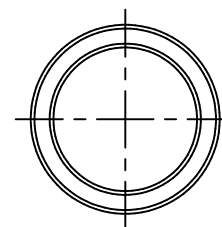
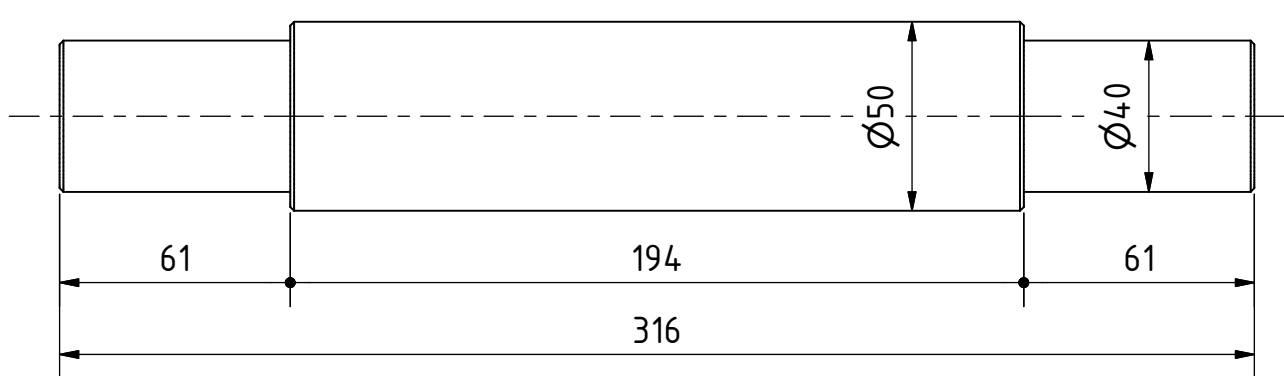


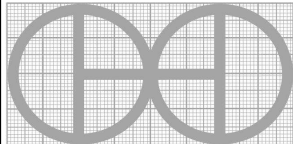
PROJECT	CREATED BY	APPROVED BY	DATE	VERSION	
Vertical Drum Hemp Harvester	A. Morillo	D. Jaeger	22-05-2024	0.06	
PART NAME	SPECIFICACIONES			CODE	
Part 1.5.4	Steel 235J2			1.5.4	
DEVELOPED BY	REDESIGNED BY	FILENAME		QTY	
Hanfasser		1.5.4.ipt		2	
		LICENSE	DOC. TYPE	SCALE	SHEET
		CC-BY-SA 4.0	Part	1 : 1	66 /215

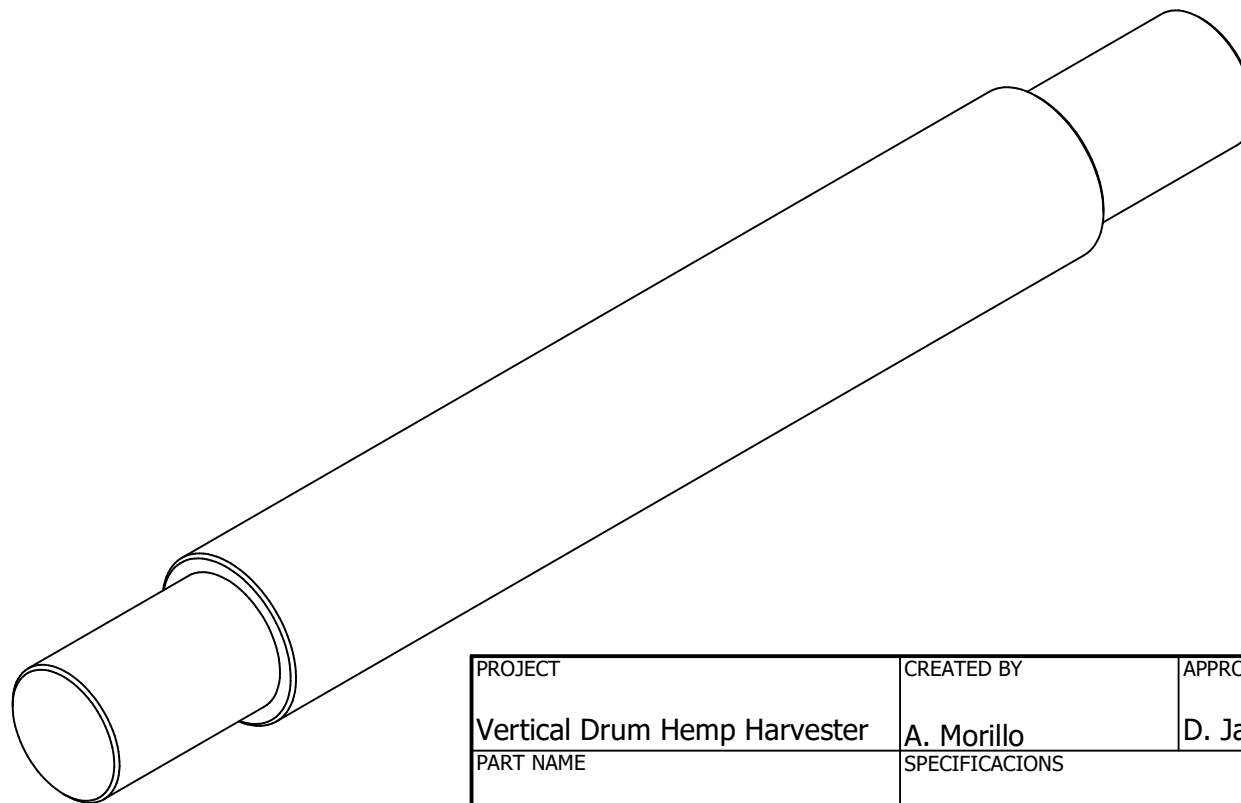
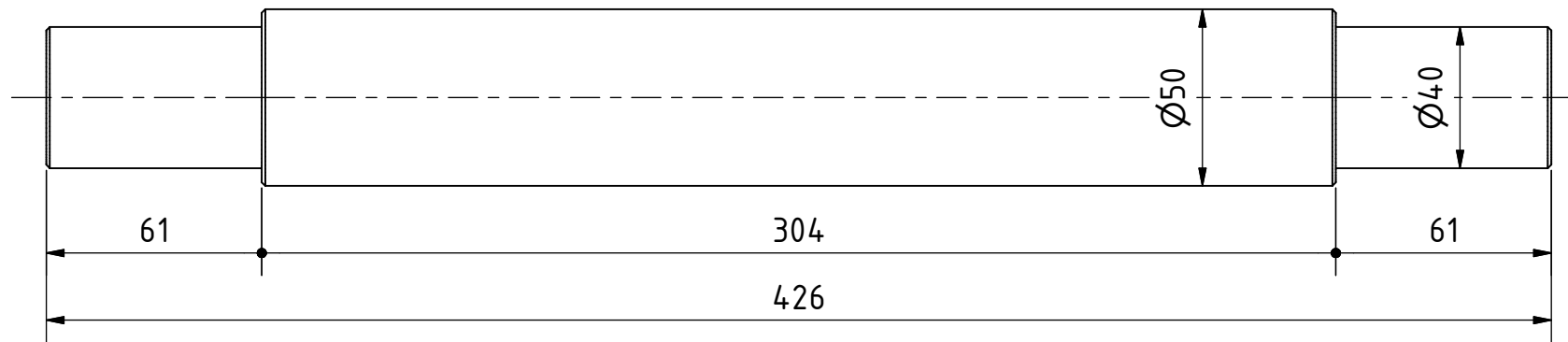
OHO e.V.

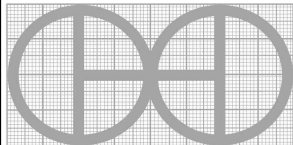


PROJECT	CREATED BY	APPROVED BY	DATE	VERSION	
Vertical Drum Hemp Harvester	A. Morillo	D. Jaeger	22-05-2024	0.06	
PART NAME	SPECIFICACIONES			CODE	
Part 1.5.5	Steel 235J2			1.5.5	
DEVELOPED BY	REDESIGNED BY	FILENAME		QTY	
Hanfasser		1.5.5.ipt		8	
		LICENSE	DOC. TYPE	SCALE	SHEET
		CC-BY-SA 4.0	Part	2 : 3	67 /215

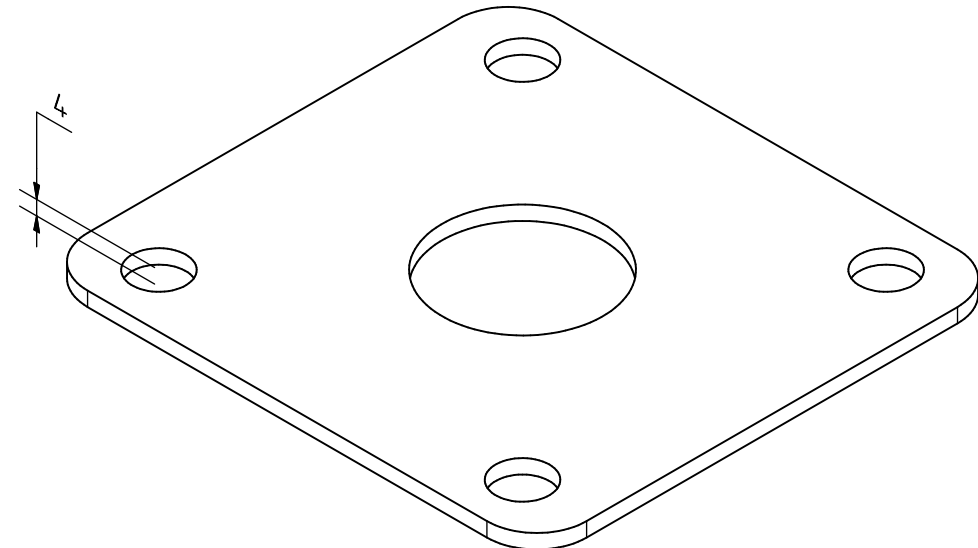
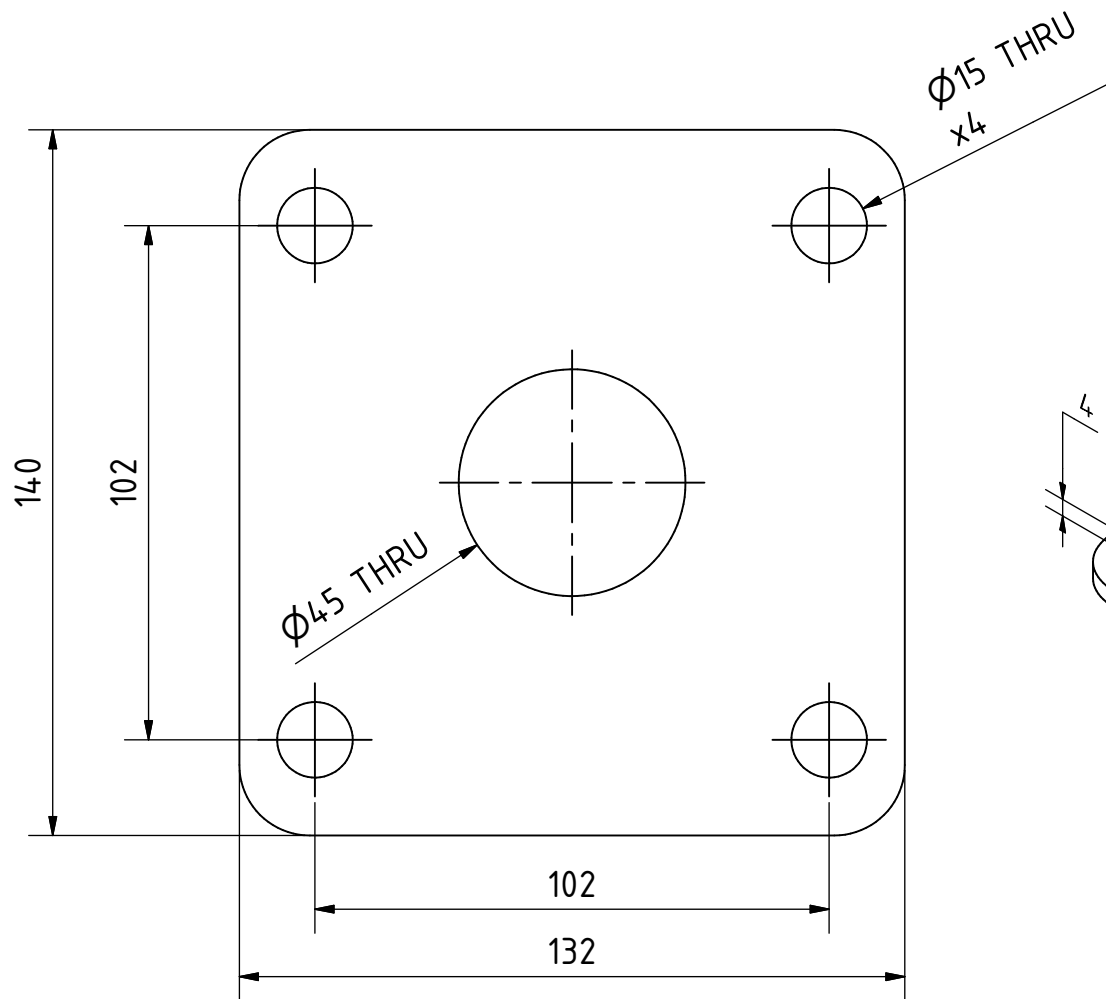


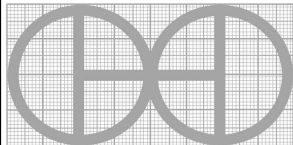
PROJECT		CREATED BY		APPROVED BY		DATE		VERSION	
Vertical Drum Hemp Harvester		A. Morillo		D. Jaeger		22-05-2024		0.06	
PART NAME		SPECIFICACIONES						CODE	
Part 1.5.6		Steel 235J2						1.5.6	
DEVELOPED BY		REDESIGNED BY		FILENAME				QTY	
Hanfasser				1.5.6.ipt				2	
				LICENSE		DOC. TYPE		SCALE	
				CC-BY-SA 4.0		Part		1 : 2	
								68 /215	

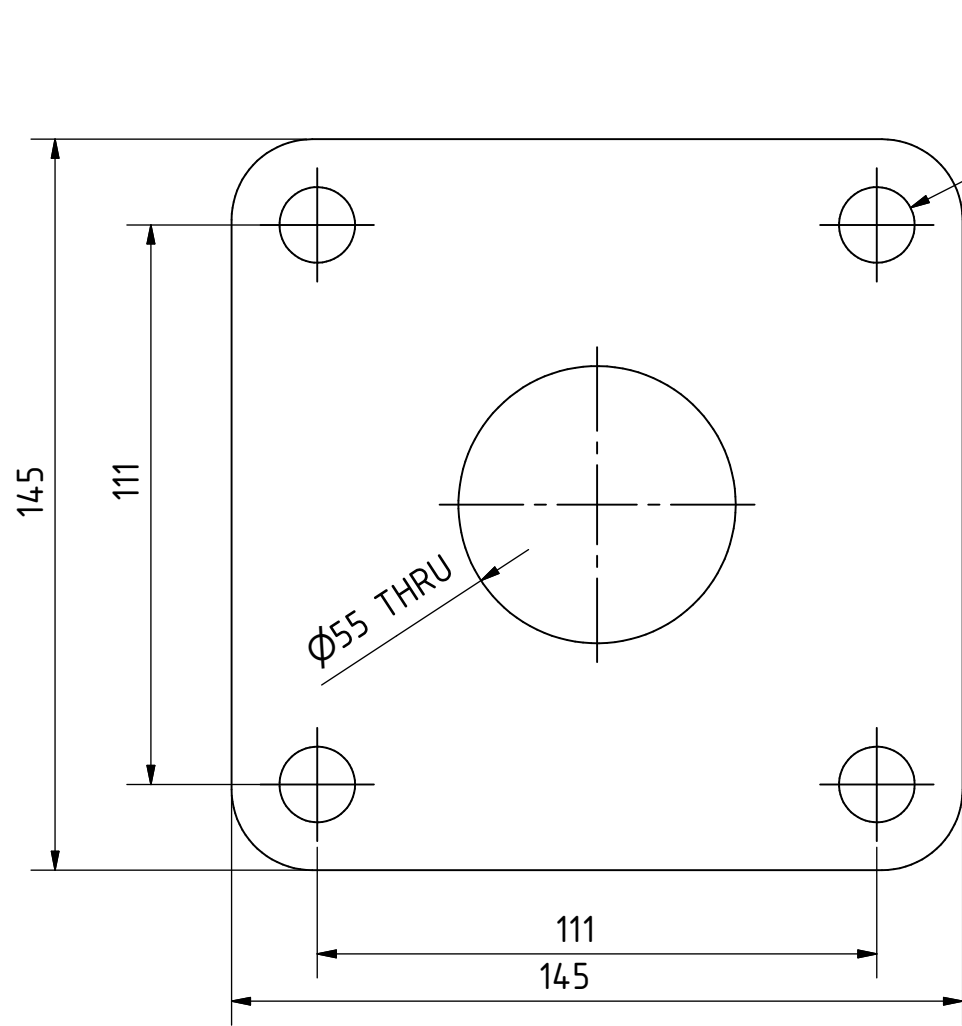


PROJECT	CREATED BY	APPROVED BY	DATE	VERSION	
Vertical Drum Hemp Harvester	A. Morillo	D. Jaeger	22-05-2024	0.06	
PART NAME	SPECIFICACIONES			CODE	
Part 1.5.7	Steel 235J2			1.5.7	
DEVELOPED BY	REDESIGNED BY	FILENAME		QTY	
Hanfasser		1.5.7.ipt		2	
		LICENSE	DOC. TYPE	SCALE	SHEET
		CC-BY-SA 4.0	Part	1 : 2	69 /215

OHO e.V.

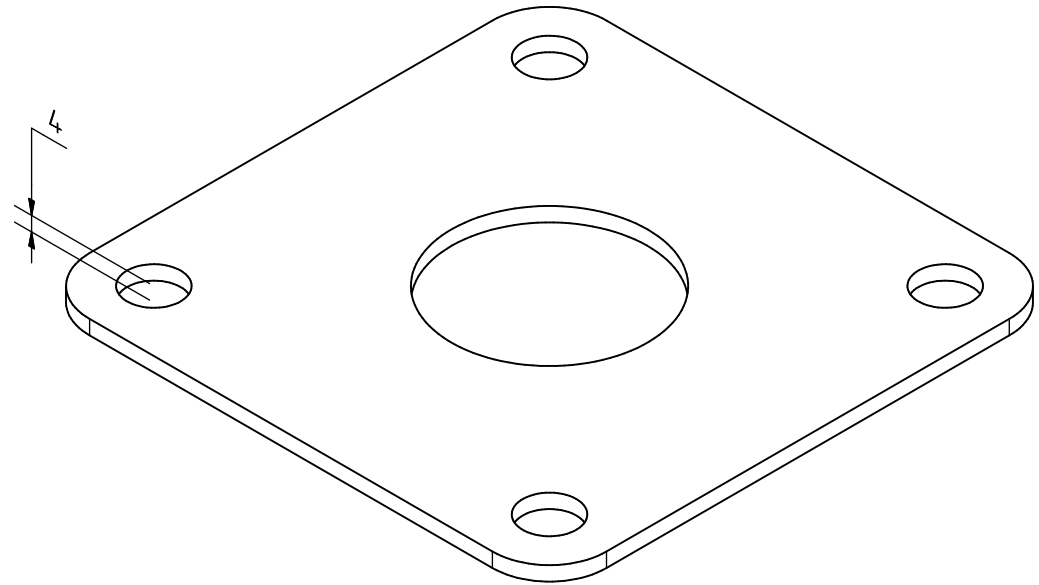


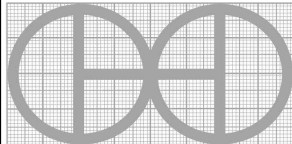
PROJECT	CREATED BY	APPROVED BY	DATE	VERSION	
Vertical Drum Hemp Harvester	A. Morillo	D. Jaeger	22-05-2024	0.06	
PART NAME	SPECIFICACIONES			CODE	
Reinforcement plate 2	Steel 235J2, For Bearing UCF 208			1.7.0	
DEVELOPED BY	REDESIGNED BY	FILENAME	QTY		
Hanfasser		1.7.ipt	8		
		LICENSE	DOC. TYPE	SCALE	SHEET
		CC-BY-SA 4.0	Part	2 : 3	70 /215

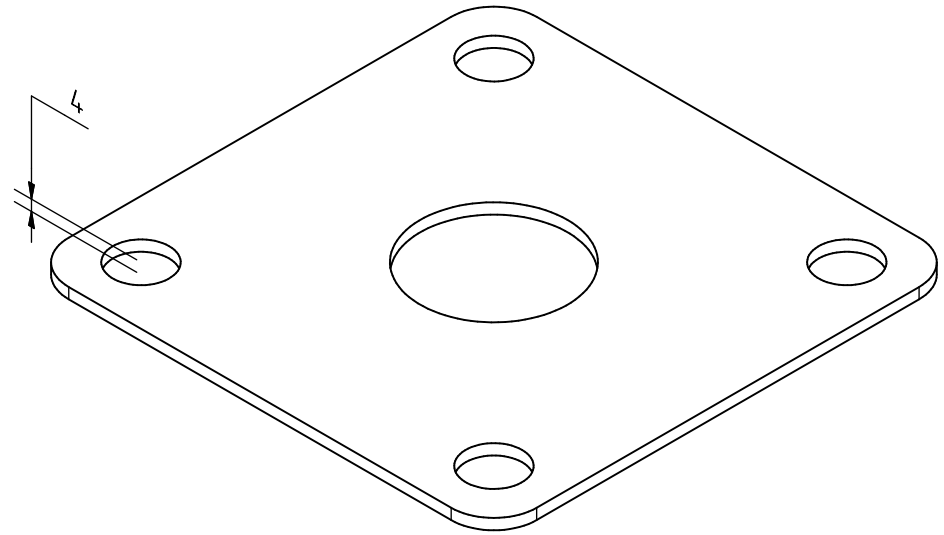
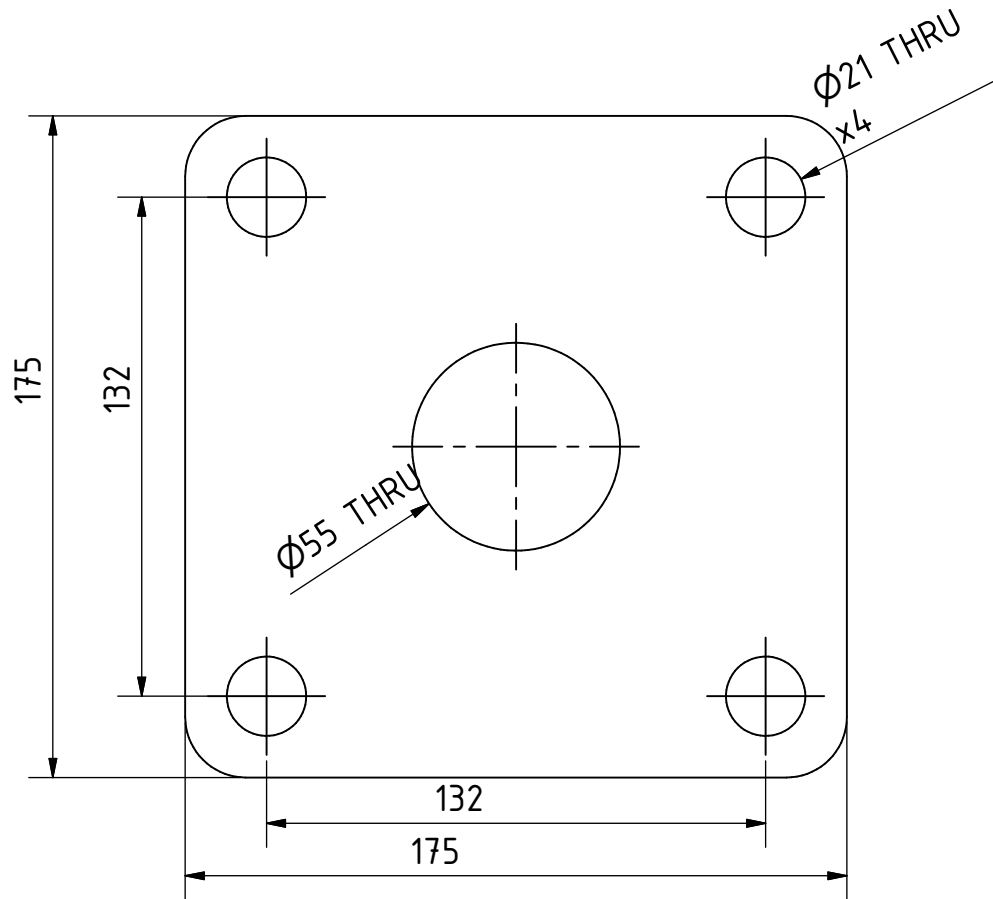


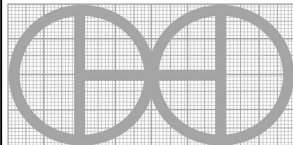
Ø15 THRU
x4

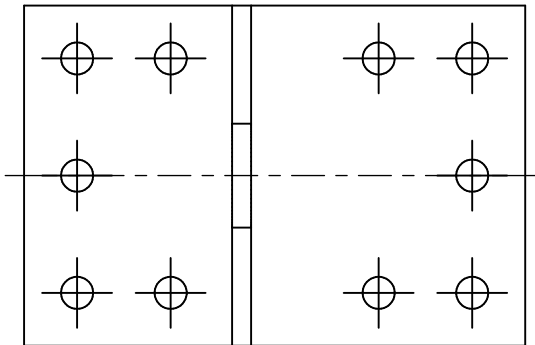
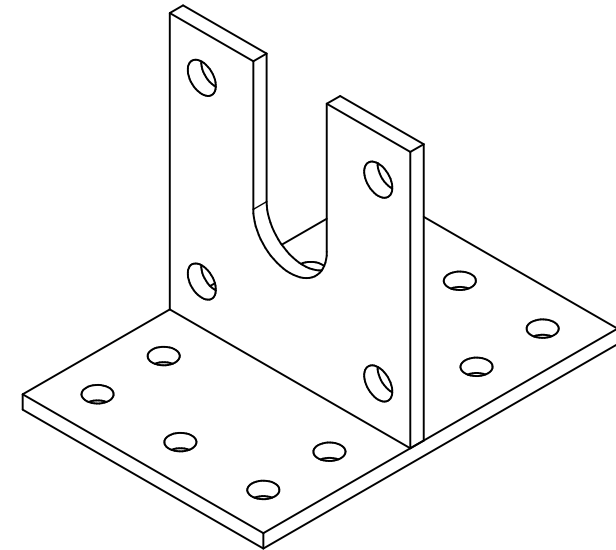
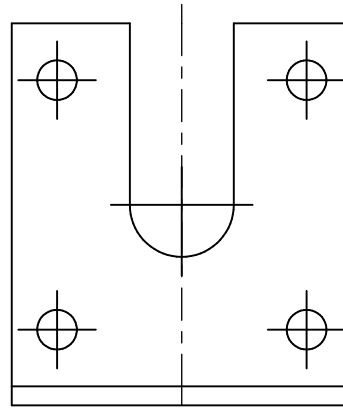
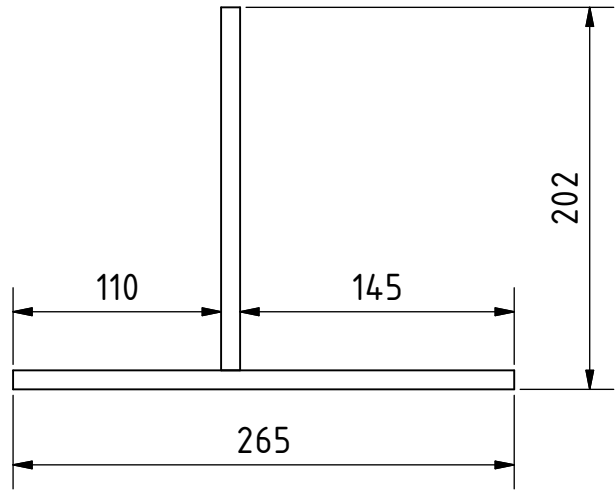
Ø55 THRU



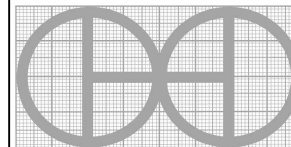
PROJECT	CREATED BY	APPROVED BY	DATE	VERSION
Vertical Drum Hemp Harvester	A. Morillo	D. Jaeger	22-05-2024	0.06
PART NAME	SPECIFICACIONES			CODE
Reinforcement plate	Steel 235J2, for bearing UCF 210			1.8.0
DEVELOPED BY	REDESIGNED BY	FILENAME	QTY	
		1.8.ipt	4	
Hanfasser		LICENSE	DOC. TYPE	SCALE SHEET
		CC-BY-SA 4.0	Part	2 : 3 71 /215



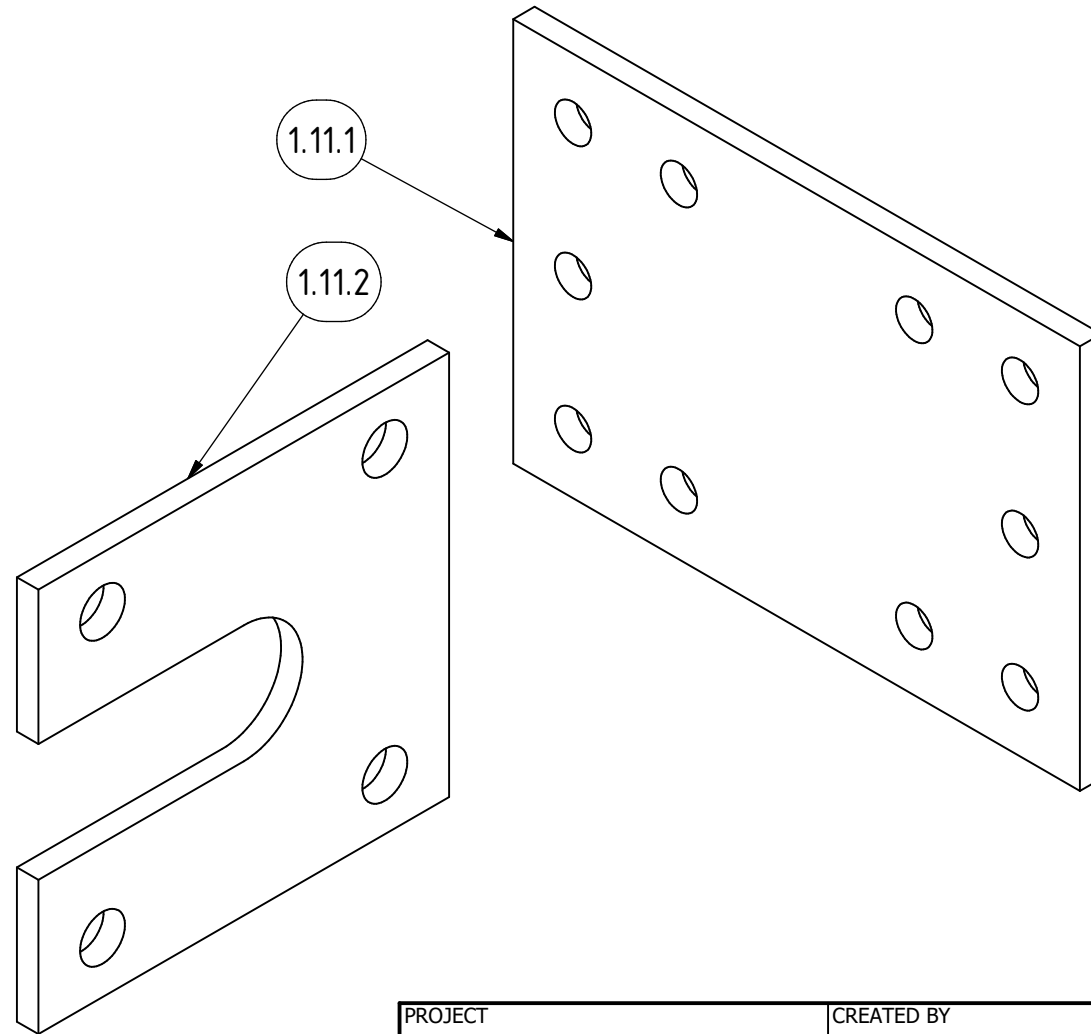
PROJECT	CREATED BY	APPROVED BY	DATE	VERSION
Vertical Drum Hemp Harvester	A. Morillo	D. Jaeger	22-05-2024	0.06
PART NAME	SPECIFICACIONES			CODE
Reinforcement plate	Steel 235J2, for bearing UCF 310			1.9.0
DEVELOPED BY	REDESIGNED BY	FILENAME	QTY	
		1.9.ipt	4	
Hanfasser		LICENSE	DOC. TYPE	SHEET
		CC-BY-SA 4.0	Part	72 /215
		OHO e.V.	SCALE	
			1 : 2	

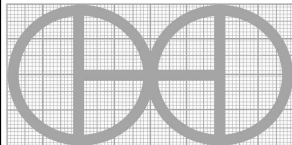


PROJECT	CREATED BY	APPROVED BY	DATE	VERSION
Vertical Drum Hemp Harvester	A. Morillo	D. Jaeger	22-05-2024	0.06
PART NAME	SPECIFICACIONES			CODE
Bracket for flange mounting				1.11.0
DEVELOPED BY	REDESIGNED BY	FILENAME		QTY
		1.11.iam		2
		LICENSE	DOC. TYPE	SCALE
Handfasser		CC-BY-SA 4.0	Assembly	1 : 4
				SHEET
				73 /215

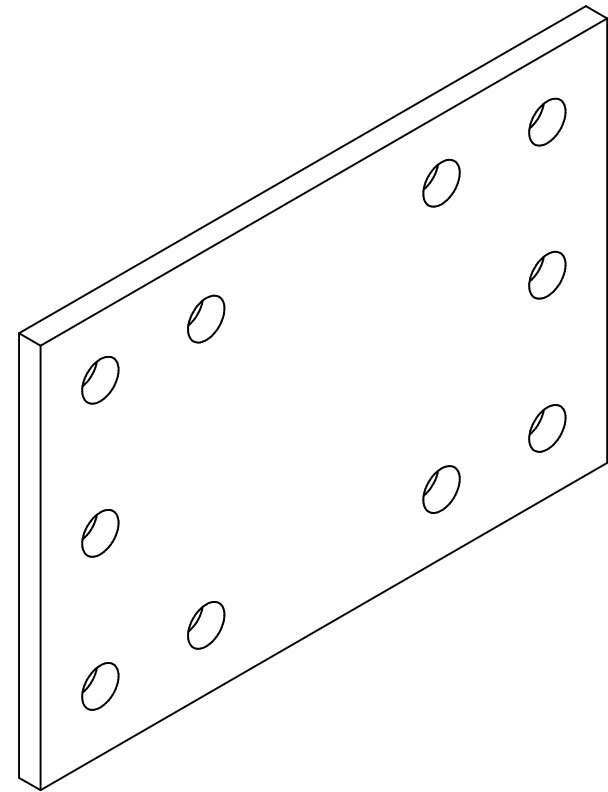
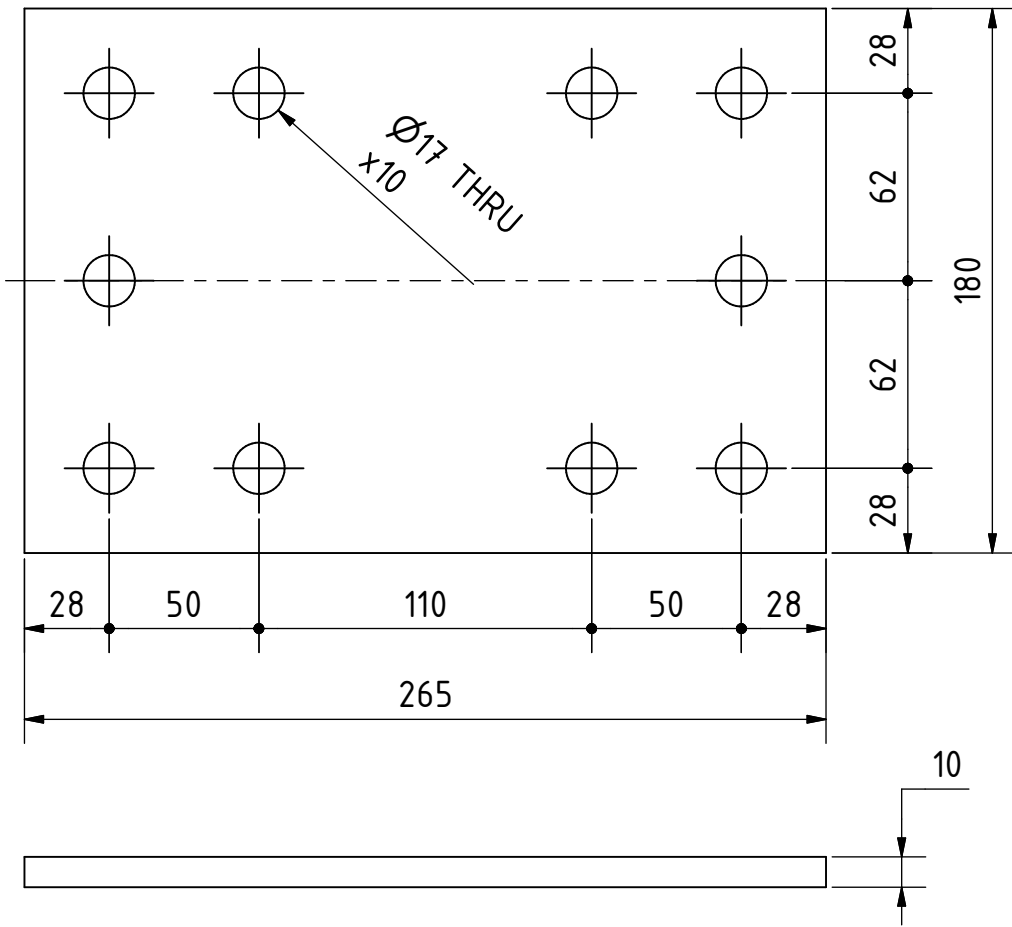


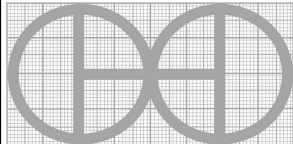
OHO e.V.

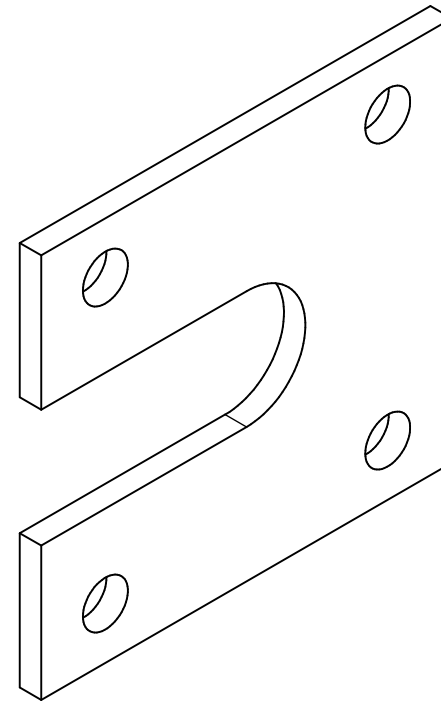
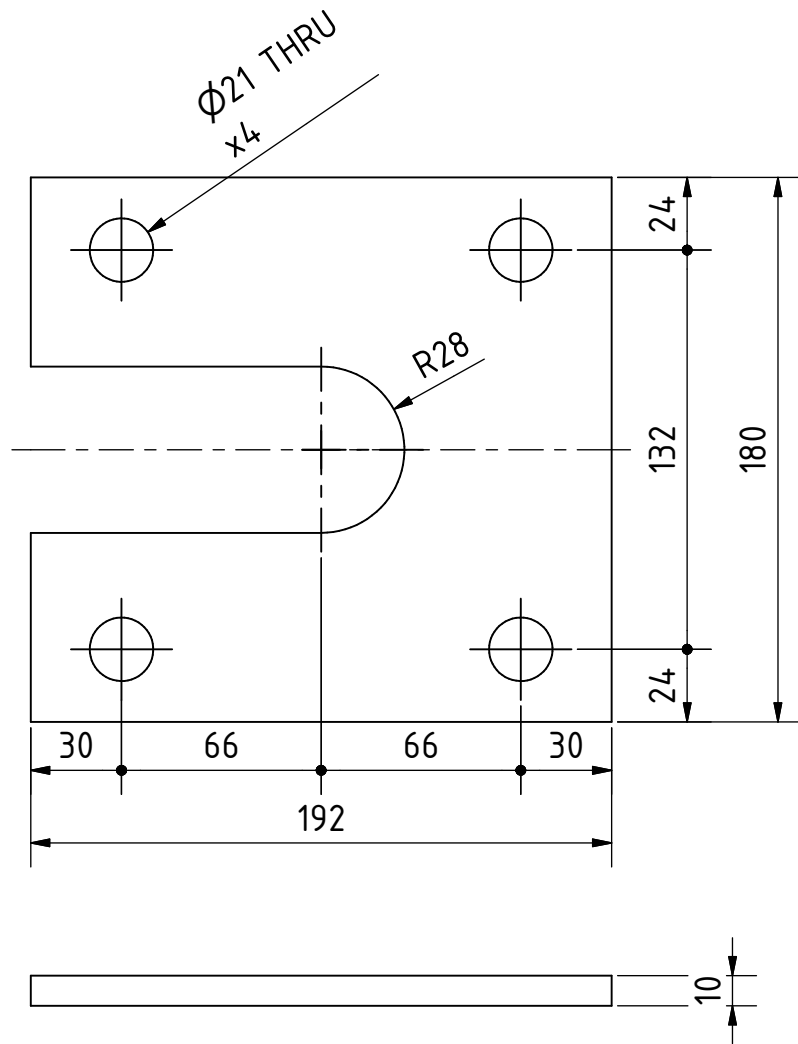


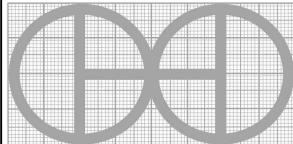
PROJECT	CREATED BY	APPROVED BY	DATE	VERSION
Vertical Drum Hemp Harvester	A. Morillo	D. Jaeger	22-05-2024	0.06
PART NAME	SPECIFICACIONES			CODE
Bracket for flange mounting				1.11.0
DEVELOPED BY	REDESIGNED BY	FILENAME	QTY	
		1.11.ipn	2	
		LICENSE	DOC. TYPE	SCALE
Hanfasser		CC-BY-SA 4.0	Assembly	2 : 5
				SHEET
				74 /215

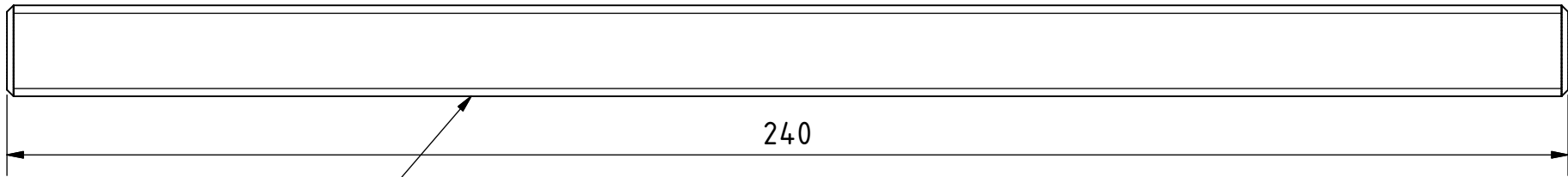
OHO e.V.



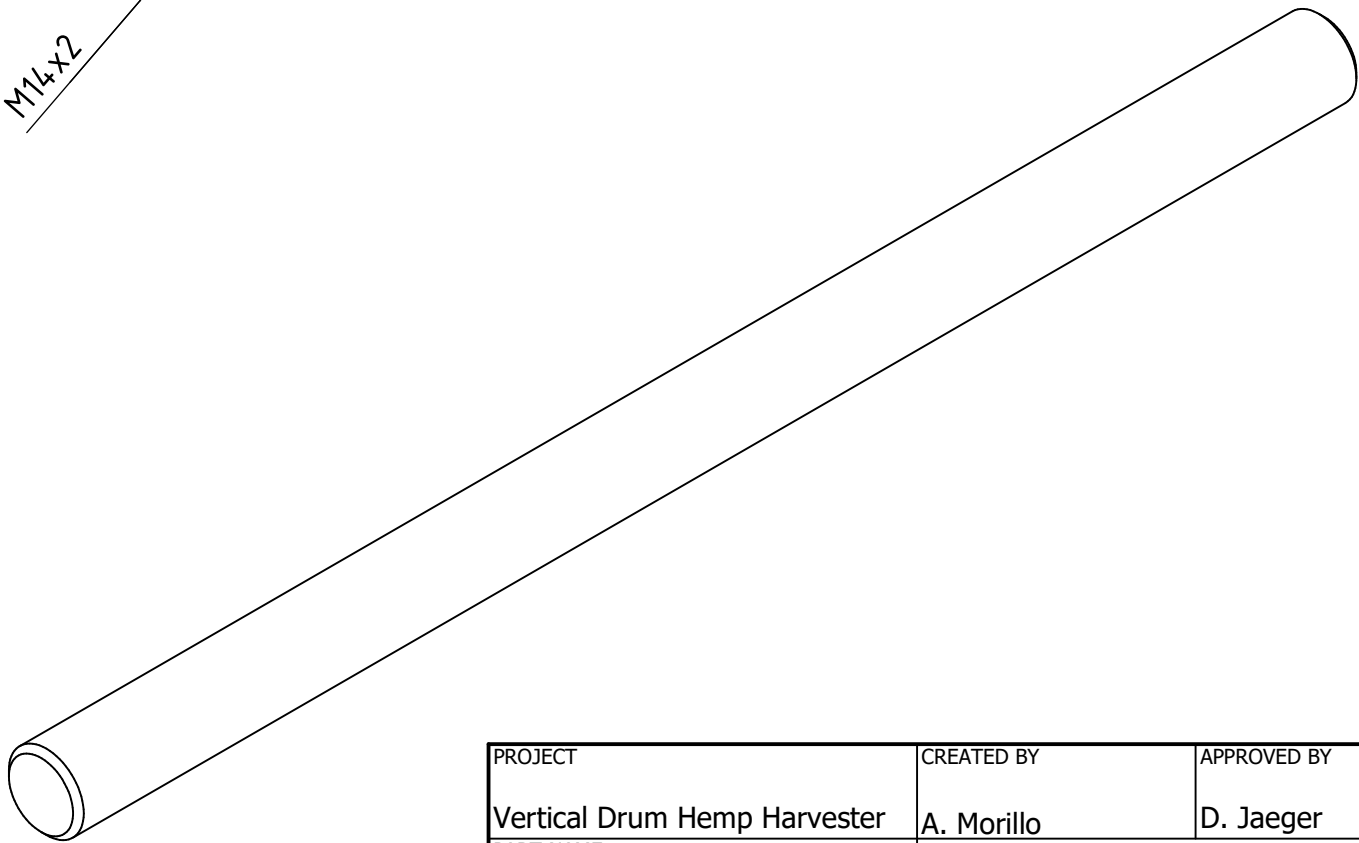
PROJECT	CREATED BY	APPROVED BY	DATE	VERSION	
Vertical Drum Hemp Harvester	A. Morillo	D. Jaeger	22-05-2024	0.06	
PART NAME	SPECIFICACIONES			CODE	
Part 1.11.1	Steel 235J2			1.11.1	
DEVELOPED BY	REDESIGNED BY	FILENAME		QTY	
		1.11.1.ipt		2	
Hanfasser		LICENSE	DOC. TYPE	SCALE	SHEET
		CC-BY-SA 4.0	Part	2 : 5	75 /215

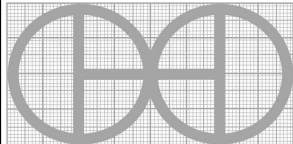


PROJECT	CREATED BY	APPROVED BY	DATE	VERSION	
Vertical Drum Hemp Harvester	A. Morillo	D. Jaeger	22-05-2024	0.06	
PART NAME	SPECIFICACIONES			CODE	
Part 1.11.2	Steel 235J2			1.11.2	
DEVELOPED BY	REDESIGNED BY	FILENAME		QTY	
		1.11.2.ipt		2	
Hanfasser	OHO e.V.	LICENSE	DOC. TYPE	SCALE	SHEET
		CC-BY-SA 4.0	Part	2 : 5	76 /215

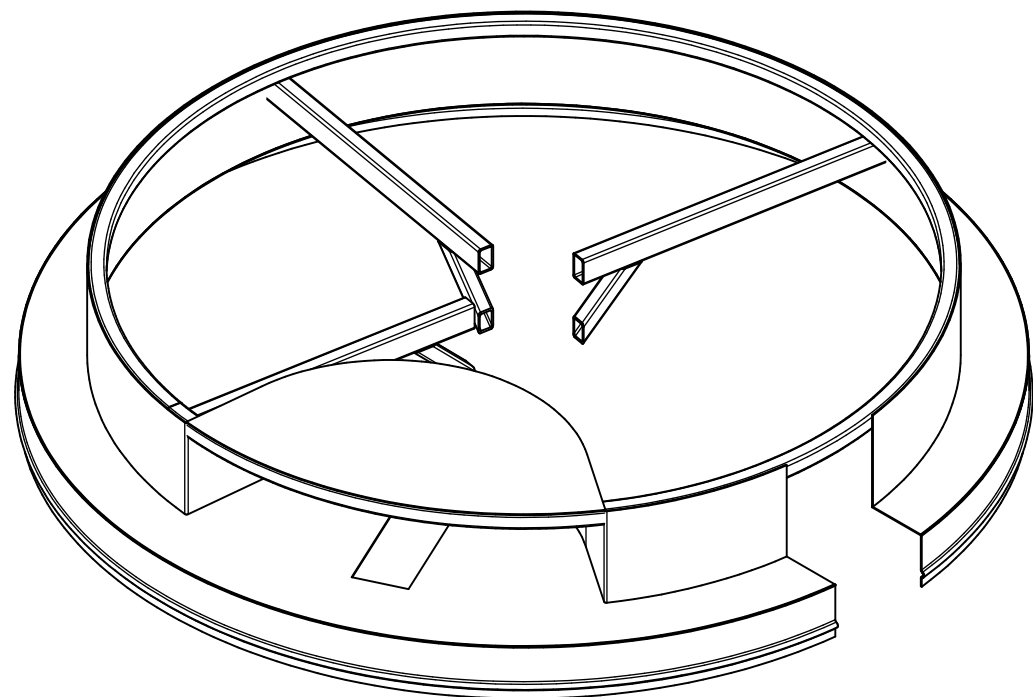
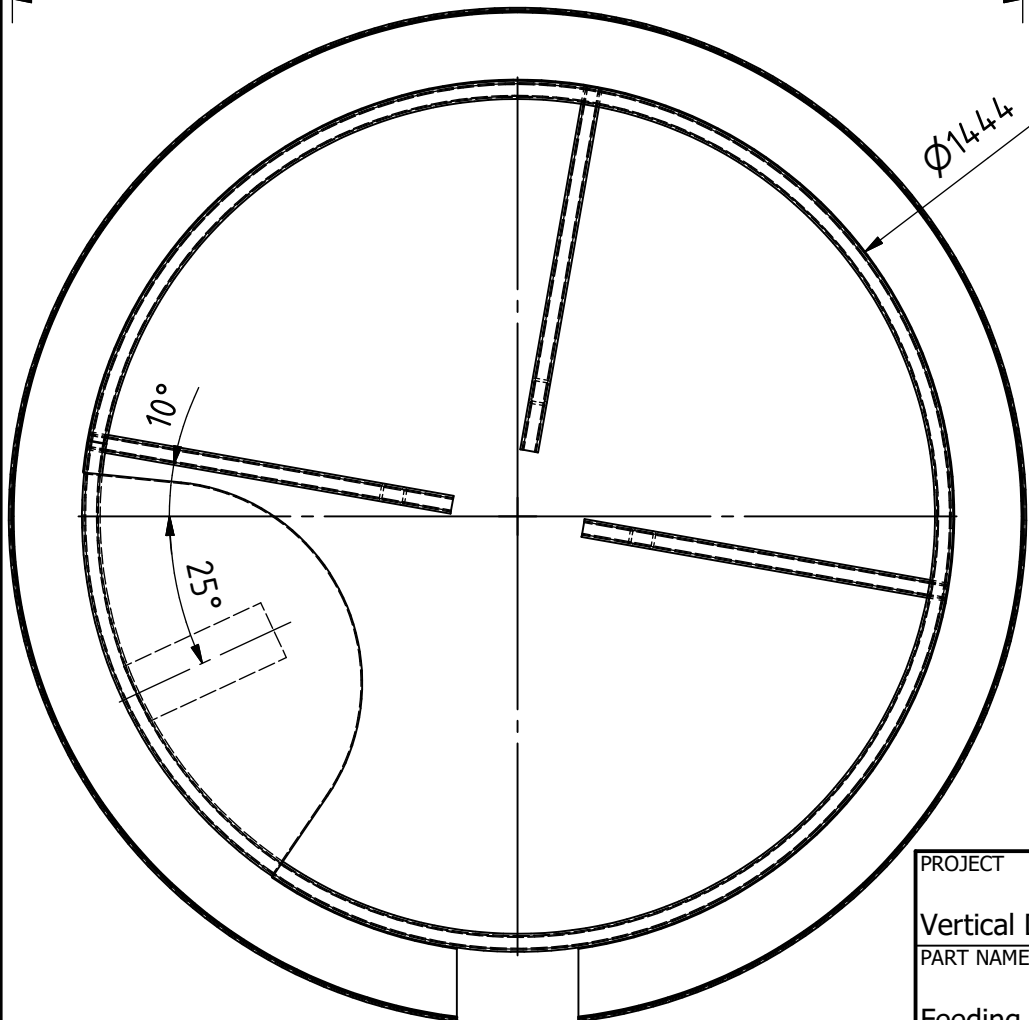
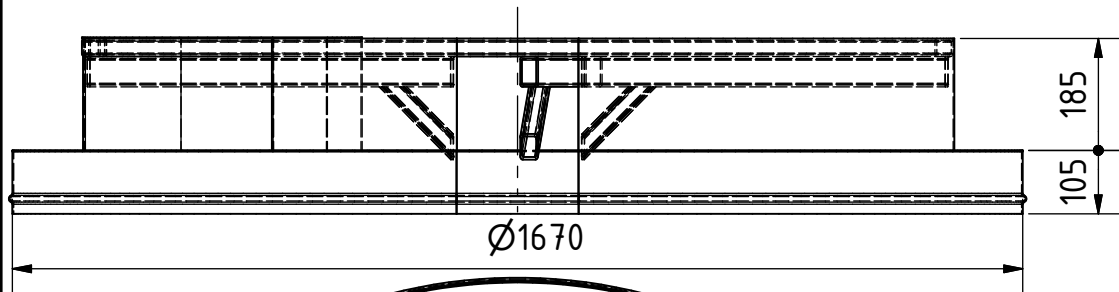


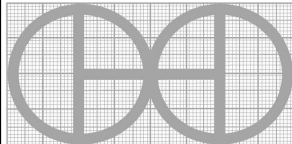
M14x2

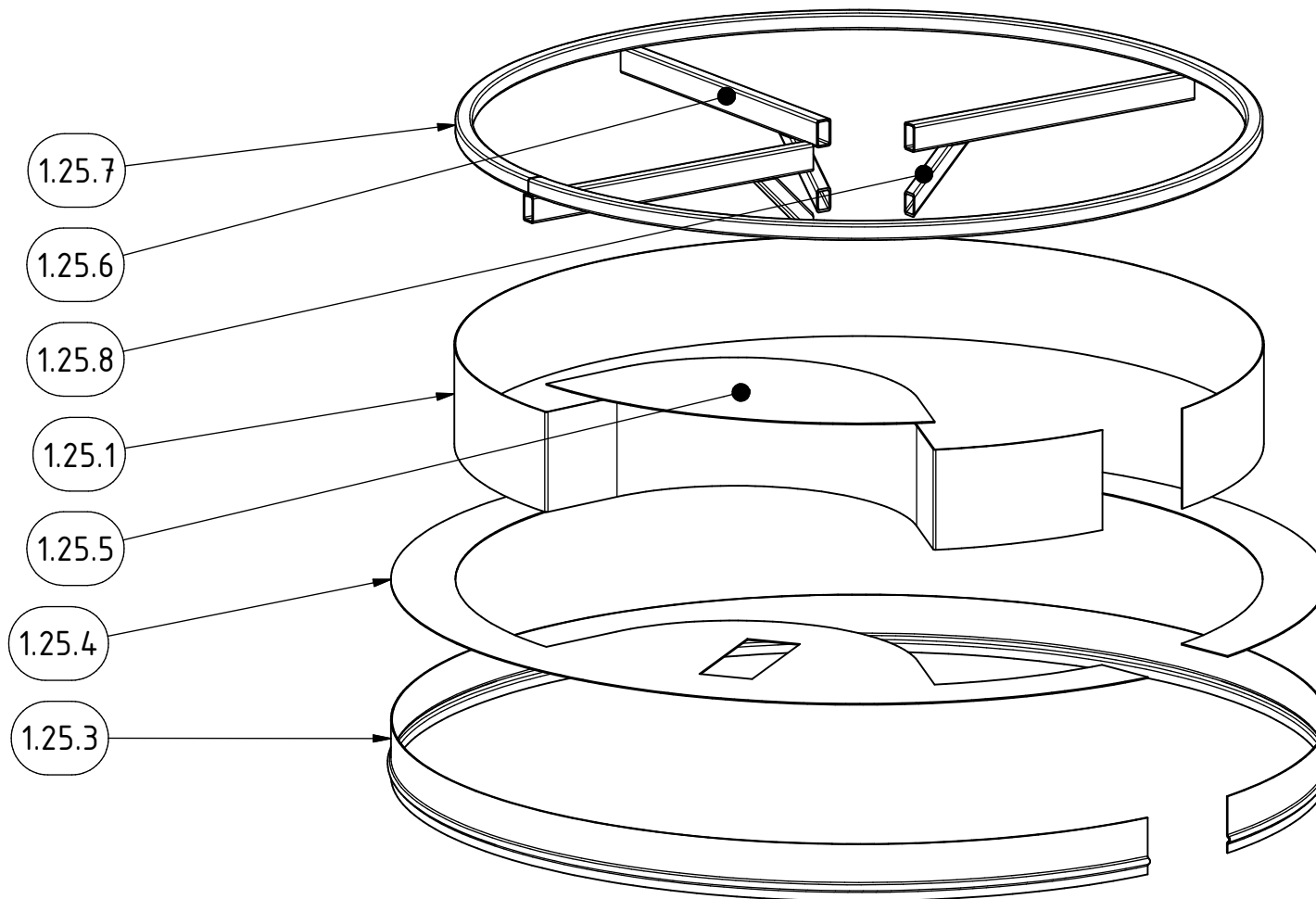


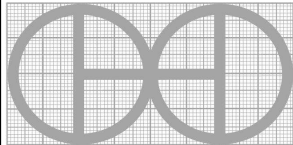
PROJECT	CREATED BY	APPROVED BY	DATE	VERSION	
Vertical Drum Hemp Harvester	A. Morillo	D. Jaeger	22-05-2024	0.06	
PART NAME	SPECIFICACIONES			CODE	
Thread M14	Treaded bar M14*240 NC			1.24.0	
DEVELOPED BY	REDESIGNED BY	FILENAME		QTY	
Hanfasser		1.24.ipt		6	
		LICENSE	DOC. TYPE	SCALE	SHEET
		CC-BY-SA 4.0	Part	1 : 1	77 /215

OHO e.V.

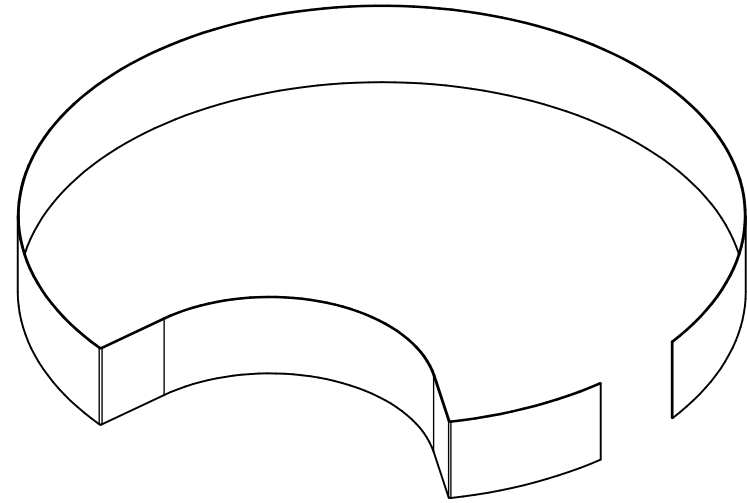
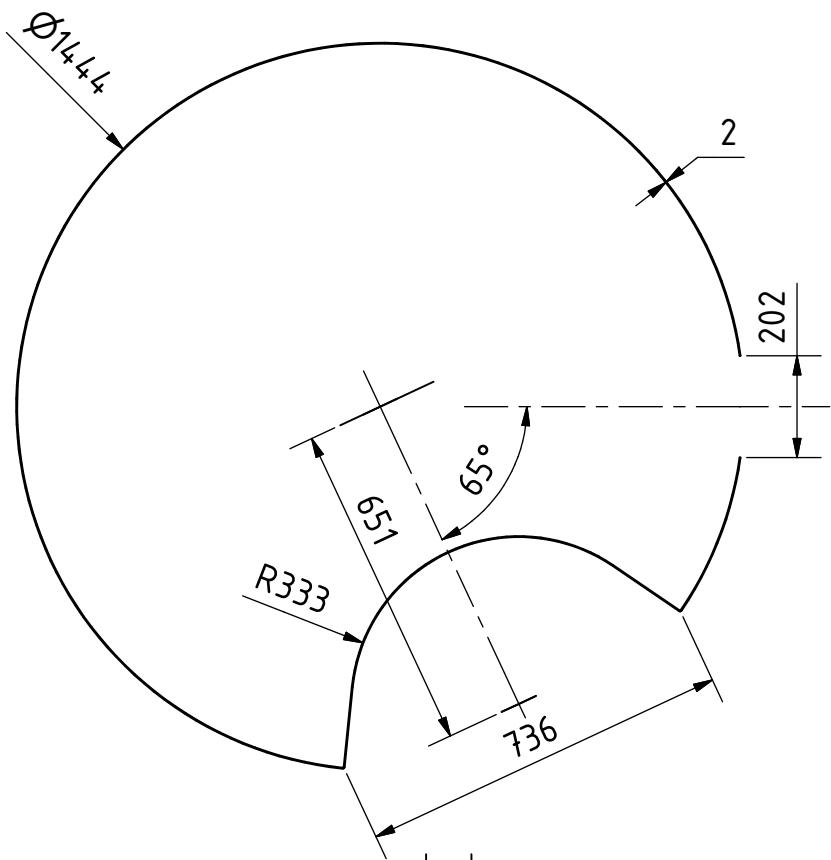


PROJECT	CREATED BY	APPROVED BY	DATE	VERSION
Vertical Drum Hemp Harvester	A. Morillo	D. Jaeger	22-05-2024	0.06
PART NAME	SPECIFICACIONES			CODE
Feeding drums 1				1.25.0
DEVELOPED BY	REDESIGNED BY	FILENAME		QTY
		1.25.iam		2
Hanfasser		LICENSE	DOC. TYPE	SCALE
		CC-BY-SA 4.0	Assembly	2 : 25
				SHEET
				78 /215

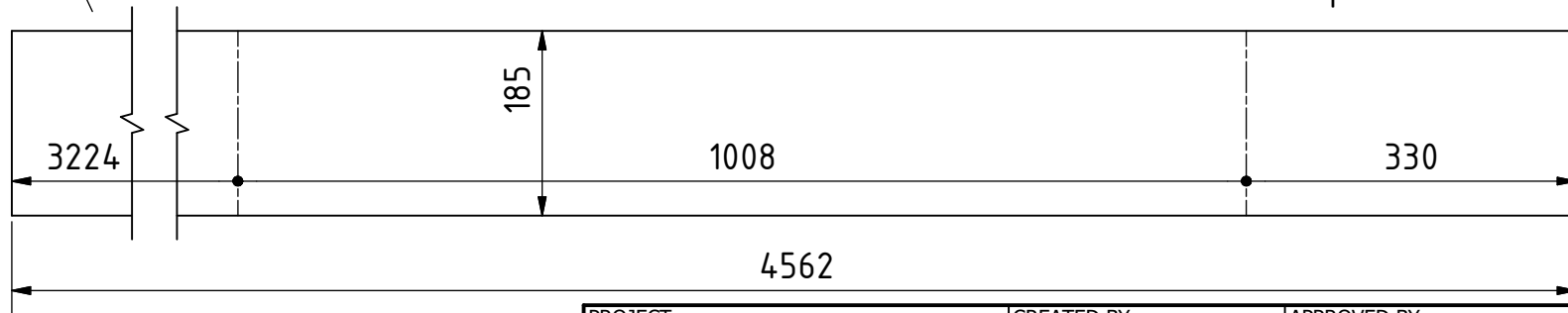


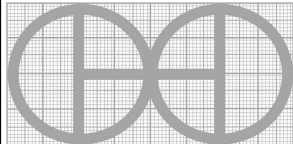
PROJECT	CREATED BY	APPROVED BY	DATE	VERSION
Vertical Drum Hemp Harvester	A. Morillo	D. Jaeger	22-05-2024	0.06
PART NAME	SPECIFICACIONES			CODE
Feeding drums 1				1.25.0
DEVELOPED BY	REDESIGNED BY	FILENAME		QTY
		1.25.ipn		2
		LICENSE	DOC. TYPE	SCALE
Hanfasser		CC-BY-SA 4.0	Assembly	2 : 25
				SHEET
				79 /215

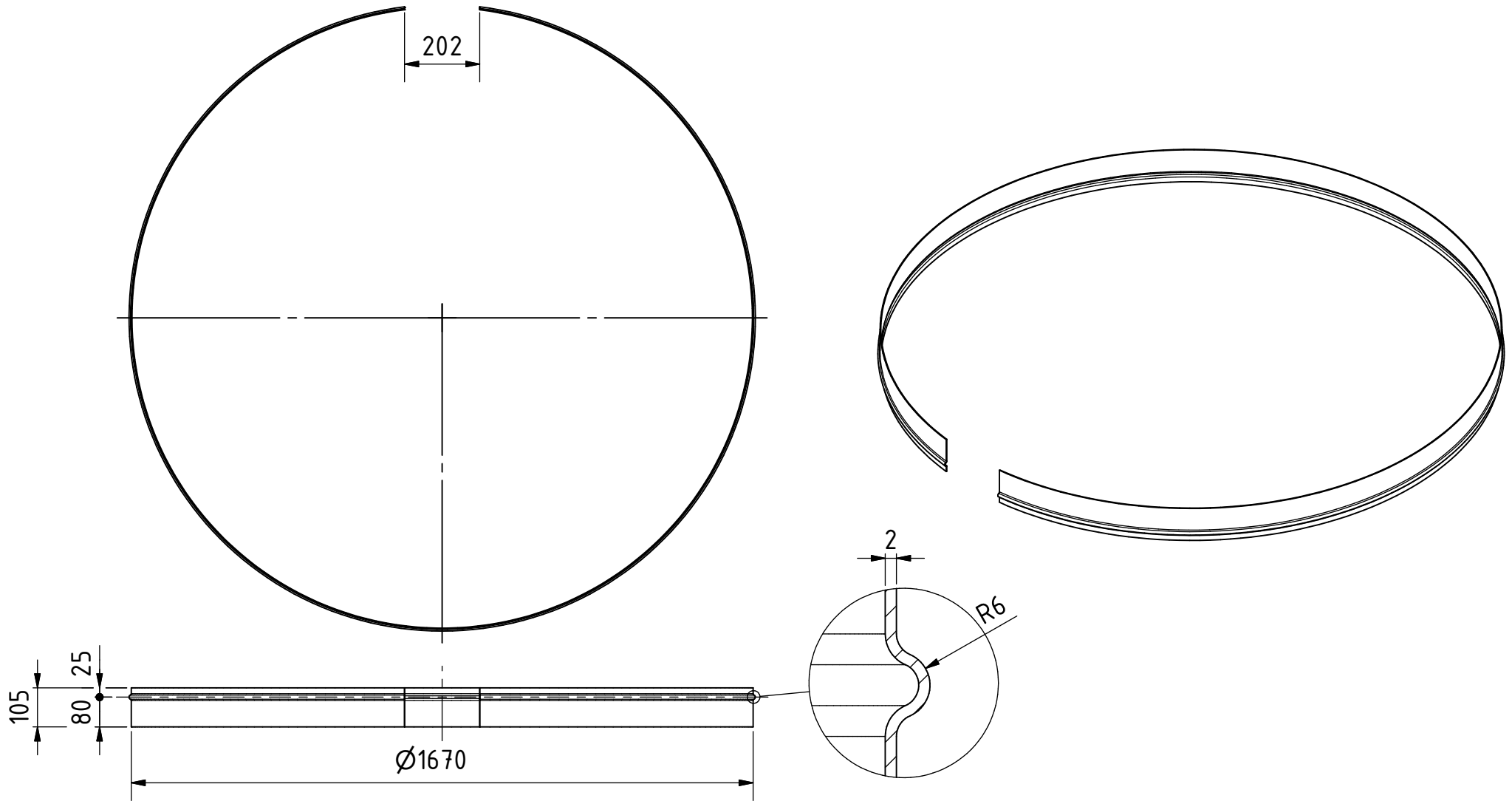
OHO e.V.



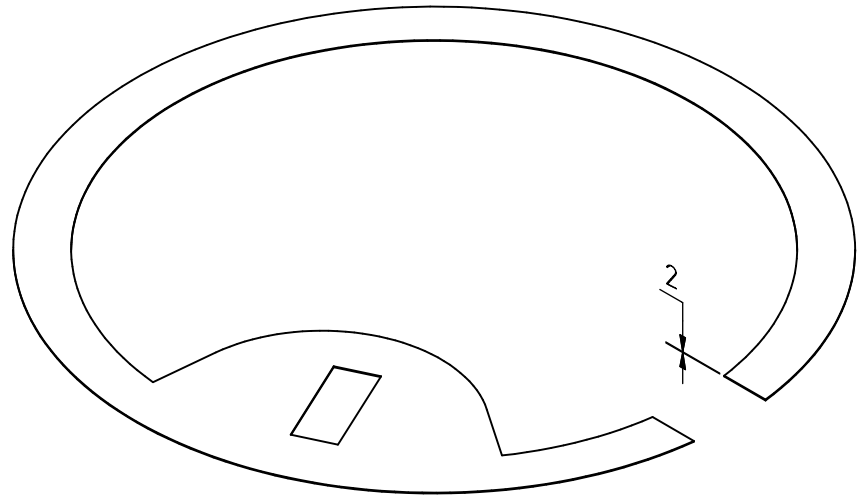
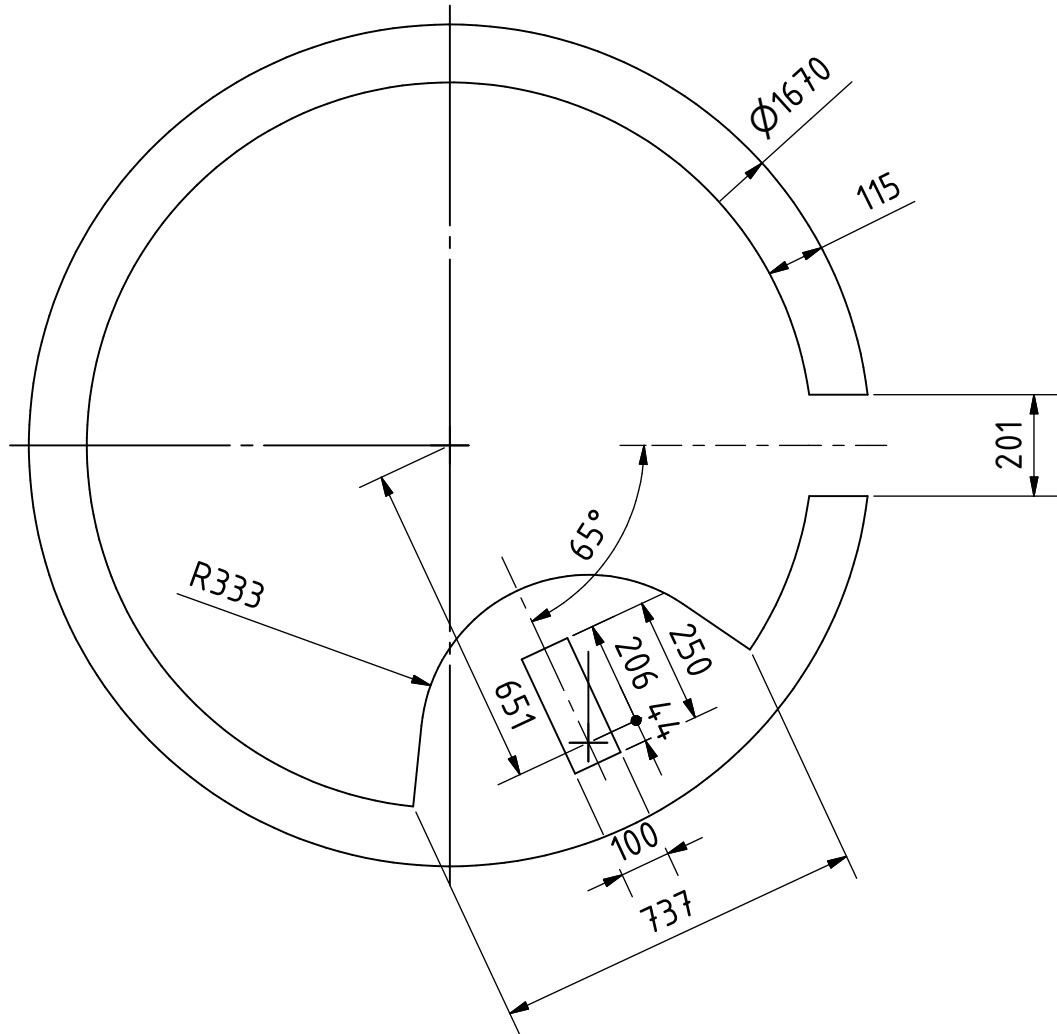
Flat pattern

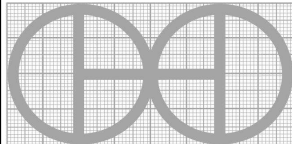


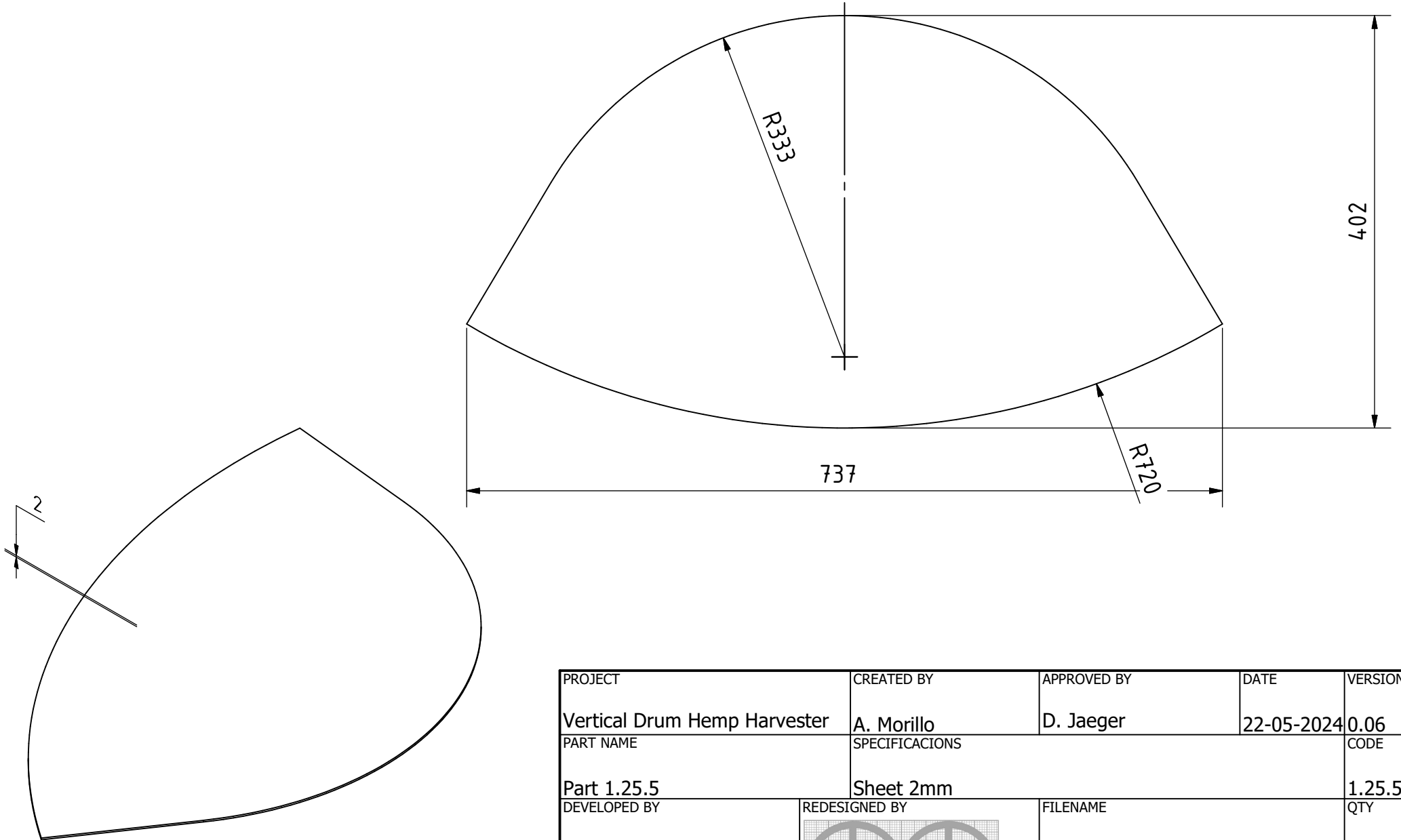
PROJECT	CREATED BY	APPROVED BY	DATE	VERSION
Vertical Drum Hemp Harvester	A. Morillo	D. Jaeger	22-05-2024	0.06
PART NAME	SPECIFICACIONES			CODE
Part 1.25.1	Sheet 2mm			1.25.1
DEVELOPED BY	REDESIGNED BY	FILENAME		QTY
		1.25.1.ipt		2
Hanfasser		LICENSE	DOC. TYPE	SCALE
		CC-BY-SA 4.0	Part	1 : 15
				80 /215

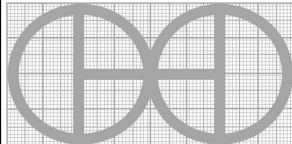


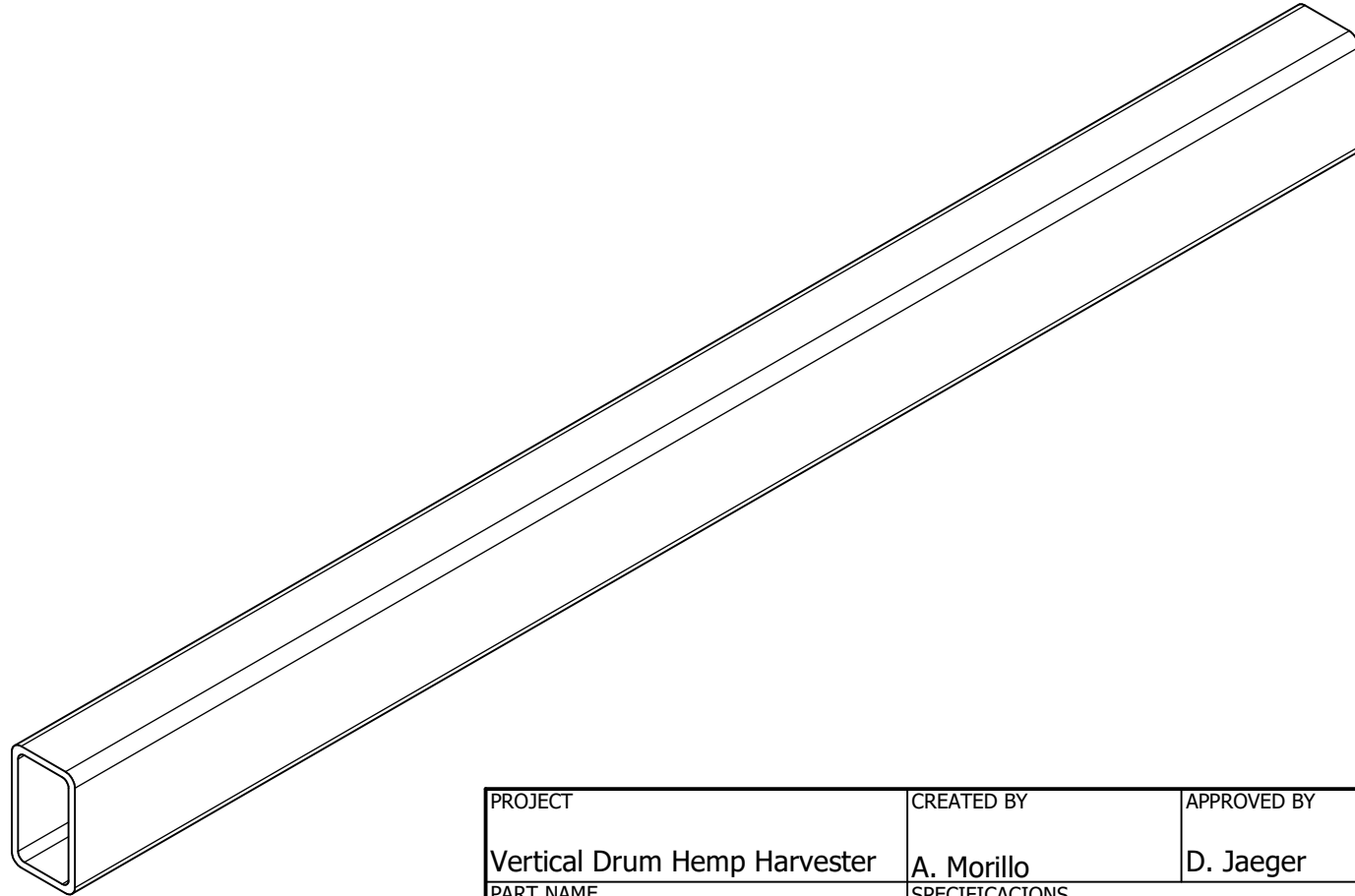
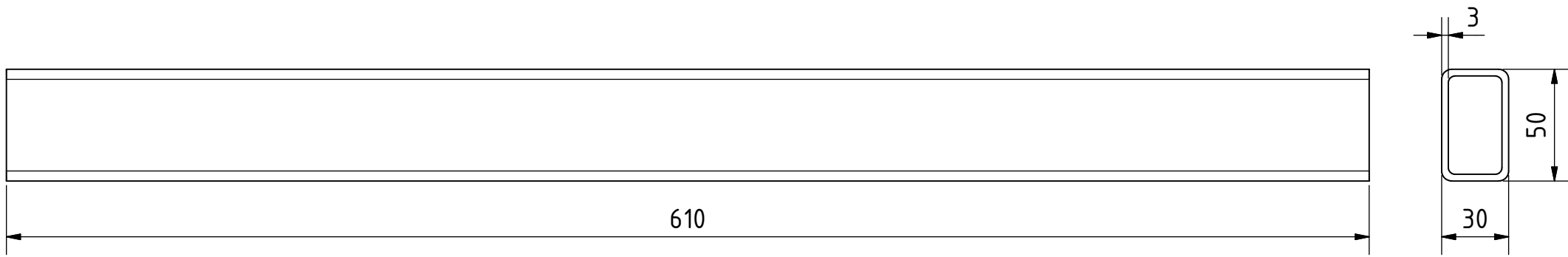
PROJECT	CREATED BY	APPROVED BY	DATE	VERSION
Vertical Drum Hemp Harvester	A. Morillo	D. Jaeger	22-05-2024	0.06
PART NAME	SPECIFICACIONES			CODE
Part 1.25.3	Sheet 2mm			1.25.3
DEVELOPED BY	REDESIGNED BY	FILENAME		QTY
		1.25.3.ipt		2
		LICENSE	DOC. TYPE	SCALE
		CC-BY-SA 4.0	Part	1 : 15
Handfasser				81 / 215

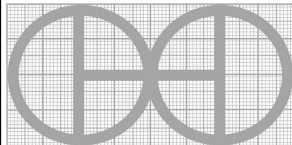


PROJECT		CREATED BY		APPROVED BY		DATE		VERSION		
Vertical Drum Hemp Harvester		A. Morillo		D. Jaeger		22-05-2024		0.06		
PART NAME			SPECIFICACIONES					CODE		
Part 1.25.4			Sheet 2mm					1.25.4		
DEVELOPED BY			REDESIGNED BY		FILENAME			QTY		
Hanfasser					1.25.4.ipt			2		
					LICENSE		DOC. TYPE		SCALE	SHEET
					CC-BY-SA 4.0		Part		1 : 15	82 /215

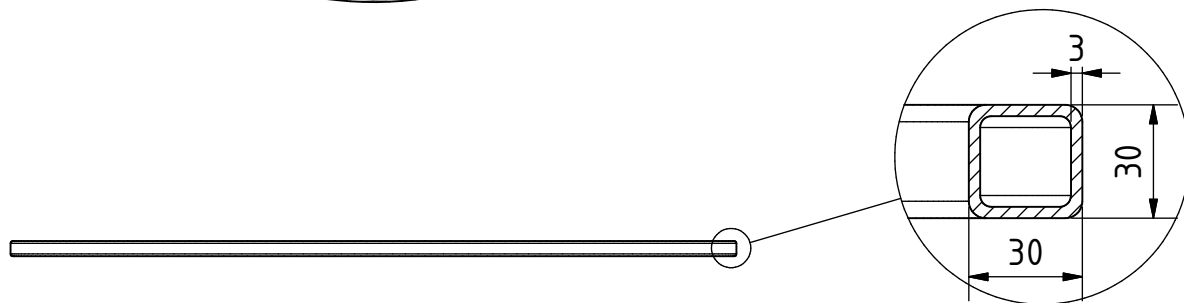
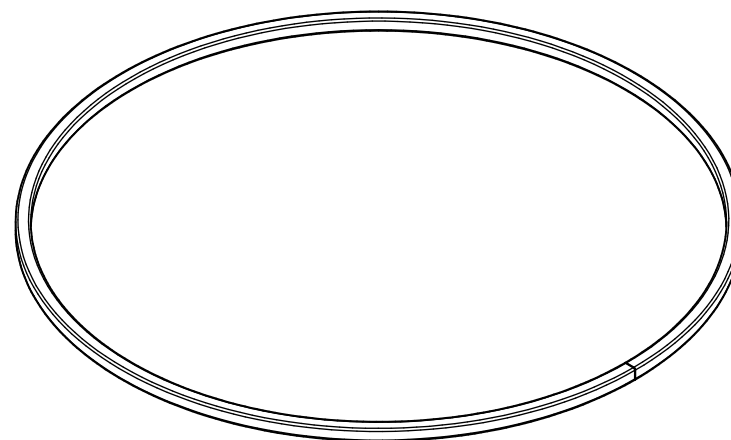
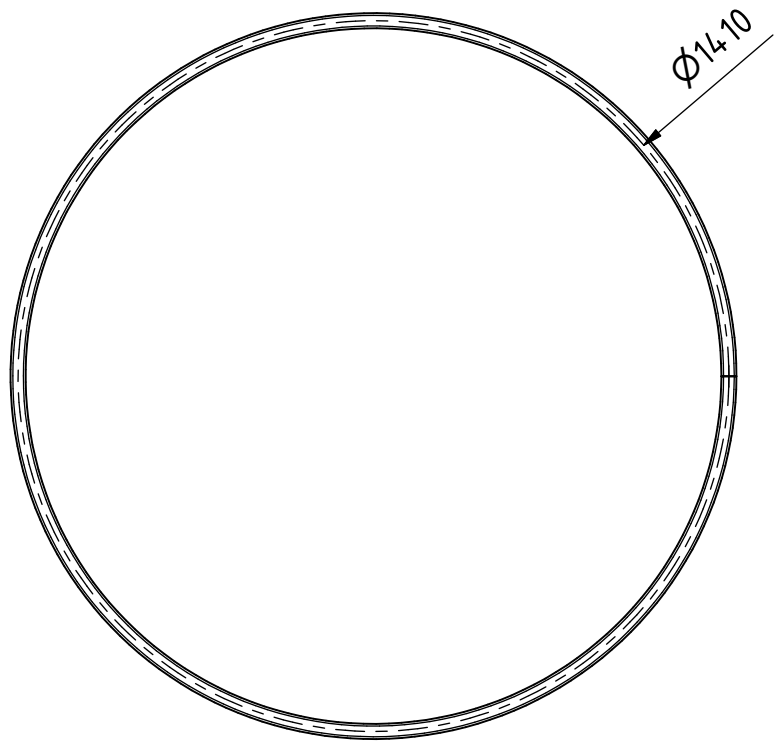


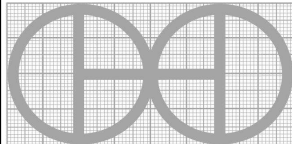
PROJECT	CREATED BY	APPROVED BY	DATE	VERSION	
Vertical Drum Hemp Harvester	A. Morillo	D. Jaeger	22-05-2024	0.06	
PART NAME	SPECIFICACIONES			CODE	
Part 1.25.5	Sheet 2mm			1.25.5	
DEVELOPED BY	REDESIGNED BY	FILENAME		QTY	
Hanfasser		OHO e.V. 1.25.5.ipt		2	
		LICENSE	DOC. TYPE	SCALE	SHEET
		CC-BY-SA 4.0	Part	1 : 5	83 /215

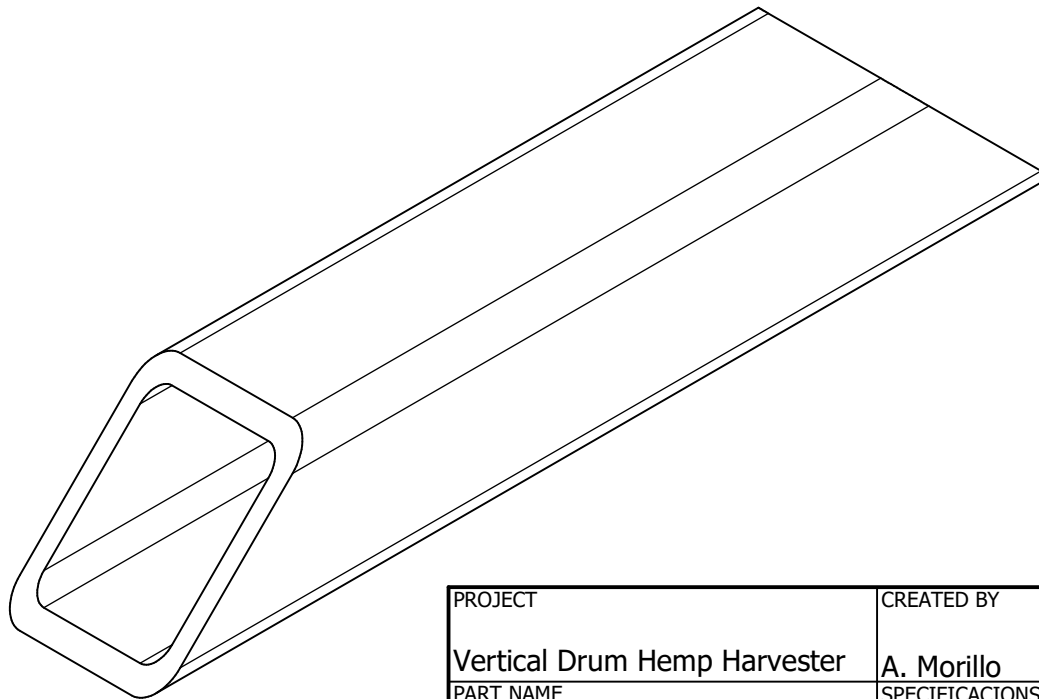
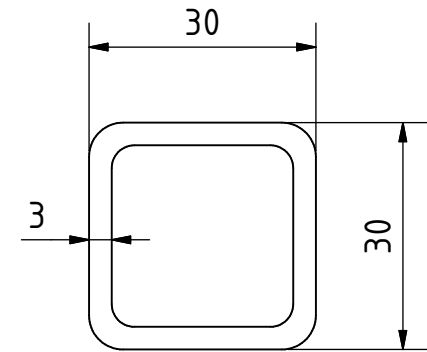
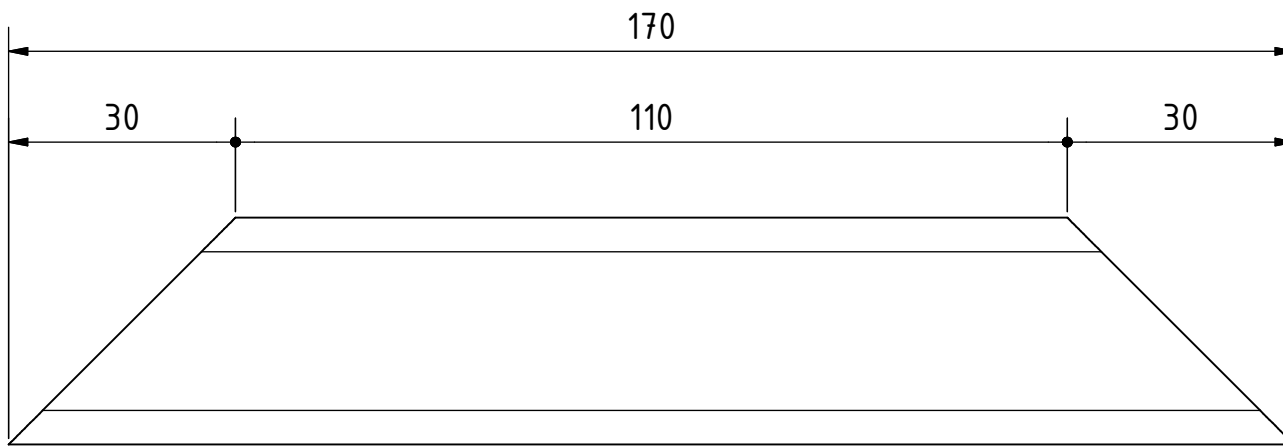


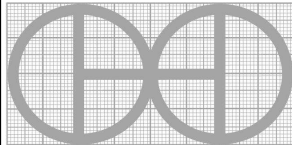
PROJECT	CREATED BY	APPROVED BY	DATE	VERSION	
Vertical Drum Hemp Harvester	A. Morillo	D. Jaeger	22-05-2024	0.06	
PART NAME	SPECIFICACIONES			CODE	
Part 1.25.6	Rectangle profile 50*30*3 mm			1.25.6	
DEVELOPED BY	REDESIGNED BY	FILENAME		QTY	
Hanfasser		1.25.6.ipt		6	
		LICENSE	DOC. TYPE	SCALE	SHEET
		CC-BY-SA 4.0	Part	2 : 5	84 /215

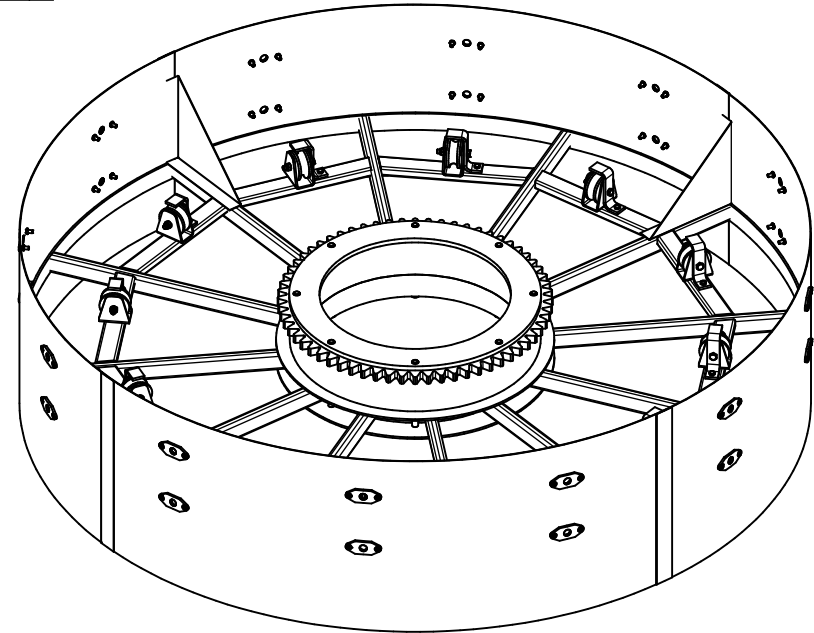
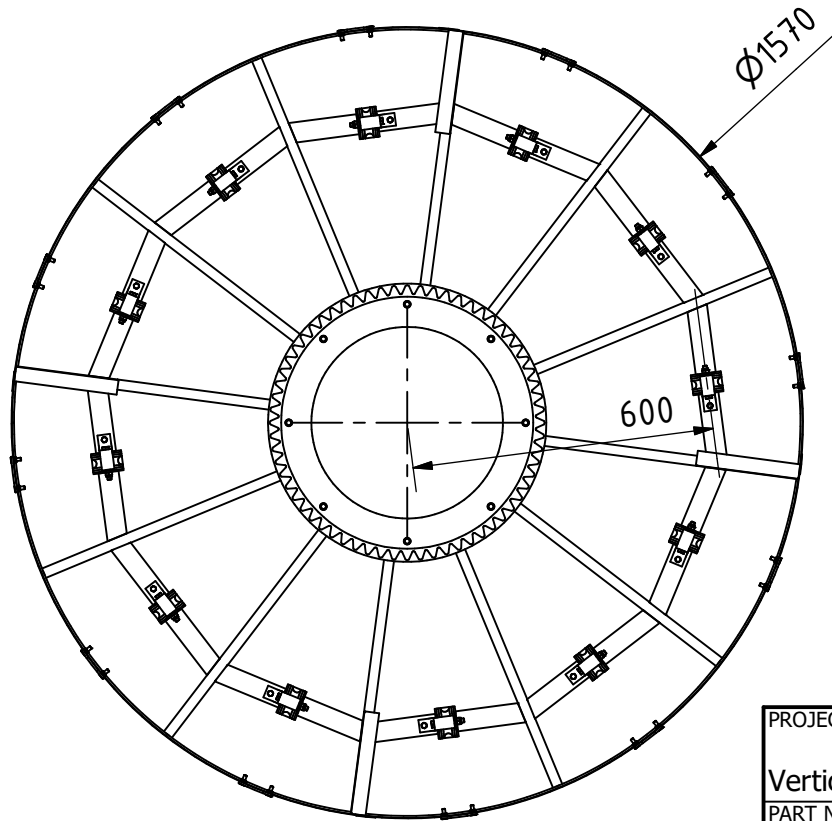
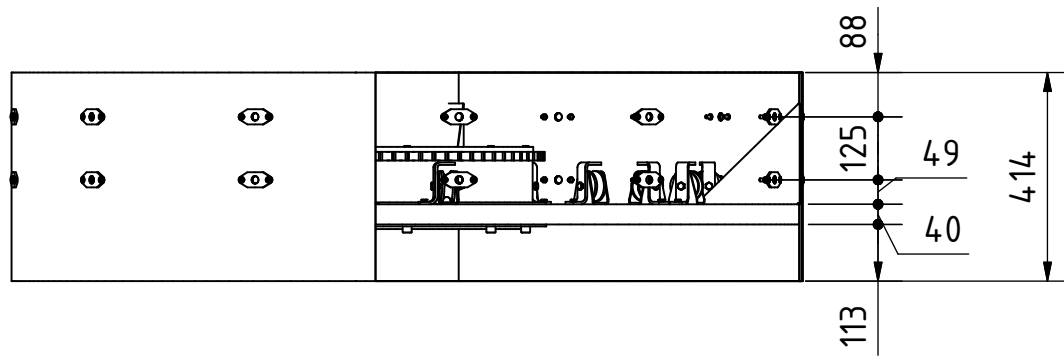
OHO e.V.



PROJECT	CREATED BY	APPROVED BY	DATE	VERSION	
Vertical Drum Hemp Harvester	A. Morillo	D. Jaeger	22-05-2024	0.06	
PART NAME	SPECIFICACIONES			CODE	
Part 1.25.7	Square profile 30*30*3 mm			1.25.7	
DEVELOPED BY	REDESIGNED BY	FILENAME		QTY	
Hanfasser		1.25.7.ipt		2	
		LICENSE	DOC. TYPE	SCALE	SHEET
		CC-BY-SA 4.0	Part	1 : 15	85 / 215

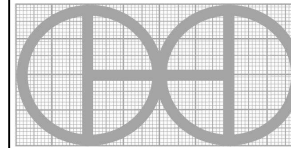


PROJECT	CREATED BY	APPROVED BY	DATE	VERSION
Vertical Drum Hemp Harvester	A. Morillo	D. Jaeger	22-05-2024	0.06
PART NAME	SPECIFICACIONES			CODE
Part 1.25.8	Square profile 30*30*3 mm			1.25.8
DEVELOPED BY	REDESIGNED BY	FILENAME		QTY
		1.25.8.ipt		6
		LICENSE	DOC. TYPE	SCALE
Hanfasser		CC-BY-SA 4.0	Part	1 : 1
				SHEET
				86 /215

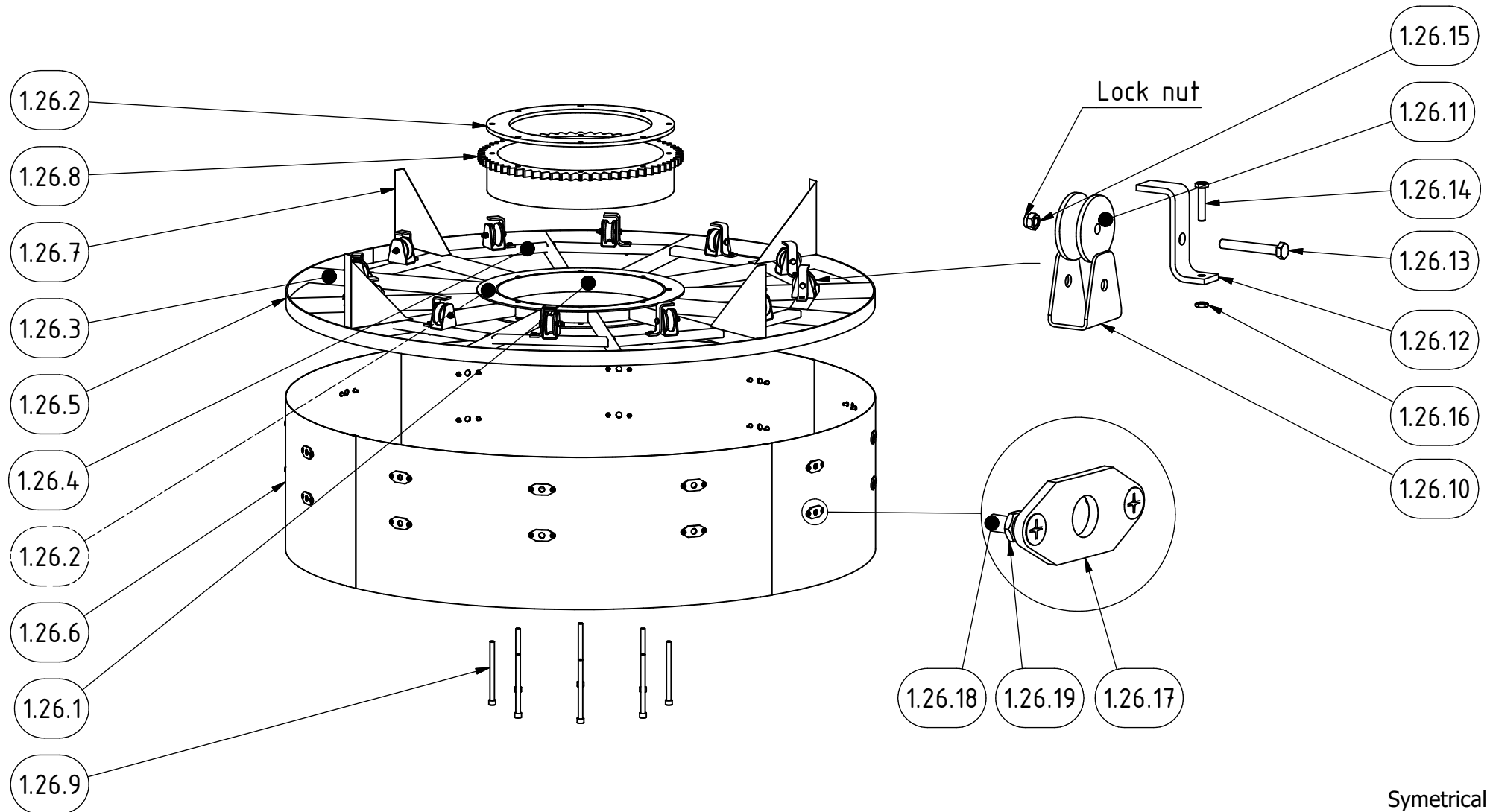


Symetrical sets

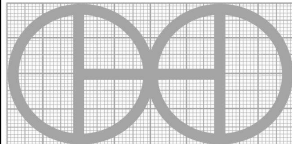
PROJECT	CREATED BY	APPROVED BY	DATE	VERSION
Vertical Drum Hemp Harvester	A. Morillo	D. Jaeger	22-05-2024	0.06
PART NAME	SPECIFICACIONES			CODE
Feed drum bottom				1.26.0
DEVELOPED BY	REDESIGNED BY	FILENAME	QTY	
		1.26.iam	2	
		LICENSE	DOC. TYPE	SCALE SHEET
Hanfasser		CC-BY-SA 4.0	Assembly	1 : 15 87 /215



OHO e.V.

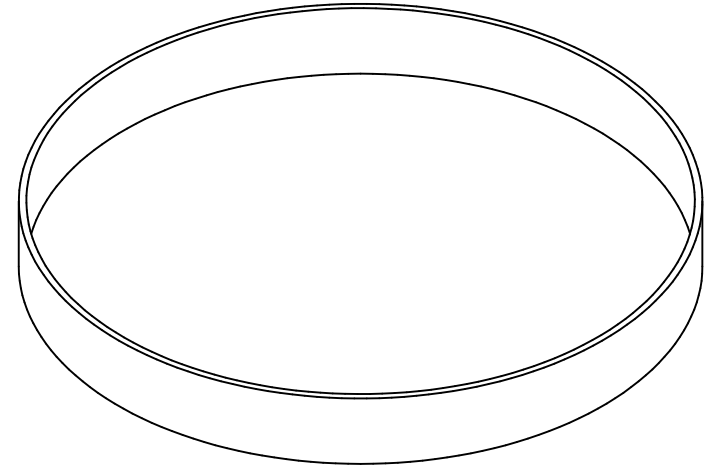
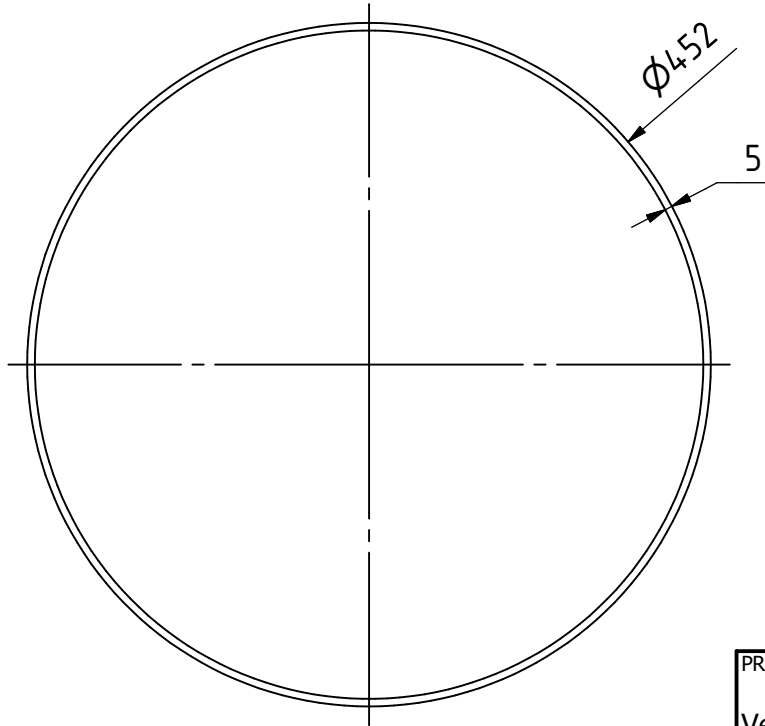


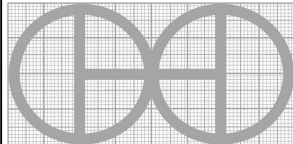
Symetrical sets

PROJECT	CREATED BY	APPROVED BY	DATE	VERSION
Vertical Drum Hemp Harvester	A. Morillo	D. Jaeger	22-05-2024	0.06
PART NAME	SPECIFICACIONES			CODE
Feed drum bottom				1.26.0
DEVELOPED BY	REDESIGNED BY	FILENAME	QTY	
		1.26.ipn	2	
		LICENSE	DOC. TYPE	SHEET
Hanfasser		CC-BY-SA 4.0	Assembly	88 /215

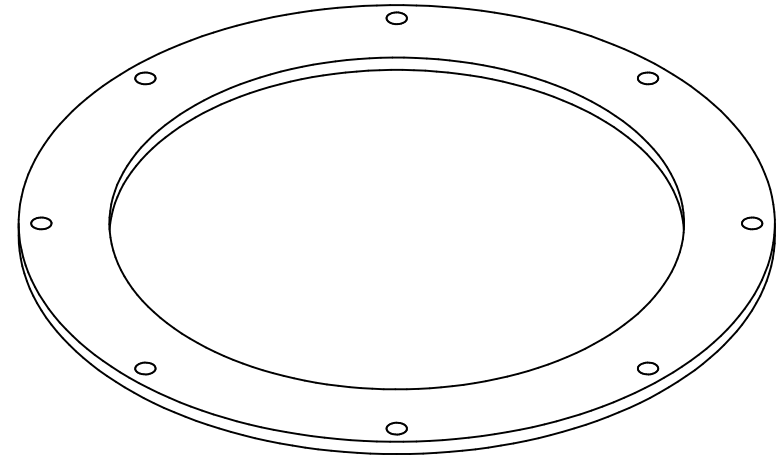
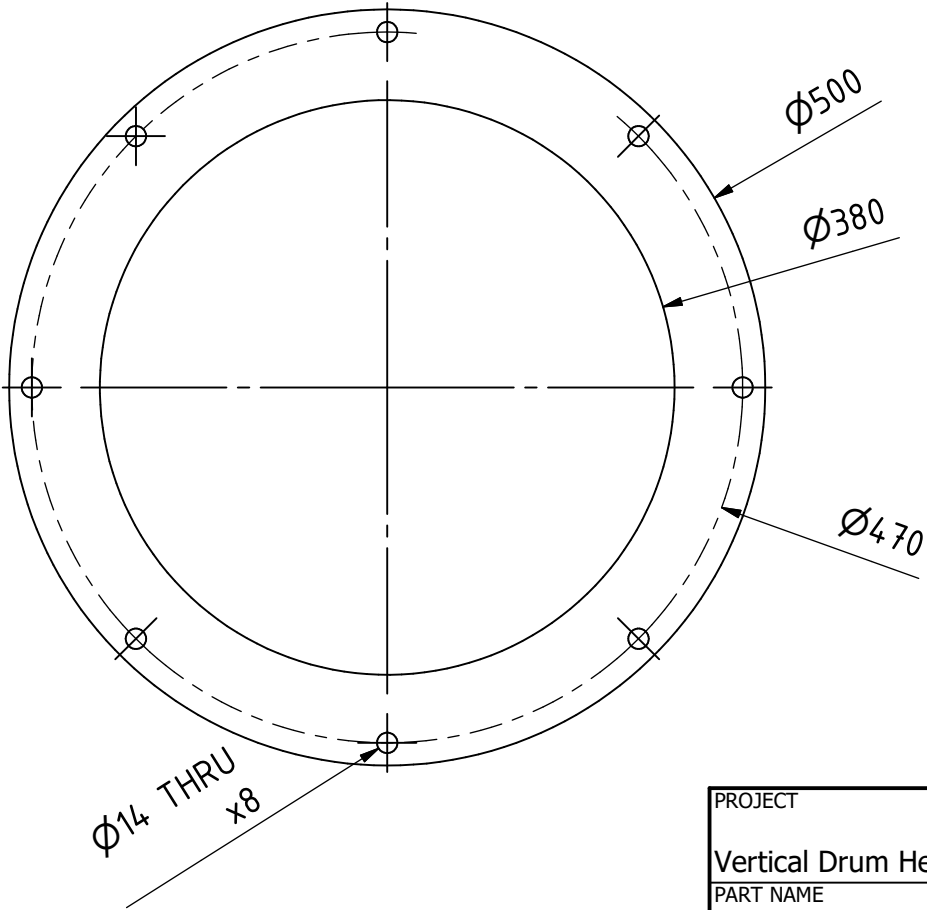
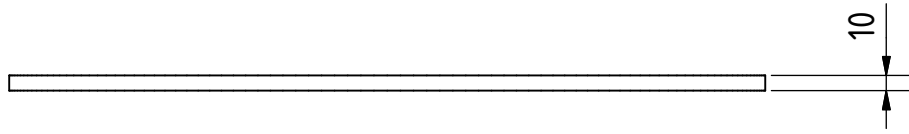
OHO e.V.

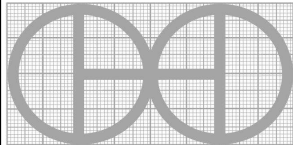
1 : 15

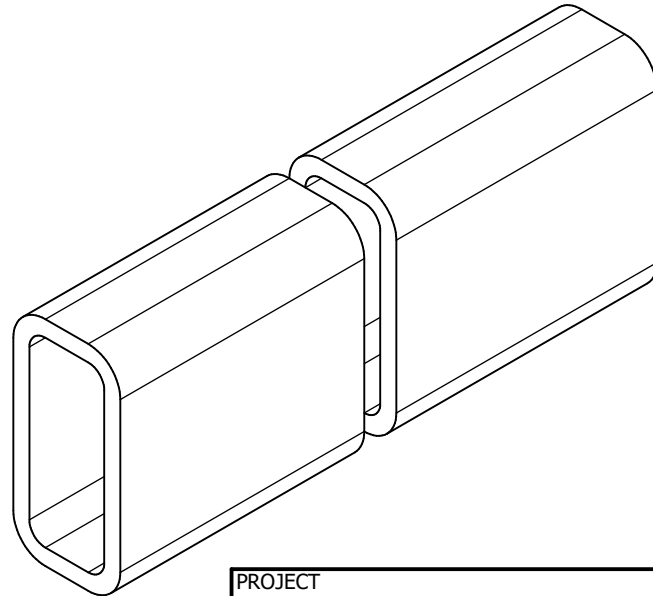
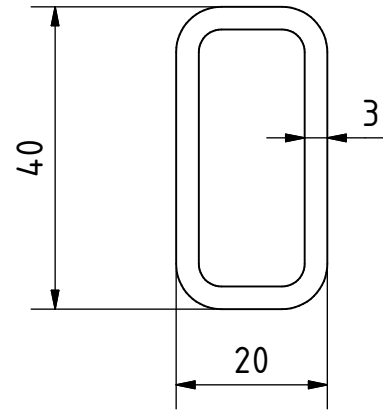
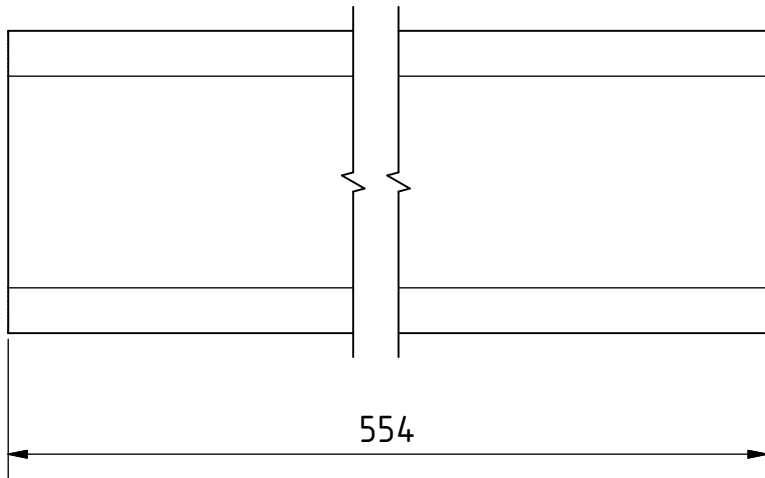


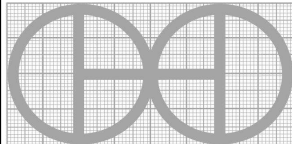
PROJECT	CREATED BY	APPROVED BY	DATE	VERSION	
Vertical Drum Hemp Harvester	A. Morillo	D. Jaeger	22-05-2024	0.06	
PART NAME	SPECIFICACIONES			CODE	
Inner ring 1	Steel 235J2			1.26.1	
DEVELOPED BY	REDESIGNED BY	FILENAME		QTY	
Hanfasser		1.26.3.ipt		1	
		LICENSE	DOC. TYPE	SCALE	SHEET
		CC-BY-SA 4.0	Part	1 : 5	89 / 215

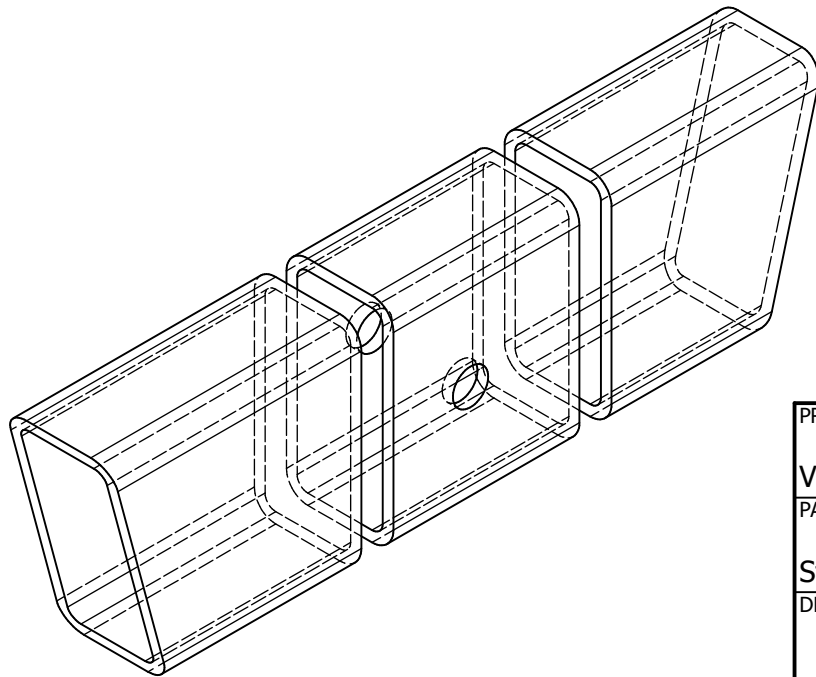
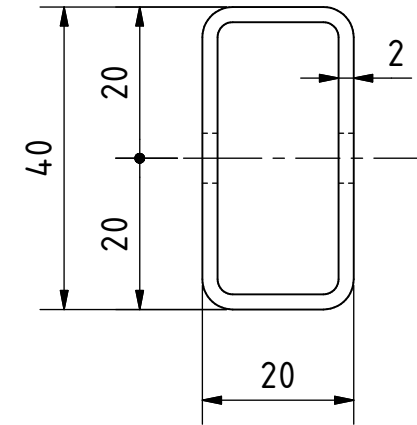
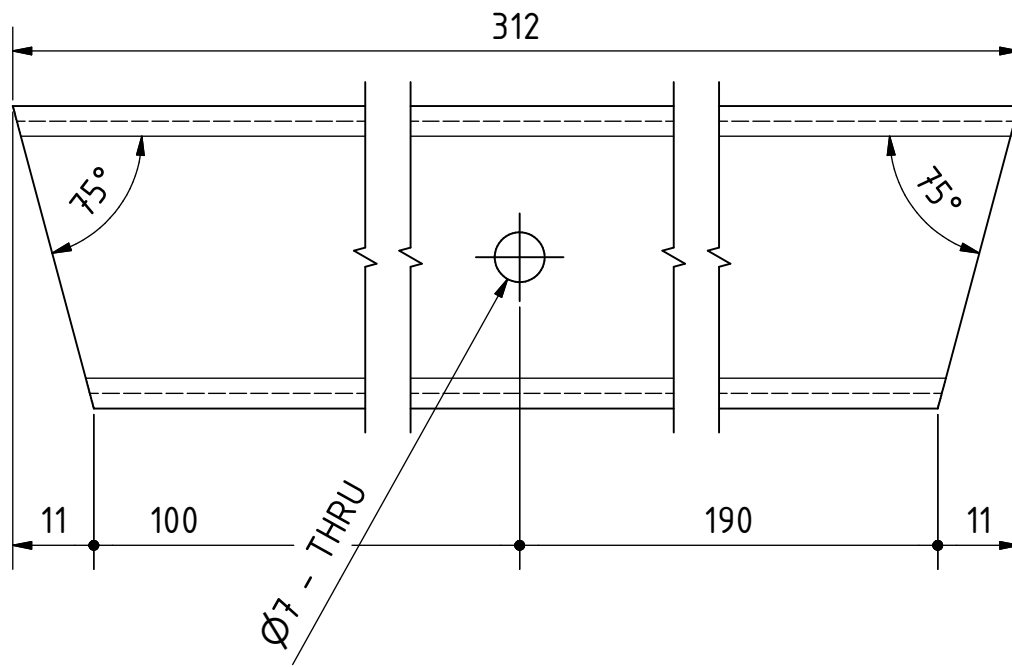
OHO e.V.



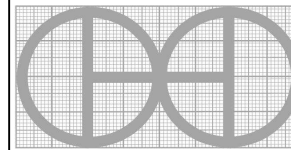
PROJECT	CREATED BY	APPROVED BY	DATE	VERSION	
Vertical Drum Hemp Harvester	A. Morillo	D. Jaeger	22-05-2024	0.06	
PART NAME	SPECIFICACIONES			CODE	
Inner ring 2	Steel 235J2			1.26.2	
DEVELOPED BY	REDESIGNED BY	FILENAME		QTY	
Hanfasser		1.26.9.ipt		2	
		LICENSE	DOC. TYPE	SCALE	SHEET
		CC-BY-SA 4.0	Part	1 : 5	90 /215



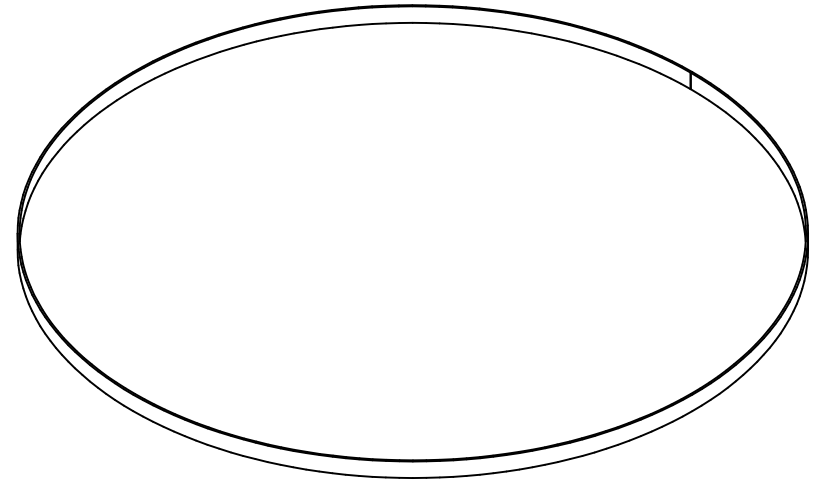
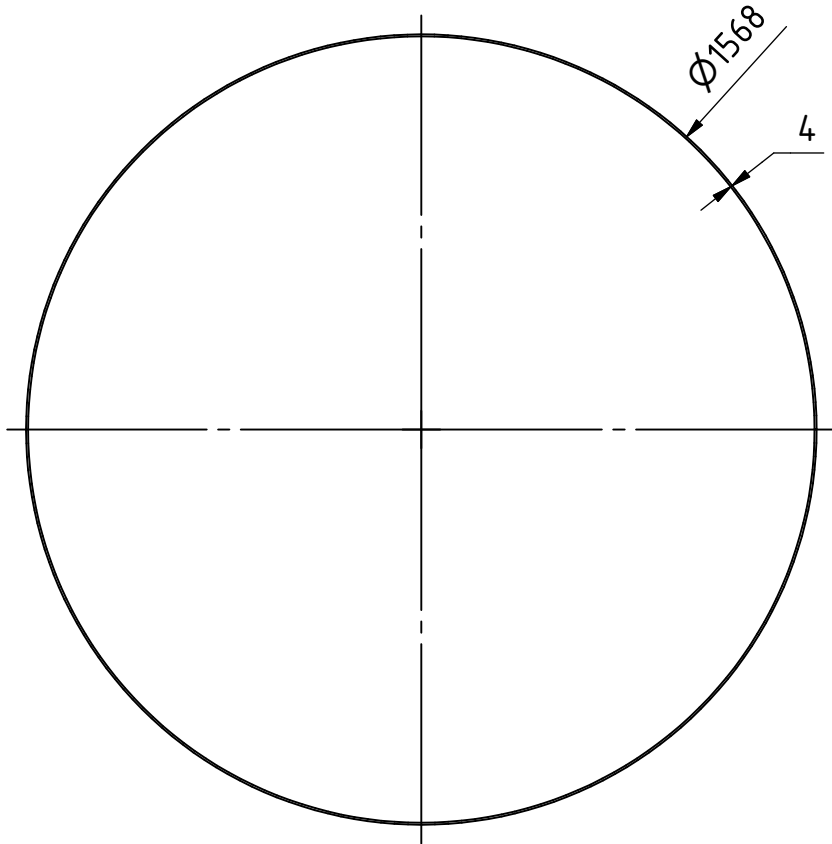
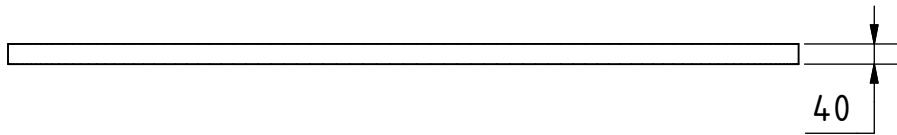
PROJECT		CREATED BY		APPROVED BY		DATE		VERSION	
Vertical Drum Hemp Harvester		A. Morillo		D. Jaeger		22-05-2024		0.06	
PART NAME		SPECIFICACIONES						CODE	
Structure support 1		Rectangle profile 40*20*3 mm						1.26.3	
DEVELOPED BY		REDESIGNED BY		FILENAME				QTY	
Hanfasser				OHO e.V. 1.26.4				12	
				LICENSE		DOC. TYPE		SCALE	
				CC-BY-SA 4.0		Part		1 : 1	
								91 /215	

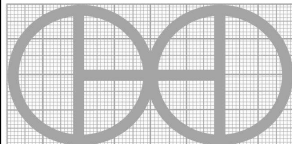


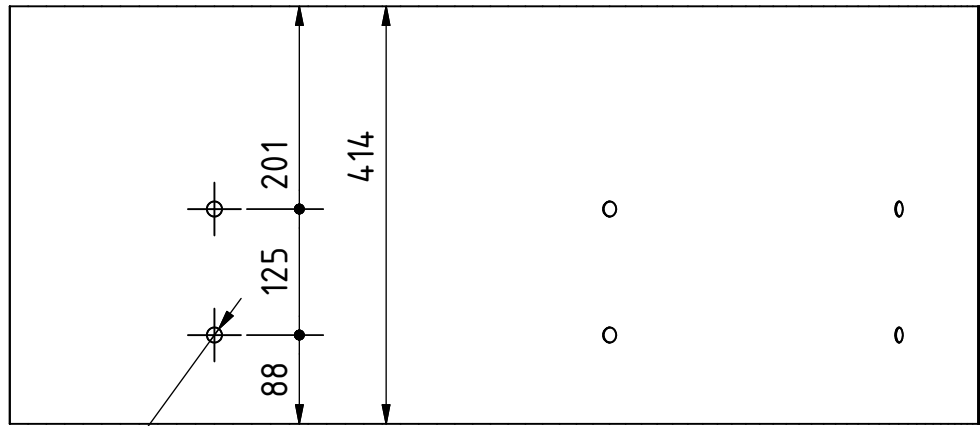
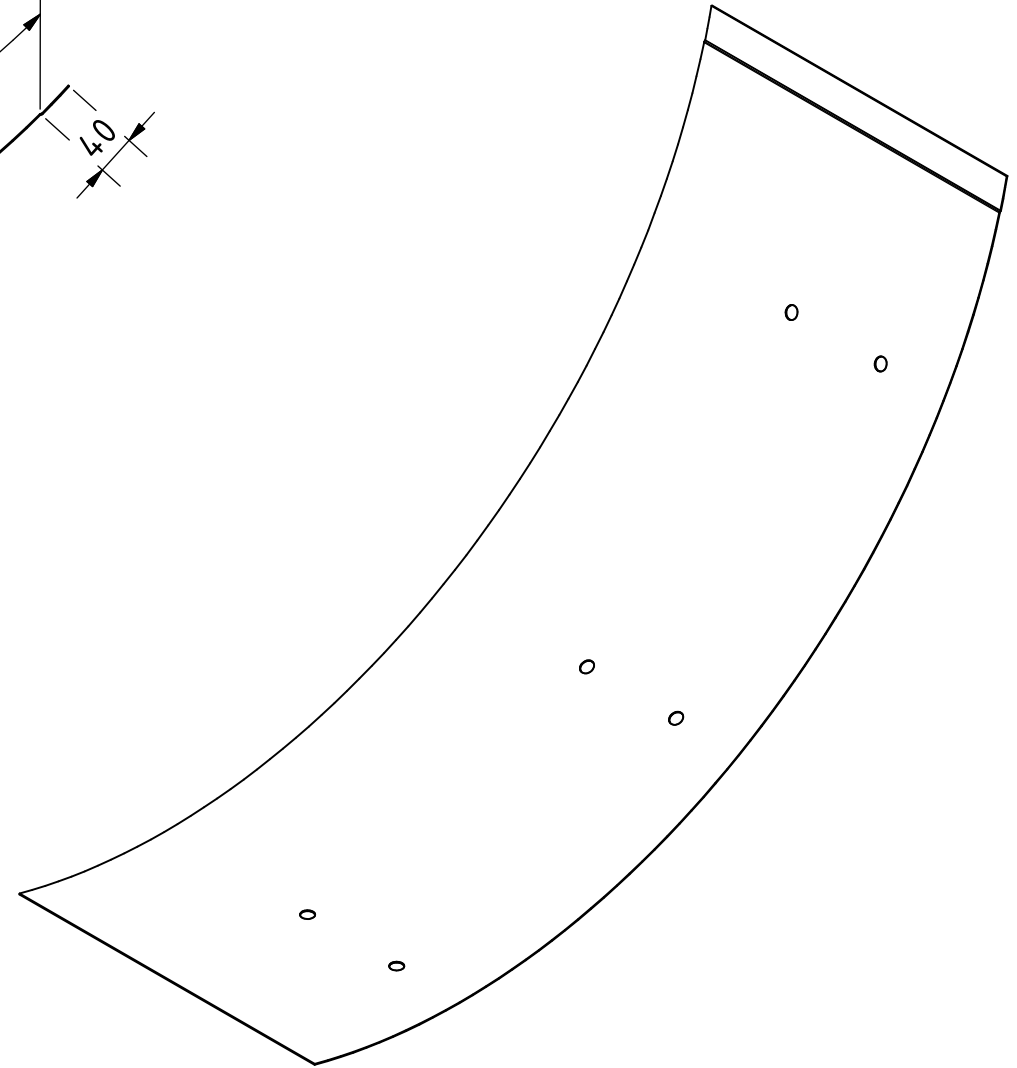
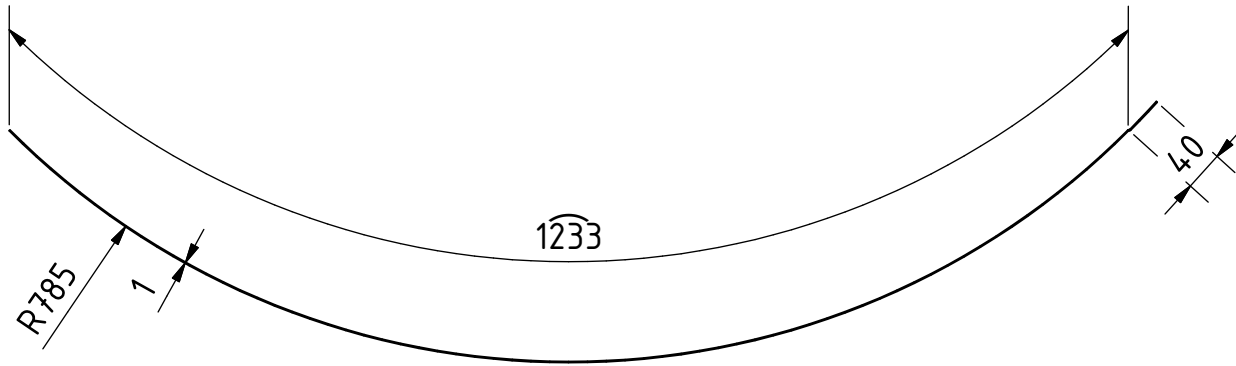
PROJECT	CREATED BY	APPROVED BY	DATE	VERSION
Vertical Drum Hemp Harvester	A. Morillo	D. Jaeger	22-05-2024	0.06
PART NAME	SPECIFICACIONES			CODE
Structure support 2	Rectangle profile 40*20*3 mm			1.26.4
DEVELOPED BY	REDESIGNED BY	FILENAME		QTY
		1.26.6		12
		LICENSE	DOC. TYPE	SCALE
Handfasser		CC-BY-SA 4.0	Part	1 : 1
				92 /215



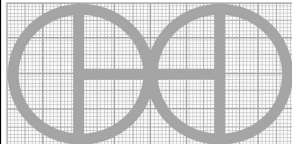
OHO e.V.

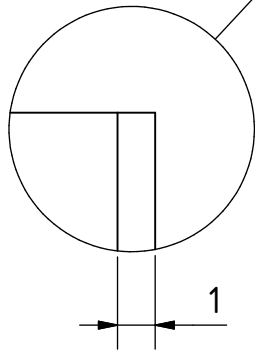
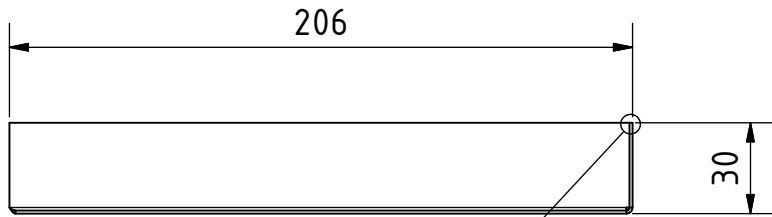
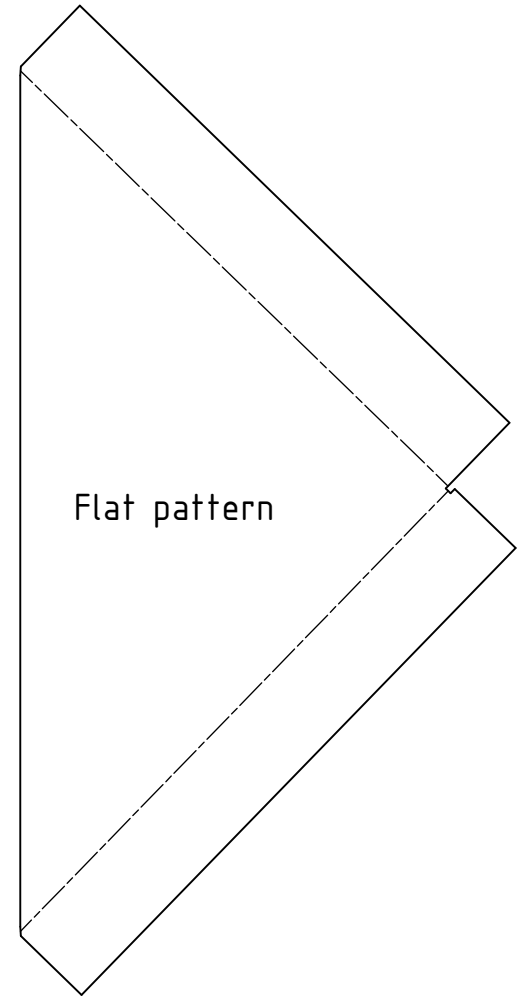
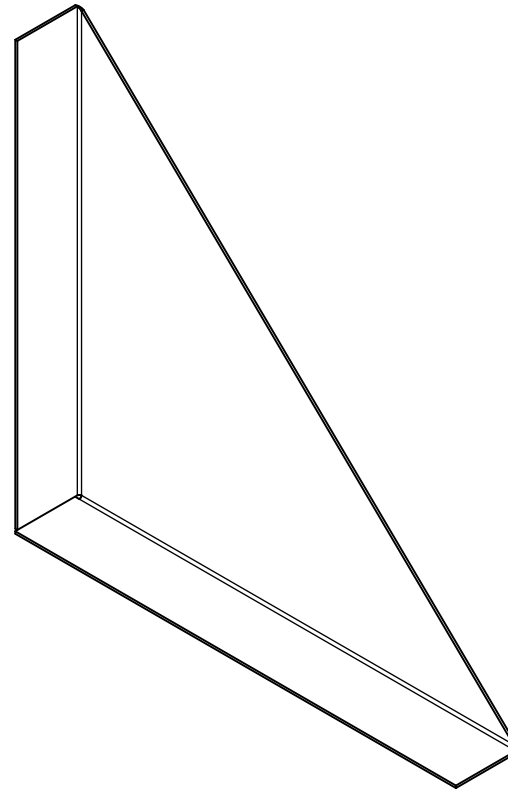
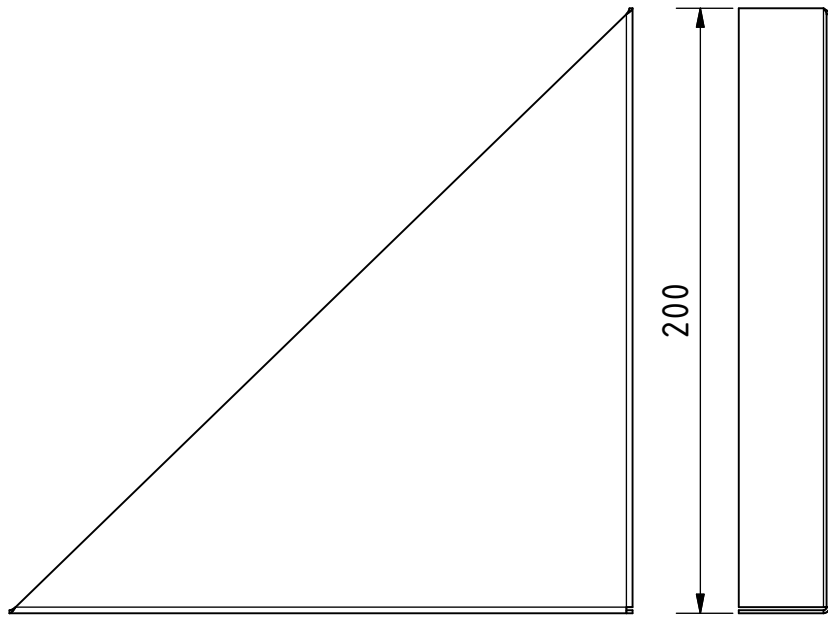


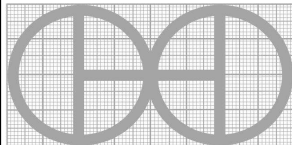
PROJECT	CREATED BY	APPROVED BY	DATE	VERSION	
Vertical Drum Hemp Harvester	A. Morillo	D. Jaeger	22-05-2024	0.06	
PART NAME	SPECIFICACIONES			CODE	
Outer ring	Flat bar 40*4 mm			1.26.5	
DEVELOPED BY	REDESIGNED BY	FILENAME		QTY	
Hanfasser		OHO e.V. 1.26.5		1	
		LICENSE	DOC. TYPE	SCALE	SHEET
		CC-BY-SA 4.0	Part	1 : 15	93 /215



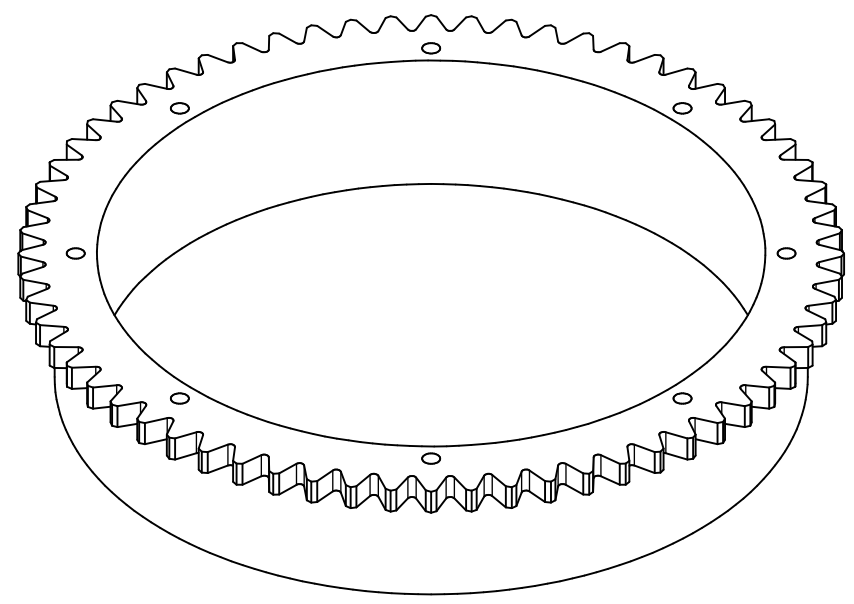
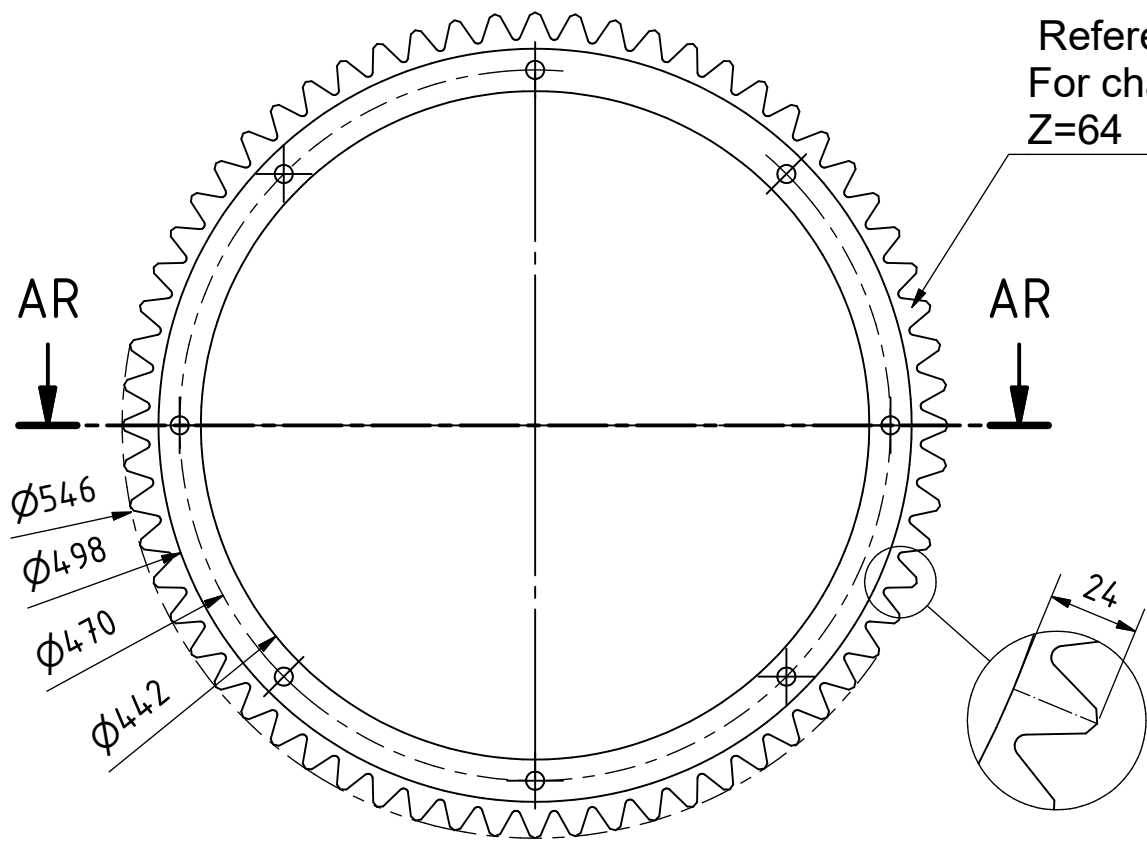
Ø15 THRU
x6

PROJECT	CREATED BY	APPROVED BY	DATE	VERSION
Vertical Drum Hemp Harvester	A. Morillo	D. Jaeger	22-05-2024	0.06
PART NAME	SPECIFICACIONES			CODE
Metallic cover 1	Sheet 1mm			1.26.6
DEVELOPED BY	REDESIGNED BY	FILENAME		QTY
		2.20.5.ipt		4
Hanfasser	OHO e.V.		LICENSE	DOC. TYPE
			CC-BY-SA 4.0	Part
			SCALE	SHEET
			2 : 15	94 /215

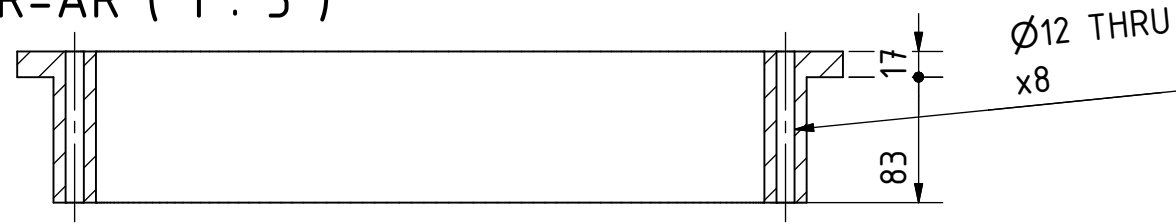


PROJECT	CREATED BY	APPROVED BY	DATE	VERSION	
Vertical Drum Hemp Harvester	A. Morillo	D. Jaeger	22-05-2024	0.06	
PART NAME	SPECIFICACIONES			CODE	
Thin sheet reinforcement	Sheet 1mm			1.26.7	
DEVELOPED BY	REDESIGNED BY	FILENAME		QTY	
Hanfasser		1.26.11.ipt		4	
		LICENSE	DOC. TYPE	SCALE	SHEET
		CC-BY-SA 4.0	Part	2 : 5	95 /215

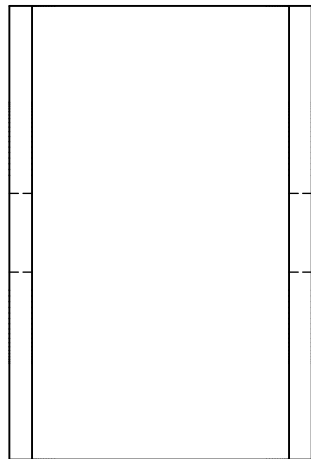
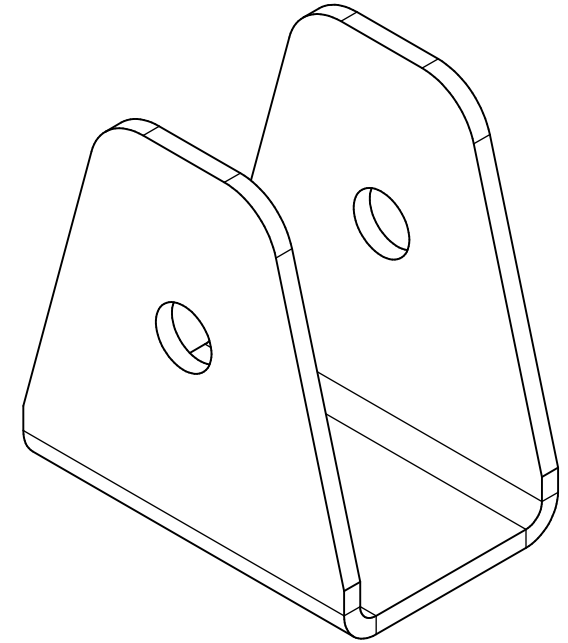
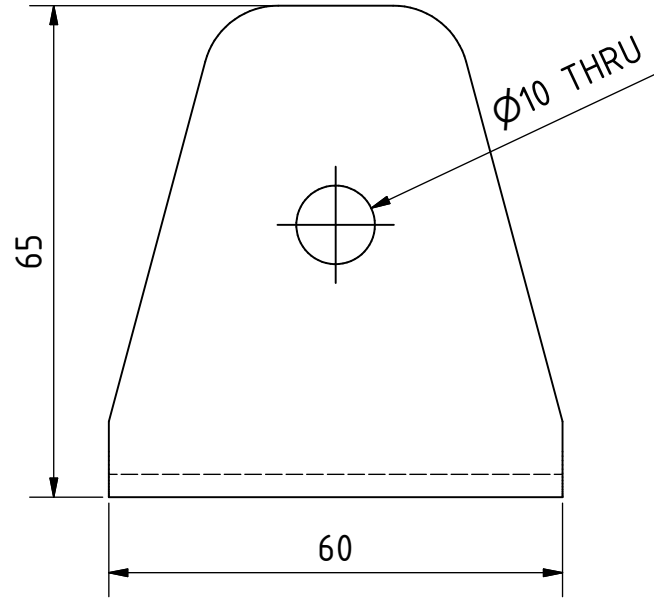
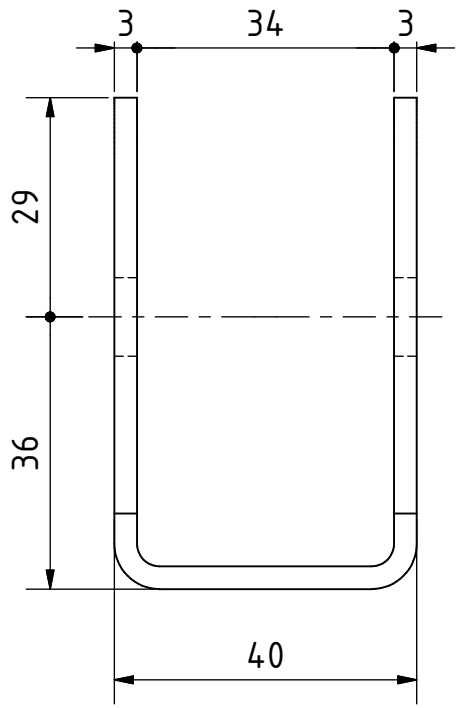
OHO e.V.

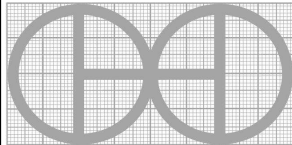


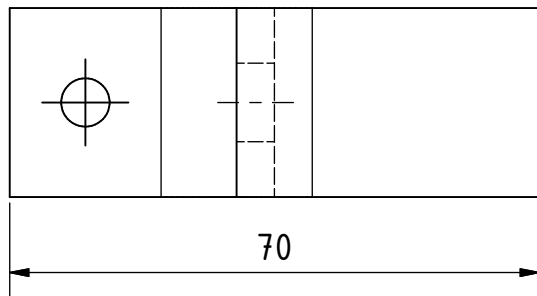
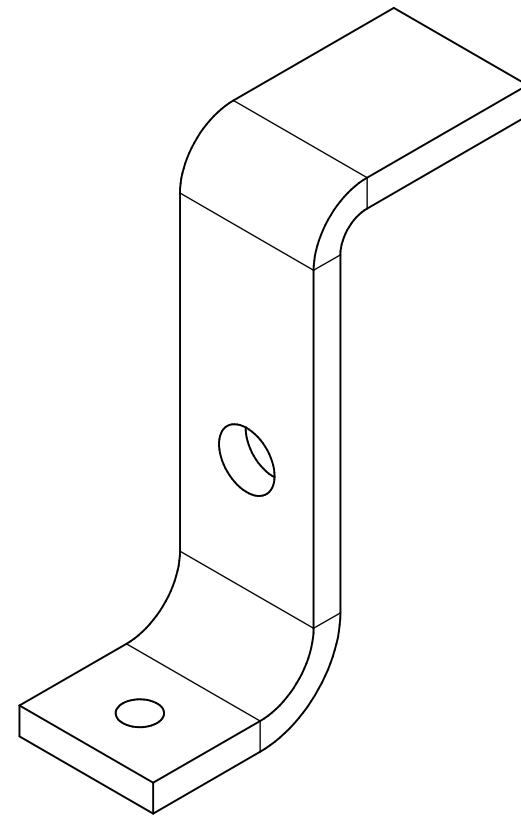
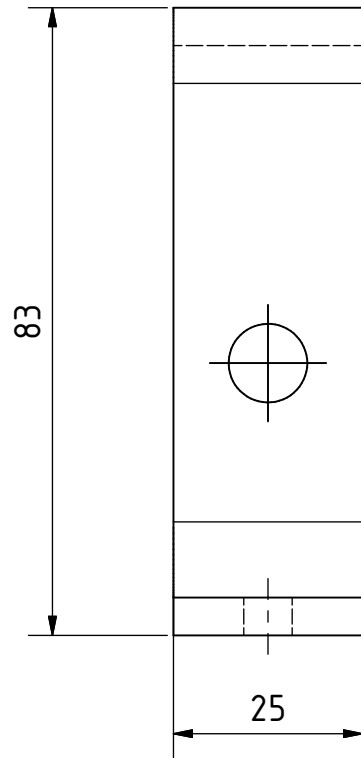
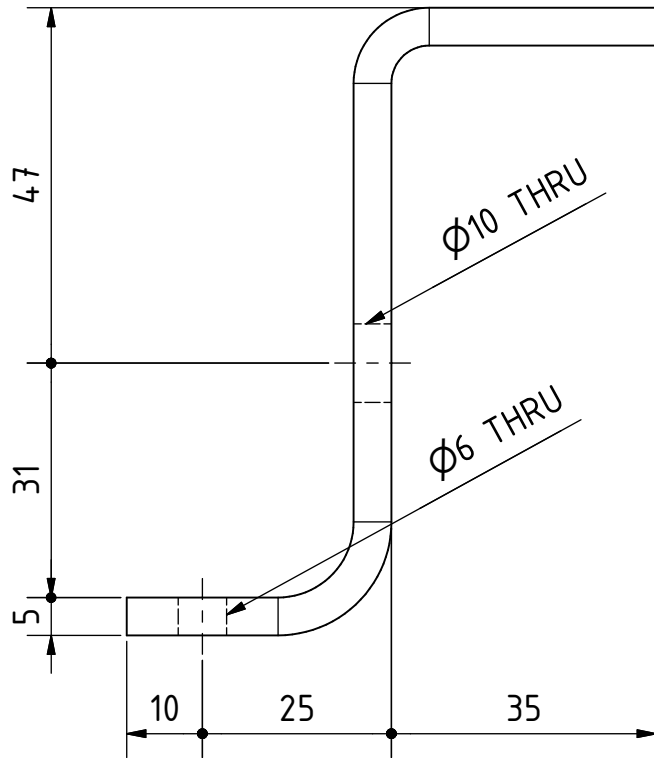
AR-AR (1 : 5)

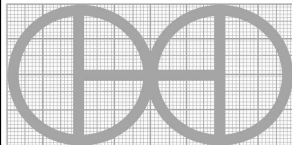


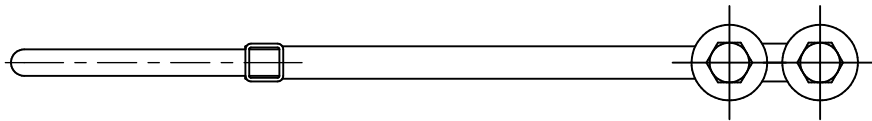
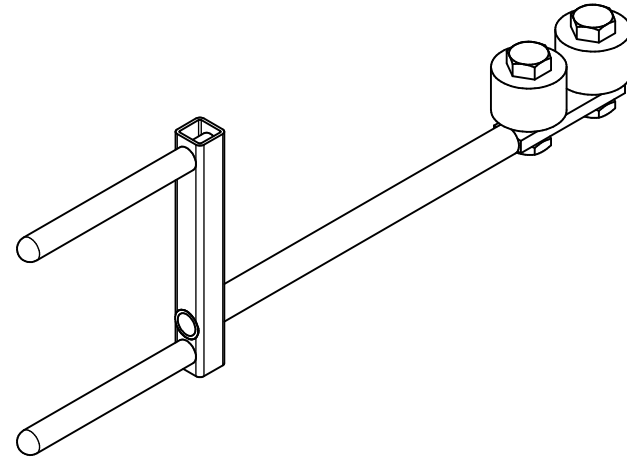
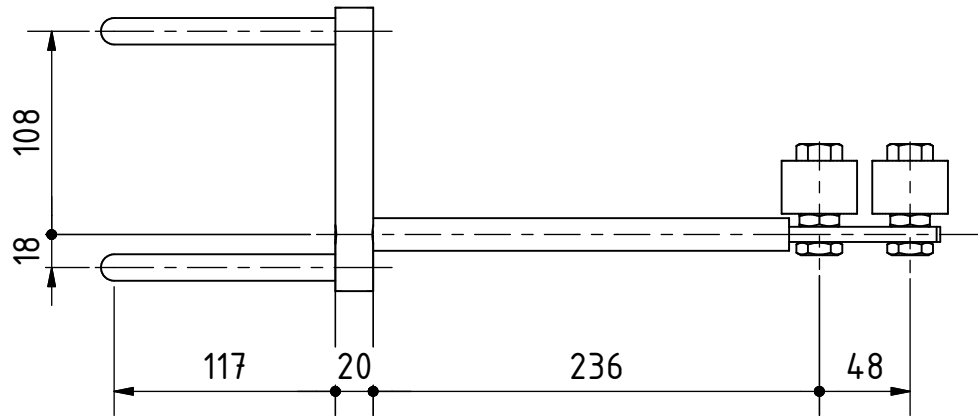
PROJECT	CREATED BY	APPROVED BY	DATE	VERSION
Vertical Drum Hemp Harvester	A. Morillo	D. Jaeger	22-05-2024	0.06
PART NAME	SPECIFICACIONES			CODE
Sprocket wheel	For chain 16B-1-70, Z=64, Steel 235J2			1.26.8
DEVELOPED BY	REDESIGNED BY	FILENAME		QTY
		1.26.1.ipt		1
		LICENSE	DOC. TYPE	SCALE
Hanfasser		CC-BY-SA 4.0	Part	1 : 5
				96 /215

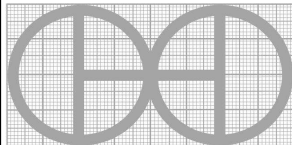


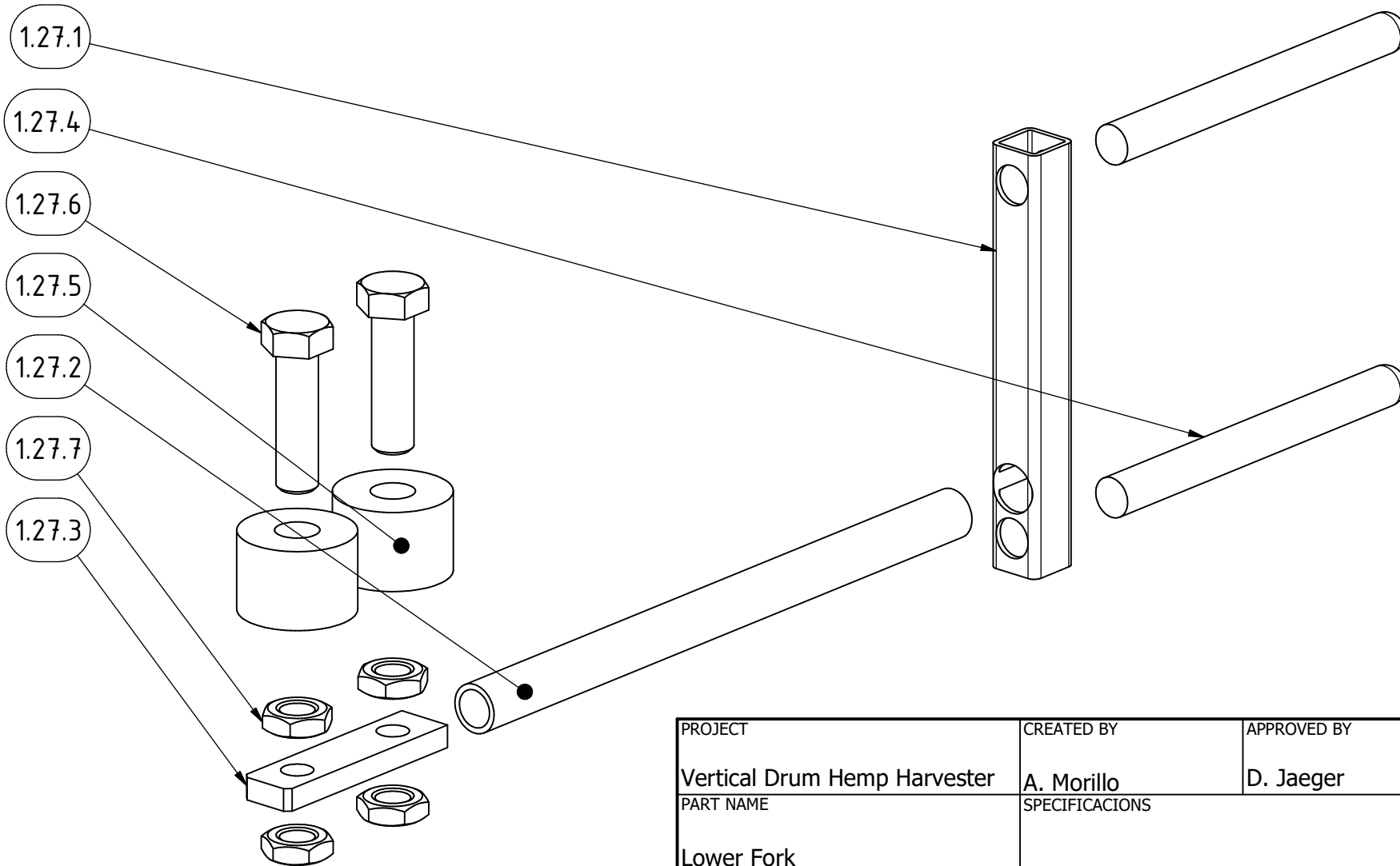
PROJECT	CREATED BY	APPROVED BY	DATE	VERSION	
Vertical Drum Hemp Harvester	A. Morillo	D. Jaeger	22-05-2024	0.06	
PART NAME	SPECIFICACIONES			CODE	
Pulley support	Steel 235J2			1.26.10	
DEVELOPED BY	REDESIGNED BY	FILENAME		QTY	
Hanfasser		1.26.7.ipt		12	
		LICENSE	DOC. TYPE	SCALE	SHEET
		CC-BY-SA 4.0	Part	1 : 1	97 /215

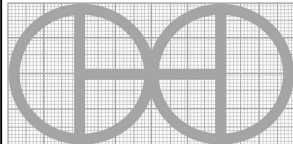


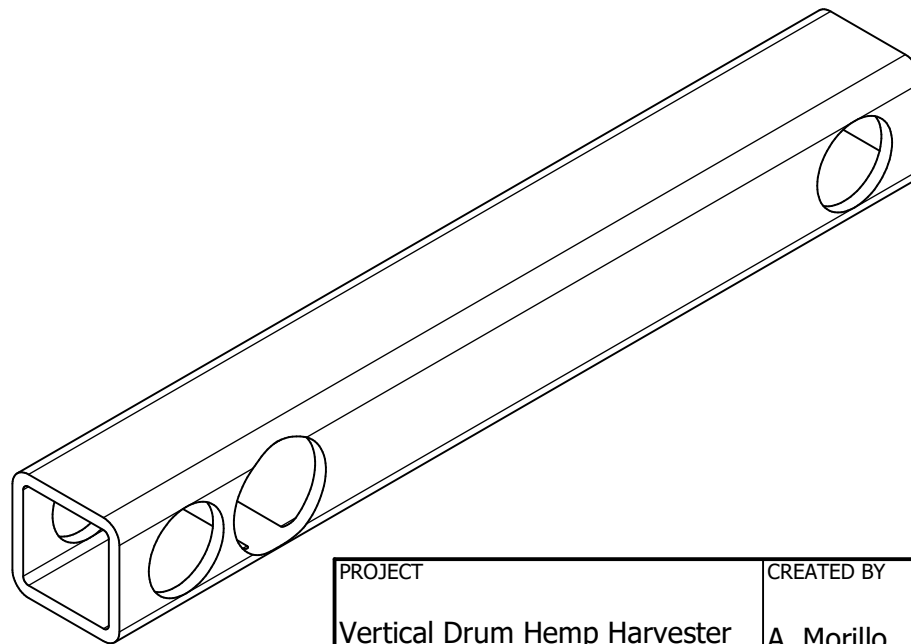
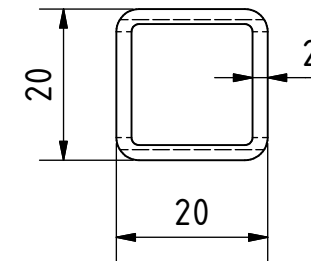
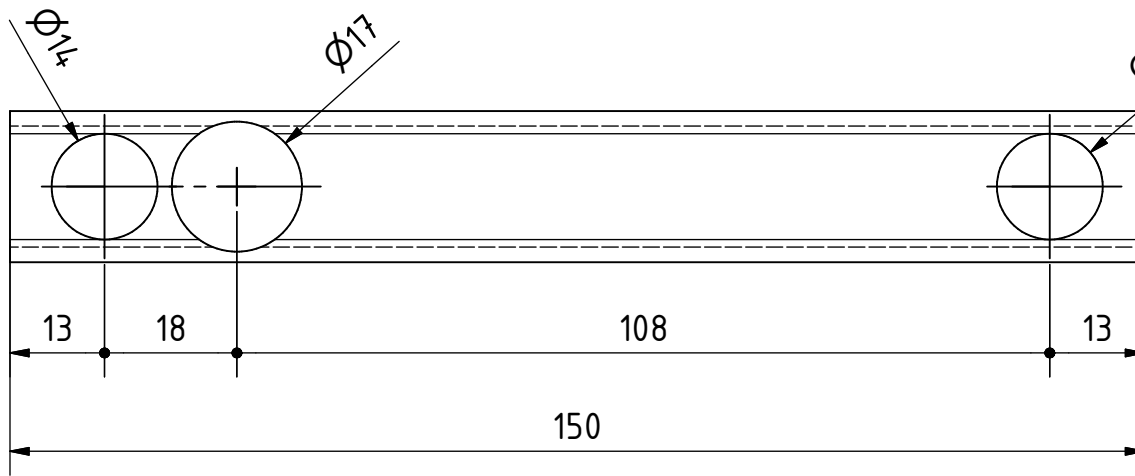
PROJECT	CREATED BY	APPROVED BY	DATE	VERSION
Vertical Drum Hemp Harvester	A. Morillo	D. Jaeger	22-05-2024	0.06
PART NAME	SPECIFICACIONES			CODE
Pulley hook	Flat bar 25*5 mm			1.26.12
DEVELOPED BY	REDESIGNED BY	FILENAME		QTY
		1.26.8.ipt		12
		LICENSE	DOC. TYPE	SCALE
Hanfasser		CC-BY-SA 4.0	Part	1 : 1
				98 /215

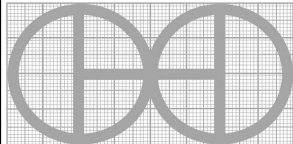


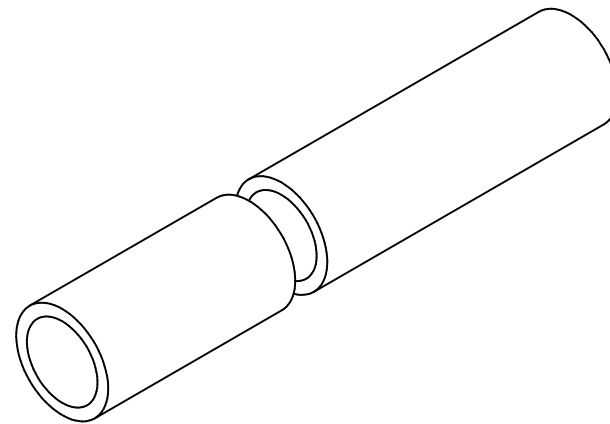
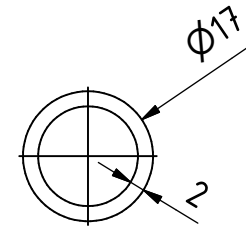
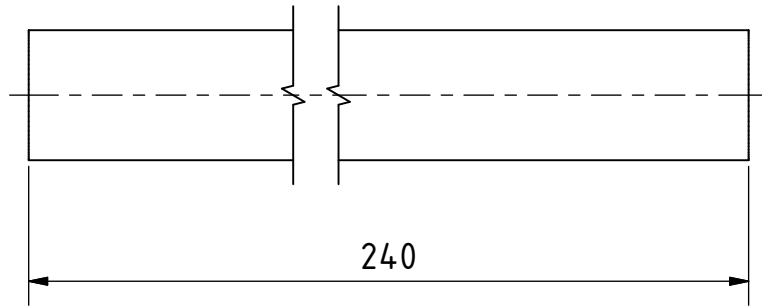
PROJECT	CREATED BY	APPROVED BY	DATE	VERSION
Vertical Drum Hemp Harvester	A. Morillo	D. Jaeger	22-05-2024	0.06
PART NAME	SPECIFICACIONES			CODE
Lower Fork				1.27.0
DEVELOPED BY	REDESIGNED BY	FILENAME	QTY	
		1.27.iam	12	
Hanfasser		LICENSE	DOC. TYPE	SHEET
		CC-BY-SA 4.0	Assembly	1 : 4 99 /215

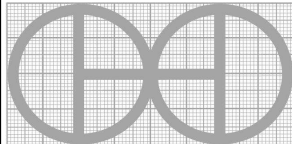


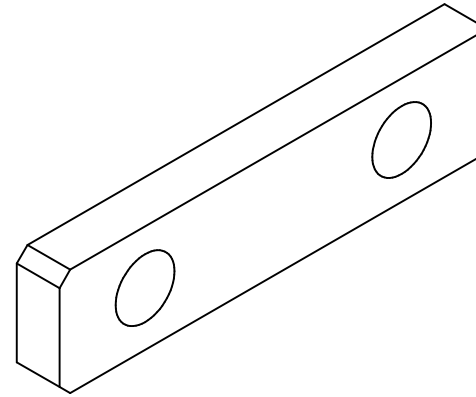
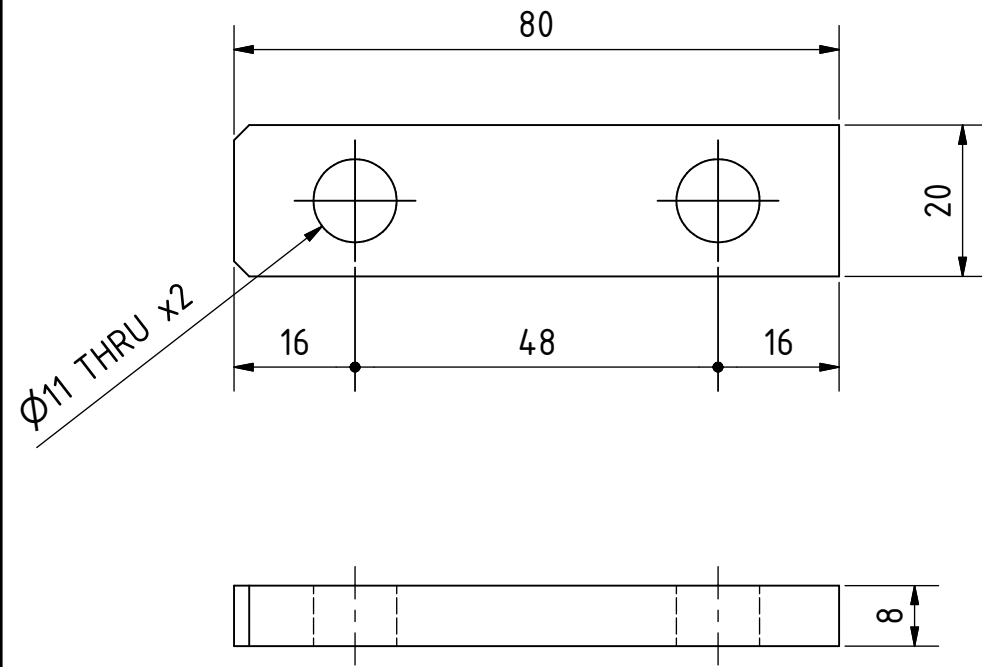
PROJECT	CREATED BY	APPROVED BY	DATE	VERSION
Vertical Drum Hemp Harvester	A. Morillo	D. Jaeger	22-05-2024	0.06
PART NAME	SPECIFICACIONES			CODE
Lower Fork				1.27.0
DEVELOPED BY	REDESIGNED BY	FILENAME	QTY	
		1.27.ipn	12	
		LICENSE	DOC. TYPE	SCALE
Hanfasser		CC-BY-SA 4.0	Assembly	1 : 2
				100 /215

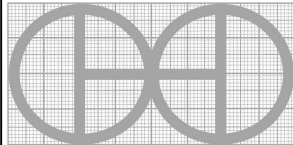


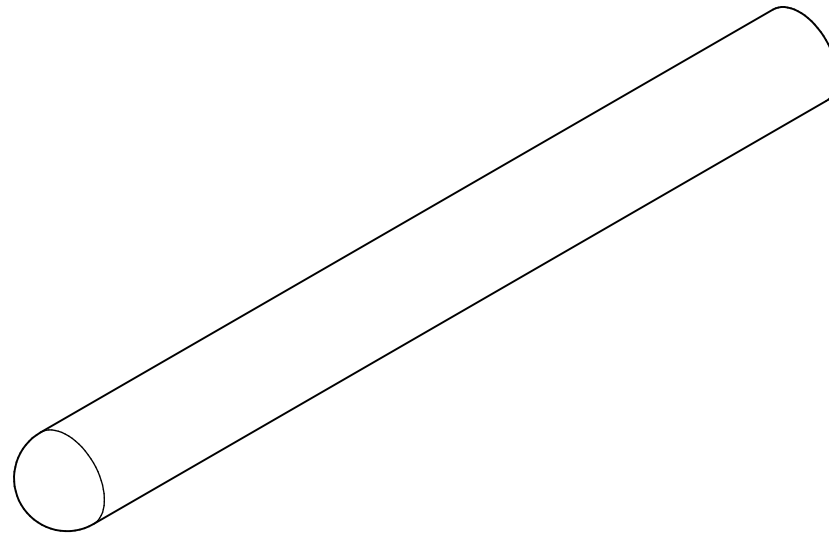
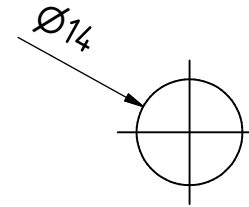
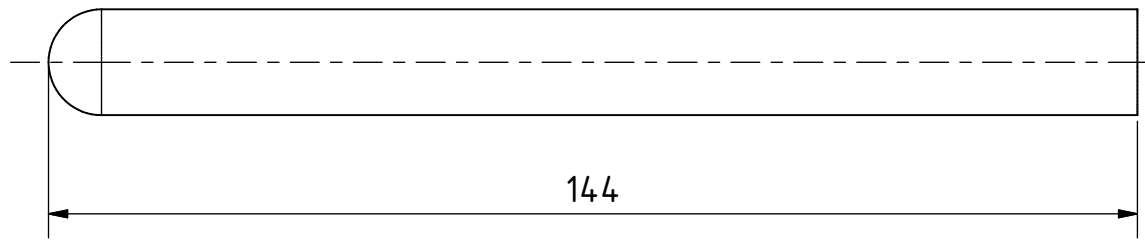
PROJECT	CREATED BY	APPROVED BY	DATE	VERSION
Vertical Drum Hemp Harvester	A. Morillo	D. Jaeger	22-05-2024	0.06
PART NAME	SPECIFICACIONES			CODE
Part 1.27.1	Square profile 20*2 mm			1.27.1
DEVELOPED BY	REDESIGNED BY	FILENAME		QTY
		1.27.2		1
Hanfasser		LICENSE	DOC. TYPE	SHEET
		CC-BY-SA 4.0	Part	101 /215
			SCALE	
			1 : 1	

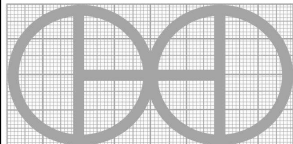


PROJECT		CREATED BY		APPROVED BY		DATE		VERSION	
Vertical Drum Hemp Harvester		A. Morillo		D. Jaeger		22-05-2024		0.06	
PART NAME		SPECIFICACIONES						CODE	
Part 1.27.2		Round tube D17*2 mm						1.27.2	
DEVELOPED BY		REDESIGNED BY		FILENAME				QTY	
Hanfasser				1.27.1				1	
				OHO e.V.		LICENSE		DOC. TYPE	
				CC-BY-SA 4.0		Part		SCALE	
						1 : 1		SHEET	
								102 /215	

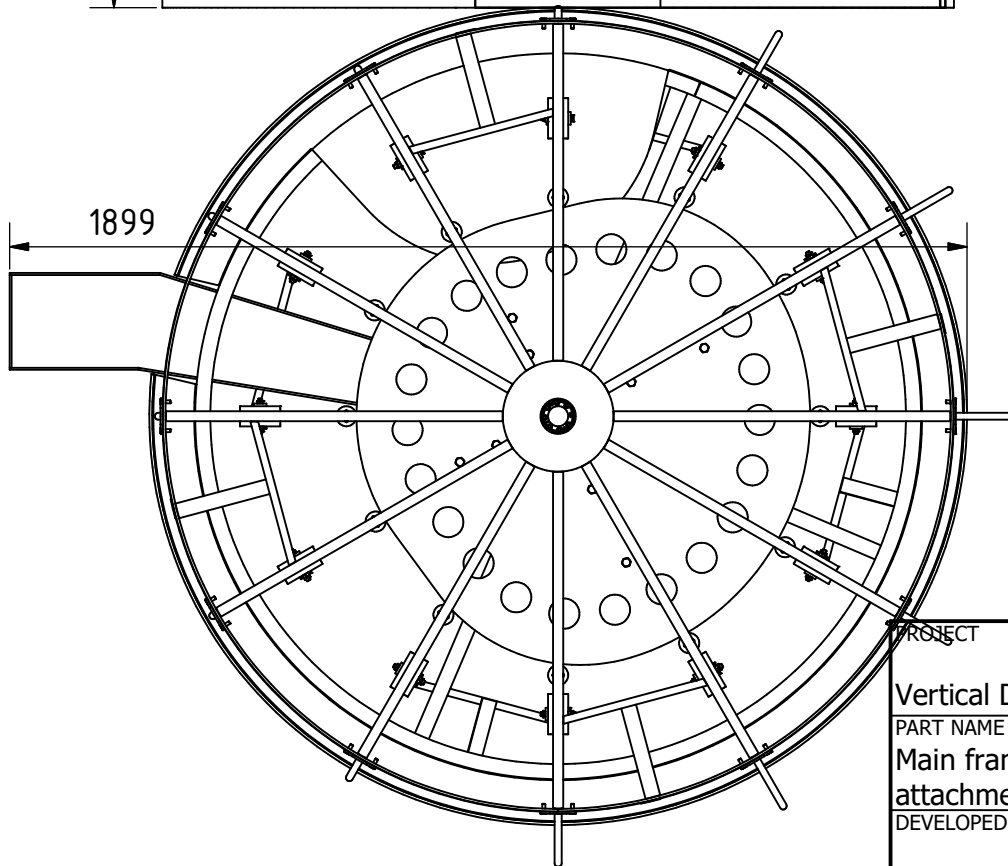
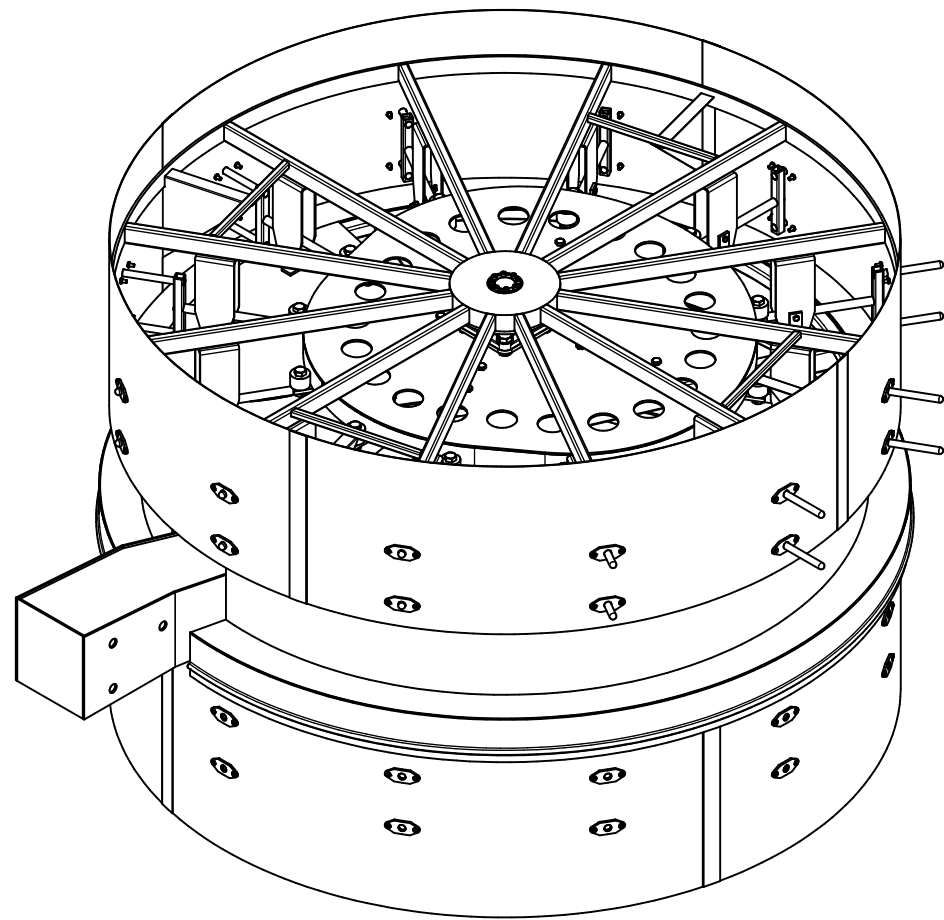
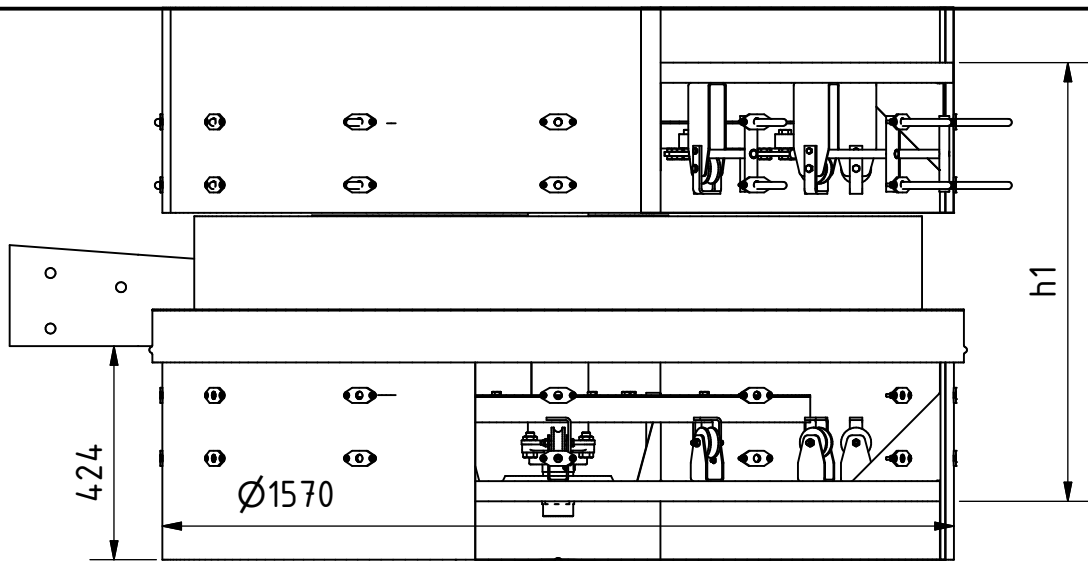


PROJECT	CREATED BY	APPROVED BY	DATE	VERSION	
Vertical Drum Hemp Harvester	A. Morillo	D. Jaeger	22-05-2024	0.06	
PART NAME	SPECIFICACIONES			CODE	
Part 1.27.3	Steel 235J2			1.27.3	
DEVELOPED BY	REDESIGNED BY	FILENAME		QTY	
Hanfasser		1.27.4		1	
		LICENSE	DOC. TYPE	SCALE	SHEET
		CC-BY-SA 4.0	Part	1 : 1	103 /215



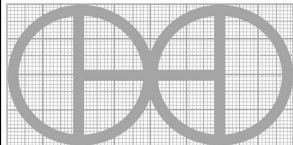
PROJECT	CREATED BY	APPROVED BY	DATE	VERSION	
Vertical Drum Hemp Harvester	A. Morillo	D. Jaeger	22-05-2024	0.06	
PART NAME	SPECIFICACIONES			CODE	
Part 1.27.4	Round bar D 14mm			1.27.4	
DEVELOPED BY	REDESIGNED BY	FILENAME		QTY	
Hanfasser		1.27.3		2	
		LICENSE	DOC. TYPE	SCALE	SHEET
		CC-BY-SA 4.0	Part	1 : 1	104 /215

OHO e.V.



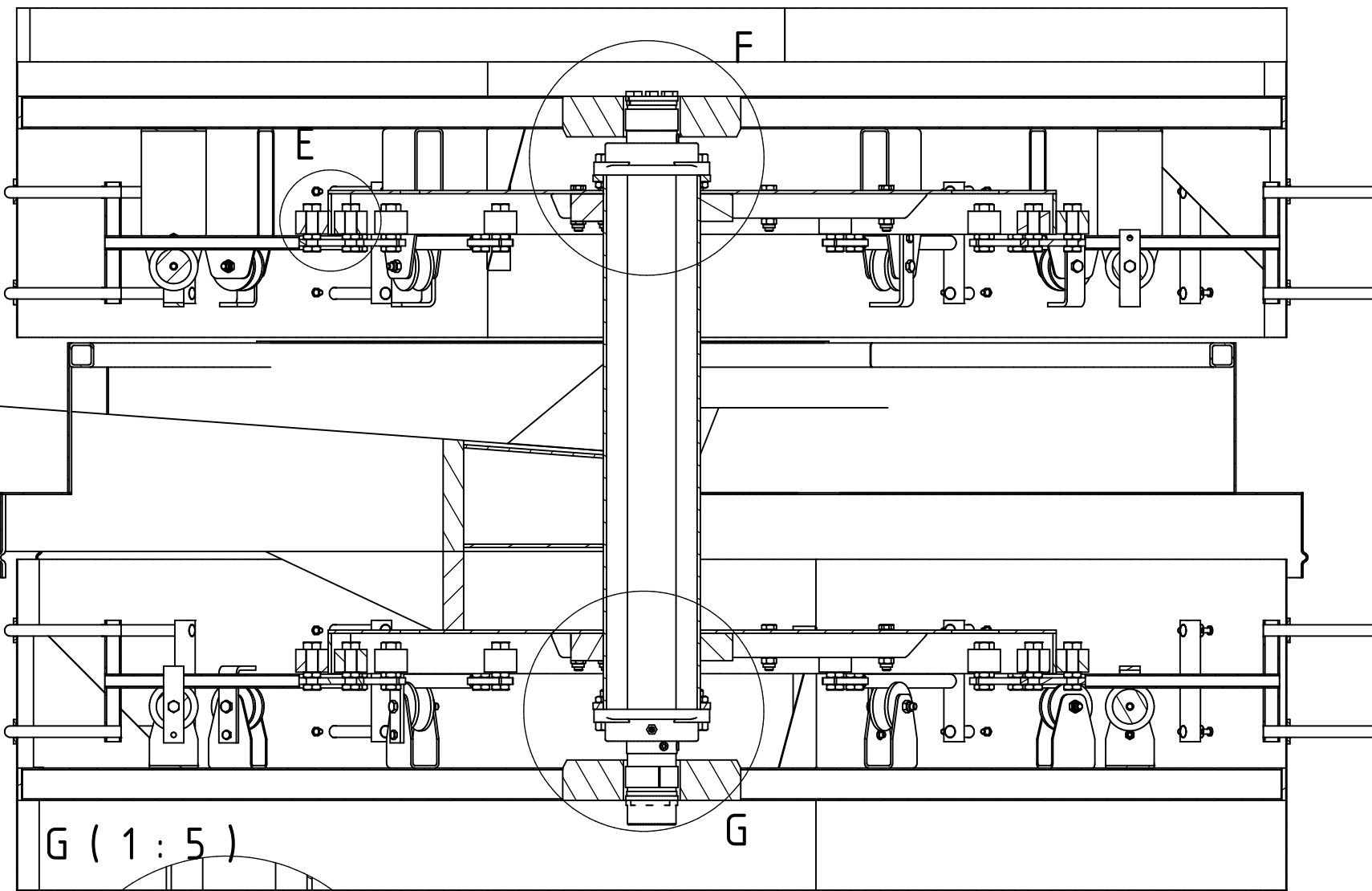
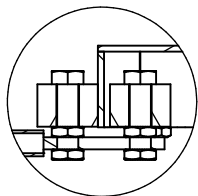
Size table	
Pos	h1
2_A (right)	870 mm
2_B (left)	880 mm

PROJECT	CREATED BY	APPROVED BY	DATE	VERSION
Vertical Drum Hemp Harvester	A. Morillo	D. Jaeger	22-05-2024	0.06
PART NAME	SPECIFICACIONES			CODE
Main frame top cpl with attachments				2.0.0
DEVELOPED BY	REDESIGNED BY	FILENAME	QTY	
		2.iam	2	
Hanfasser		LICENSE	DOC. TYPE	SCALE
		CC-BY-SA 4.0	Assembly	1 : 15
				SHEET
				105 /215

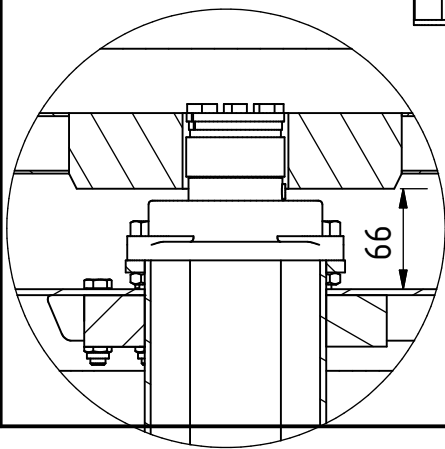


OHO e.V.

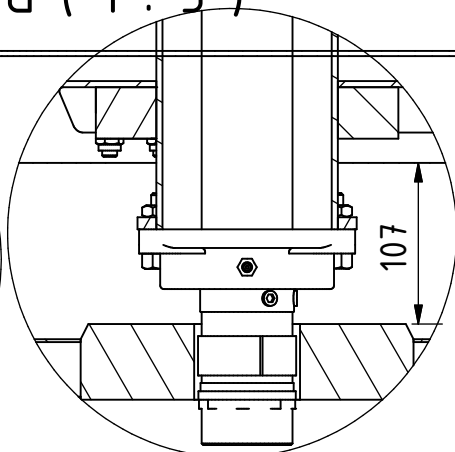
E (1 : 5)



F (1 : 5)

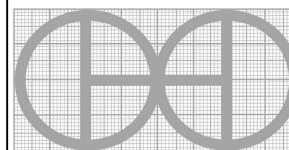


G (1 : 5)

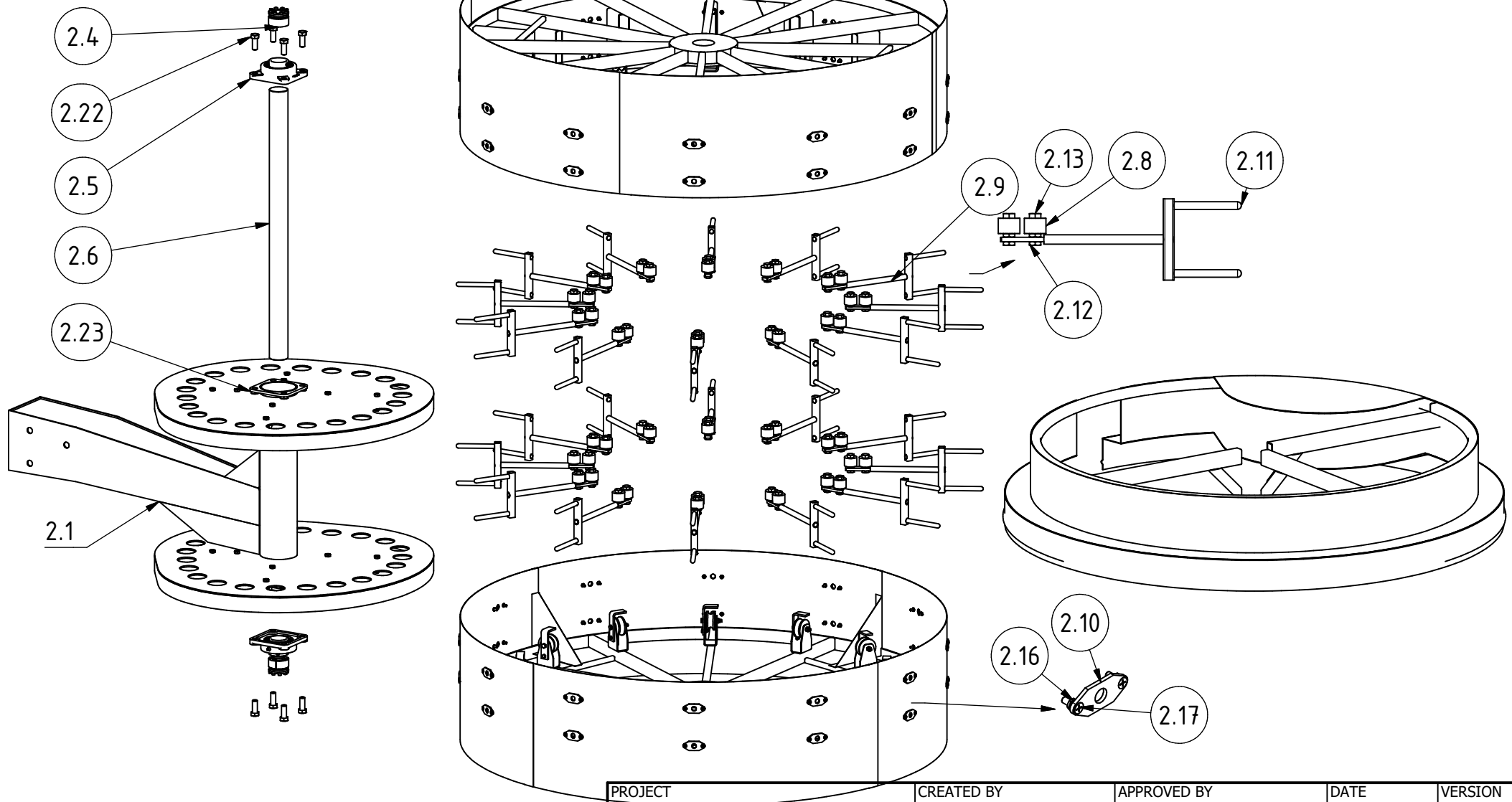


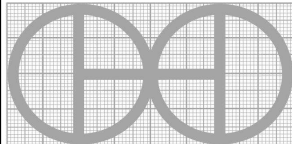
PROJECT	CREATED BY	APPROVED BY	DATE	VERSION
Vertical Drum Hemp Harvester	A. Morillo	D. Jaeger	22-05-2024	0.06
PART NAME	SPECIFICACIONES			CODE
Main frame top cpl with attachments				2.0.0
DEVELOPED BY	REDESIGNED BY	FILENAME	QTY	
		2.iam	2	
		LICENSE	DOC. TYPE	SCALE SHEET
		CC-BY-SA 4.0	Assembly	2 : 15 106 /215

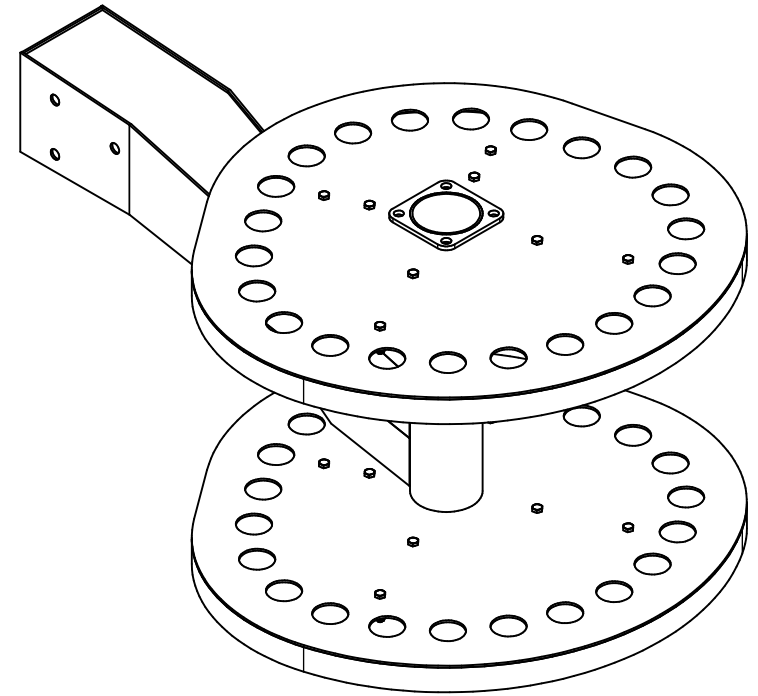
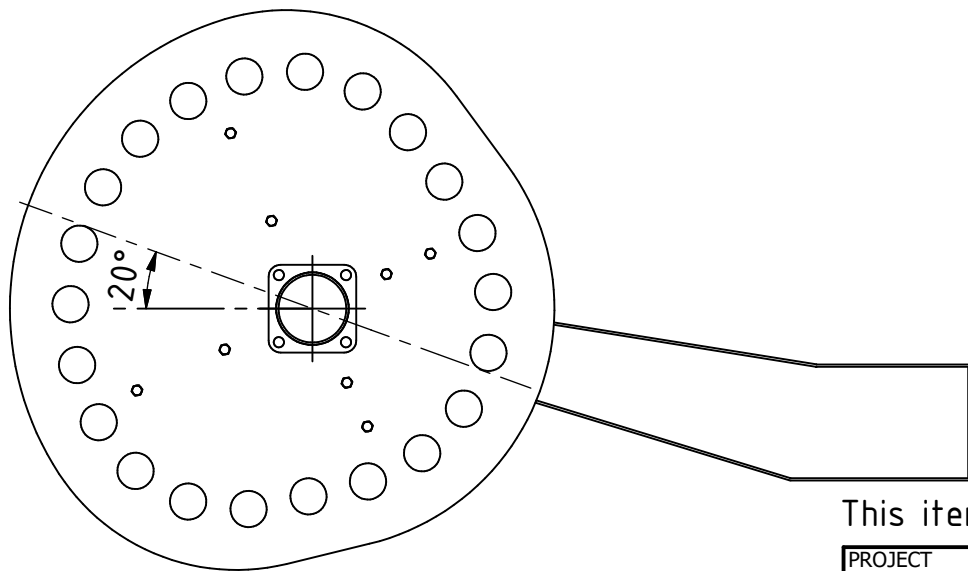
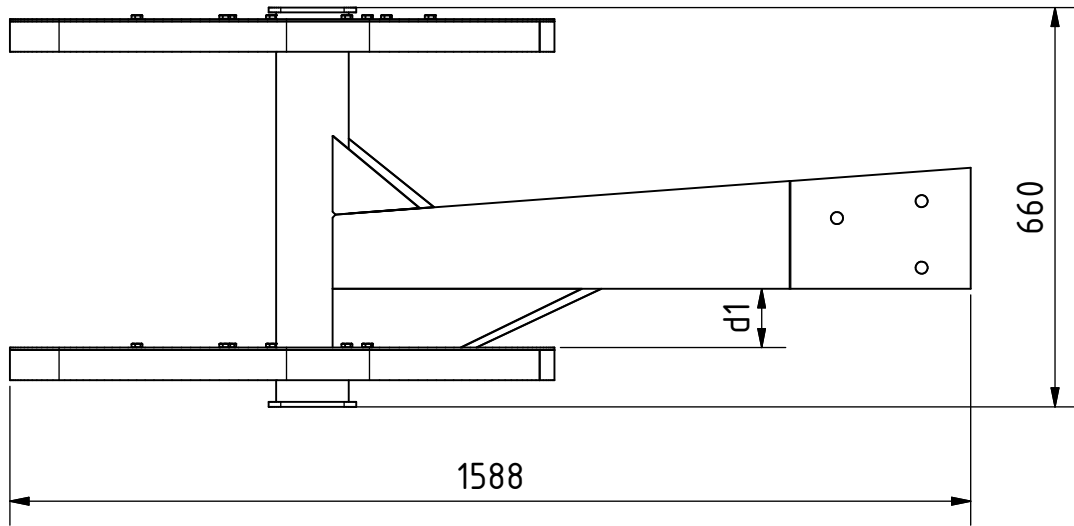
Hanfasser



OHO e.v.

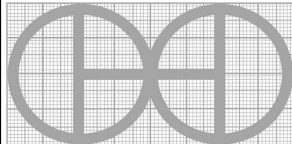


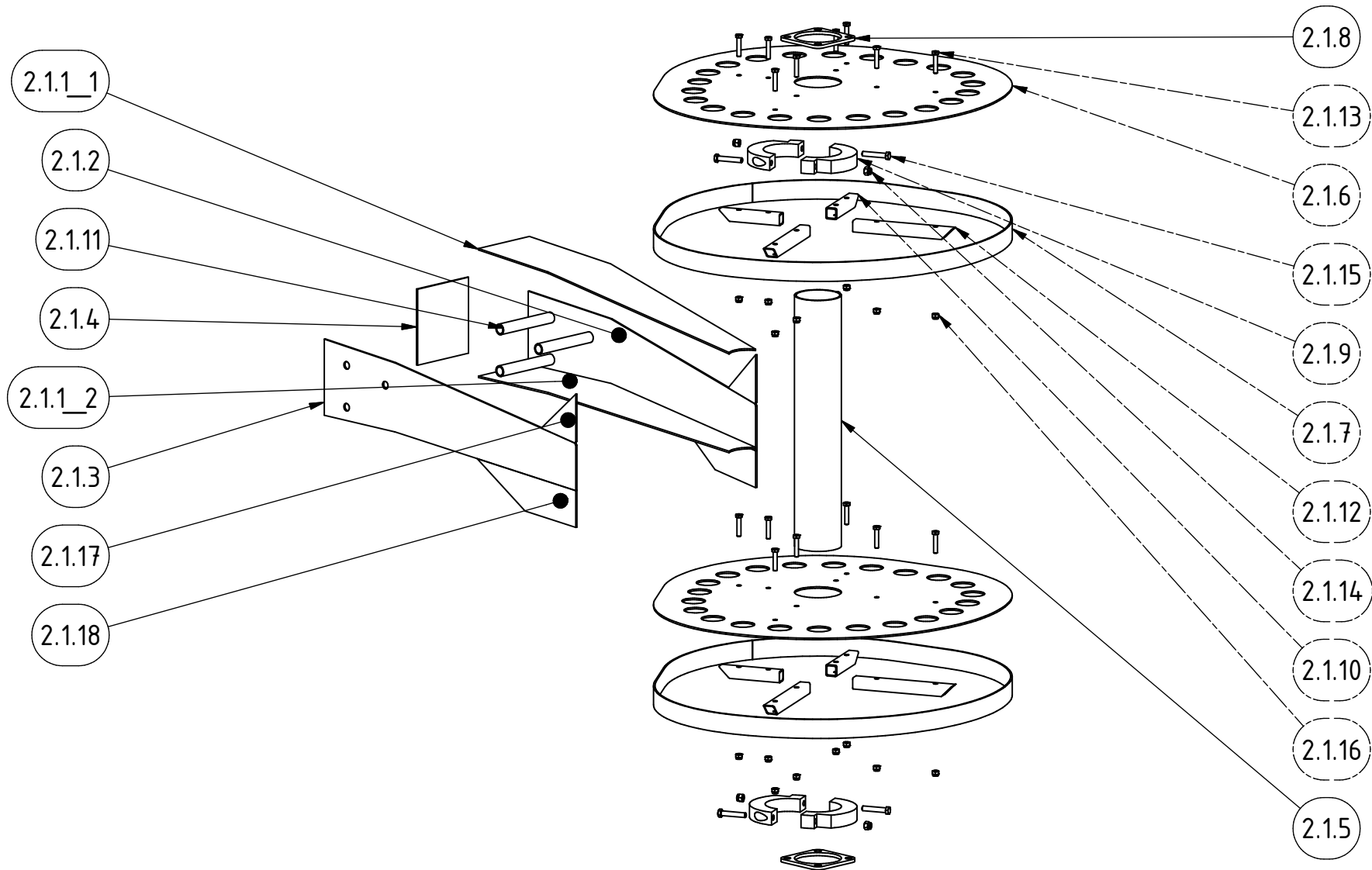
PROJECT		CREATED BY		APPROVED BY		DATE		VERSION	
Vertical Drum Hemp Harvester		A. Morillo		D. Jaeger		22-05-2024		0.06	
PART NAME		SPECIFICACIONES						CODE	
Main frame top cpl with attachments								2.0.0	
DEVELOPED BY		REDESIGNED BY		FILENAME				QTY	
Hanfasser				2.ipn				2	
		OHO e.V.		LICENSE		DOC. TYPE		SCALE	
				CC-BY-SA 4.0		Assembly		2 : 35	
								107 /215	



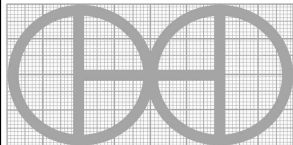
Size table	
Pos	d1
2.1_A (right)	97 mm
2.1_B (left)	137 mm

This item was adjusted to avoid interference problems

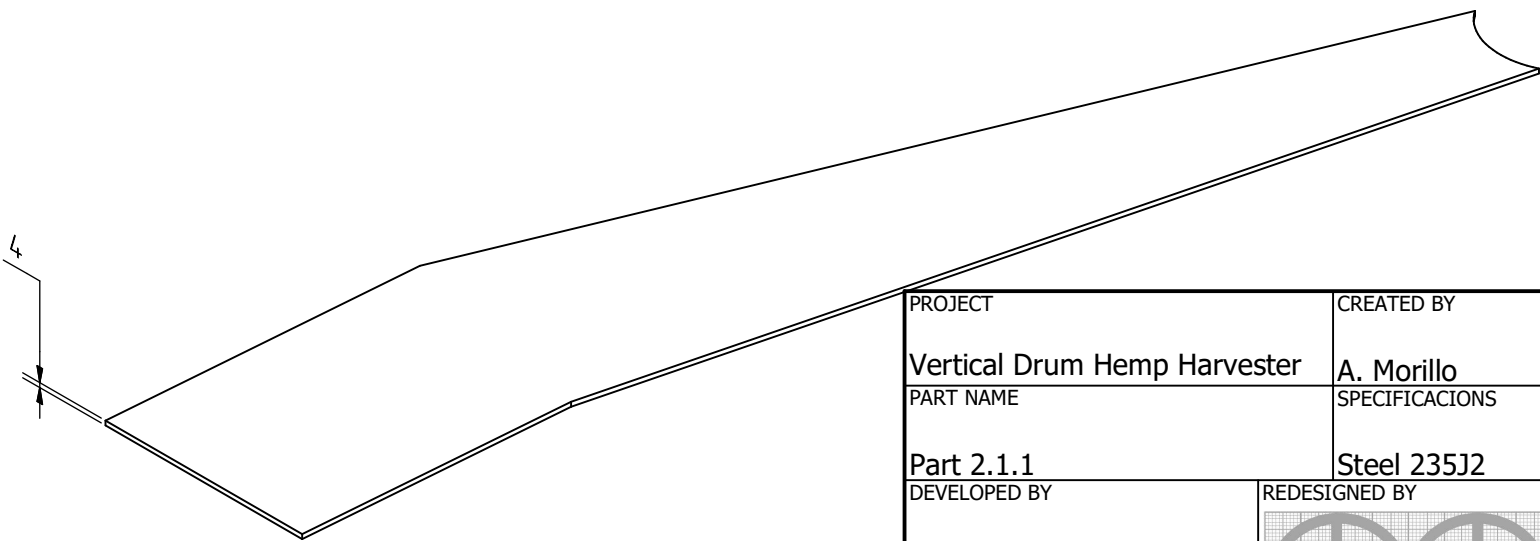
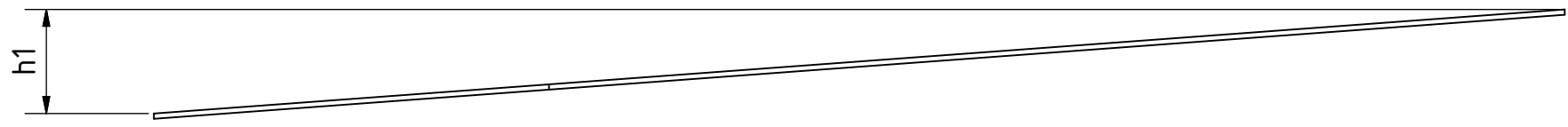
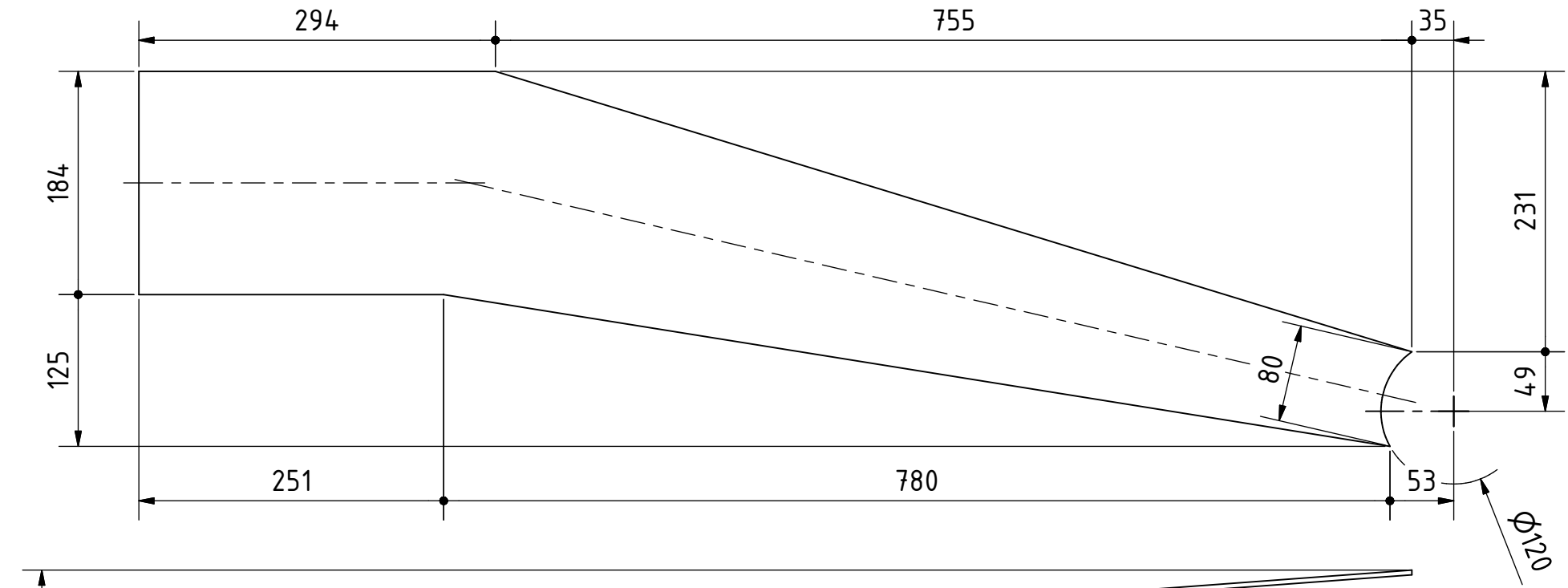
PROJECT	CREATED BY	APPROVED BY	DATE	VERSION
Vertical Drum Hemp Harvester	A. Morillo	D. Jaeger	22-05-2024	0.06
PART NAME	SPECIFICACIONES			CODE
Main frame top				2.1.0
DEVELOPED BY	REDESIGNED BY	FILENAME	QTY	
		2.1.iam	2	
		LICENSE	DOC. TYPE	SCALE SHEET
Hanfasser		CC-BY-SA 4.0	Assembly	2 : 25 108 /215



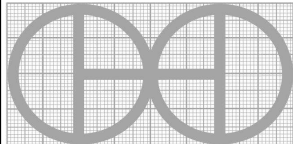
PROJECT	CREATED BY	APPROVED BY	DATE	VERSION
Vertical Drum Hemp Harvester	A. Morillo	D. Jaeger	22-05-2024	0.06
PART NAME	SPECIFICACIONES			CODE
Main frame top				2.1.0
DEVELOPED BY	REDESIGNED BY	FILENAME		QTY
		2.1.ipn		2
		LICENSE	DOC. TYPE	SHEET
		CC-BY-SA 4.0	Assembly	109 /215



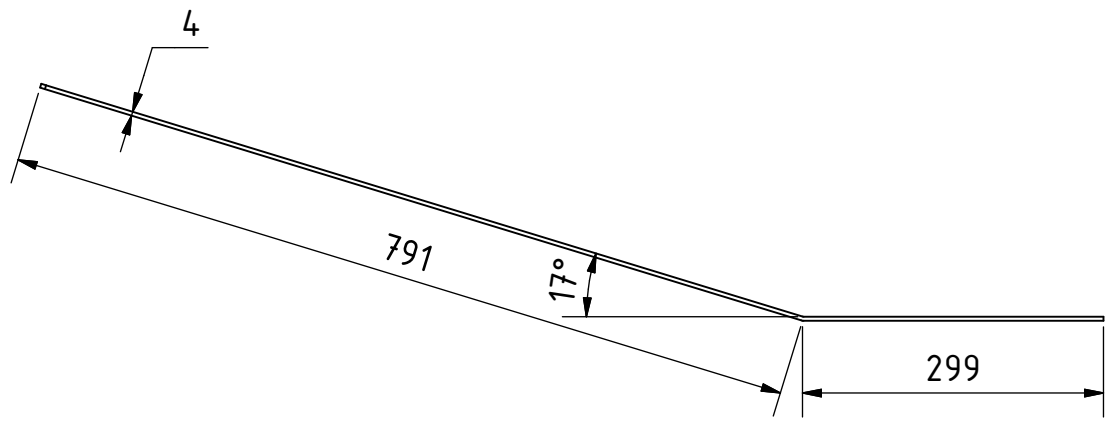
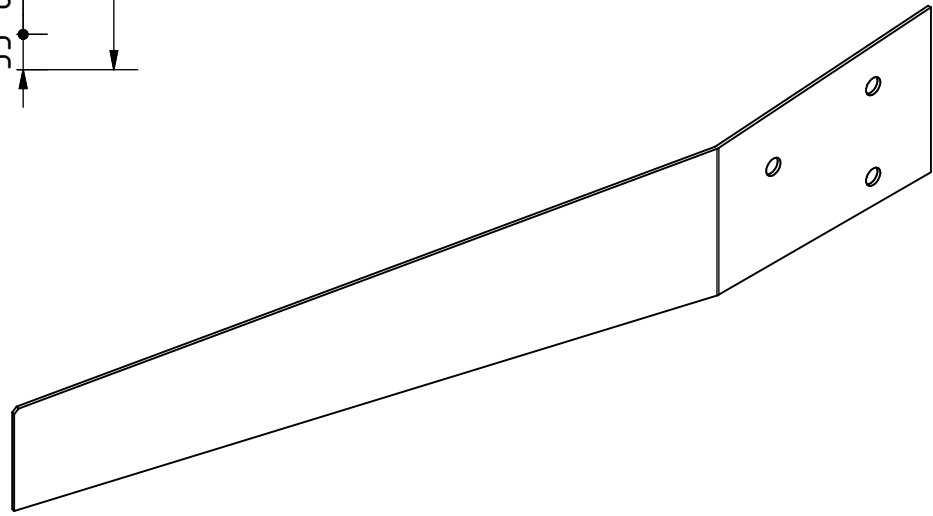
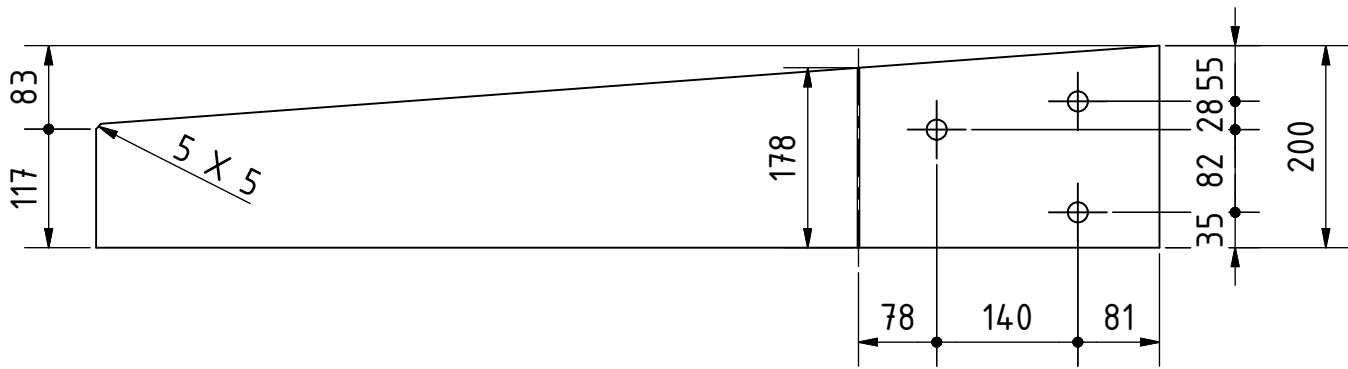
OHO e.V.



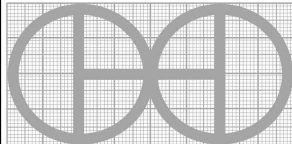
Size table	
Pos	h1
2.1.1_1	80 mm
2.1.1_2	0 mm

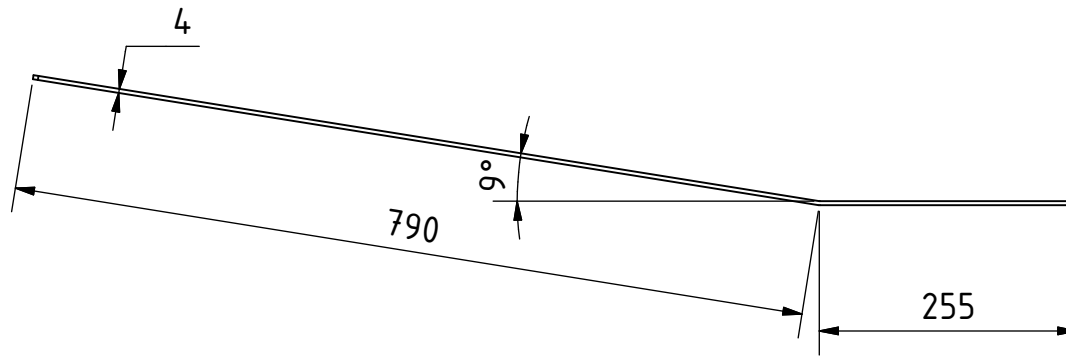
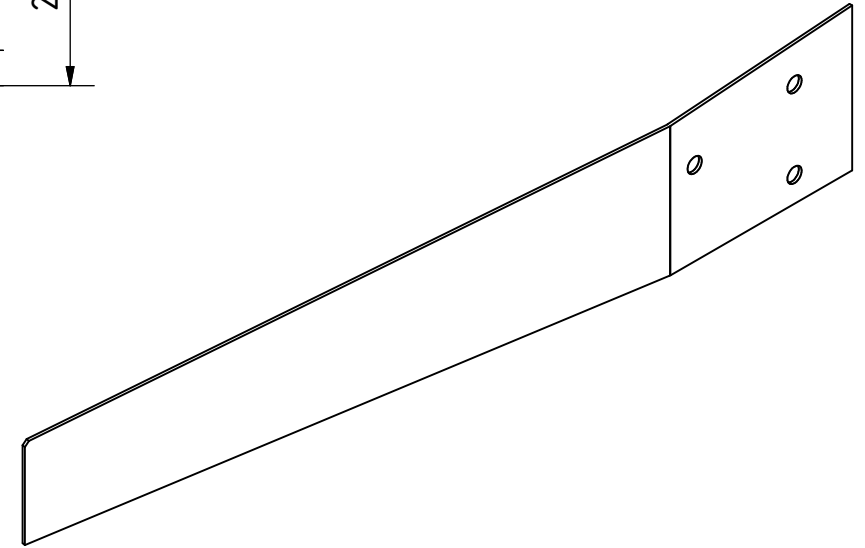
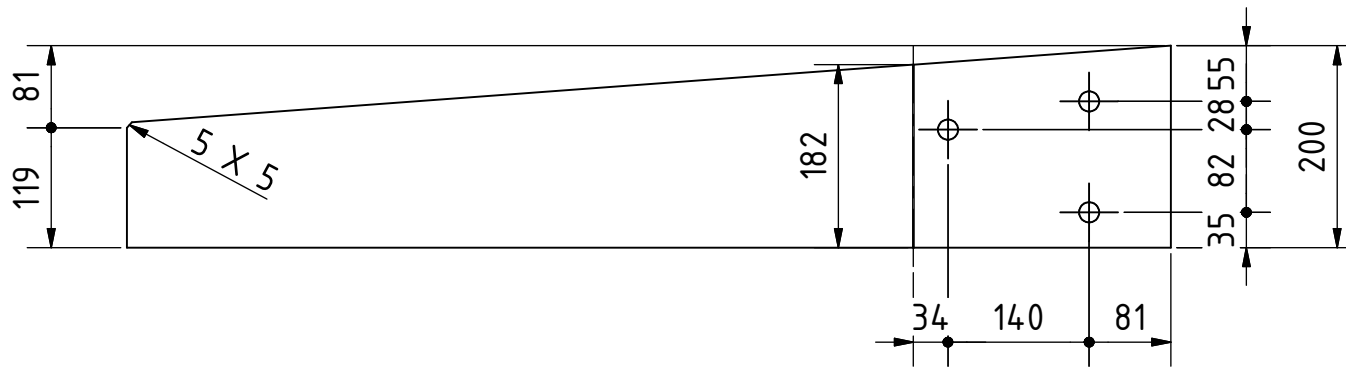
PROJECT	CREATED BY	APPROVED BY	DATE	VERSION	
Vertical Drum Hemp Harvester	A. Morillo	D. Jaeger	22-05-2024	0.06	
PART NAME	SPECIFICACIONES			CODE	
Part 2.1.1	Steel 235J2			2.1.1	
DEVELOPED BY	REDESIGNED BY	FILENAME		QTY	
		2.1.1.ipt		4	
Hanfasser		LICENSE	DOC. TYPE	SCALE	SHEET
		CC-BY-SA 4.0	Part	1 : 5	110 /215

OHO e.V.

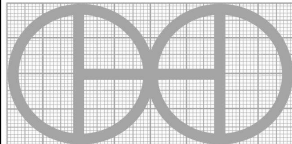


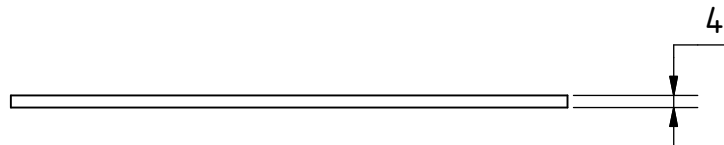
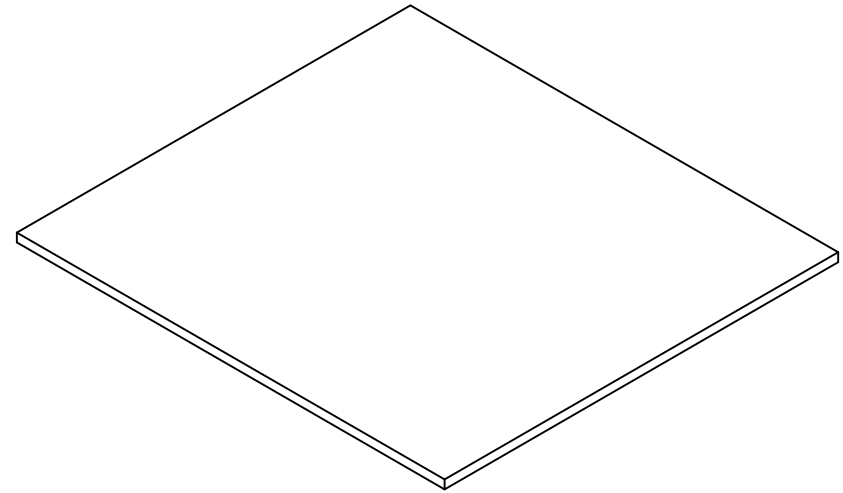
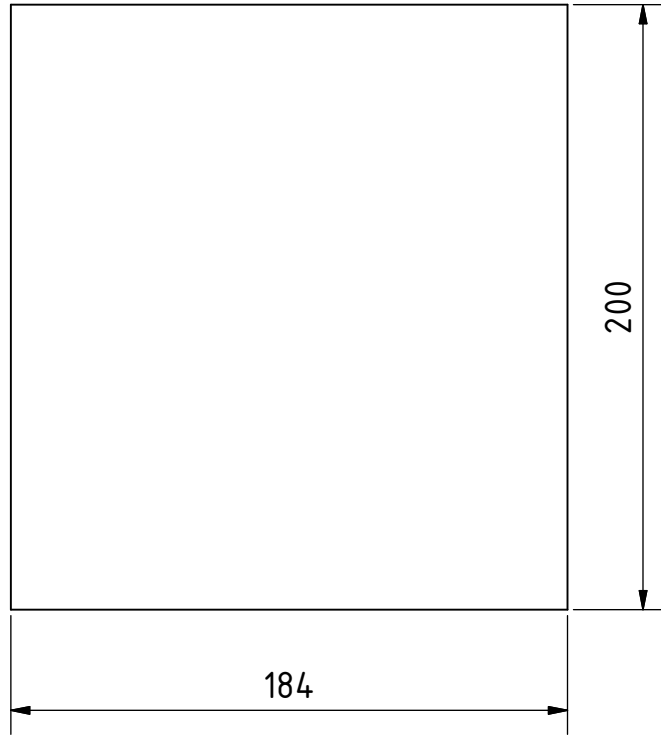
Symmetrical item

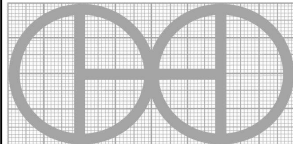
PROJECT	CREATED BY	APPROVED BY	DATE	VERSION	
Vertical Drum Hemp Harvester	A. Morillo	D. Jaeger	22-05-2024	0.06	
PART NAME	SPECIFICACIONES			CODE	
Part 2.1.2	Steel 235J2			2.1.2	
DEVELOPED BY	REDESIGNED BY	FILENAME		QTY	
Hanfasser		2.1.2.ipt		2	
		LICENSE	DOC. TYPE	SCALE	SHEET
		CC-BY-SA 4.0	Part	2 : 15	111 /215



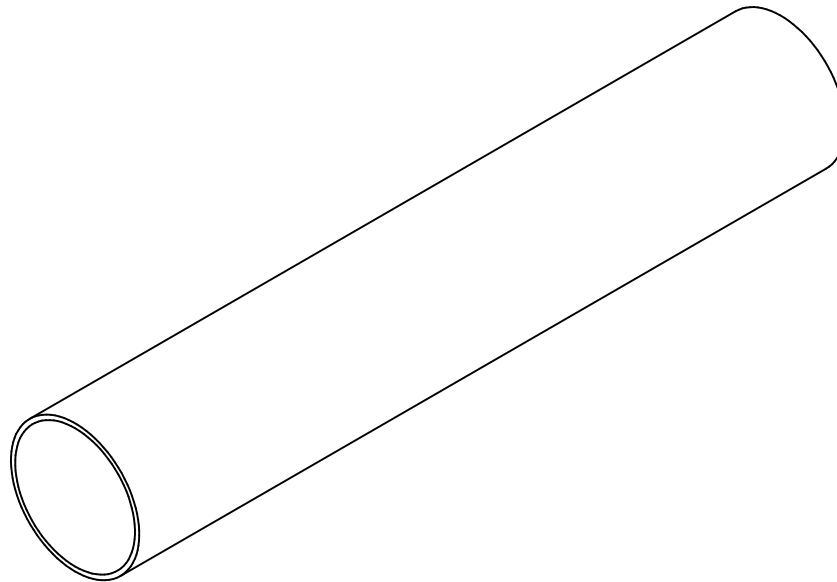
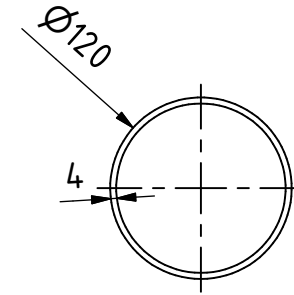
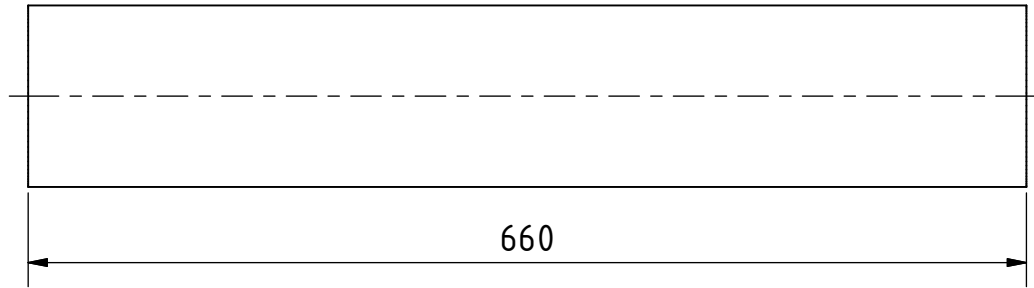
Symmetrical item

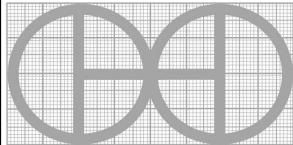
PROJECT	CREATED BY	APPROVED BY	DATE	VERSION	
Vertical Drum Hemp Harvester	A. Morillo	D. Jaeger	22-05-2024	0.06	
PART NAME	SPECIFICACIONES			CODE	
Part 2.1.3	Steel 235J2			2.1.3	
DEVELOPED BY	REDESIGNED BY	FILENAME		QTY	
Hanfasser		2.1.3.ipt		2	
		LICENSE	DOC. TYPE	SCALE	SHEET
		CC-BY-SA 4.0	Part	2 : 15	112 /215

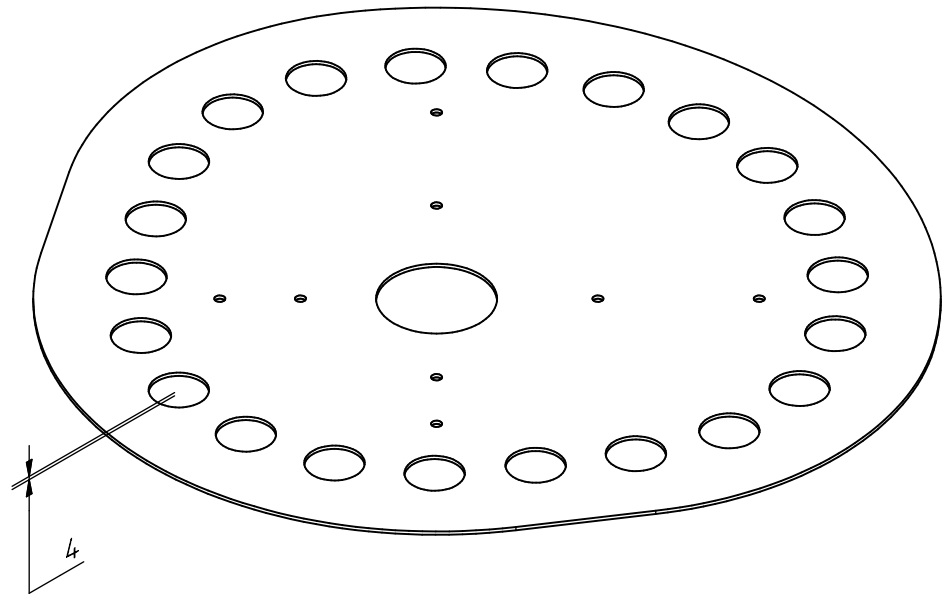
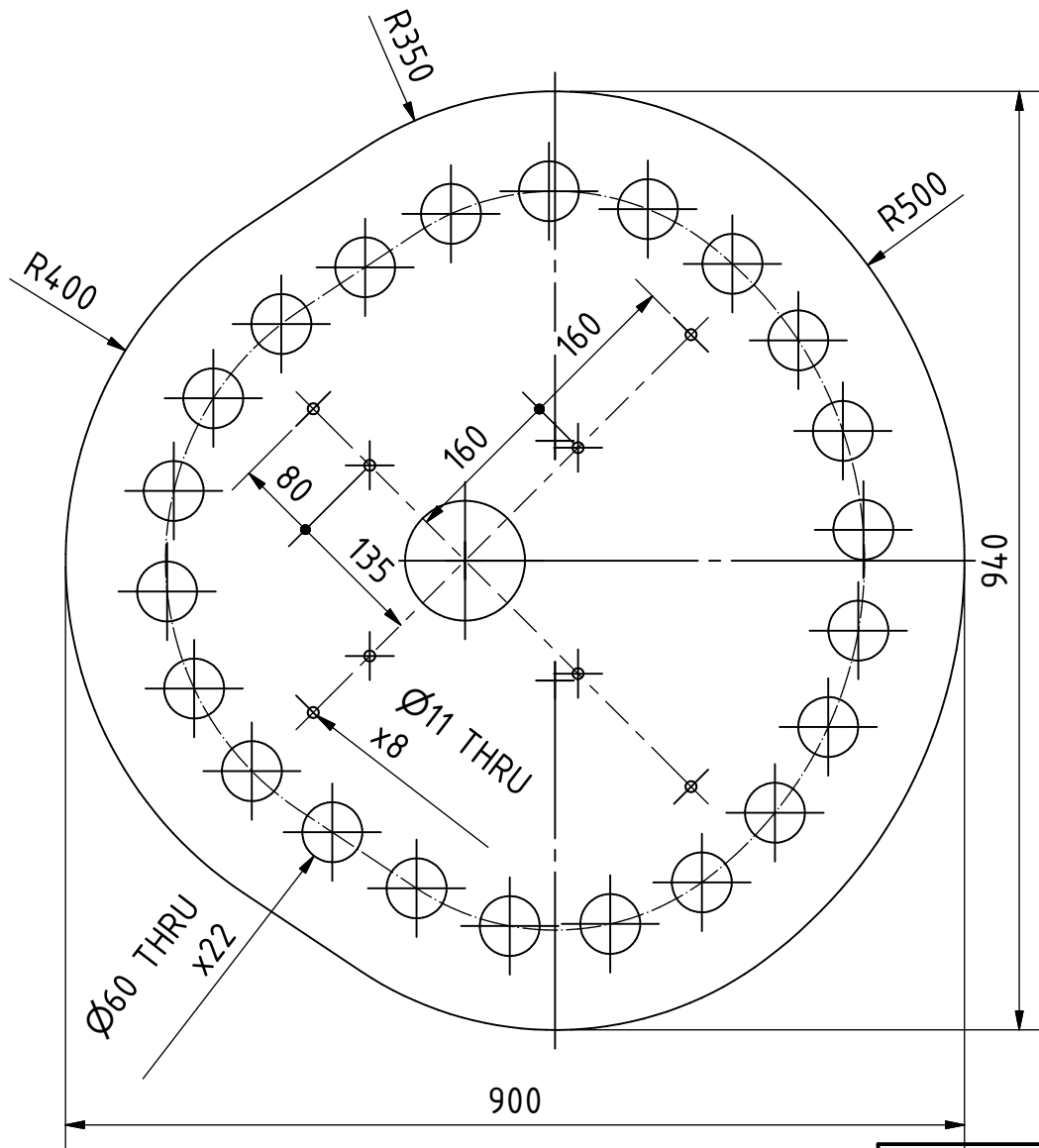


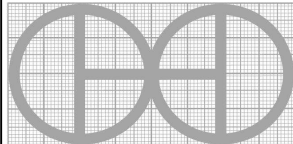
PROJECT	CREATED BY	APPROVED BY	DATE	VERSION	
Vertical Drum Hemp Harvester	A. Morillo	D. Jaeger	22-05-2024	0.06	
PART NAME	SPECIFICACIONES			CODE	
Part 2.1.4	Steel 235J2			2.1.4	
DEVELOPED BY	REDESIGNED BY	FILENAME		QTY	
Hanfasser		2.1.4.ipt		2	
		LICENSE	DOC. TYPE	SCALE	SHEET
		CC-BY-SA 4.0	Part	2 : 5	113 /215

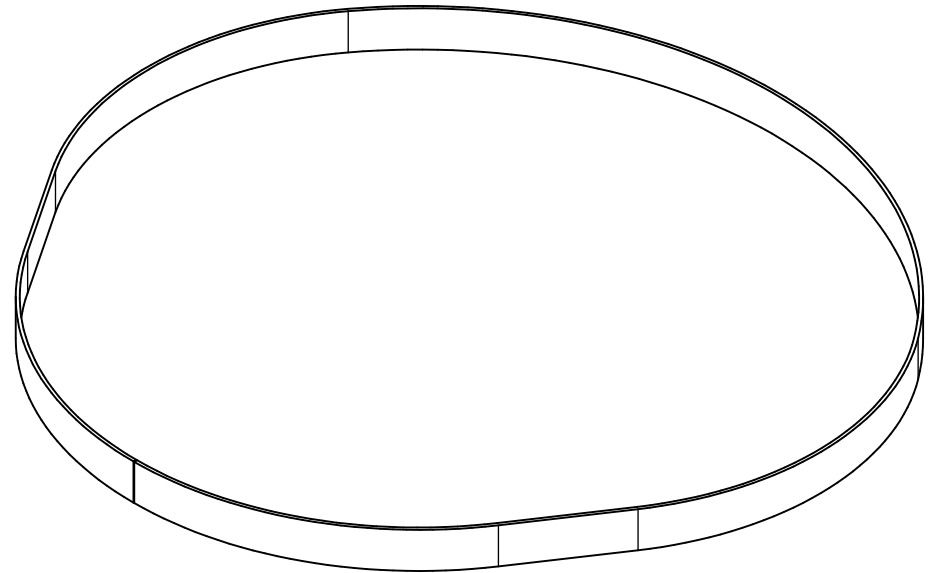
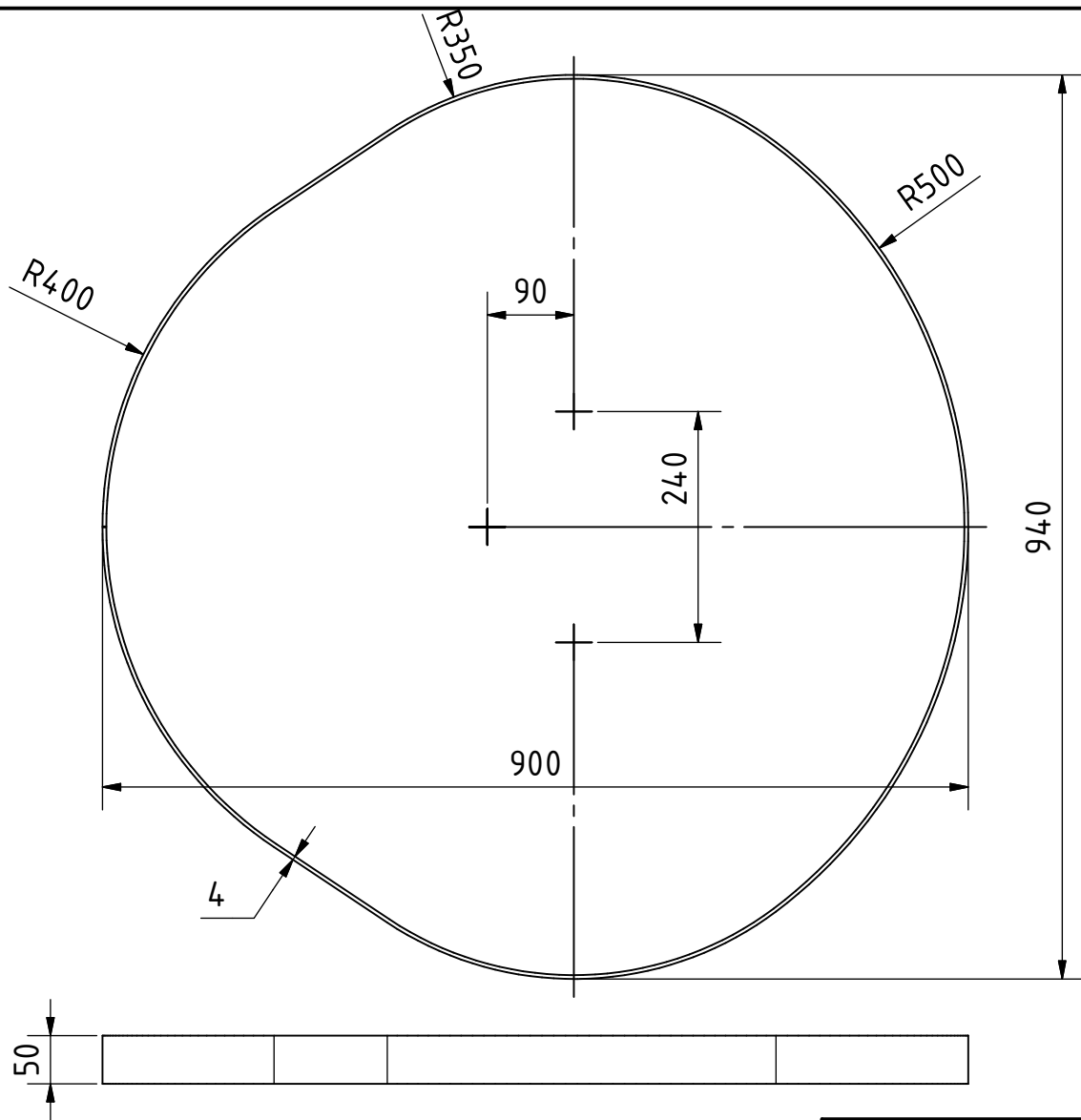
OHO e.V.

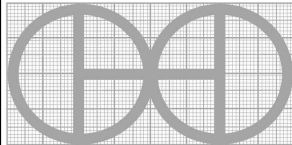


PROJECT	CREATED BY	APPROVED BY	DATE	VERSION	
Vertical Drum Hemp Harvester	A. Morillo	D. Jaeger	22-05-2024	0.06	
PART NAME	SPECIFICACIONES			CODE	
Part 2.1.5	Round tube D120*4 mm			2.1.5	
DEVELOPED BY	REDESIGNED BY	FILENAME		QTY	
Hanfasser		2.1.5.ipt		2	
		LICENSE	DOC. TYPE	SCALE	SHEET
		CC-BY-SA 4.0	Part	1 : 5	114 /215

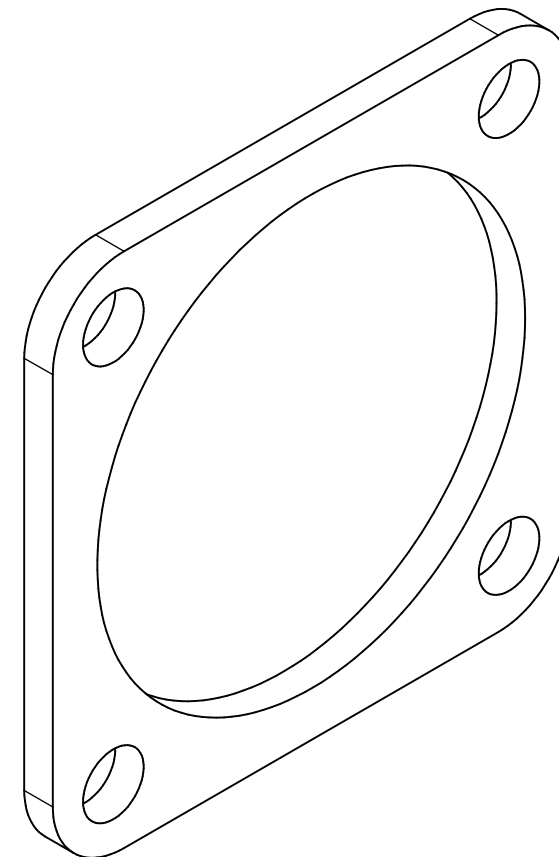
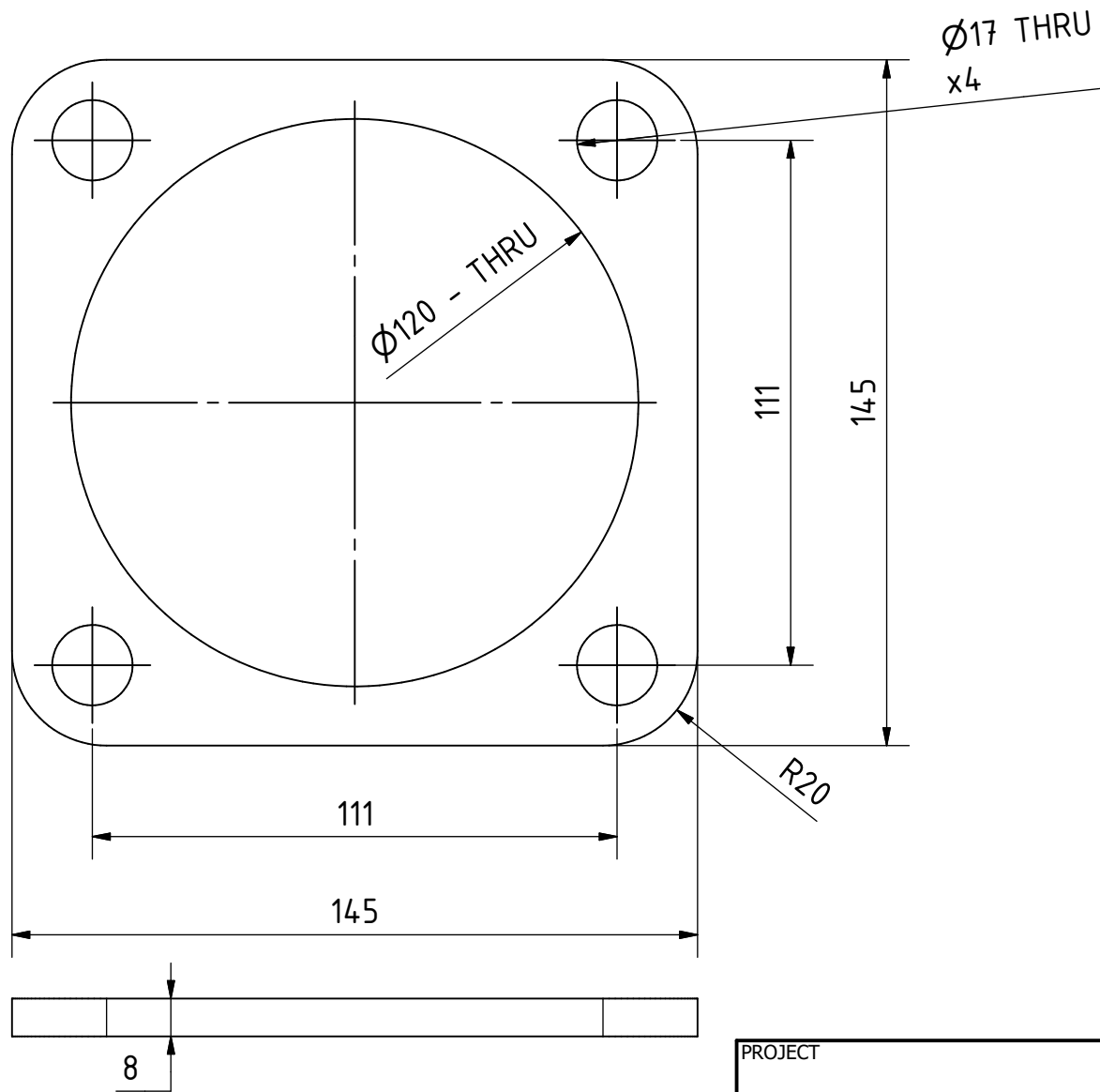


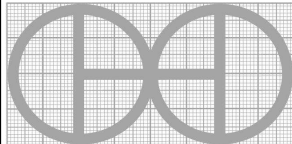
PROJECT		CREATED BY		APPROVED BY		DATE		VERSION		
Vertical Drum Hemp Harvester		A. Morillo		D. Jaeger		22-05-2024		0.06		
PART NAME		SPECIFICACIONES							CODE	
Part 2.1.6		Steel 235J2							2.1.6	
DEVELOPED BY		REDESIGNED BY		FILENAME				QTY		
Hanfasser				2.1.6.ipt				4		
		OHO e.V.		LICENSE		DOC. TYPE		SCALE		
				CC-BY-SA 4.0		Part		2 : 15		
								115 /215		

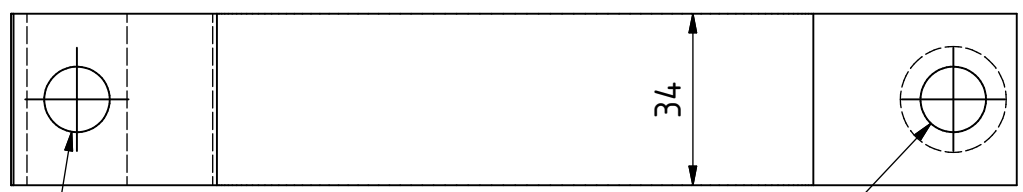
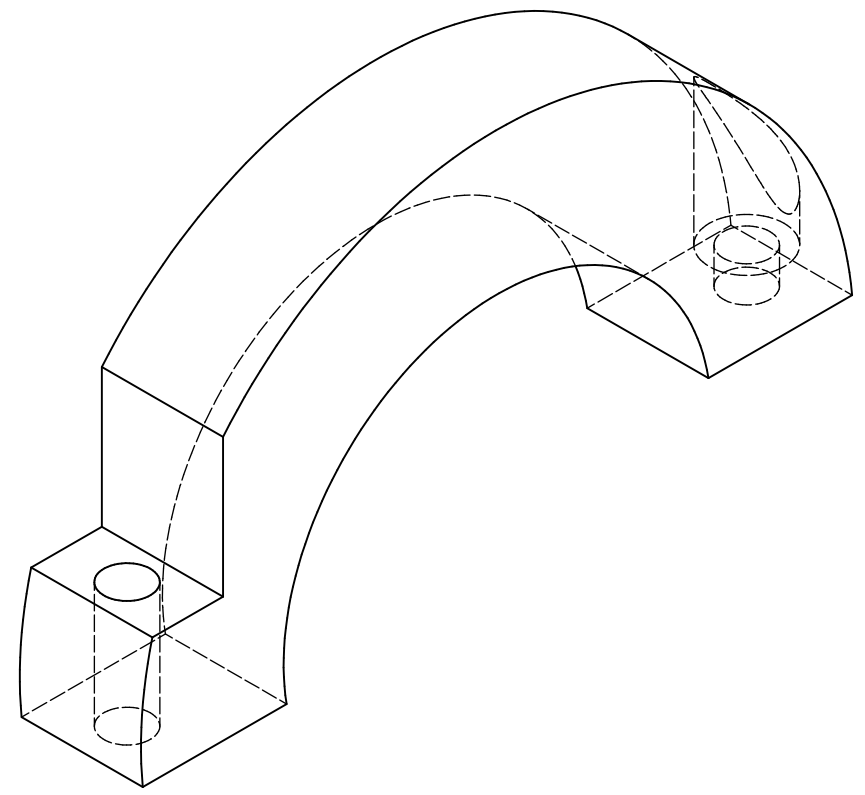
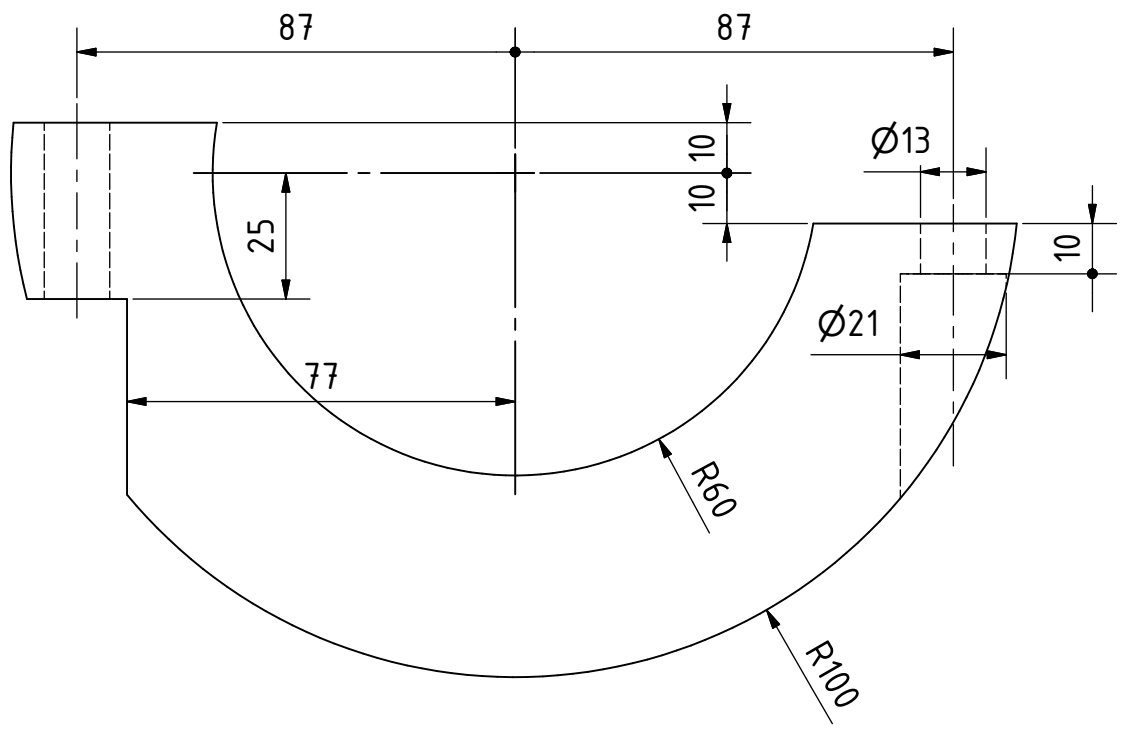


PROJECT	CREATED BY	APPROVED BY	DATE	VERSION
Vertical Drum Hemp Harvester	A. Morillo	D. Jaeger	22-05-2024	0.06
PART NAME	SPECIFICACIONES			CODE
Part 2.1.7	Flat bar 50*4 mm			2.1.7
DEVELOPED BY	REDESIGNED BY	FILENAME		QTY
		2.1.7.ipt		4
		LICENSE	DOC. TYPE	SCALE
Hanfasser		CC-BY-SA 4.0	Part	2 : 15
				SHEET
				116 /215

OHO e.V.



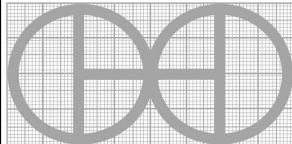
PROJECT	CREATED BY	APPROVED BY	DATE	VERSION
Vertical Drum Hemp Harvester	A. Morillo	D. Jaeger	22-05-2024	0.06
PART NAME	SPECIFICACIONES			CODE
Part 2.1.8	Steel 235J2			2.1.8
DEVELOPED BY	REDESIGNED BY	FILENAME		QTY
		2.1.8.ipt		4
Hanfasser		LICENSE	DOC. TYPE	SHEET
		CC-BY-SA 4.0	Part	117 /215
		SCALE		
		2 : 3		

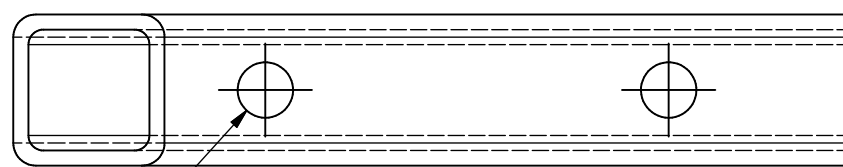
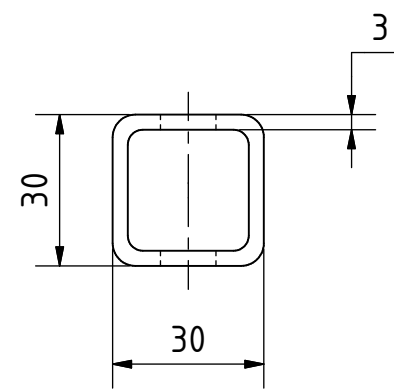
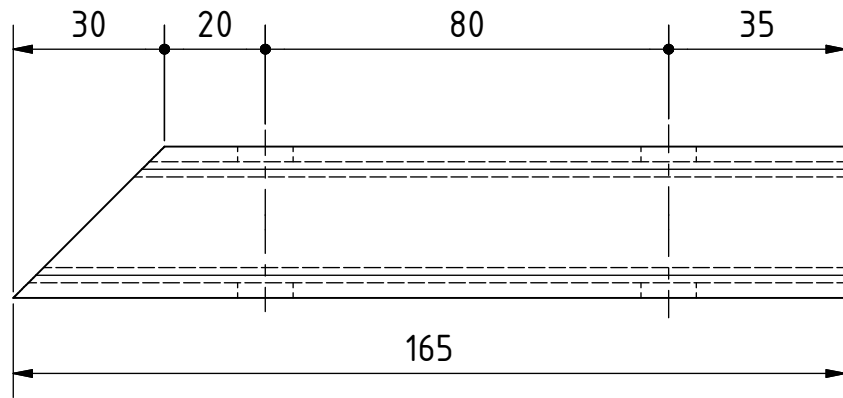


Ø13 THRU

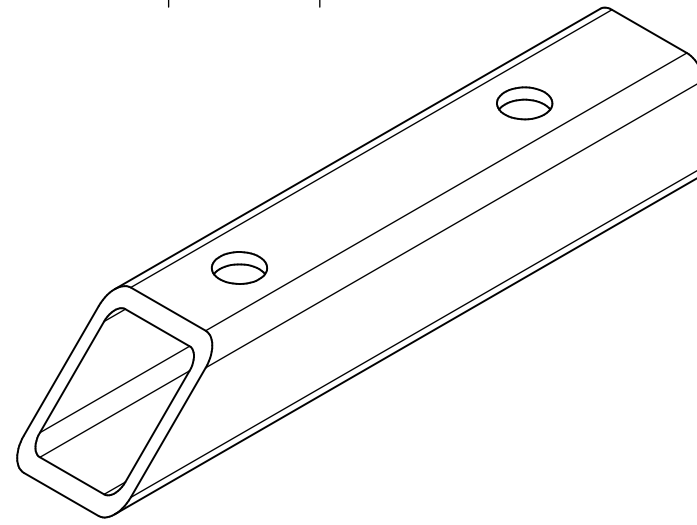
Ø13 THRU
DIN 974 - Ø21

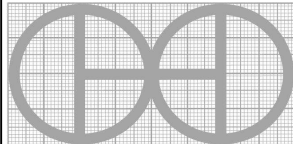
Verify material

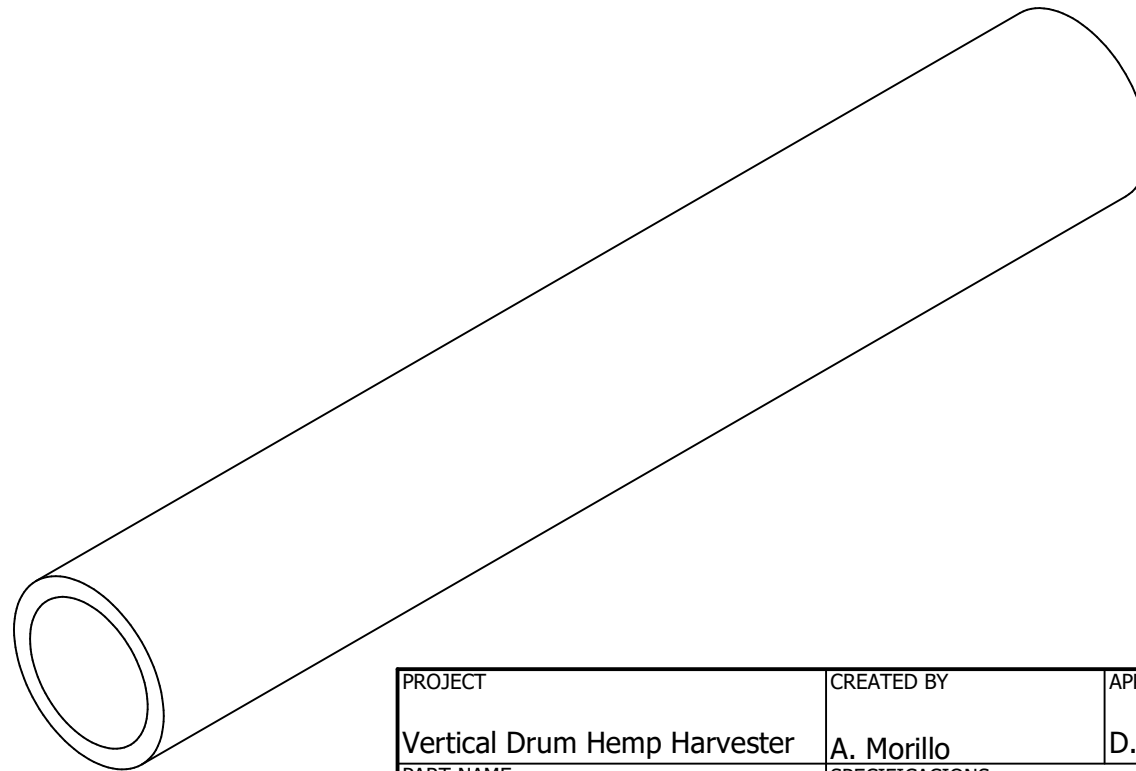
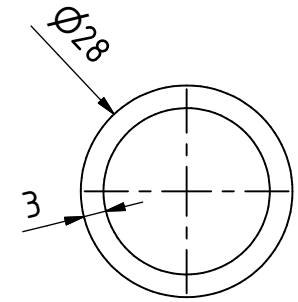
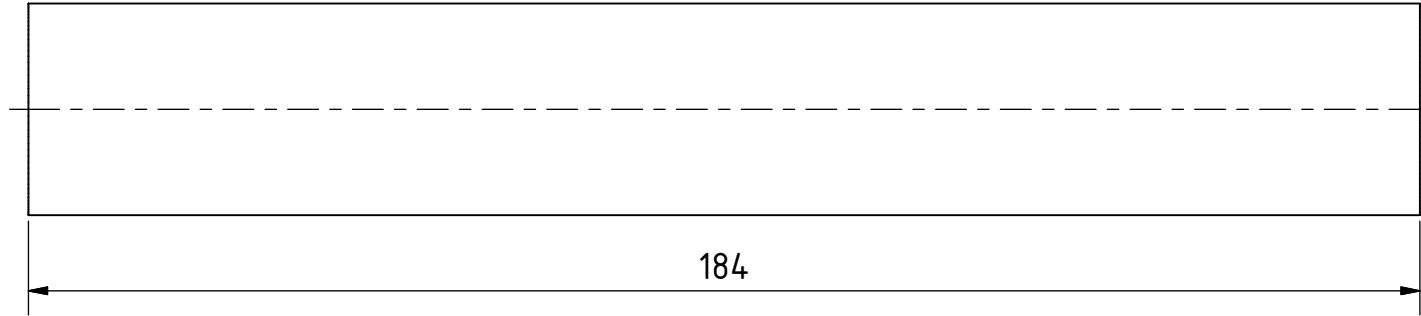
PROJECT	CREATED BY	APPROVED BY	DATE	VERSION
Vertical Drum Hemp Harvester	A. Morillo	D. Jaeger	22-05-2024	0.06
PART NAME	SPECIFICACIONES			CODE
Part 2.1.9	Cast iron (*)			2.1.9
DEVELOPED BY	REDESIGNED BY	FILENAME		QTY
		2.1.9.ipt		4
Hanfasser	LICENSE		DOC. TYPE	SHEET
	CC-BY-SA 4.0		Part	118 /215
			SCALE	
			2 : 3	

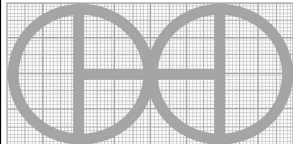


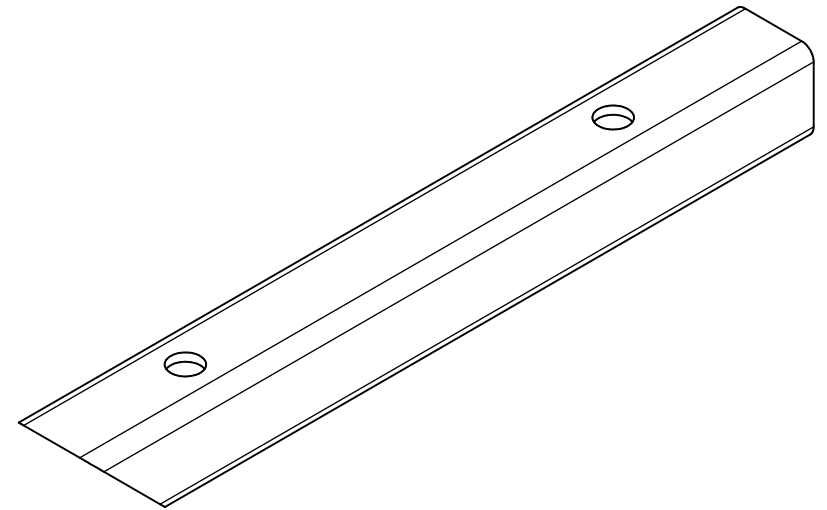
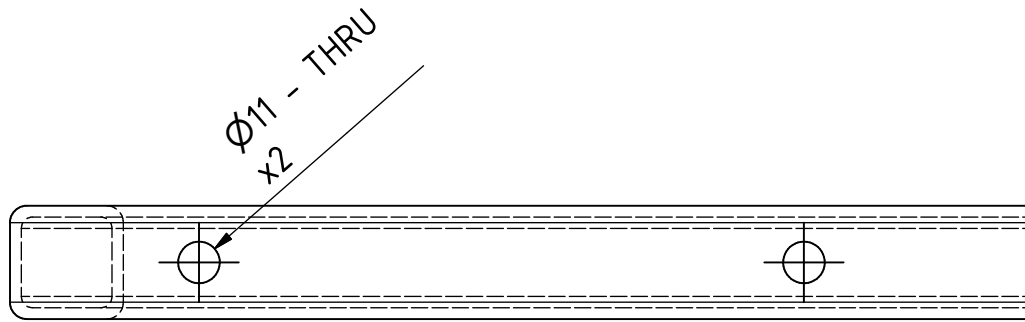
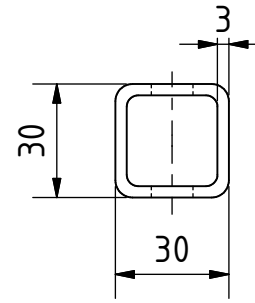
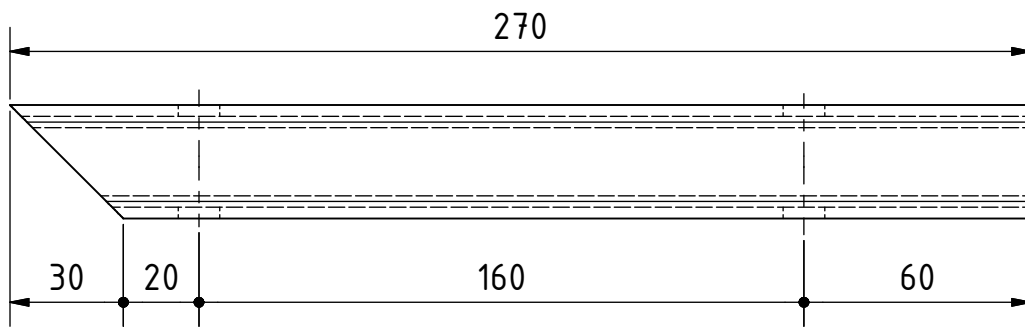
Ø11 - THRU
x2

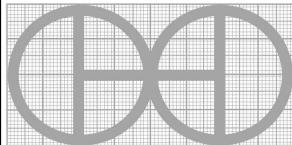


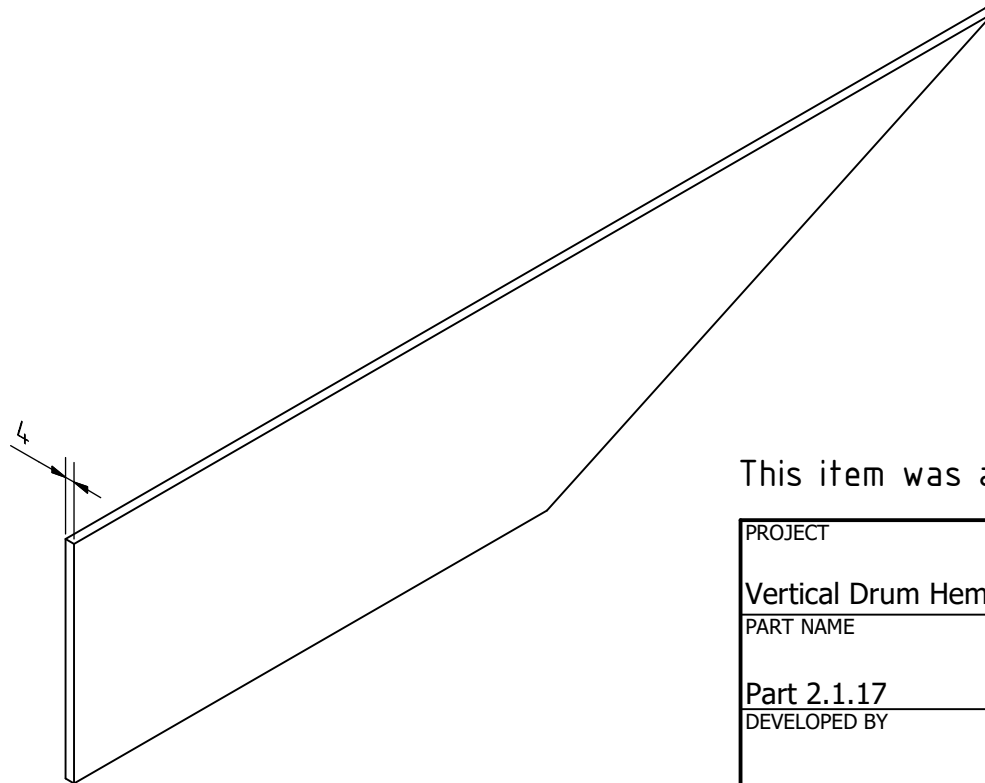
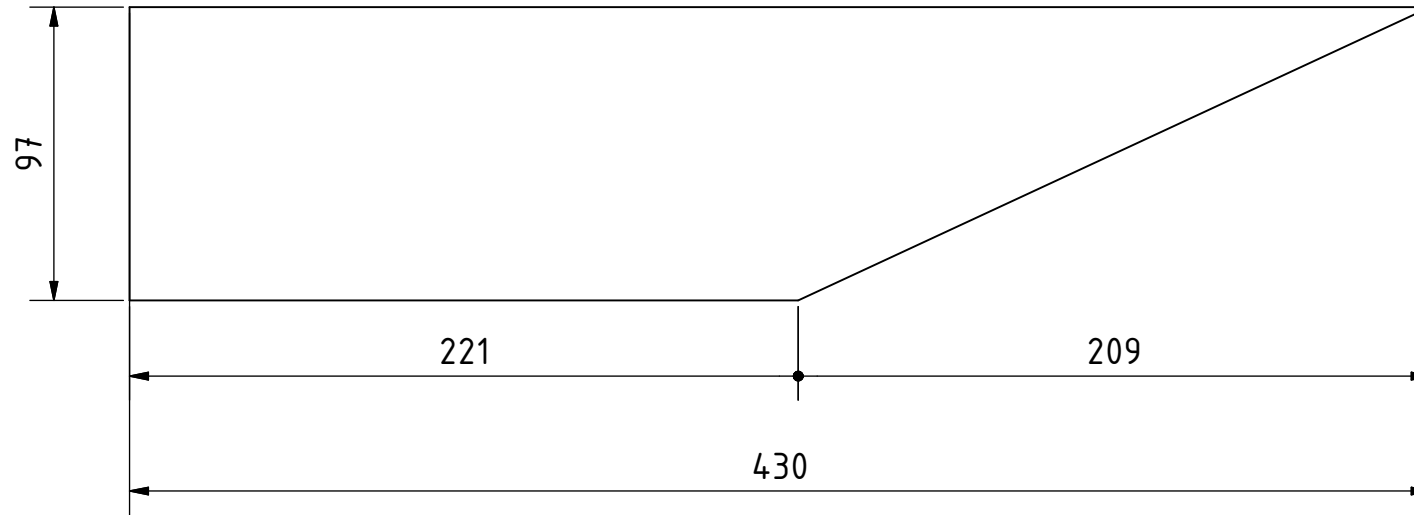
PROJECT	CREATED BY	APPROVED BY	DATE	VERSION
Vertical Drum Hemp Harvester	A. Morillo	D. Jaeger	22-05-2024	0.06
PART NAME	SPECIFICACIONES			CODE
Part 2.1.10	Square profile 30*3 mm			2.1.10
DEVELOPED BY	REDESIGNED BY	FILENAME	QTY	
		2.1.10.ipt	8	
Hanfasser		LICENSE	DOC. TYPE	SCALE SHEET
		CC-BY-SA 4.0	Part	2 : 3 119 /215



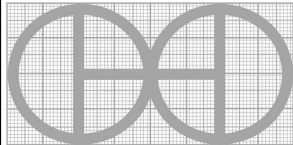
PROJECT	CREATED BY	APPROVED BY	DATE	VERSION	
Vertical Drum Hemp Harvester	A. Morillo	D. Jaeger	22-05-2024	0.06	
PART NAME	SPECIFICACIONES			CODE	
Part 2.1.11	Round tube D28*3 mm			2.1.11	
DEVELOPED BY	REDESIGNED BY	FILENAME		QTY	
Hanfasser		OHO e.V. 2.1.11.ipt		6	
		LICENSE	DOC. TYPE	SCALE	SHEET
		CC-BY-SA 4.0	Part	1 : 1	120 /215



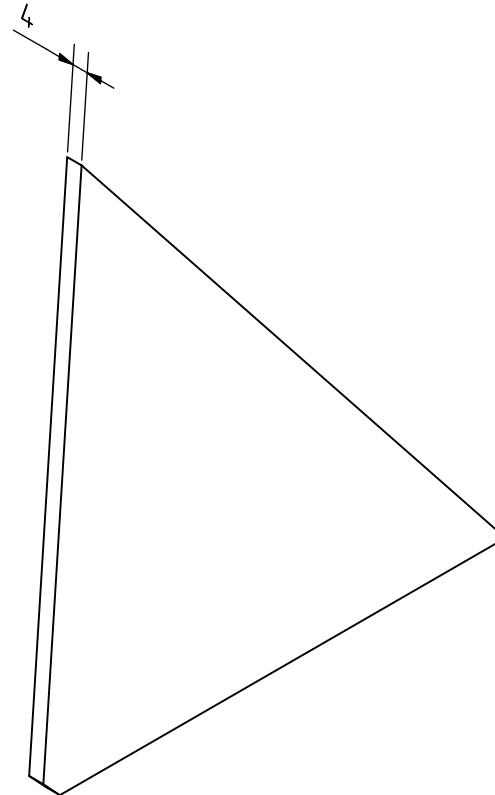
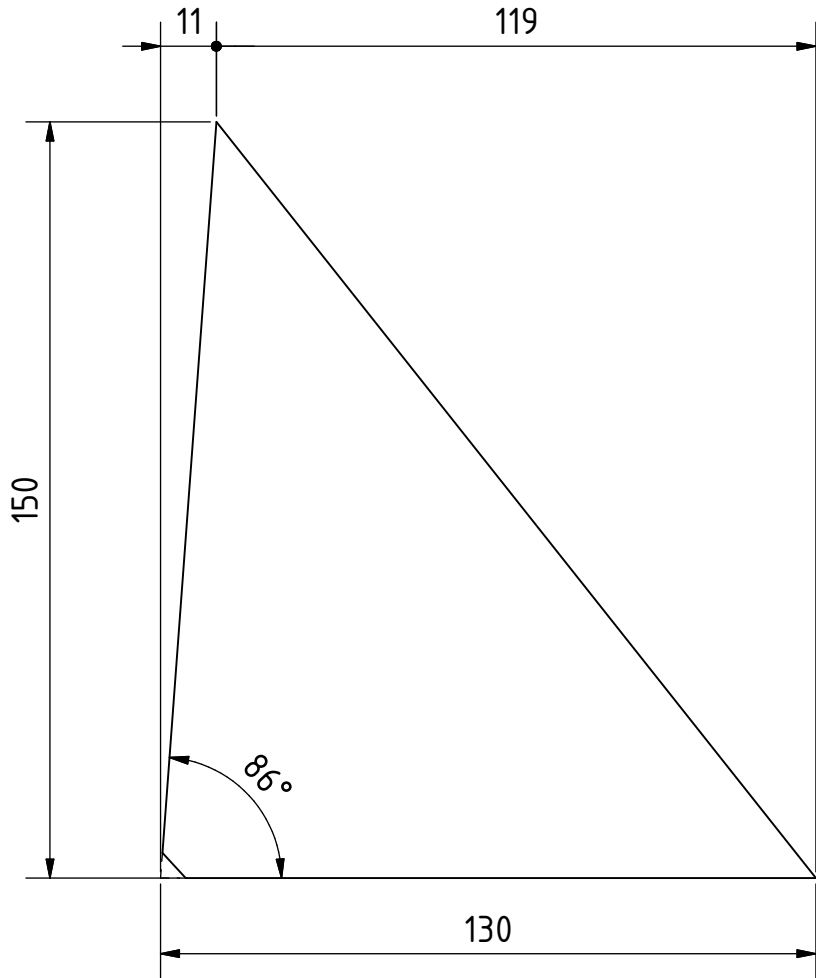
PROJECT	CREATED BY	APPROVED BY	DATE	VERSION
Vertical Drum Hemp Harvester	A. Morillo	D. Jaeger	22-05-2024	0.06
PART NAME	SPECIFICACIONES			CODE
Part 2.1.12	Square profile 30*3 mm			2.1.12
DEVELOPED BY	REDESIGNED BY	FILENAME		QTY
		2.1.12.ipt		8
Hanfasser		LICENSE	DOC. TYPE	SHEET
		CC-BY-SA 4.0	Part	121 /215
			SCALE	
			1 : 2	



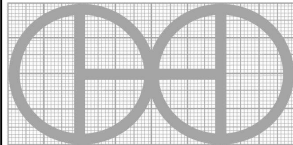
This item was adjusted to avoid interference problems

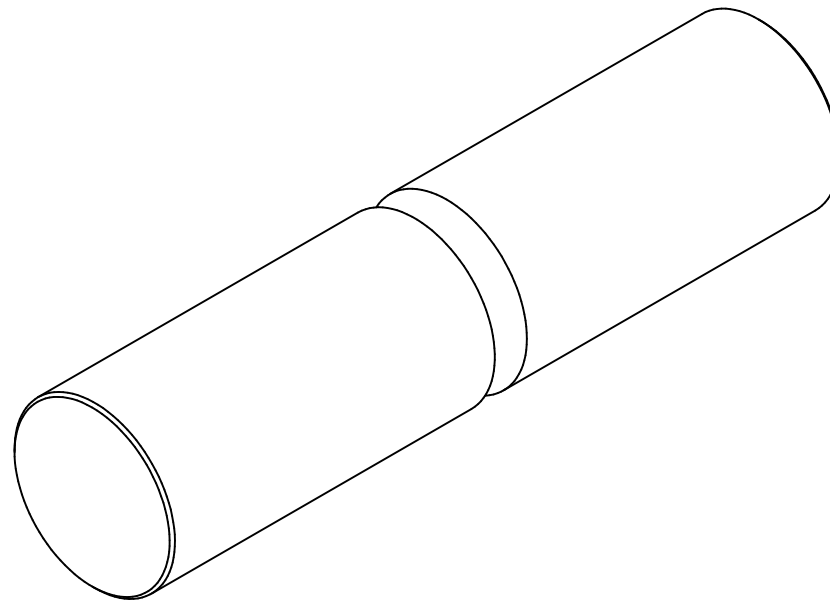
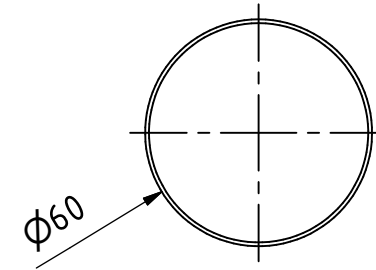
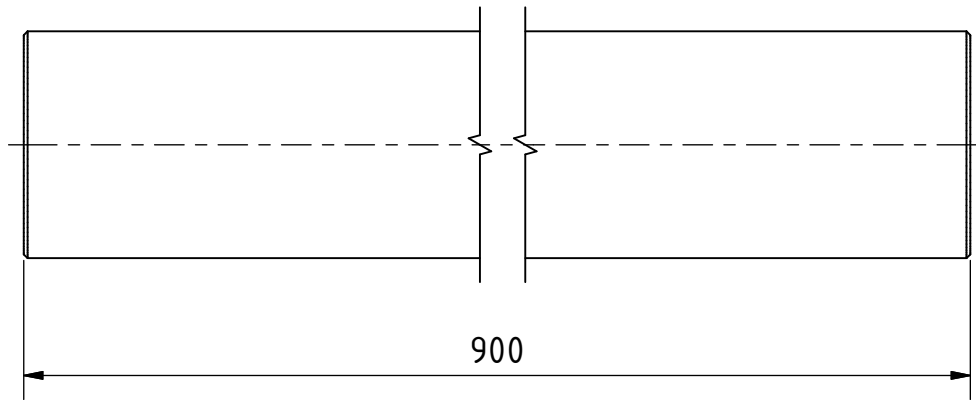
PROJECT	CREATED BY	APPROVED BY	DATE	VERSION	
Vertical Drum Hemp Harvester	A. Morillo	D. Jaeger	22-05-2024	0.06	
PART NAME	SPECIFICACIONES			CODE	
Part 2.1.17	Steel 235J2			2.1.17	
DEVELOPED BY	REDESIGNED BY	FILENAME		QTY	
Hanfasser		2.1.17.ipt		4	
		LICENSE	DOC. TYPE	SCALE	SHEET
		CC-BY-SA 4.0	Part	2 : 5	122 /215

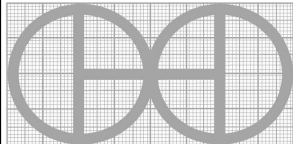
OHO e.V.



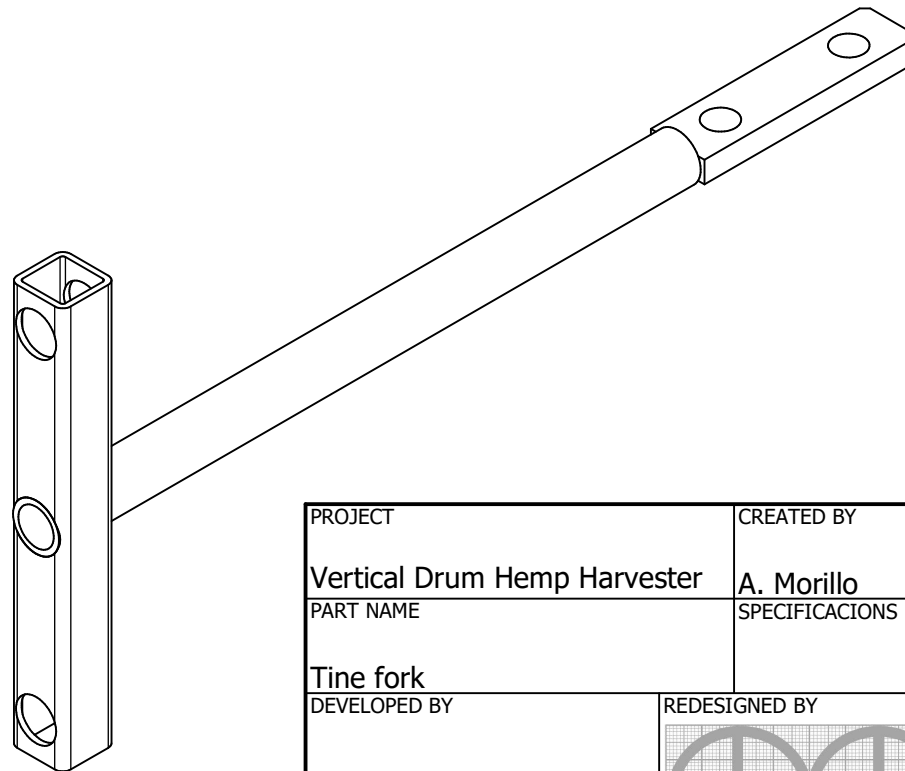
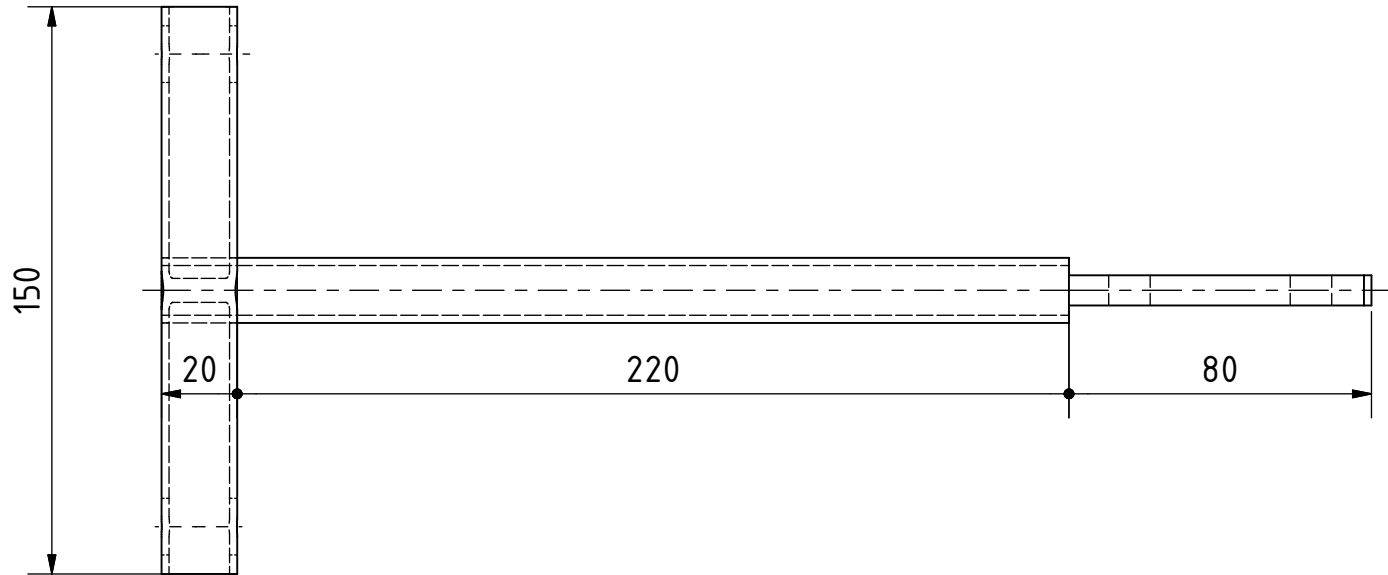
This item was adjusted to avoid interference problems

PROJECT	CREATED BY	APPROVED BY	DATE	VERSION	
Vertical Drum Hemp Harvester	A. Morillo	D. Jaeger	22-05-2024	0.06	
PART NAME	SPECIFICACIONES			CODE	
Part 2.1.18	Steel 235J2			2.1.18	
DEVELOPED BY	REDESIGNED BY	FILENAME		QTY	
Hanfasser		2.1.18.ipt		4	
		LICENSE	DOC. TYPE	SCALE	SHEET
		CC-BY-SA 4.0	Part	2 : 3	123 /215

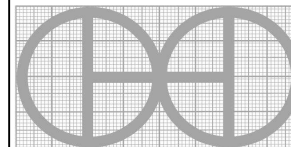


PROJECT	CREATED BY	APPROVED BY	DATE	VERSION	
Vertical Drum Hemp Harvester	A. Morillo	D. Jaeger	22-05-2024	0.06	
PART NAME	SPECIFICACIONES			CODE	
Axle for drum mounting diam. 40	Steel 235J2			2.6.0	
DEVELOPED BY	REDESIGNED BY	FILENAME		QTY	
Hanfasser		2.6.ipt		2	
		LICENSE	DOC. TYPE	SCALE	SHEET
		CC-BY-SA 4.0	Part	1 : 2	124 /215

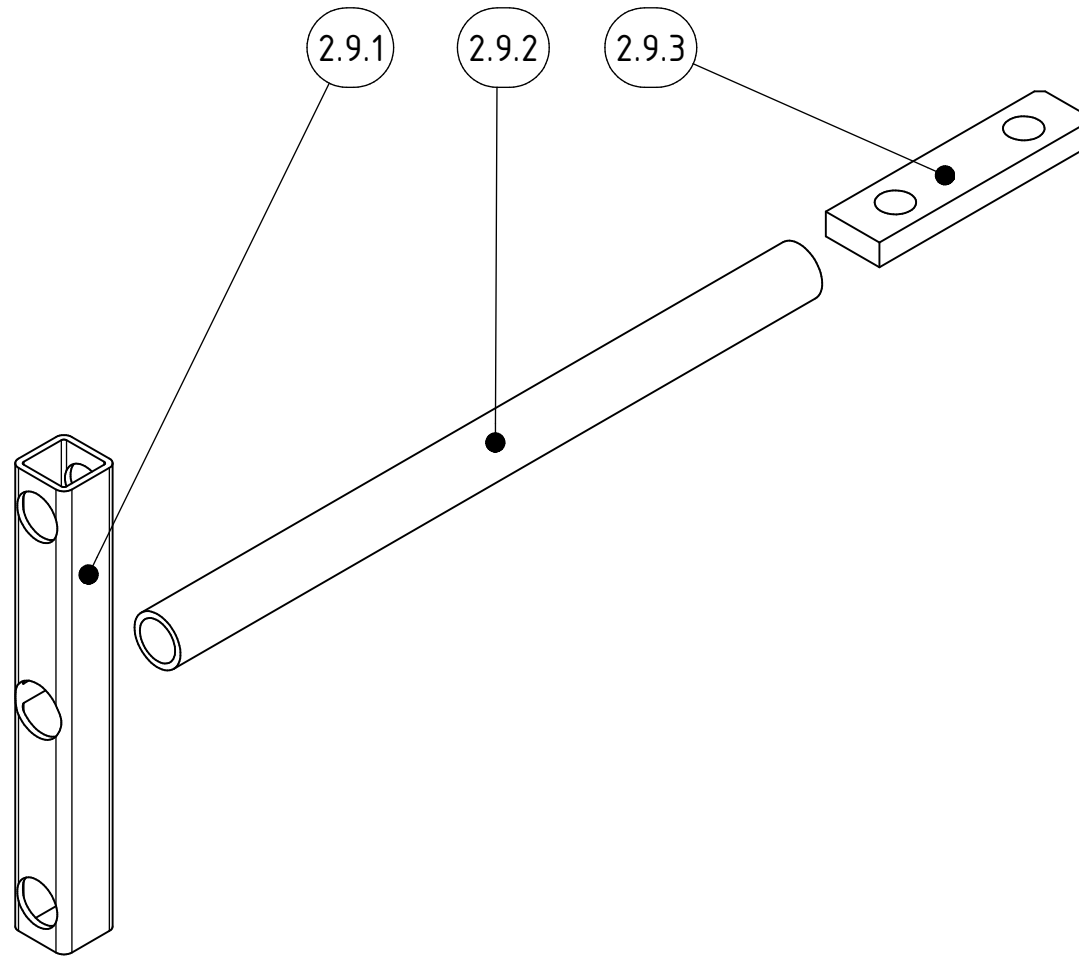
OHO e.V.

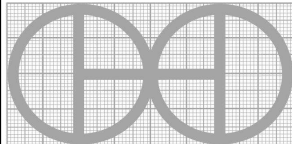


PROJECT	CREATED BY	APPROVED BY	DATE	VERSION
Vertical Drum Hemp Harvester	A. Morillo	D. Jaeger	22-05-2024	0.06
PART NAME	SPECIFICACIONES			CODE
Tine fork				2.9.0
DEVELOPED BY	REDESIGNED BY	FILENAME		QTY
		2.9.iam		48
		LICENSE	DOC. TYPE	SCALE
Handfasser		CC-BY-SA 4.0	Assembly	1 : 2
				SHEET
				125 /215

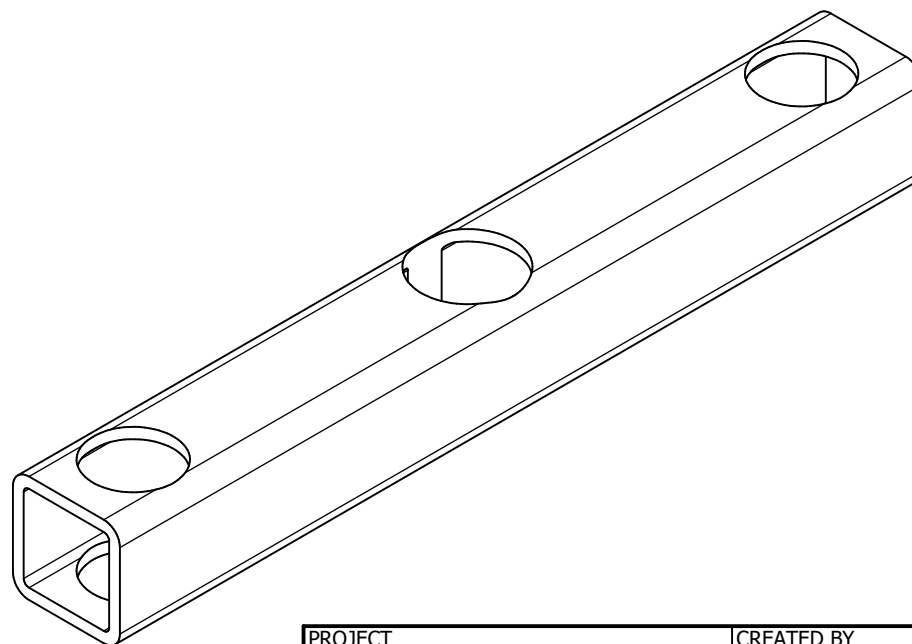
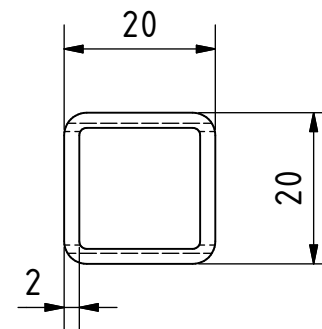
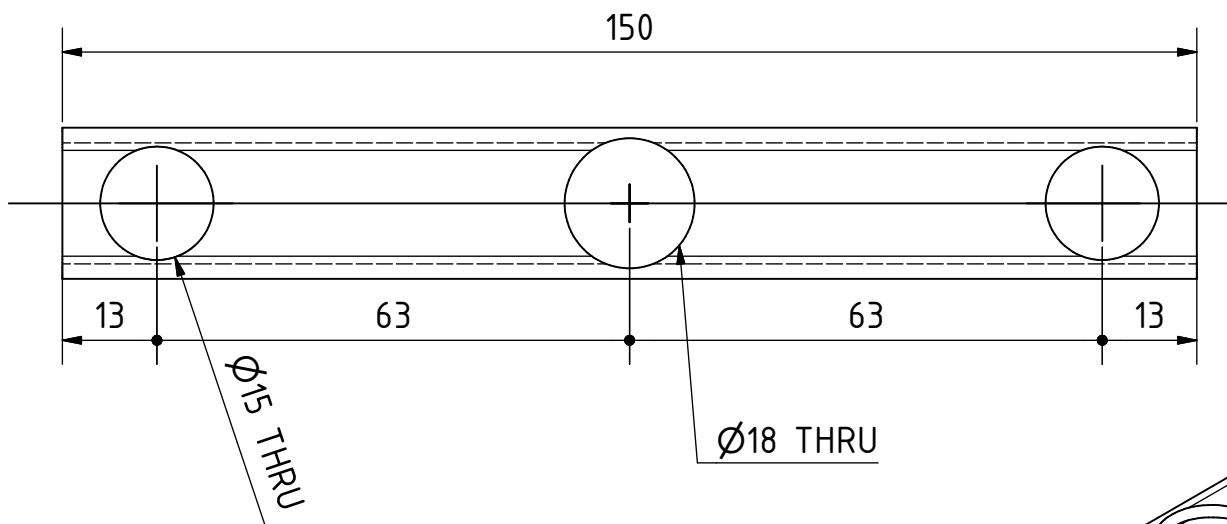


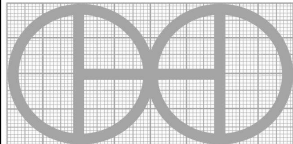
OHO e.V.

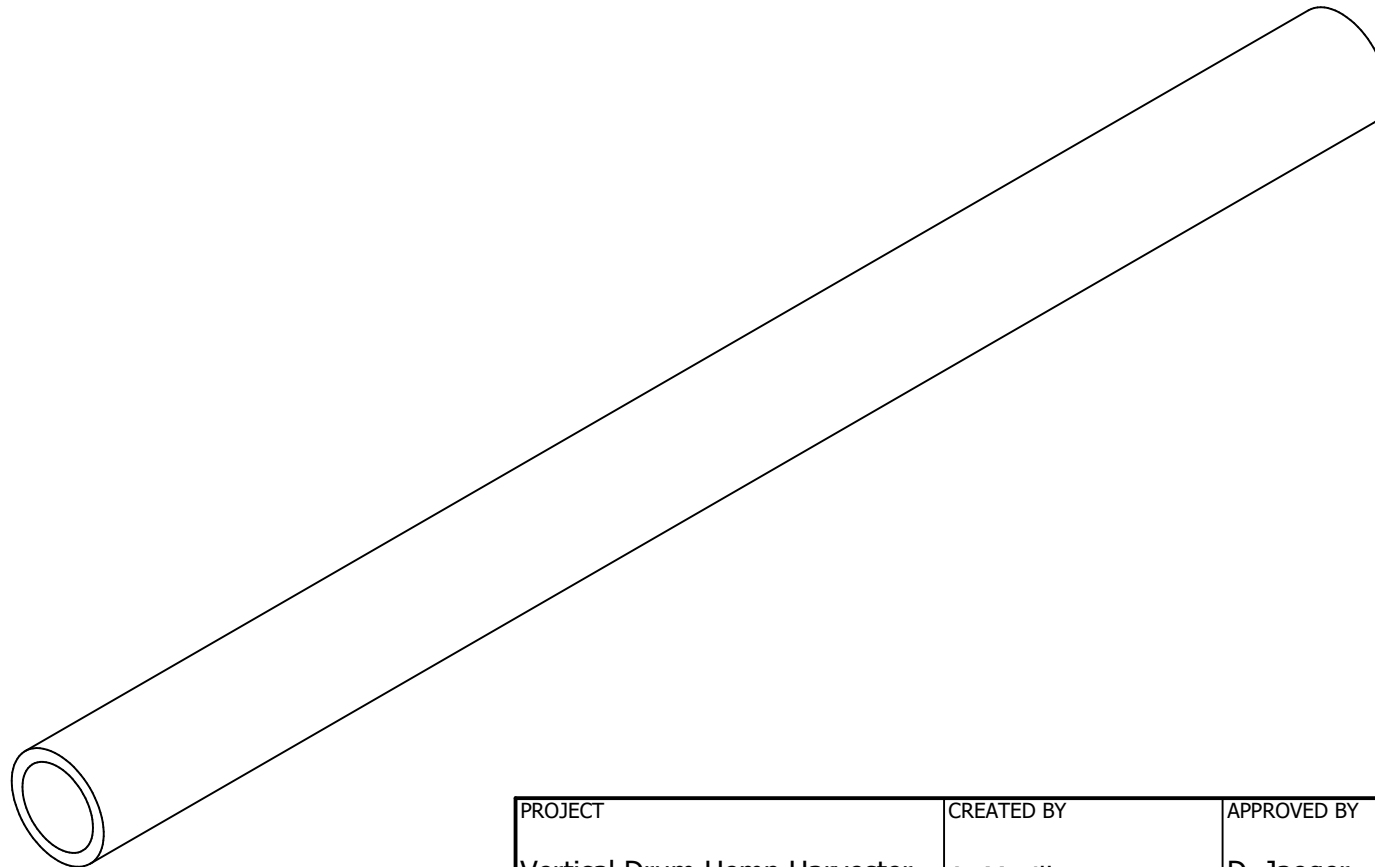
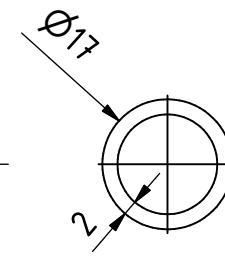
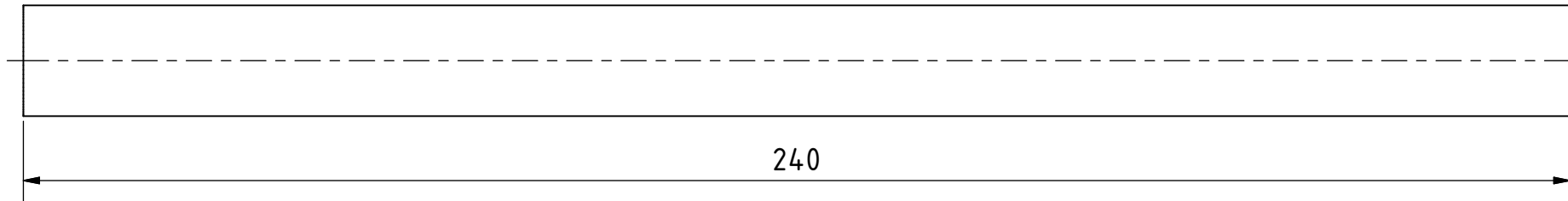


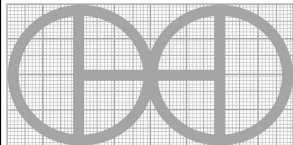
PROJECT	CREATED BY	APPROVED BY	DATE	VERSION	
Vertical Drum Hemp Harvester	A. Morillo	D. Jaeger	22-05-2024	0.06	
PART NAME	SPECIFICACIONES			CODE	
Tine fork				2.9.0	
DEVELOPED BY	REDESIGNED BY	FILENAME		QTY	
		2.9.ipn		48	
Hanfasser		LICENSE	DOC. TYPE	SCALE	SHEET
		CC-BY-SA 4.0	Assembly	1 : 2	126 /215

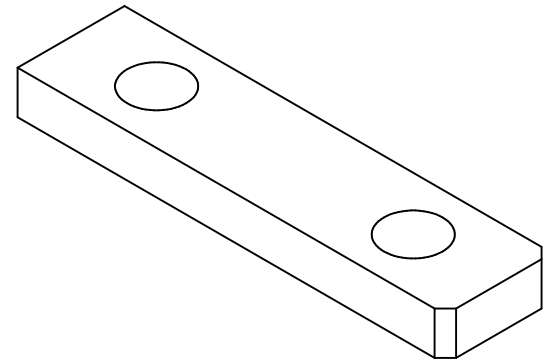
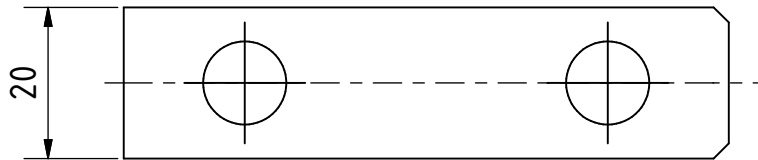
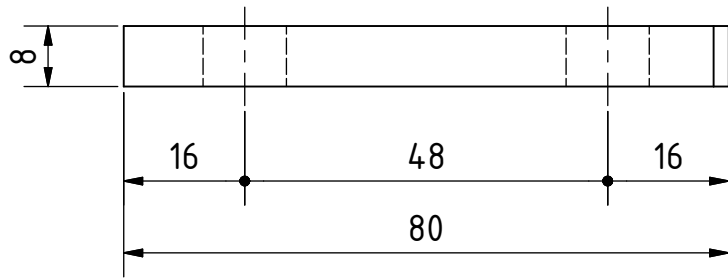
OHO e.V.

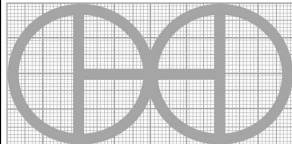


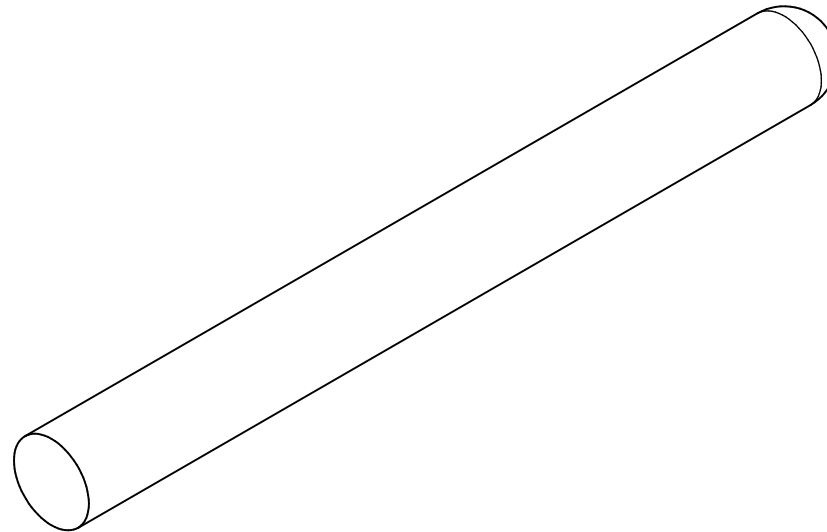
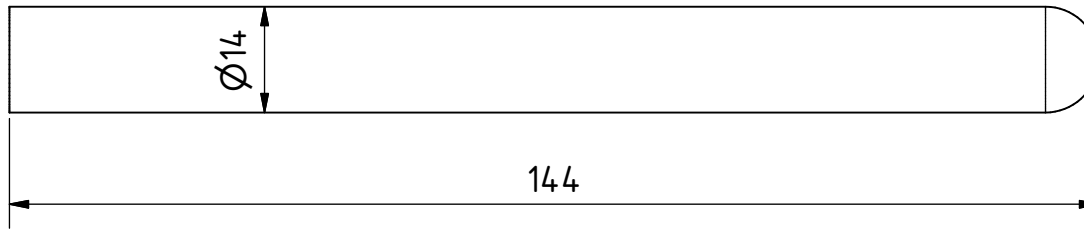
PROJECT	CREATED BY	APPROVED BY	DATE	VERSION
Vertical Drum Hemp Harvester	A. Morillo	D. Jaeger	22-05-2024	0.06
PART NAME	SPECIFICACIONES			CODE
Part 2.9.1	Square profile 20*2 mm			2.9.1
DEVELOPED BY	REDESIGNED BY	FILENAME		QTY
		2.9.1.ipt		48
Hanfasser		LICENSE	DOC. TYPE	SCALE
		CC-BY-SA 4.0	Part	1 : 1
				SHEET
				127 /215

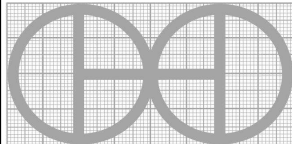


PROJECT	CREATED BY	APPROVED BY	DATE	VERSION	
Vertical Drum Hemp Harvester	A. Morillo	D. Jaeger	22-05-2024	0.06	
PART NAME	SPECIFICACIONES			CODE	
Part 2.9.2	Round tube D17*2 mm			2.9.2	
DEVELOPED BY	REDESIGNED BY	FILENAME		QTY	
Hanfasser		OHO e.V. 2.9.2.ipt		48	
		LICENSE	DOC. TYPE	SCALE	SHEET
		CC-BY-SA 4.0	Part	1 : 1	128 /215

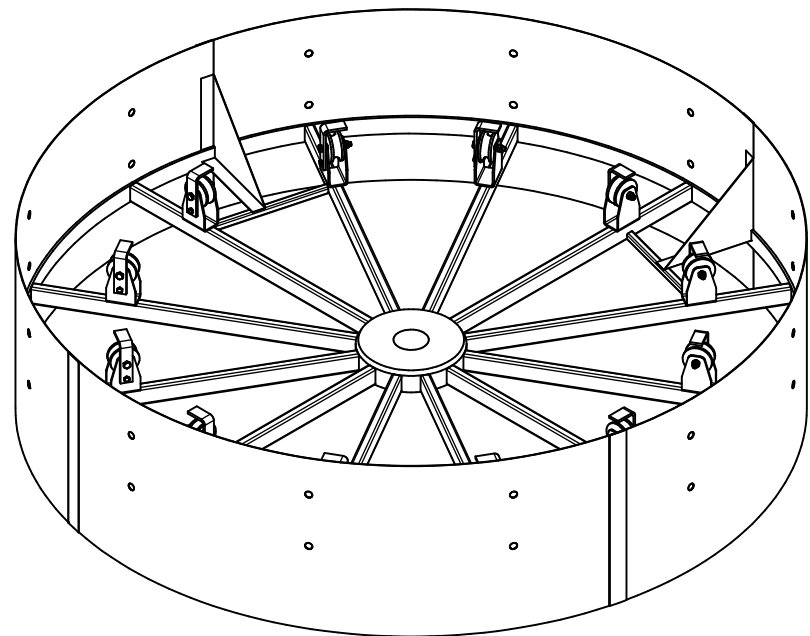
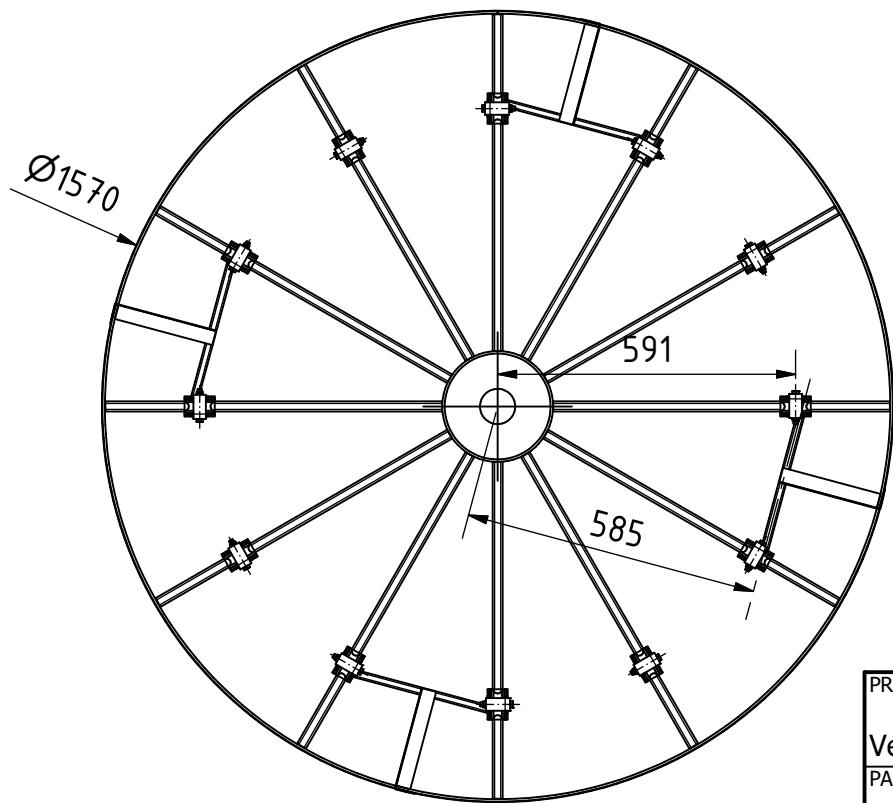
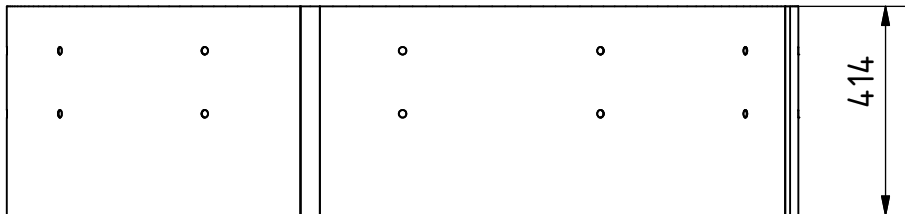


PROJECT	CREATED BY	APPROVED BY	DATE	VERSION	
Vertical Drum Hemp Harvester	A. Morillo	D. Jaeger	22-05-2024	0.06	
PART NAME	SPECIFICACIONES			CODE	
Part 2.9.3	Steel 235J2			2.9.3	
DEVELOPED BY	REDESIGNED BY	FILENAME		QTY	
Hanfasser		2.9.3.ipt		48	
		LICENSE	DOC. TYPE	SCALE	SHEET
		CC-BY-SA 4.0	Part	1 : 1	129 /215

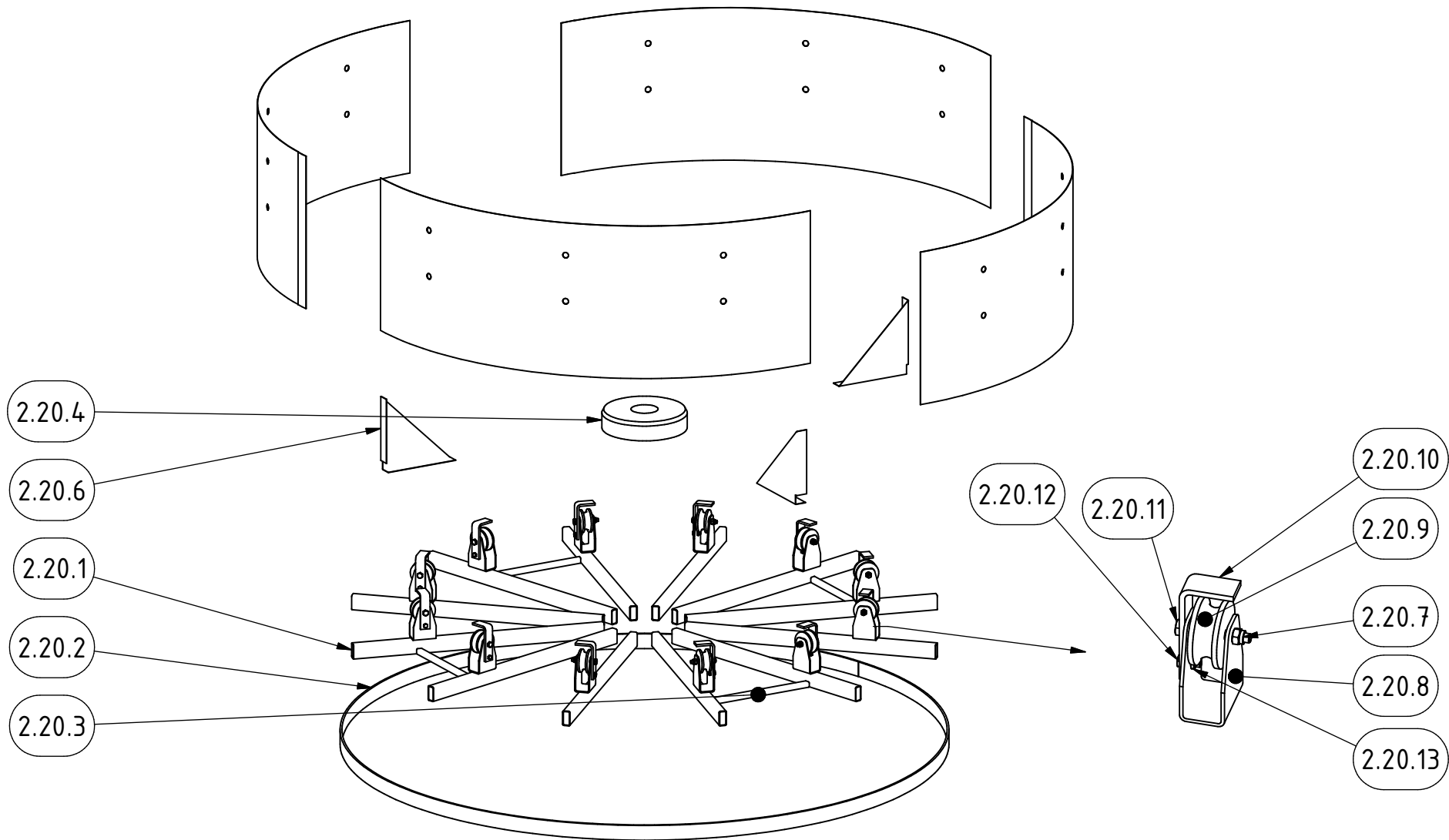


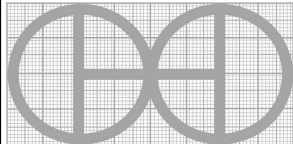
PROJECT	CREATED BY	APPROVED BY	DATE	VERSION	
Vertical Drum Hemp Harvester	A. Morillo	D. Jaeger	22-05-2024	0.06	
PART NAME	SPECIFICACIONES			CODE	
Tines	Round bar D 14mm			2.11.0	
DEVELOPED BY	REDESIGNED BY	FILENAME		QTY	
Hanfasser		2.11.ipt		96	
		LICENSE	DOC. TYPE	SCALE	SHEET
		CC-BY-SA 4.0	Part	1 : 1	130 /215

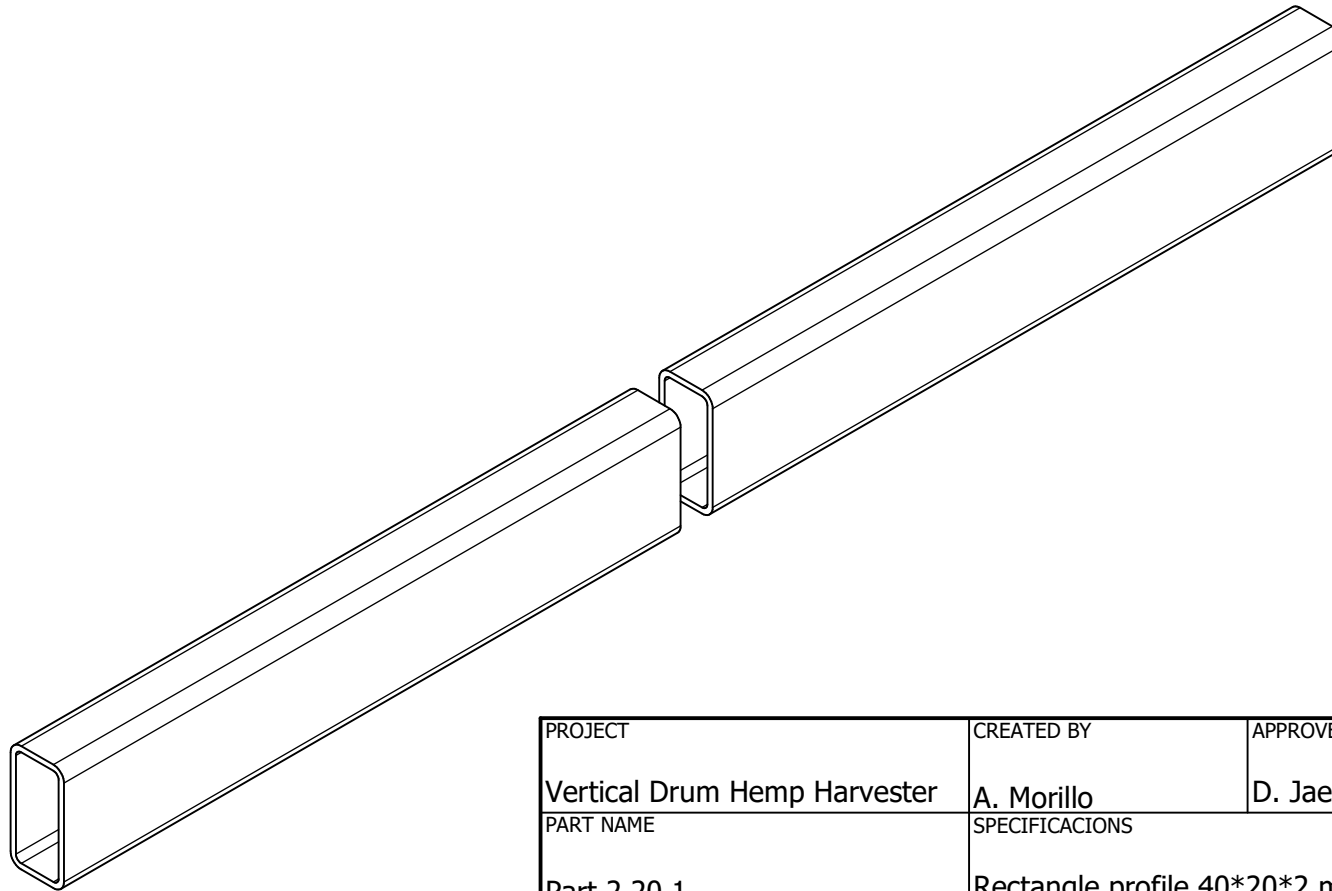
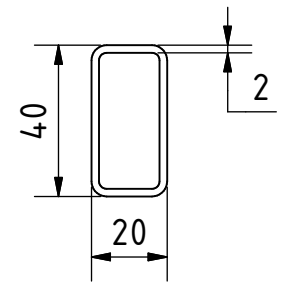
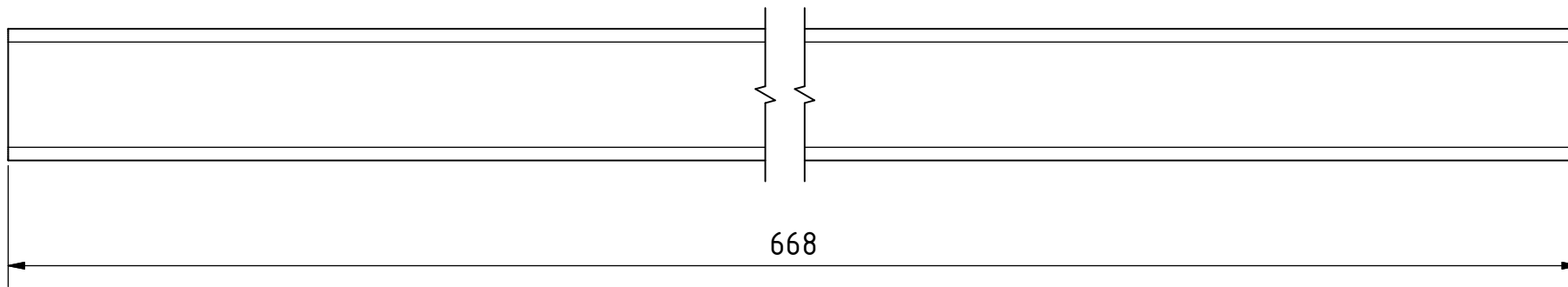
OHO e.V.

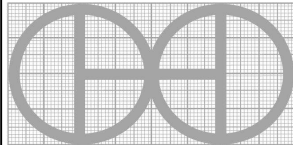


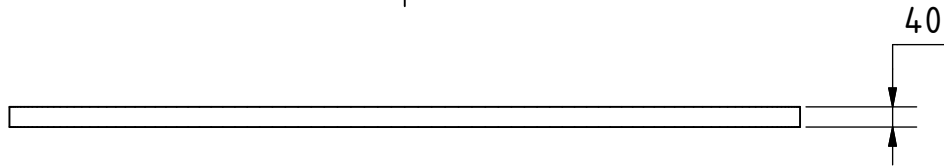
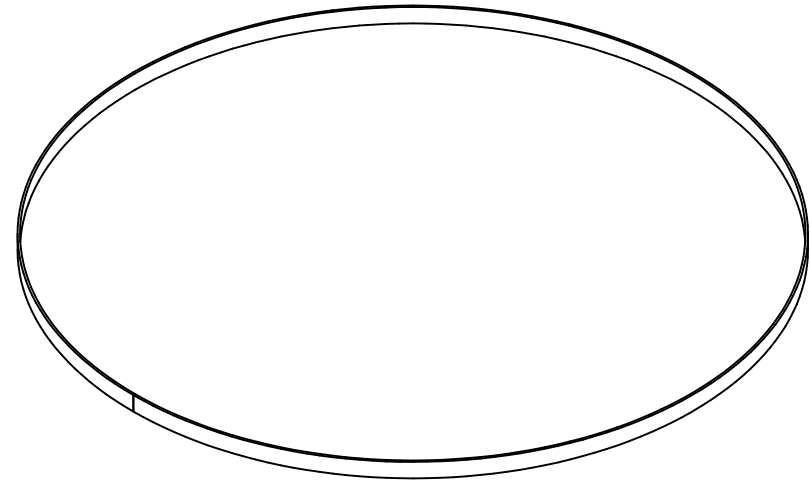
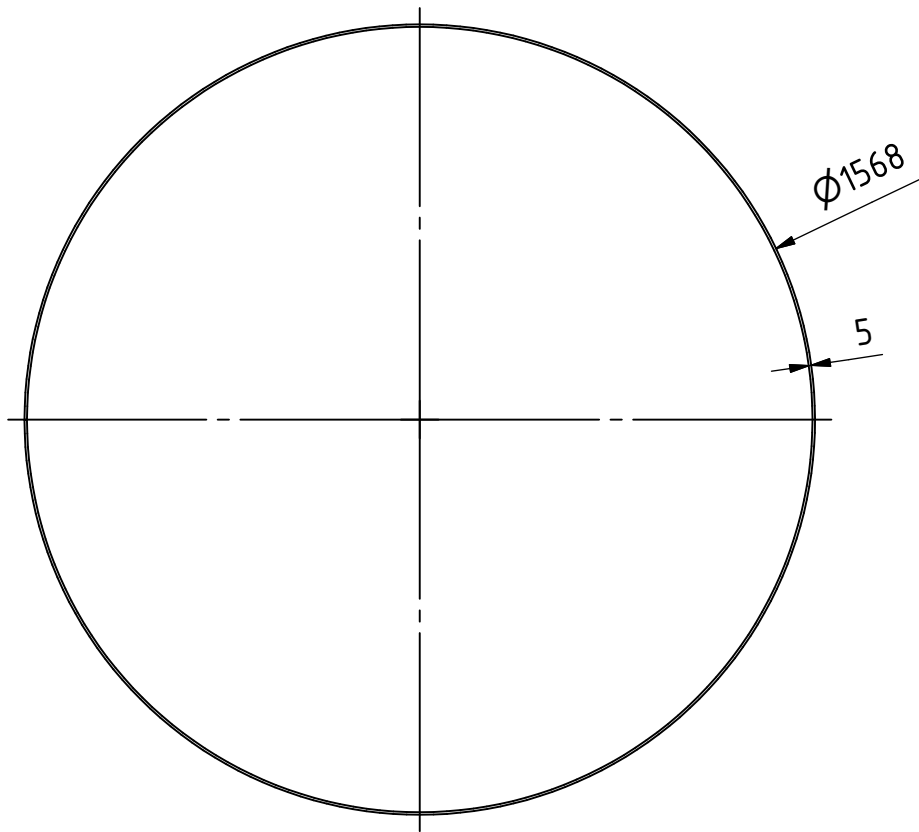
PROJECT	CREATED BY	APPROVED BY	DATE	VERSION
Vertical Drum Hemp Harvester	A. Morillo	D. Jaeger	22-05-2024	0.06
PART NAME	SPECIFICACIONES			CODE
Feed drum_center cpl				2.20.0
DEVELOPED BY	REDESIGNED BY	FILENAME	QTY	
		2.20.iam	2	
		LICENSE	DOC. TYPE	SCALE
Hanfasser		CC-BY-SA 4.0	Assembly	1 : 15
				SHEET
				131 /215

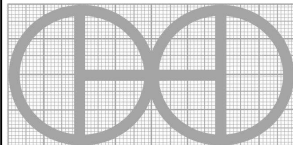


PROJECT		CREATED BY		APPROVED BY		DATE		VERSION	
Vertical Drum Hemp Harvester		A. Morillo		D. Jaeger		22-05-2024		0.06	
PART NAME				SPECIFICACIONES				CODE	
Feed drum_center cpl								2.20.0	
DEVELOPED BY			REDESIGNED BY			FILENAME			QTY
Hanfasser						2.20.ipn			2
LICENSE		DOC. TYPE		SCALE		SHEET			
CC-BY-SA 4.0		Assembly		1 : 15		132 /215			

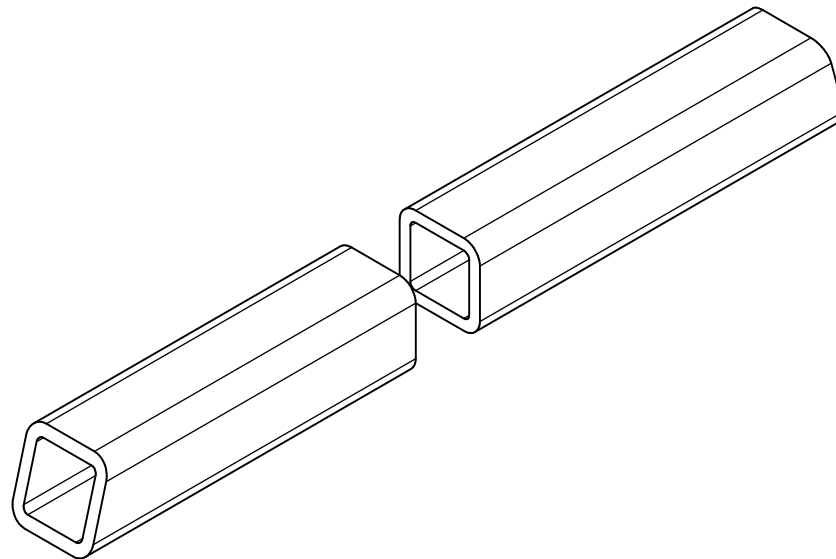
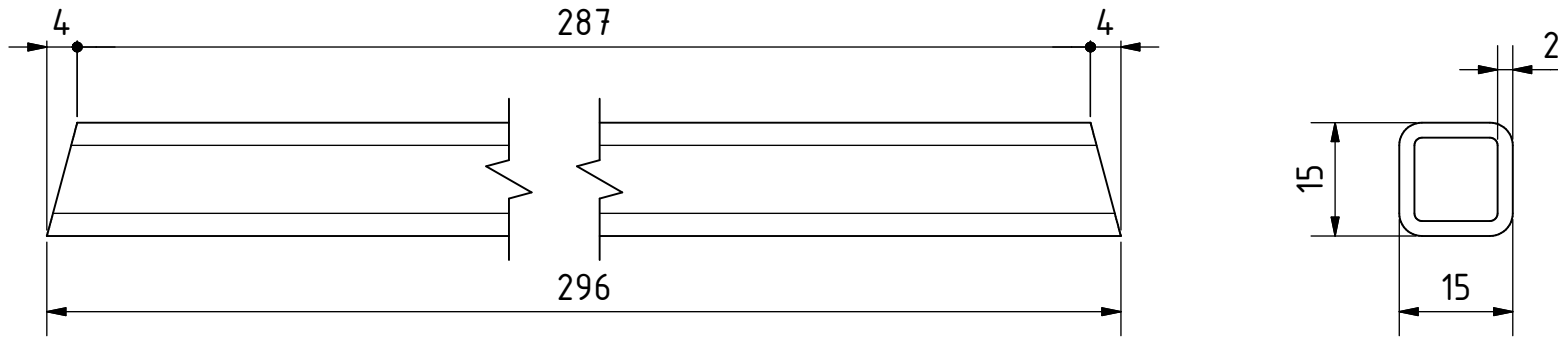


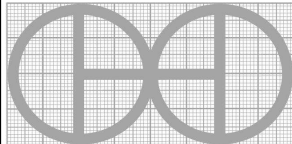
PROJECT	CREATED BY	APPROVED BY	DATE	VERSION	
Vertical Drum Hemp Harvester	A. Morillo	D. Jaeger	22-05-2024	0.06	
PART NAME	SPECIFICACIONES			CODE	
Part 2.20.1	Rectangle profile 40*20*2 mm			2.20.1	
DEVELOPED BY	REDESIGNED BY	FILENAME		QTY	
Hanfasser		OHO e.V. 2.20.1.ipt		24	
		LICENSE	DOC. TYPE	SCALE	SHEET
		CC-BY-SA 4.0	Part	1 : 2	133 /215

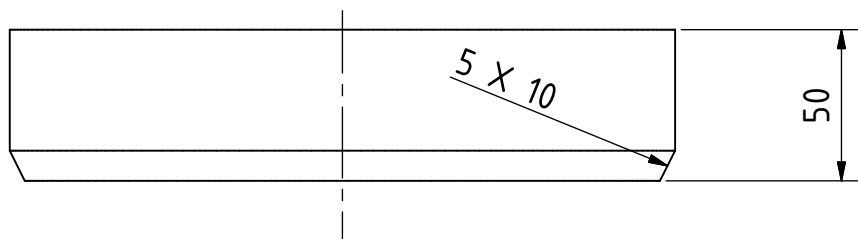
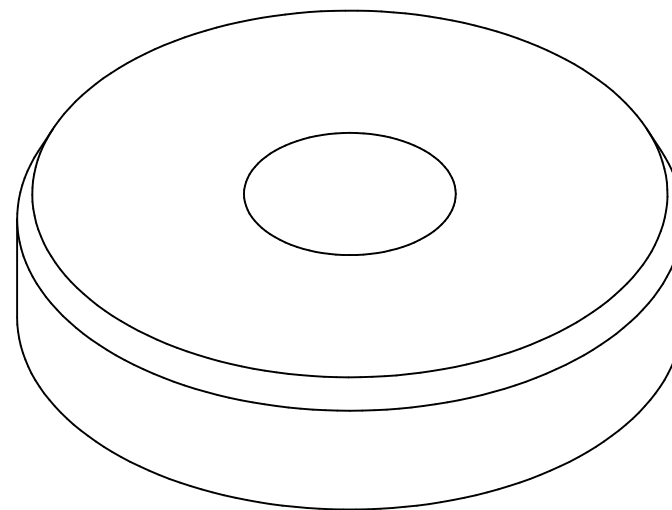
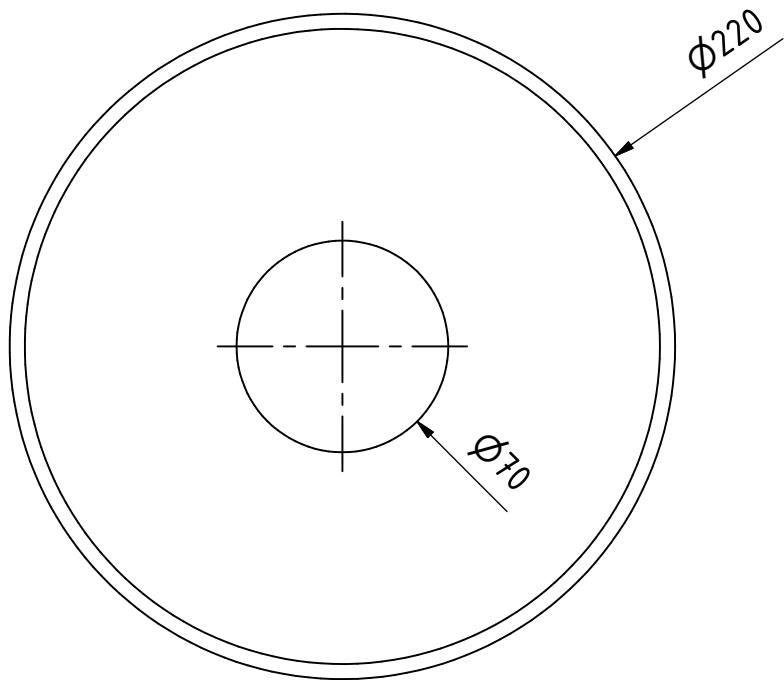


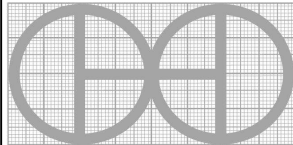
PROJECT	CREATED BY	APPROVED BY	DATE	VERSION	
Vertical Drum Hemp Harvester	A. Morillo	D. Jaeger	22-05-2024	0.06	
PART NAME	SPECIFICACIONES			CODE	
Part 2.20.2	Flat bar 40*5 mm			2.20.2	
DEVELOPED BY	REDESIGNED BY	FILENAME		QTY	
Hanfasser		2.20.2.ipt		2	
		LICENSE	DOC. TYPE	SCALE	SHEET
		CC-BY-SA 4.0	Part	1 : 15	134 /215

OHO e.V.

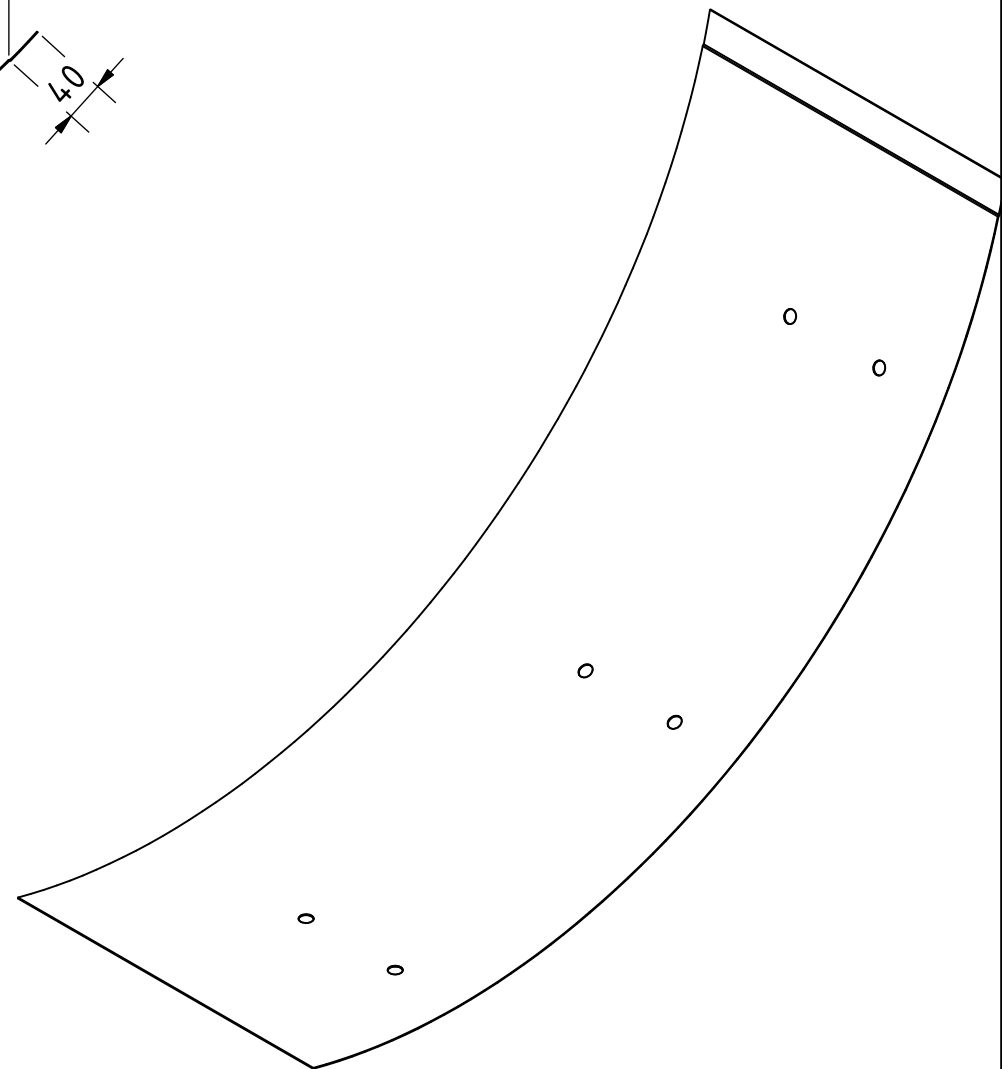
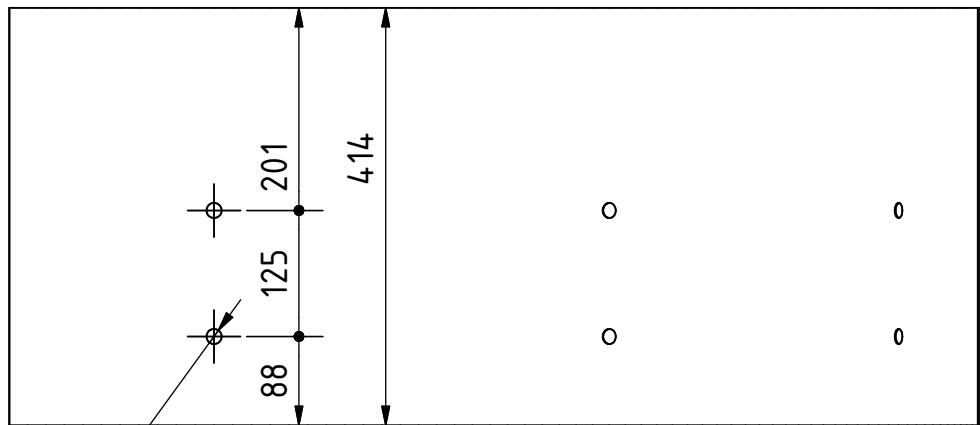
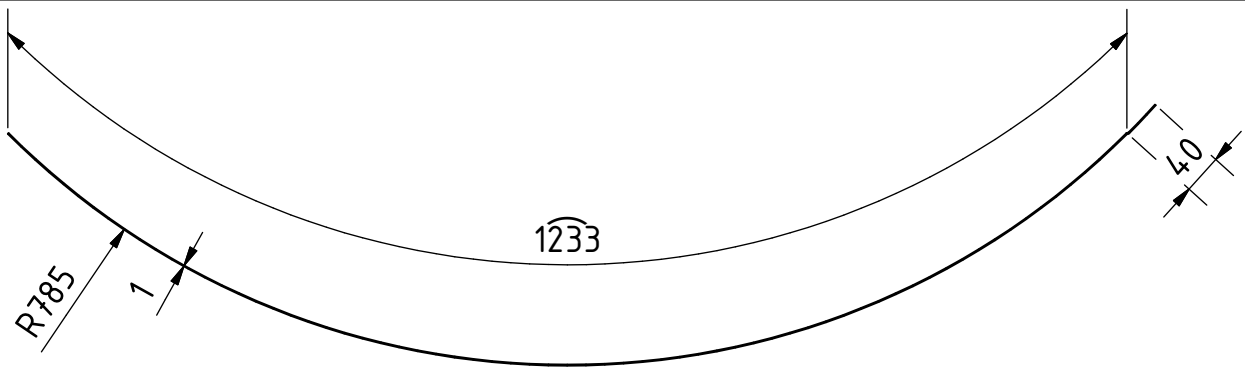


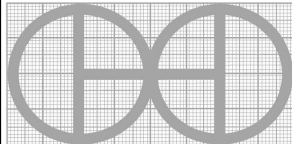
PROJECT	CREATED BY	APPROVED BY	DATE	VERSION	
Vertical Drum Hemp Harvester	A. Morillo	D. Jaeger	22-05-2024	0.06	
PART NAME	SPECIFICACIONES			CODE	
Part 2.20.3	Square profile 15*2 mm			2.20.3	
DEVELOPED BY	REDESIGNED BY	FILENAME		QTY	
Hanfasser		2.20.3.ipt		8	
		LICENSE	DOC. TYPE	SCALE	SHEET
		CC-BY-SA 4.0	Part	1 : 1	135 /215

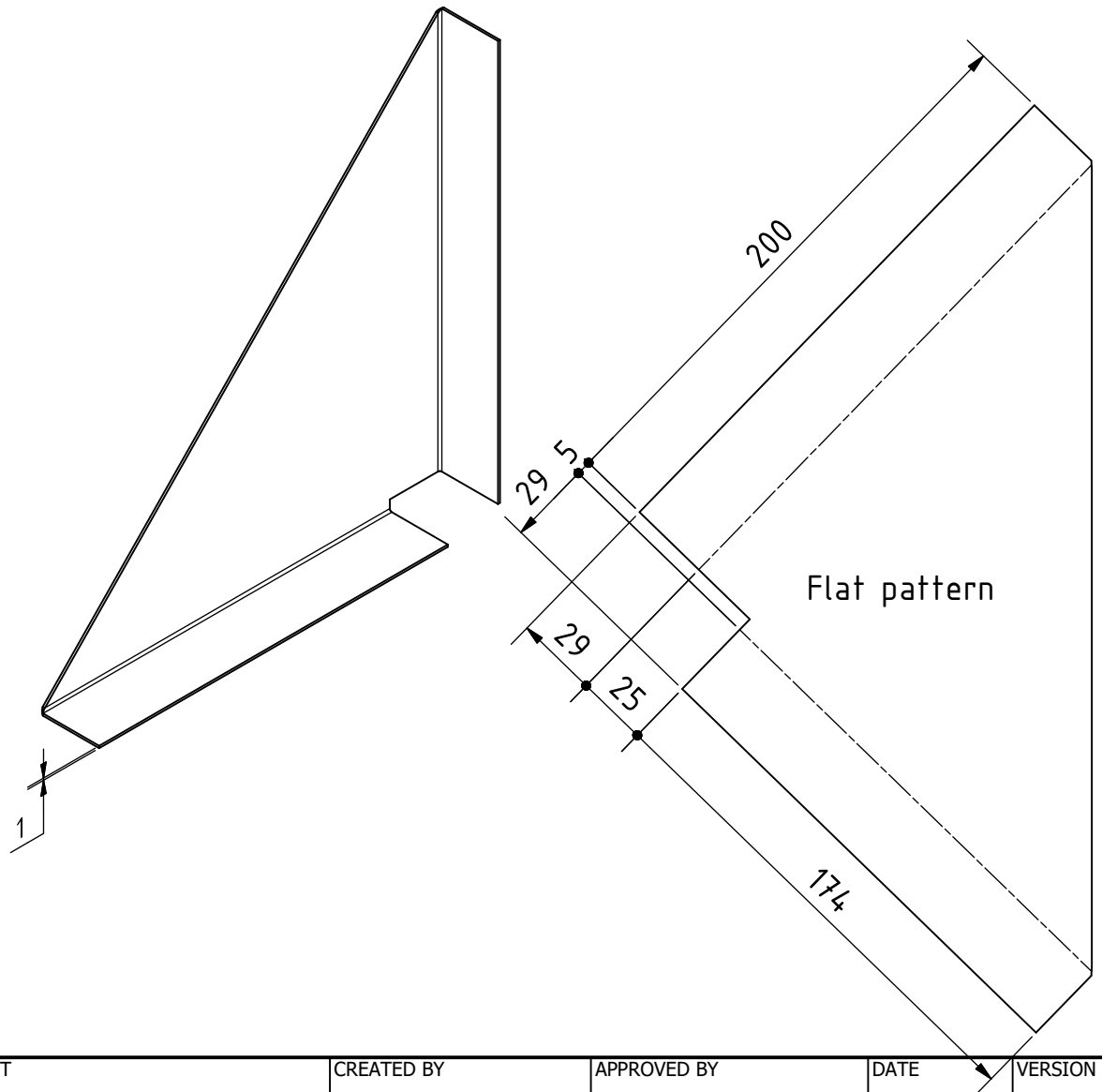
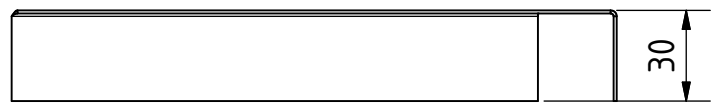
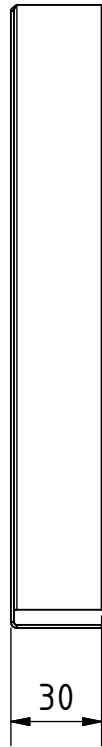
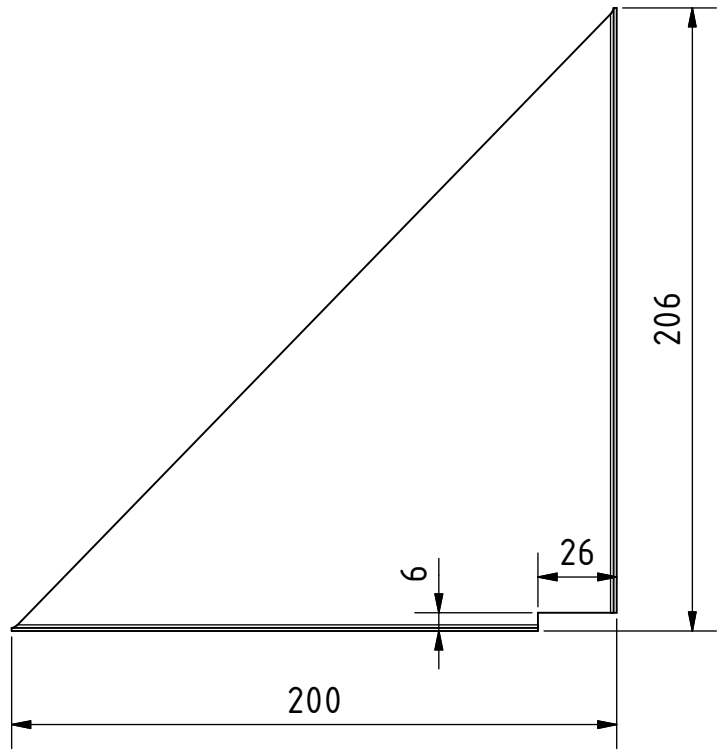


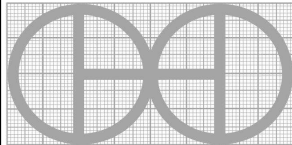
PROJECT	CREATED BY	APPROVED BY	DATE	VERSION	
Vertical Drum Hemp Harvester	A. Morillo	D. Jaeger	22-05-2024	0.06	
PART NAME	SPECIFICACIONES			CODE	
Part 2.20.4	Cast iron (*)			2.20.4	
DEVELOPED BY	REDESIGNED BY	FILENAME		QTY	
Hanfasser		2.20.4.ipt		2	
		LICENSE	DOC. TYPE	SCALE	SHEET
		CC-BY-SA 4.0	Part	2 : 5	136 /215

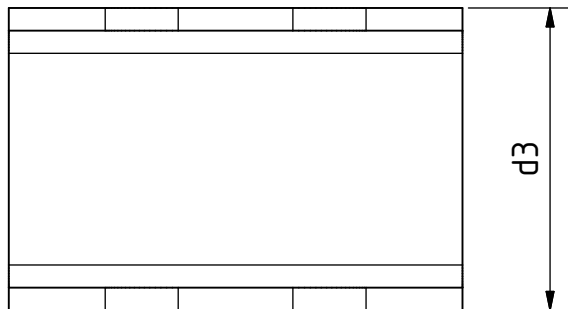
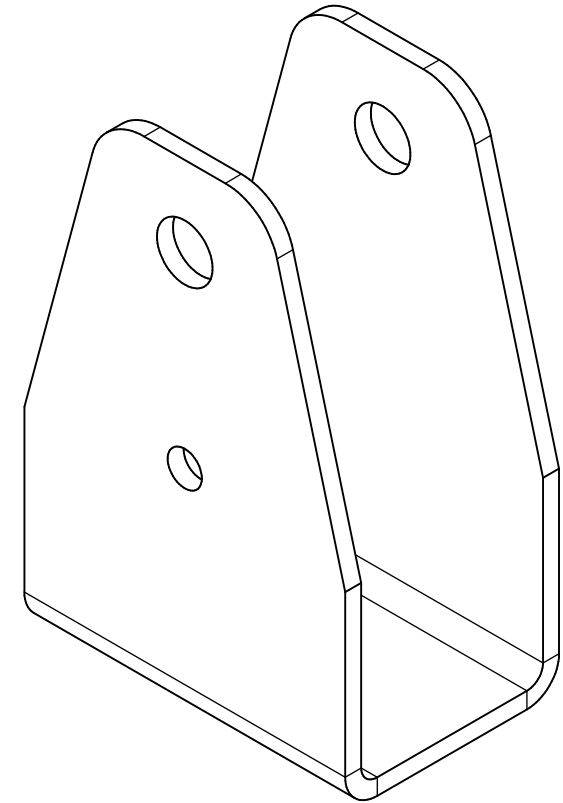
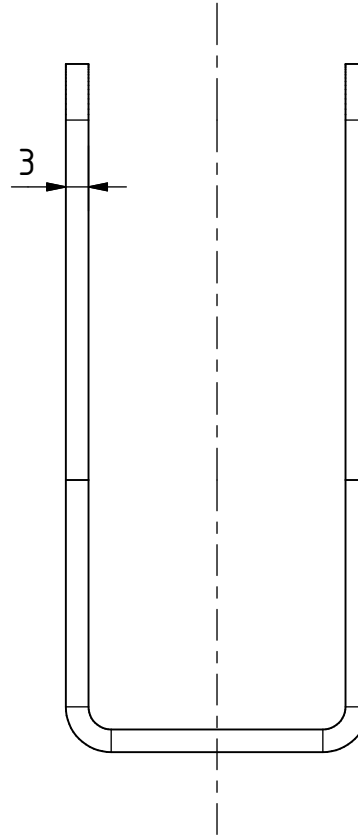
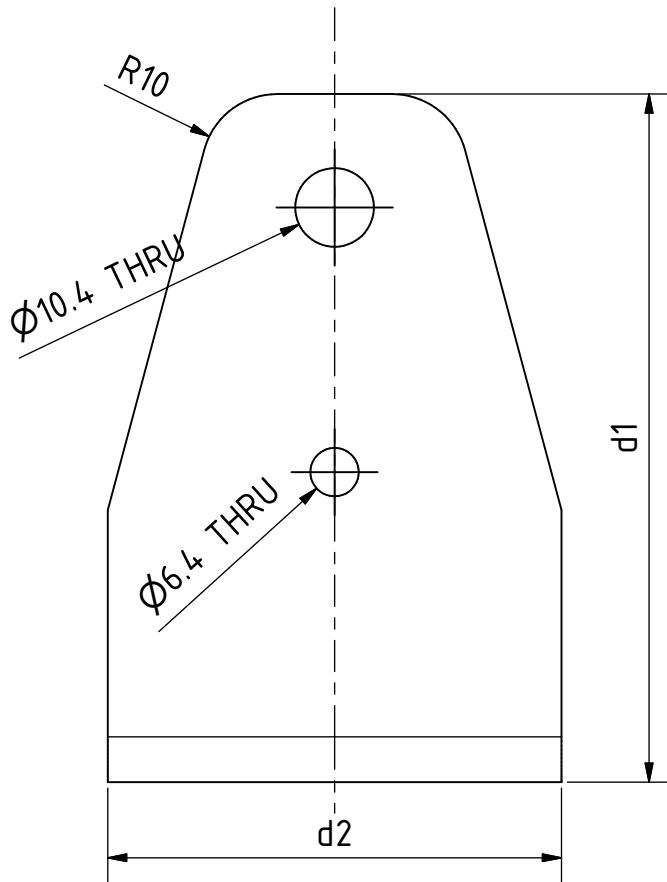
OHO e.V.



PROJECT	CREATED BY	APPROVED BY	DATE	VERSION
Vertical Drum Hemp Harvester	A. Morillo	D. Jaeger	22-05-2024	0.06
PART NAME	SPECIFICACIONES			CODE
Part 2.20.5	Sheet 1mm			2.20.5
DEVELOPED BY	REDESIGNED BY	FILENAME		QTY
		2.20.5.ipt		8
		LICENSE	DOC. TYPE	SCALE
Hanfasser		CC-BY-SA 4.0	Part	2 : 15
				137 /215

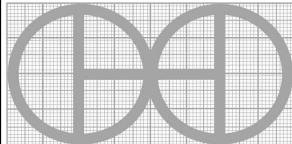


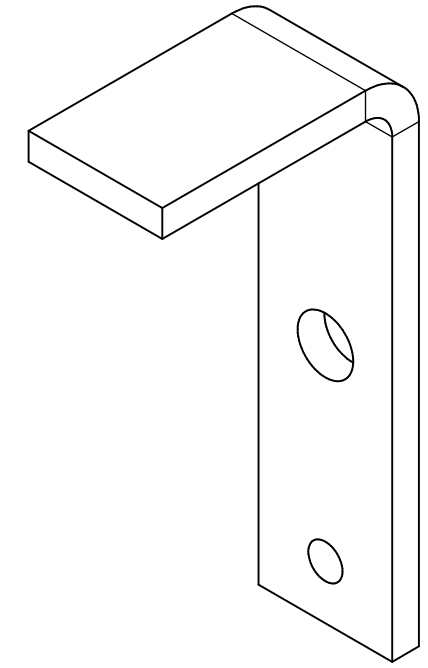
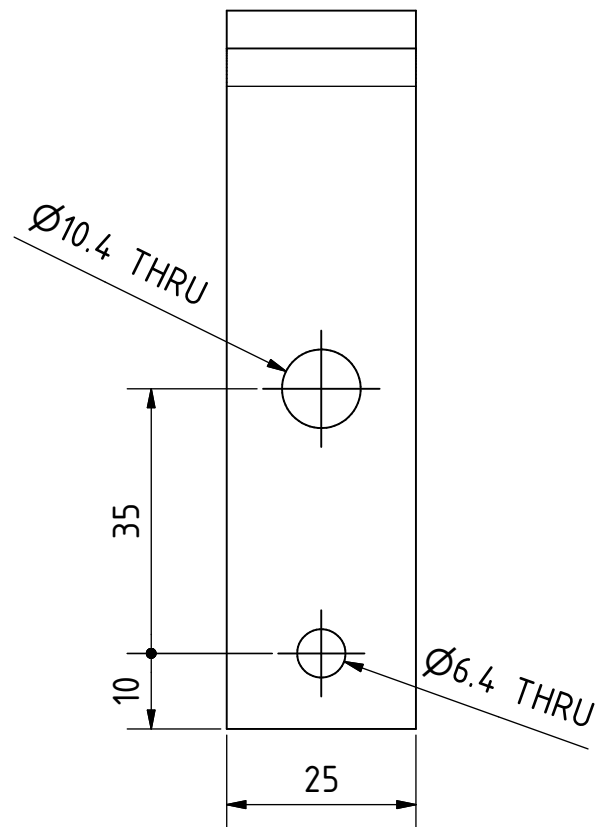
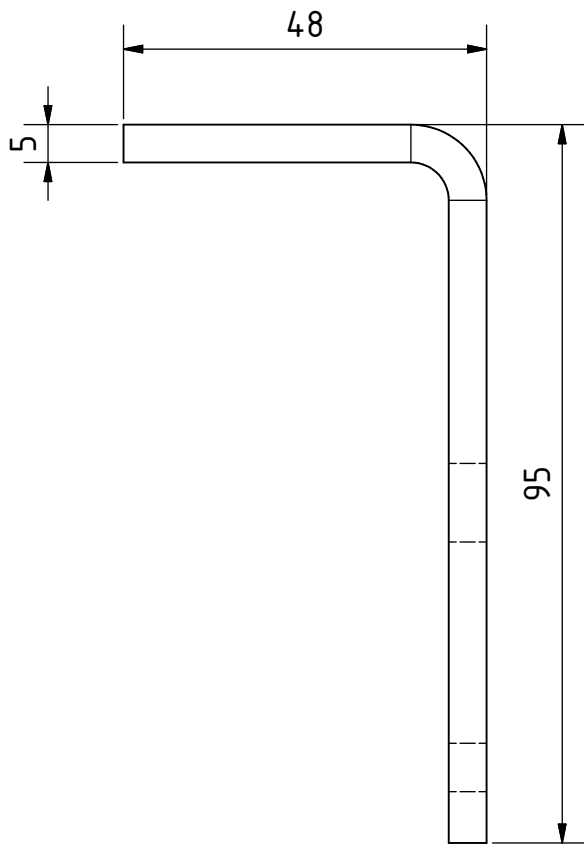
PROJECT	CREATED BY	APPROVED BY	DATE	VERSION
Vertical Drum Hemp Harvester	A. Morillo	D. Jaeger	22-05-2024	0.06
PART NAME	SPECIFICACIONES			CODE
Part 2.20.6	Sheet 1mm			2.20.6
DEVELOPED BY	REDESIGNED BY	FILENAME		QTY
		2.20.6.ipt		8
		LICENSE	DOC. TYPE	SCALE
Hanfasser		CC-BY-SA 4.0	Part	2 : 5
				138 /215

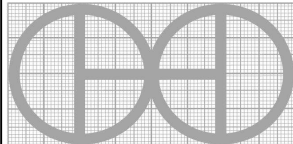


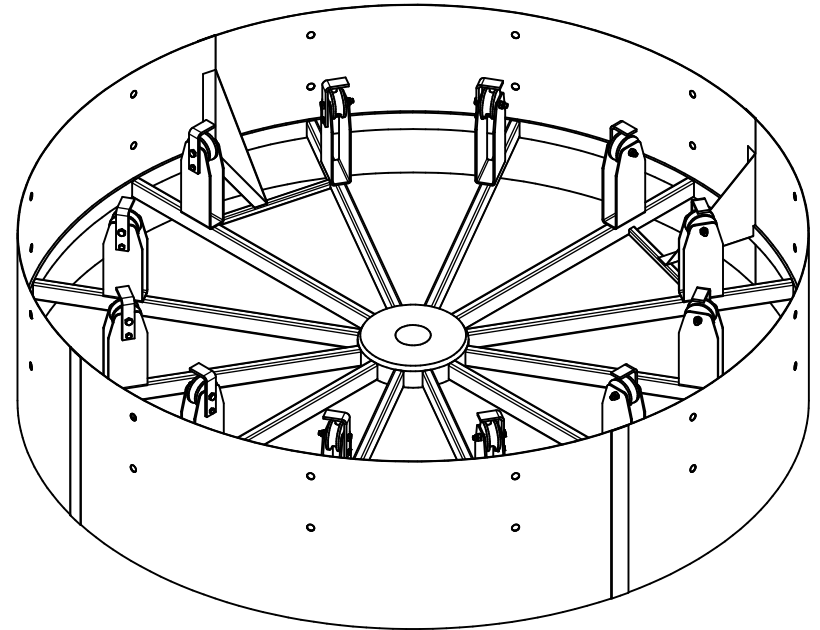
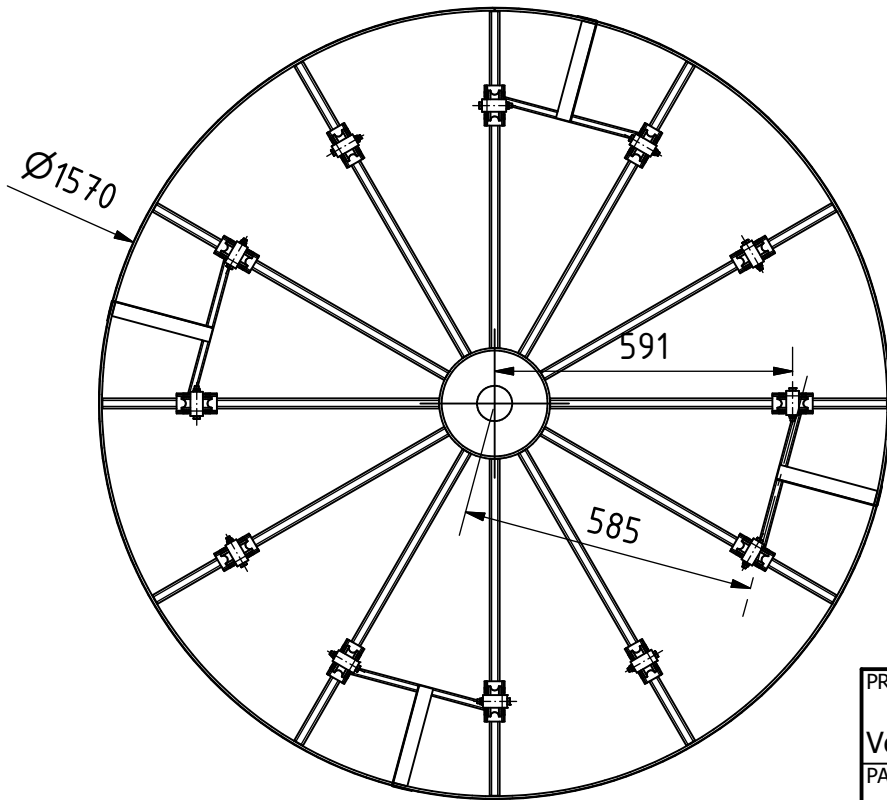
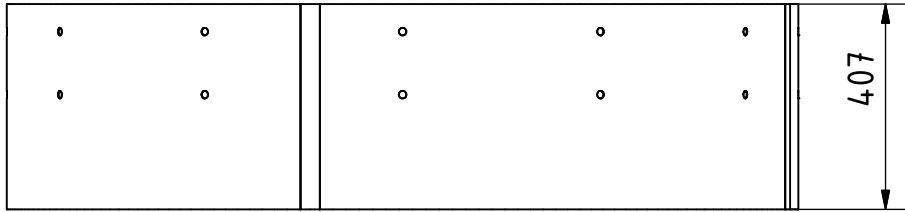
Size table			
Pos	d1	d2	d3
2.20.8_A (right)	91 mm	60 mm	40 mm
2.20.8_B (left)	97 mm	50mm	40 mm

This item was adjusted to avoid interference problems

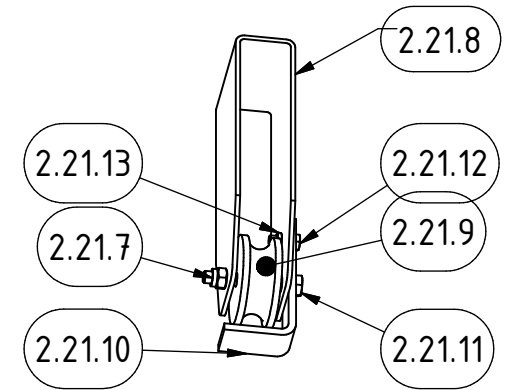
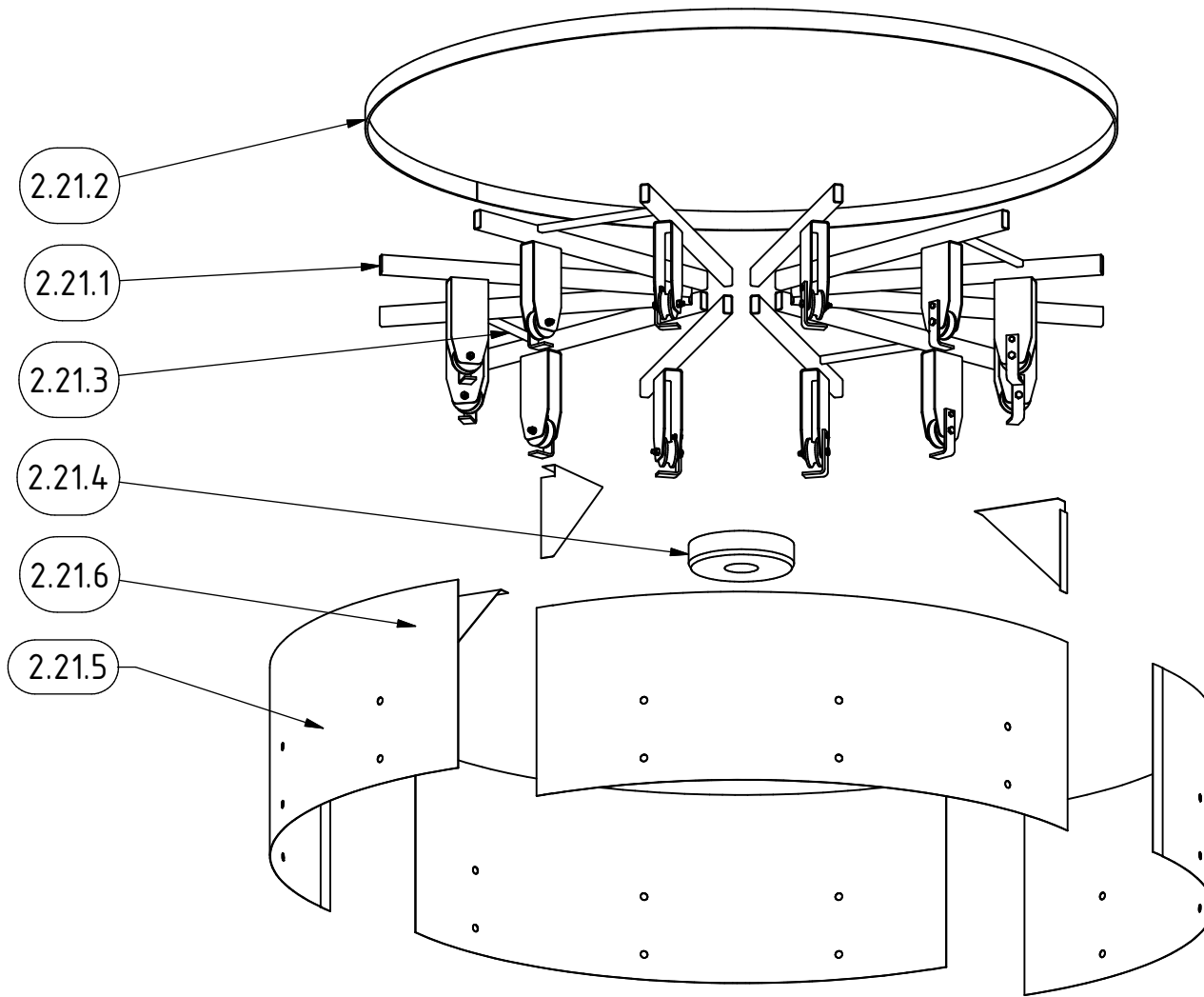
PROJECT	CREATED BY	APPROVED BY	DATE	VERSION
Vertical Drum Hemp Harvester	A. Morillo	D. Jaeger	22-05-2024	0.06
PART NAME	SPECIFICACIONES			CODE
Part 2.20.8	Steel 235J2			2.20.8
DEVELOPED BY	REDESIGNED BY	FILENAME		QTY
		2.20.8.ipt		24
Hanfasser		LICENSE	DOC. TYPE	SCALE
		CC-BY-SA 4.0	Part	1 : 1
				139 /215

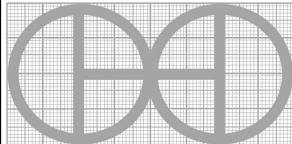


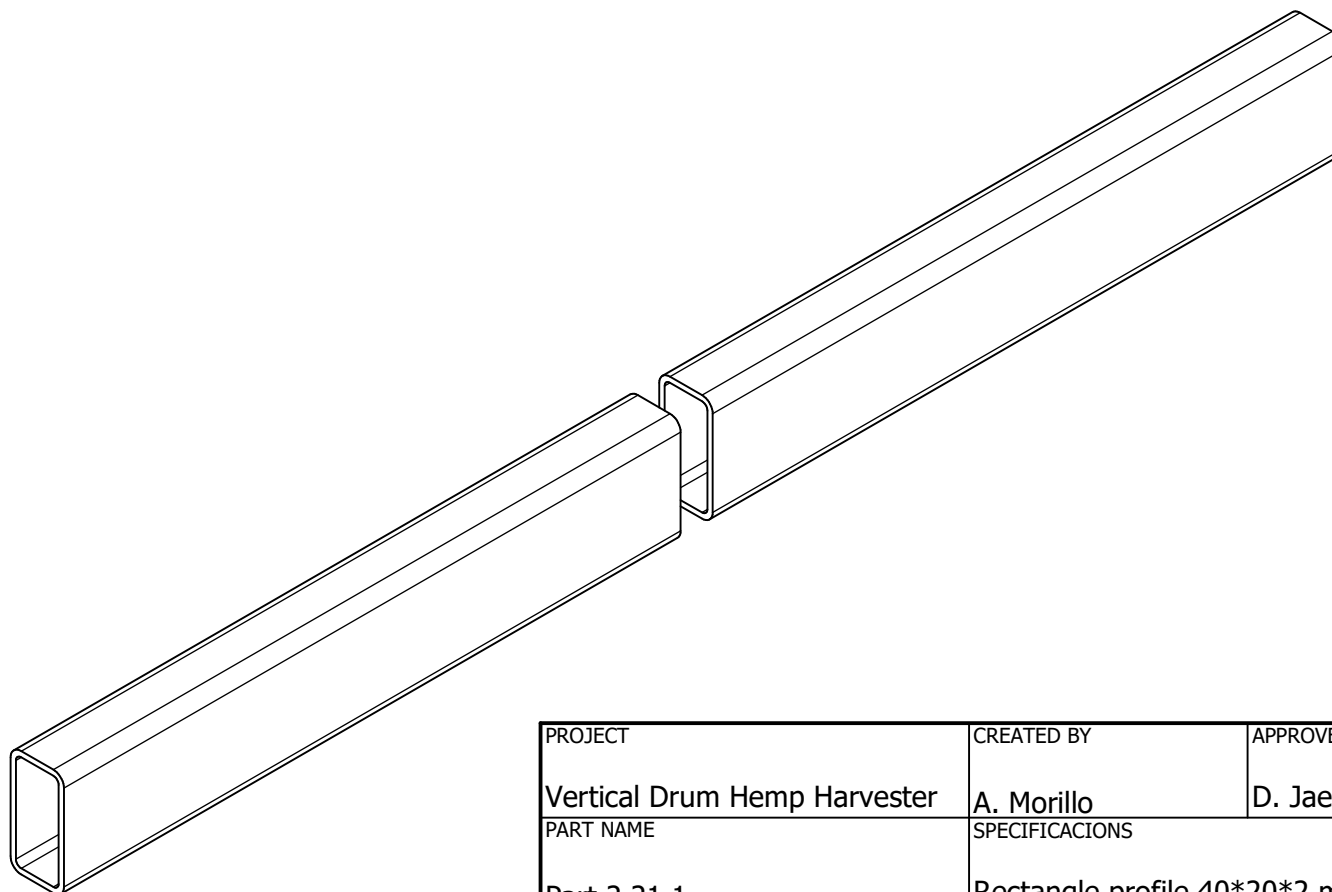
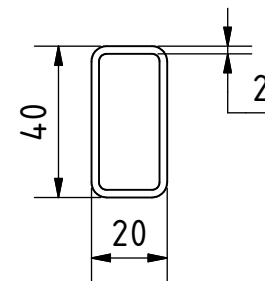
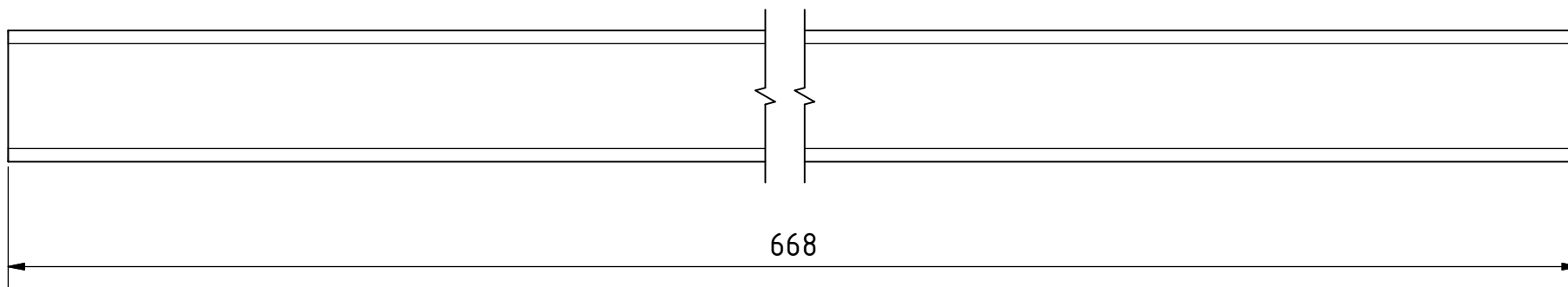
PROJECT	CREATED BY	APPROVED BY	DATE	VERSION
Vertical Drum Hemp Harvester	A. Morillo	D. Jaeger	22-05-2024	0.06
PART NAME	SPECIFICACIONES			CODE
Part 2.20.10	Flat bar 25*5 mm			2.20.10
DEVELOPED BY	REDESIGNED BY	FILENAME		QTY
		2.20.10.ipt		24
Hanfasser		LICENSE	DOC. TYPE	SCALE
		CC-BY-SA 4.0	Part	1 : 1
				SHEET
				140 /215

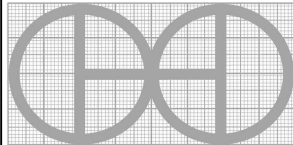


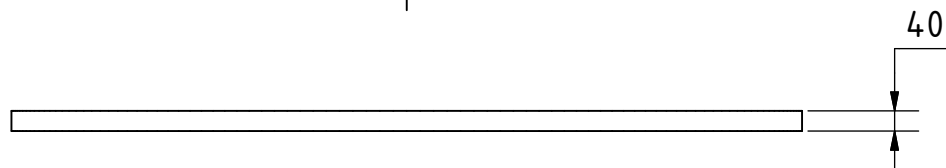
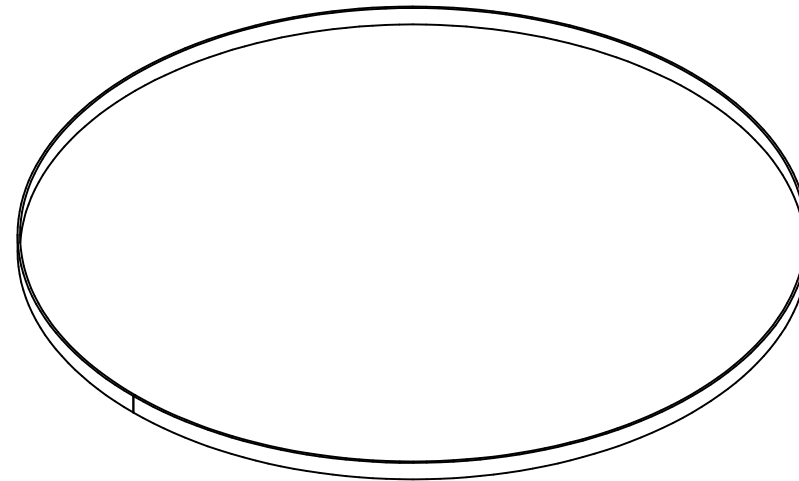
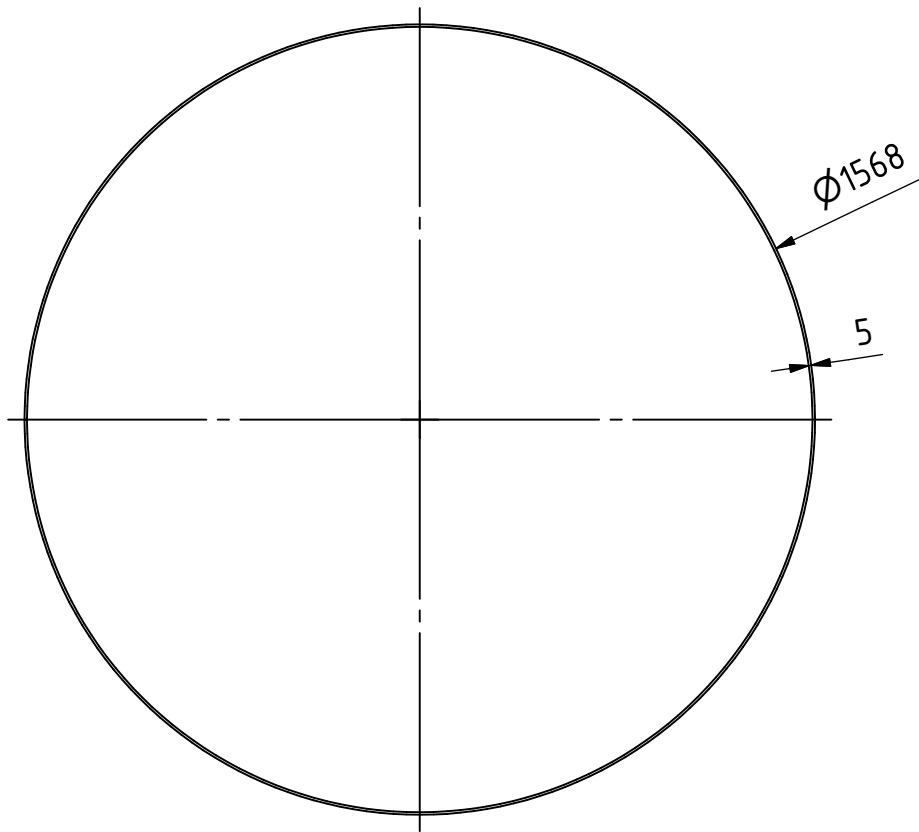
PROJECT	CREATED BY	APPROVED BY	DATE	VERSION
Vertical Drum Hemp Harvester	A. Morillo	D. Jaeger	22-05-2024	0.06
PART NAME	SPECIFICACIONES			CODE
Feed drum_top cpl				2.21.0
DEVELOPED BY	REDESIGNED BY	FILENAME		QTY
		2.21.iam		2
		LICENSE	DOC. TYPE	SCALE
		CC-BY-SA 4.0	Assembly	1 : 15
Handfasser				141 /215

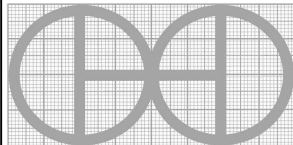


PROJECT	CREATED BY	APPROVED BY	DATE	VERSION
Vertical Drum Hemp Harvester	A. Morillo	D. Jaeger	22-05-2024	0.06
PART NAME	SPECIFICACIONES			CODE
Feed drum_top cpl				2.21.0
DEVELOPED BY	REDESIGNED BY	FILENAME	QTY	
		2.21.ipn	2	
Hanfasser		LICENSE	DOC. TYPE	SCALE SHEET
		CC-BY-SA 4.0	Assembly	1 : 15 142 /215

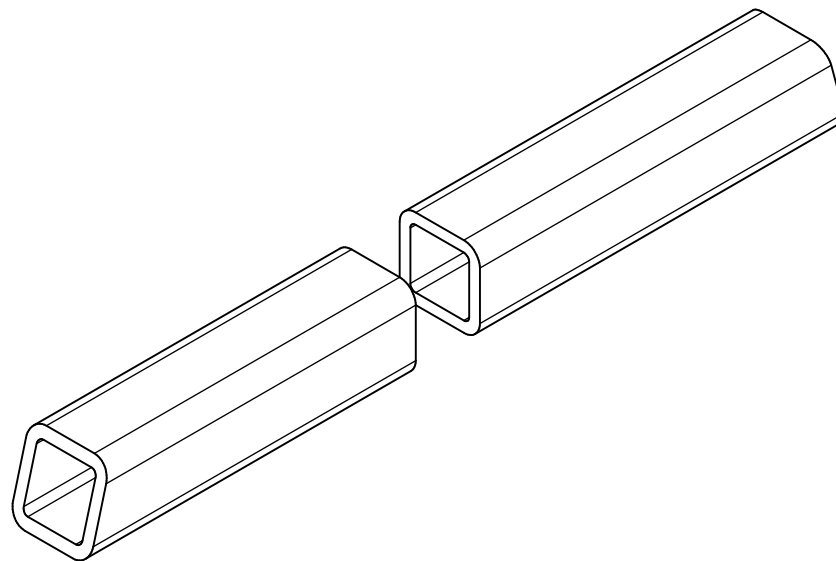
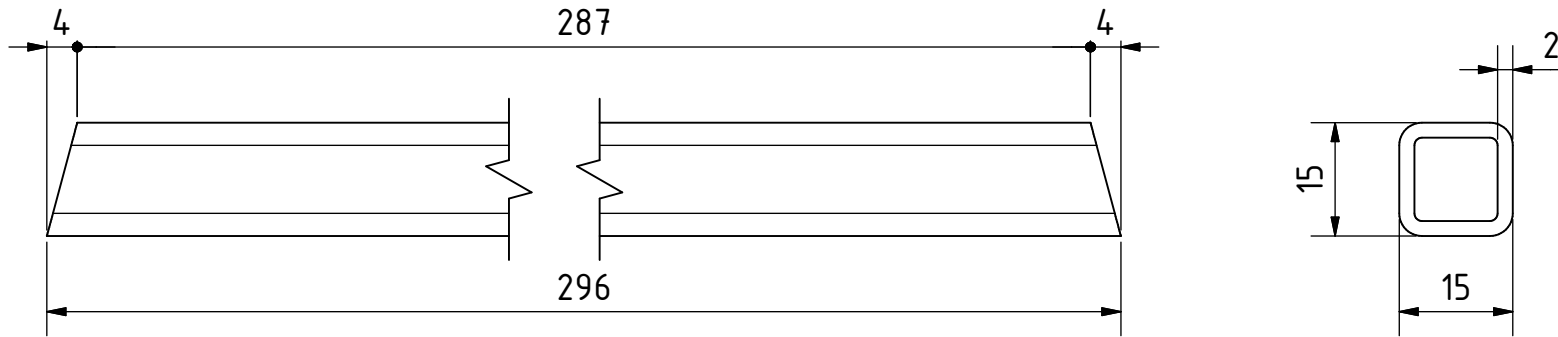


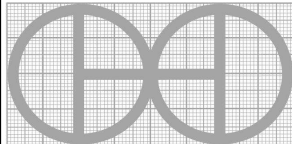
PROJECT	CREATED BY	APPROVED BY	DATE	VERSION	
Vertical Drum Hemp Harvester	A. Morillo	D. Jaeger	22-05-2024	0.06	
PART NAME	SPECIFICACIONES			CODE	
Part 2.21.1	Rectangle profile 40*20*2 mm			2.21.1	
DEVELOPED BY	REDESIGNED BY	FILENAME		QTY	
Hanfasser		OHO e.V. 2.21.1.ipt		24	
		LICENSE	DOC. TYPE	SCALE	SHEET
		CC-BY-SA 4.0	Part	1 : 2	143 /215

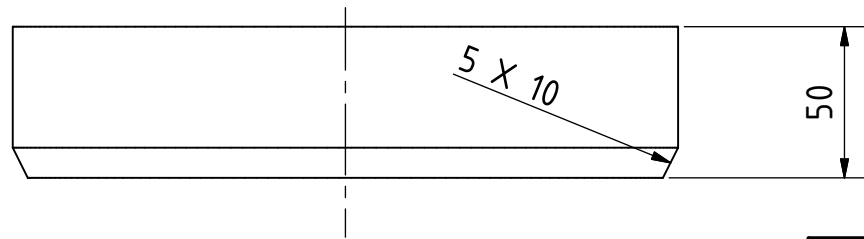
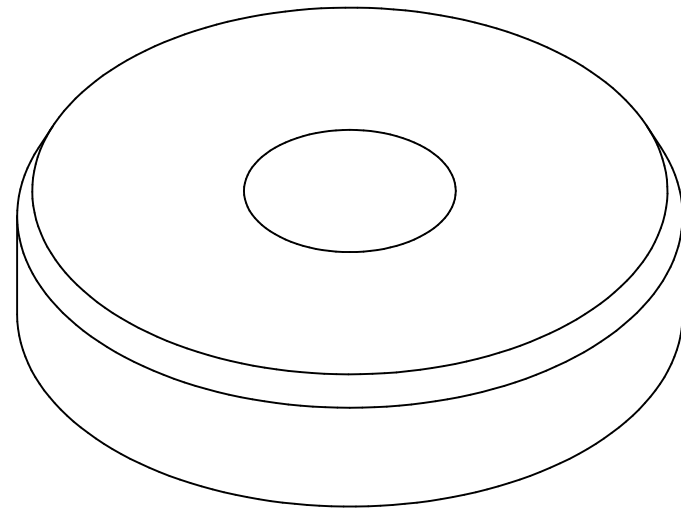
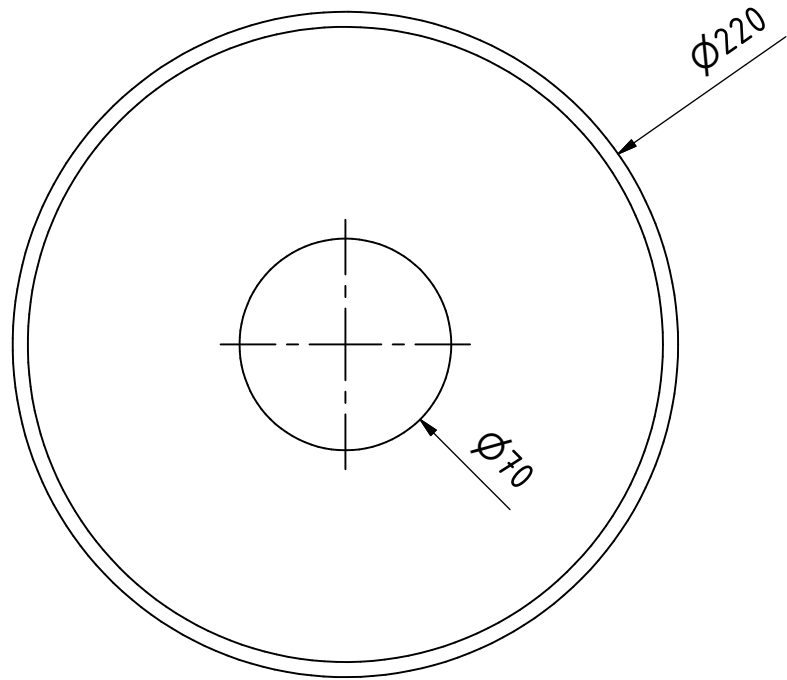


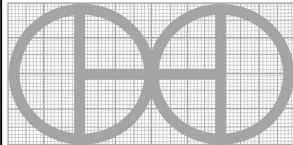
PROJECT	CREATED BY	APPROVED BY	DATE	VERSION	
Vertical Drum Hemp Harvester	A. Morillo	D. Jaeger	22-05-2024	0.06	
PART NAME	SPECIFICACIONES			CODE	
Part 2.21.2	Flat bar 40*5 mm			2.21.2	
DEVELOPED BY	REDESIGNED BY	FILENAME		QTY	
Hanfasser		2.21.2.ipt		2	
		LICENSE	DOC. TYPE	SCALE	SHEET
		CC-BY-SA 4.0	Part	1 : 15	144 /215

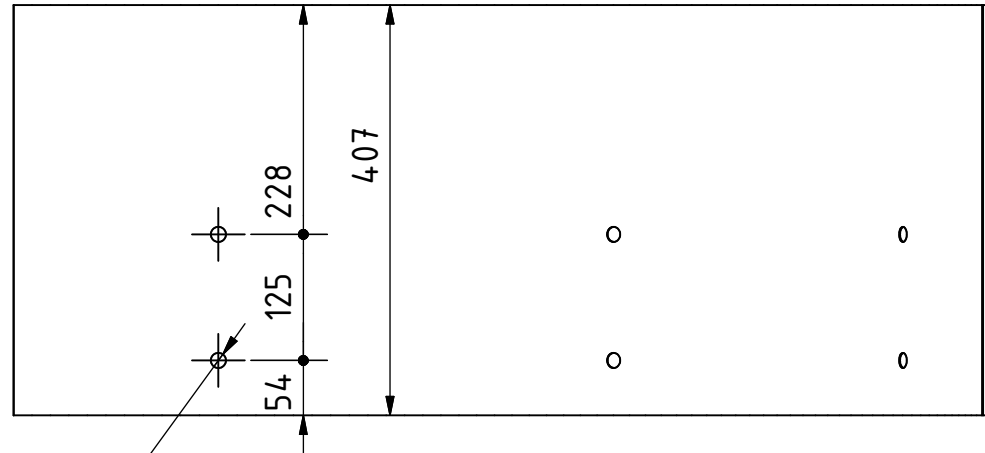
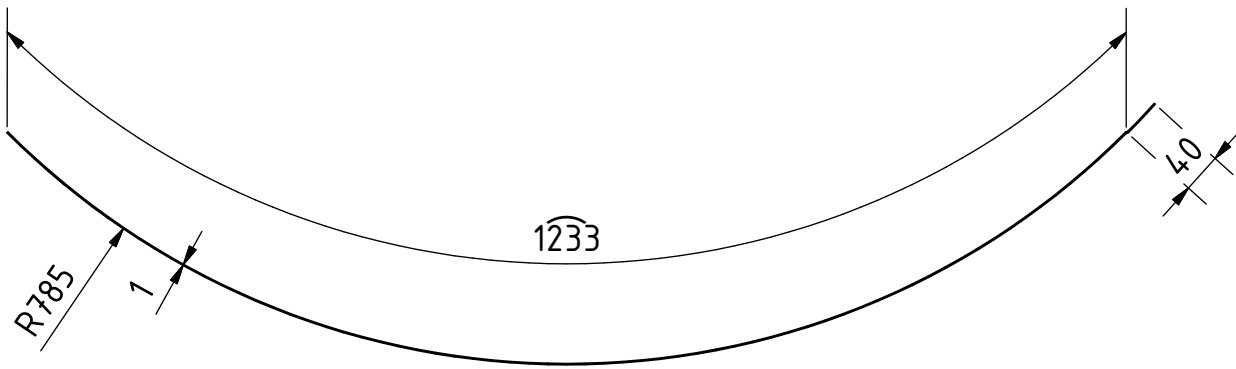
OHO e.V.



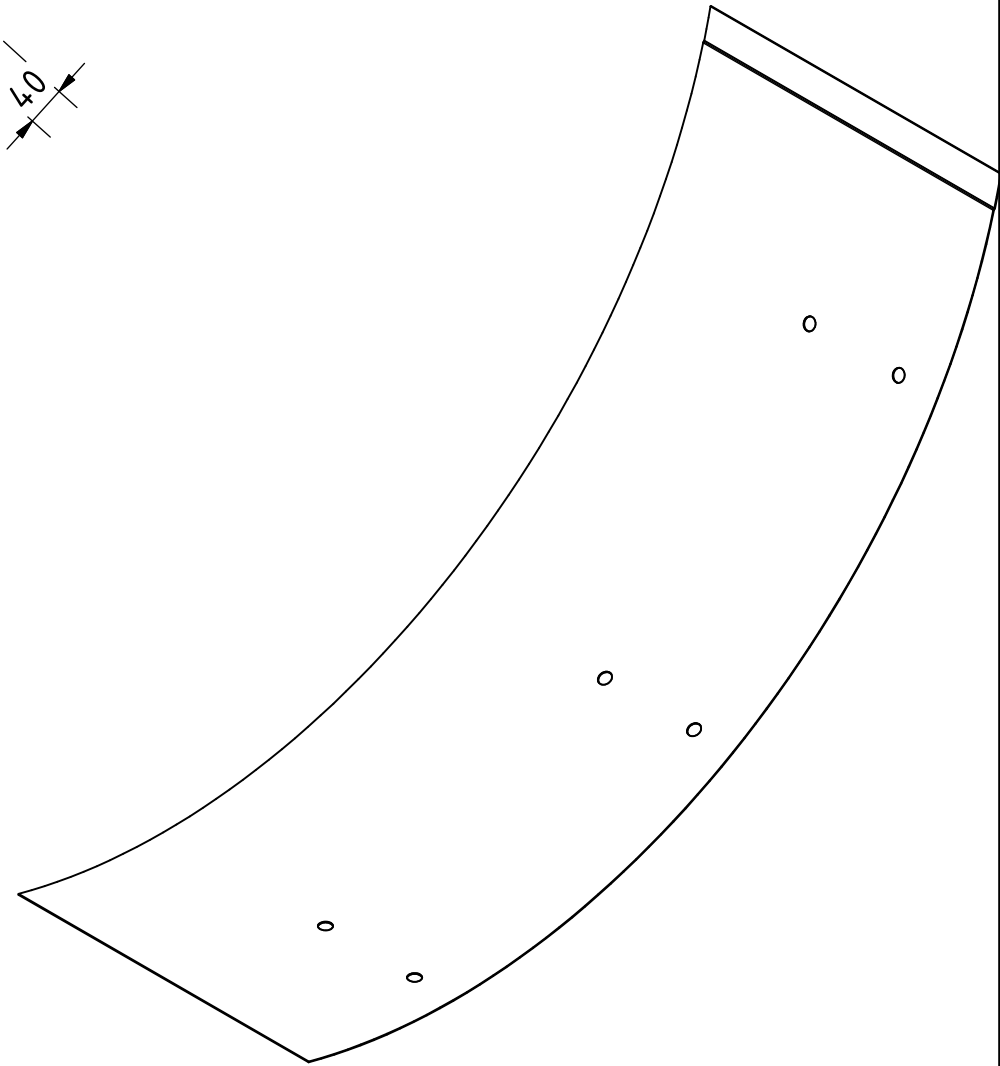
PROJECT	CREATED BY	APPROVED BY	DATE	VERSION	
Vertical Drum Hemp Harvester	A. Morillo	D. Jaeger	22-05-2024	0.06	
PART NAME	SPECIFICACIONES			CODE	
Part 2.21.3	Square profile 15*2 mm			2.21.3	
DEVELOPED BY	REDESIGNED BY	FILENAME		QTY	
Hanfasser		2.21.3.ipt		8	
		LICENSE	DOC. TYPE	SCALE	SHEET
		CC-BY-SA 4.0	Part	1 : 1	145 /215

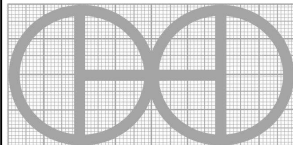


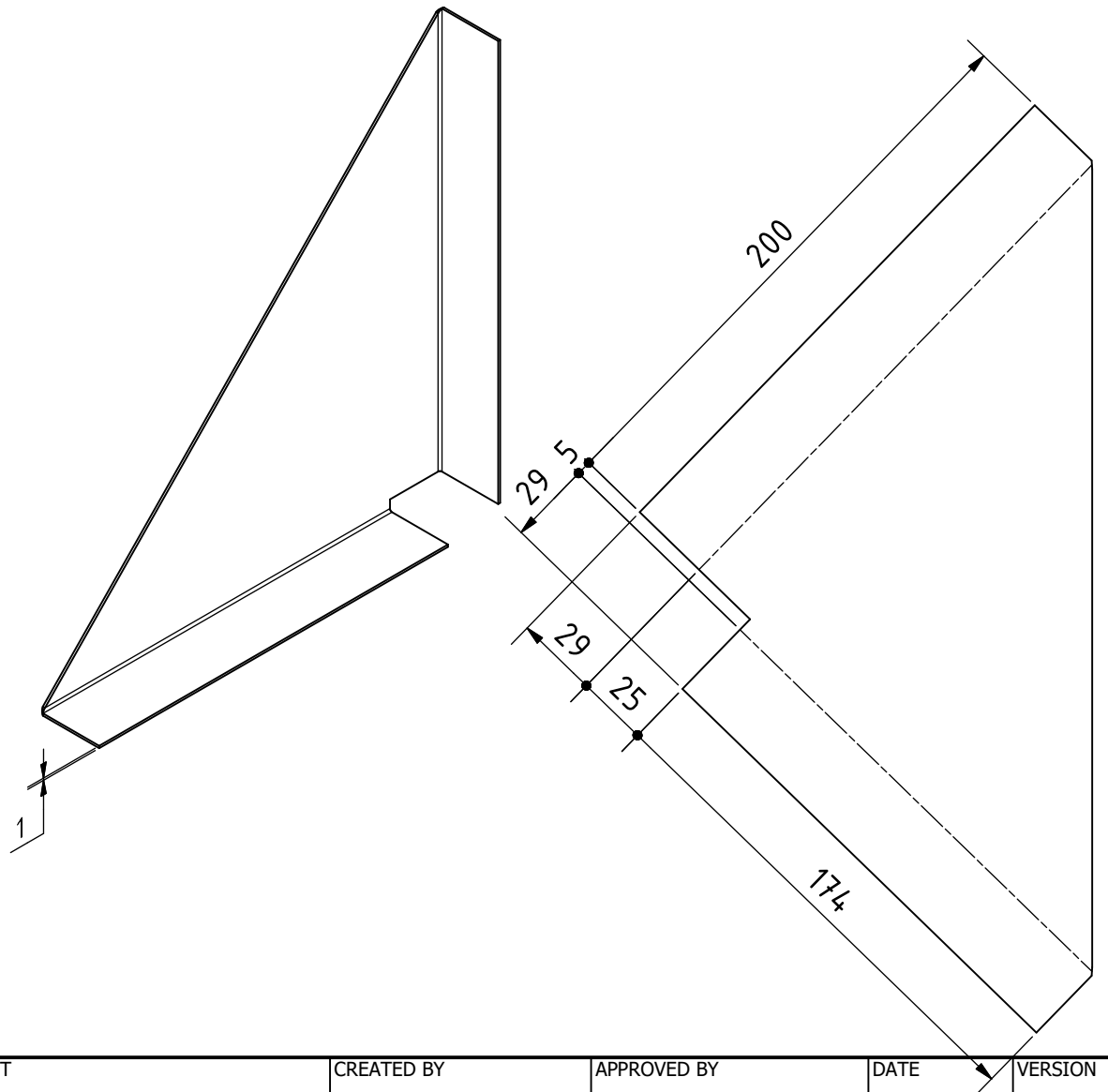
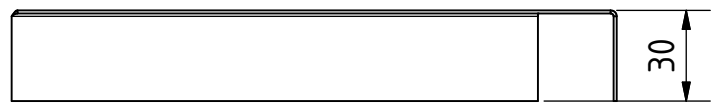
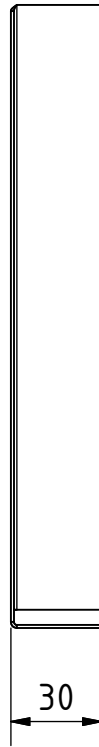
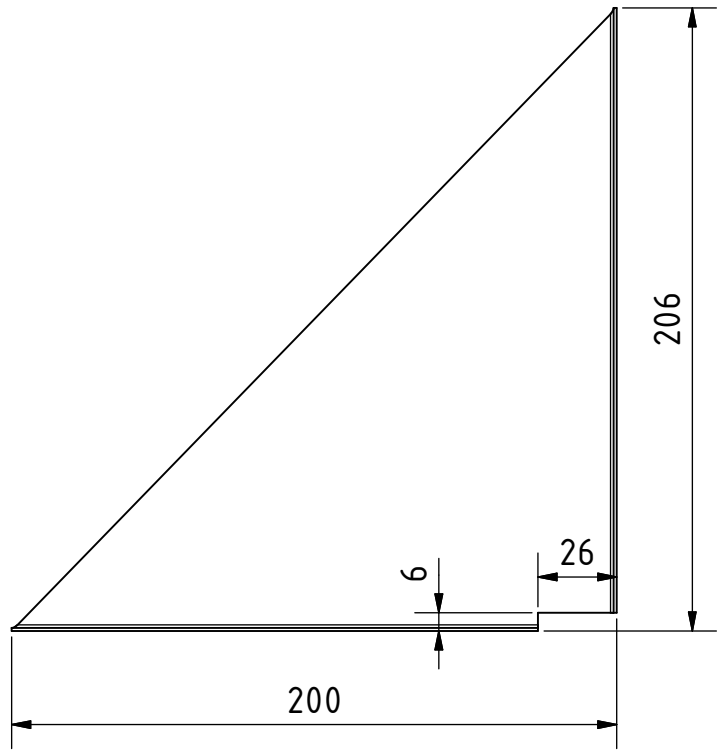
PROJECT	CREATED BY	APPROVED BY	DATE	VERSION	
Vertical Drum Hemp Harvester	A. Morillo	D. Jaeger	22-05-2024	0.06	
PART NAME	SPECIFICACIONES			CODE	
Part 2.21.4	Cast Iron (*)			2.21.4	
DEVELOPED BY	REDESIGNED BY	FILENAME		QTY	
Hanfasser		2.21.4.ipt		2	
		LICENSE	DOC. TYPE	SCALE	SHEET
		CC-BY-SA 4.0	Part	2 : 5	146 /215



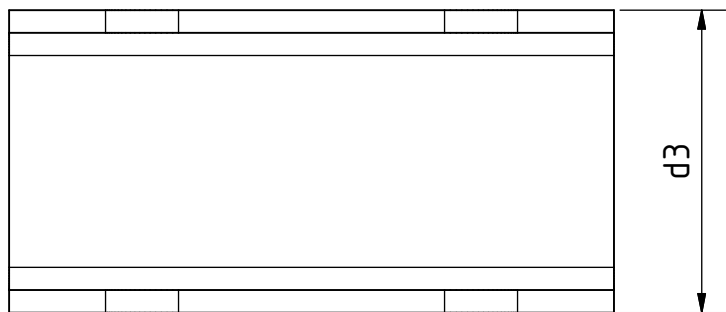
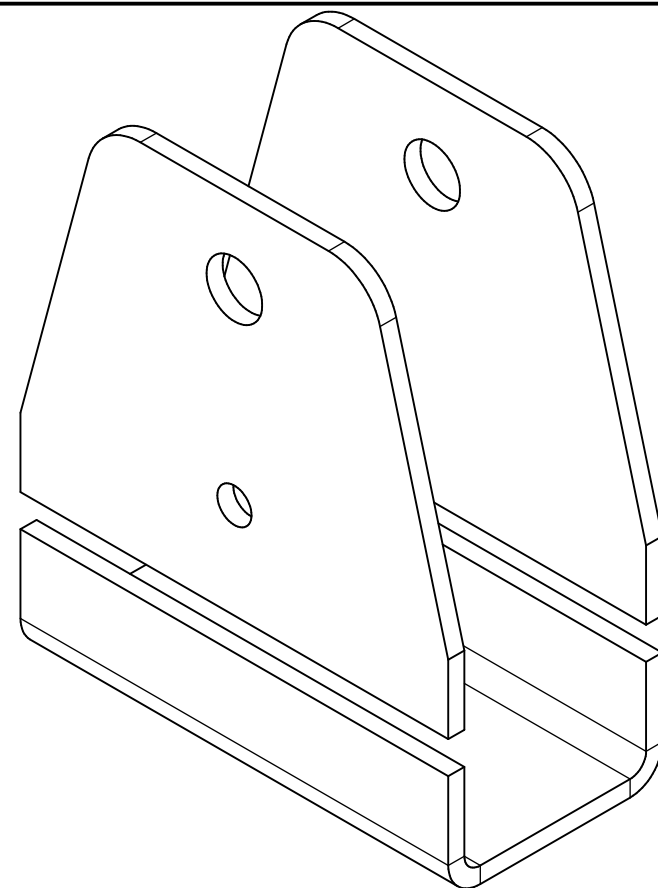
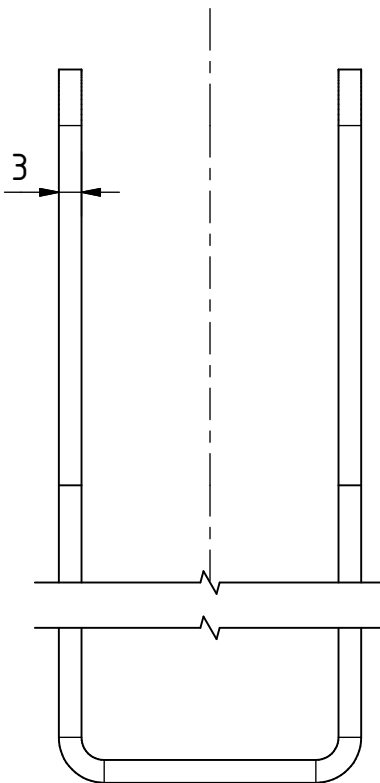
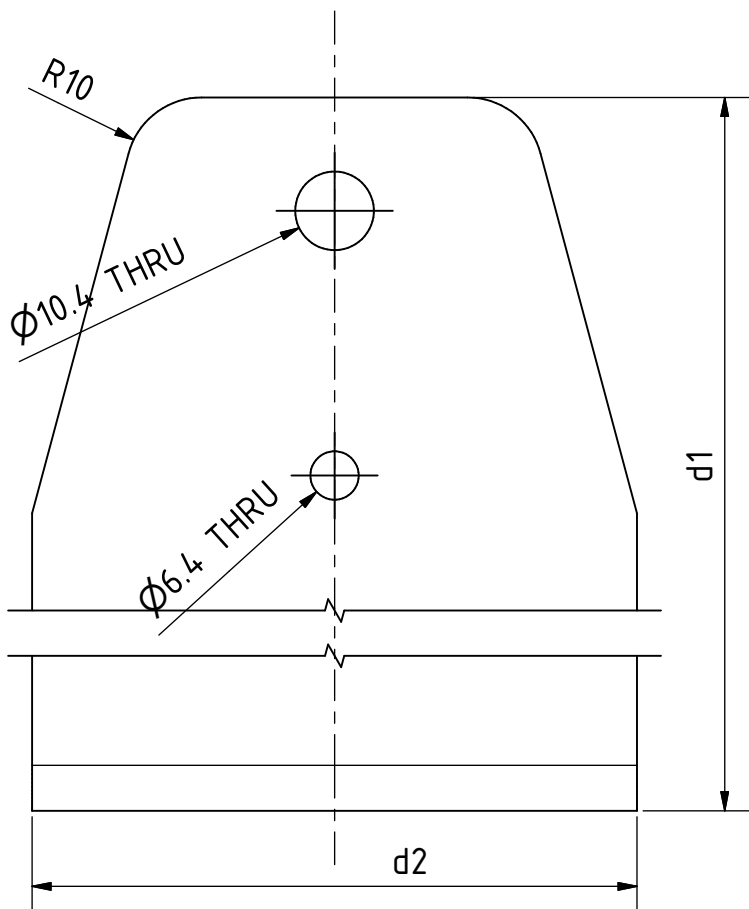
Ø15 THRU
x6



PROJECT	CREATED BY	APPROVED BY	DATE	VERSION	
Vertical Drum Hemp Harvester	A. Morillo	D. Jaeger	22-05-2024	0.06	
PART NAME	SPECIFICACIONES			CODE	
Part 2.21.5	Sheet 1mm			2.21.5	
DEVELOPED BY	REDESIGNED BY	FILENAME		QTY	
Hanfasser		2.21.5.ipt		8	
		LICENSE	DOC. TYPE	SCALE	SHEET
		CC-BY-SA 4.0	Part	2 : 15	147 /215

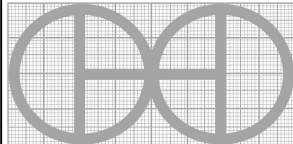


PROJECT	CREATED BY	APPROVED BY	DATE	VERSION
Vertical Drum Hemp Harvester	A. Morillo	D. Jaeger	22-05-2024	0.06
PART NAME	SPECIFICACIONES			CODE
Part 2.21.6	Sheet 1mm			2.21.6
DEVELOPED BY	REDESIGNED BY	FILENAME		QTY
		2.21.6.ipt		8
Hanfasser		LICENSE	DOC. TYPE	SHEET
		CC-BY-SA 4.0	Part	148 /215
		OHO e.V.	SCALE	
			2 : 5	



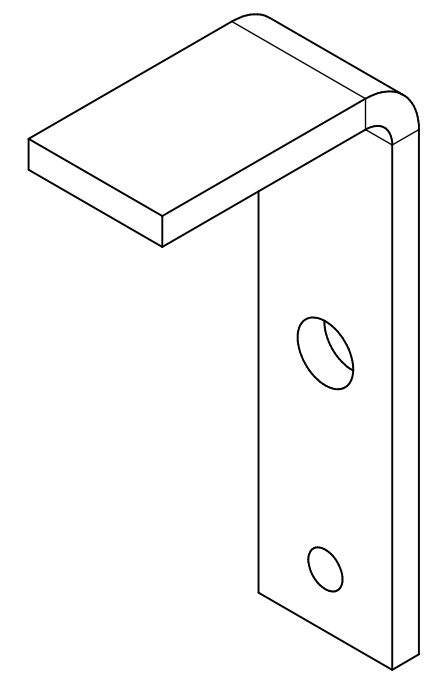
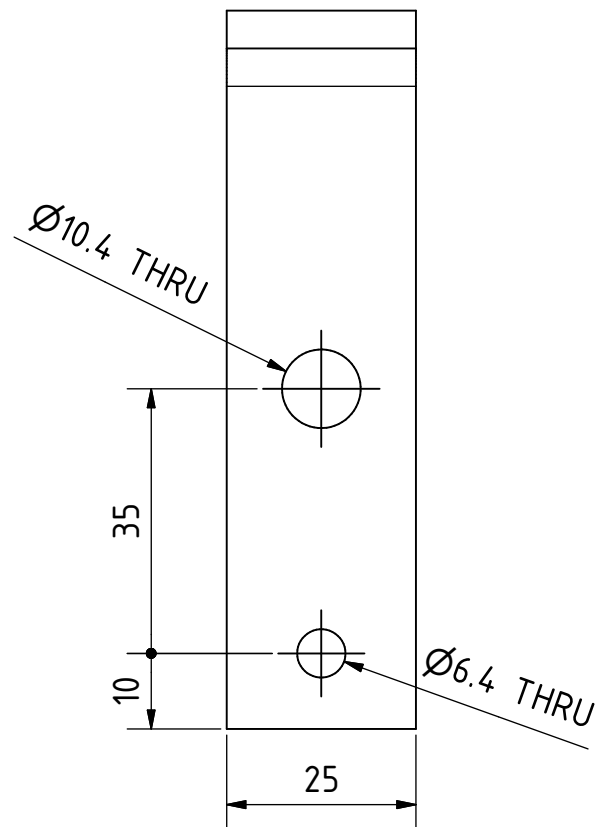
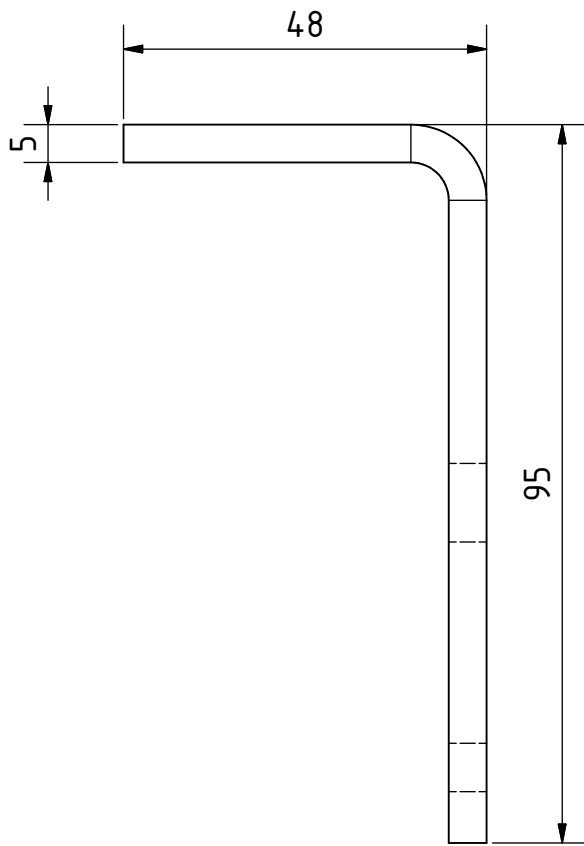
Size table			
Pos	d1	d2	d3
2.21.8_A (right)	185 mm	80 mm	40 mm
2.21.8_B (left)	190 mm	80 mm	40 mm

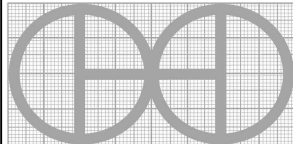
This item was adjusted to avoid interference problems

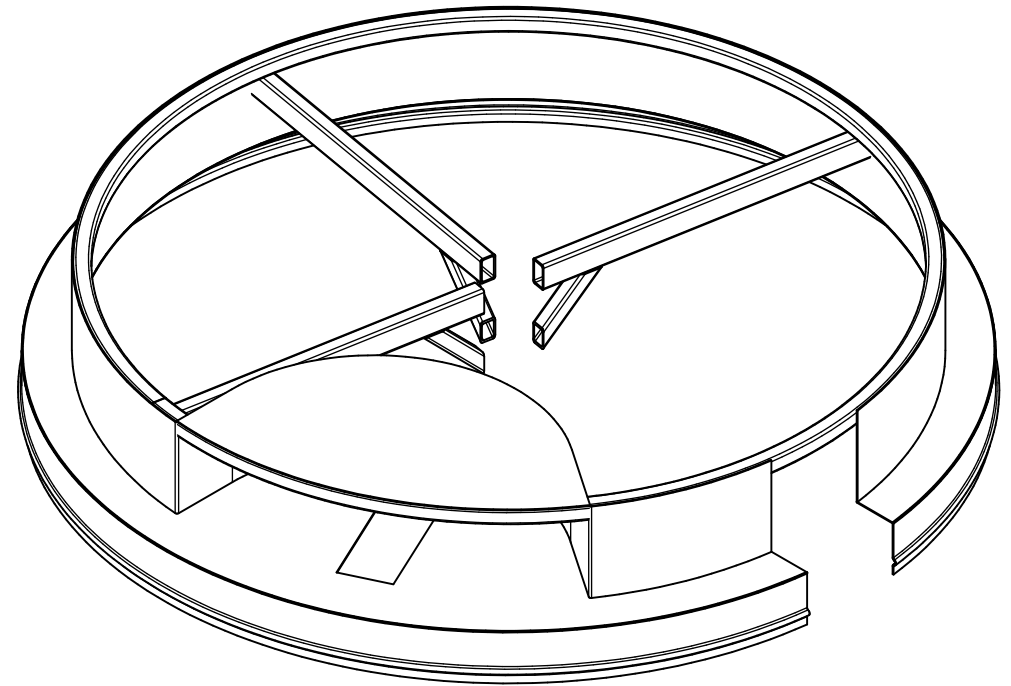
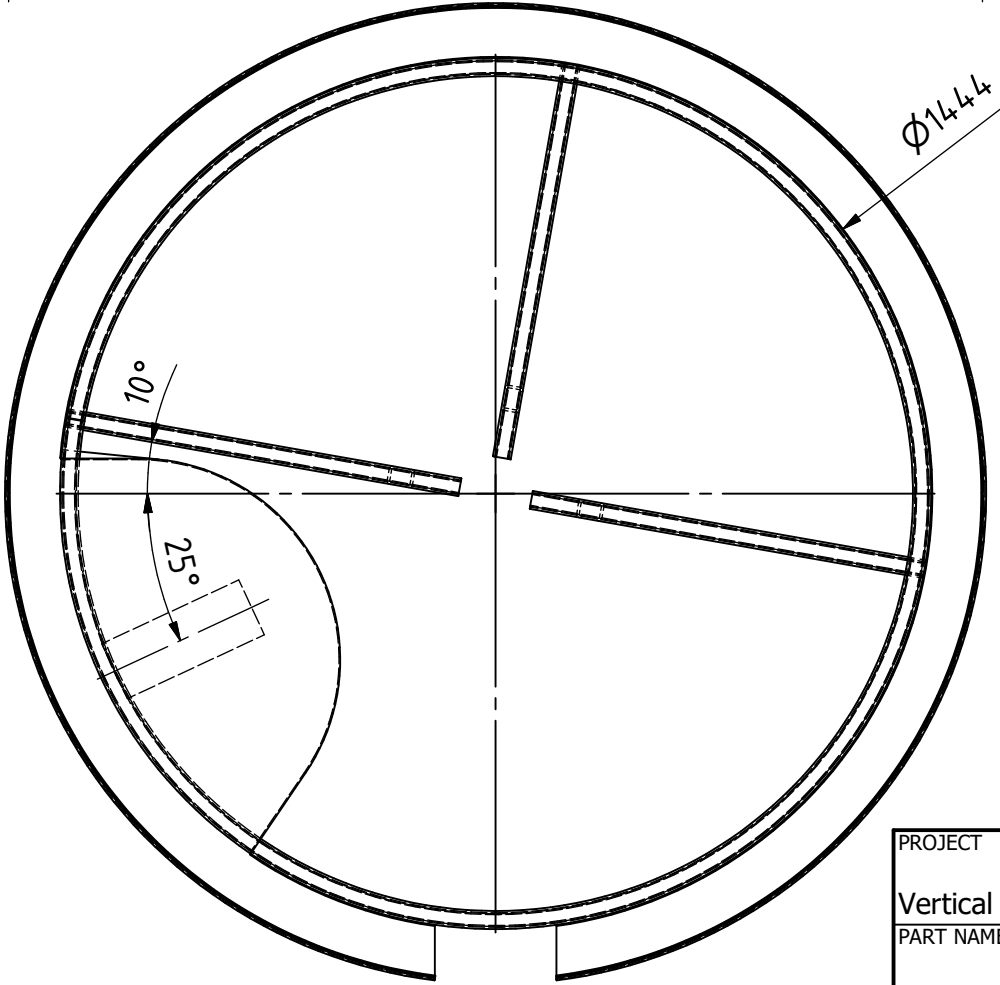
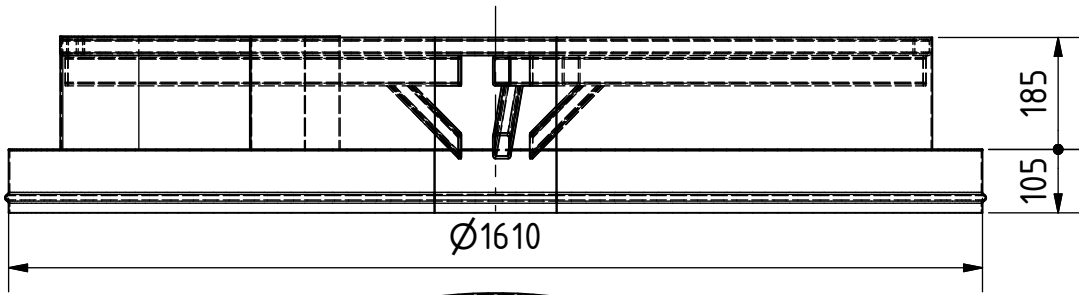
PROJECT	CREATED BY	APPROVED BY	DATE	VERSION
Vertical Drum Hemp Harvester	A. Morillo	D. Jaeger	22-05-2024	0.06
PART NAME	SPECIFICACIONES			CODE
Part 2.21.8	Steel 235J2			2.21.8
DEVELOPED BY	REDESIGNED BY	FILENAME		QTY
		2.21.8.ipt		24
		LICENSE	DOC. TYPE	SCALE
		CC-BY-SA 4.0	Part	1 : 1
				149 /215

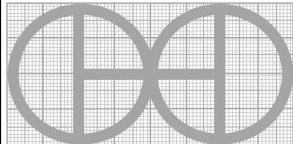
Hanfasser

OHO e.V.

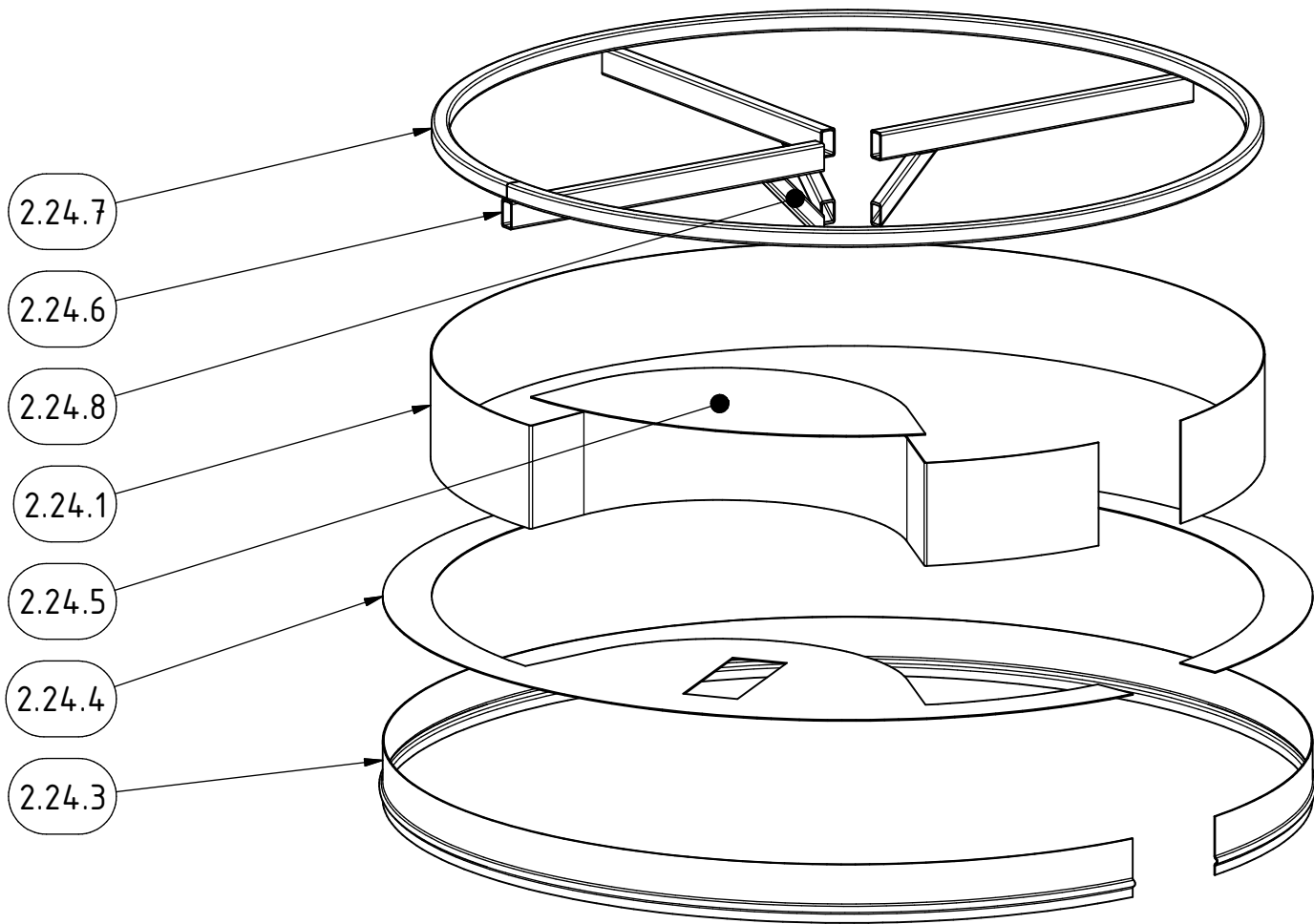


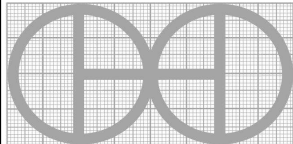
PROJECT	CREATED BY	APPROVED BY	DATE	VERSION
Vertical Drum Hemp Harvester	A. Morillo	D. Jaeger	22-05-2024	0.06
PART NAME	SPECIFICACIONES			CODE
Part 2.21.10	Flat bar 25*5 mm			2.21.10
DEVELOPED BY	REDESIGNED BY	FILENAME		QTY
		2.21.10.ipt		24
Hanfasser		LICENSE	DOC. TYPE	SCALE
		CC-BY-SA 4.0	Part	1 : 1
				SHEET
				150 /215



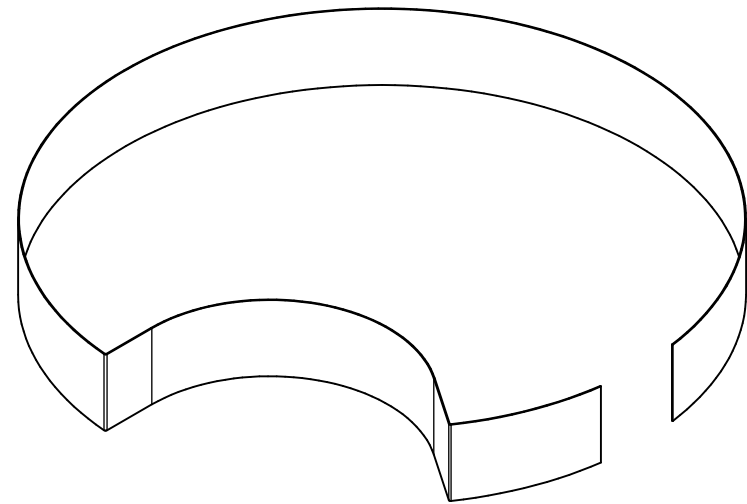
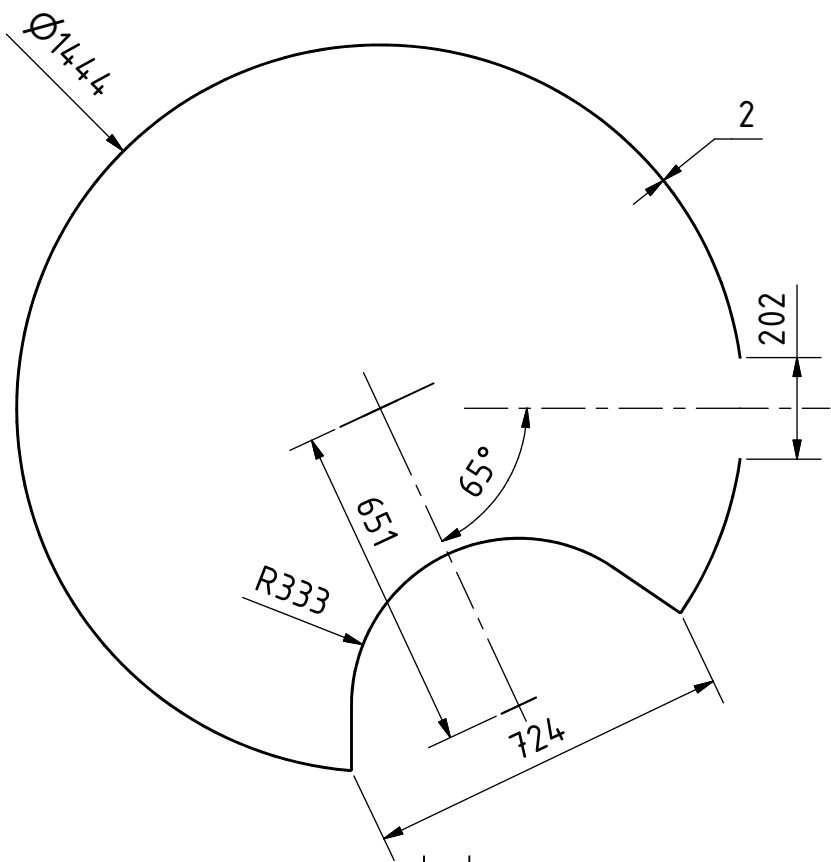
PROJECT	CREATED BY	APPROVED BY	DATE	VERSION
Vertical Drum Hemp Harvester	A. Morillo	D. Jaeger	22-05-2024	0.06
PART NAME	SPECIFICACIONES			CODE
Feeding drums 2				2.24.0
DEVELOPED BY	REDESIGNED BY	FILENAME		QTY
		2.24.iam		2
Hanfasser		LICENSE	DOC. TYPE	SCALE
		CC-BY-SA 4.0	Assembly	2 : 25
				SHEET
				151 /215

OHO e.V.

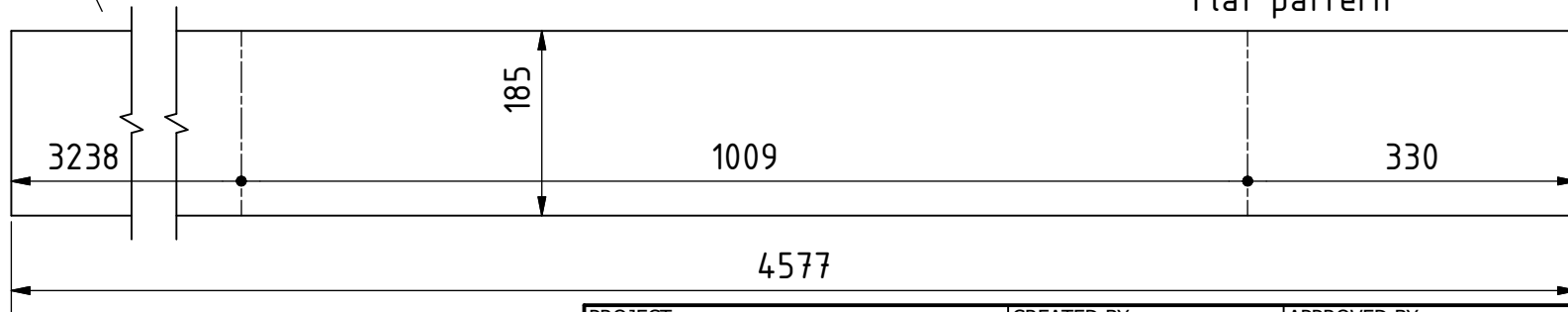


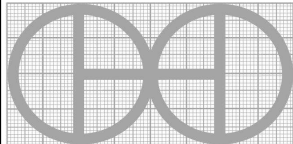
PROJECT	CREATED BY	APPROVED BY	DATE	VERSION
Vertical Drum Hemp Harvester	A. Morillo	D. Jaeger	22-05-2024	0.06
PART NAME	SPECIFICACIONES			CODE
Feeding drums 2				2.24.0
DEVELOPED BY	REDESIGNED BY	FILENAME		QTY
		2.24.ipn		2
		LICENSE	DOC. TYPE	SCALE
Hanfasser		CC-BY-SA 4.0	Assembly	2 : 25
				SHEET
				152 /215

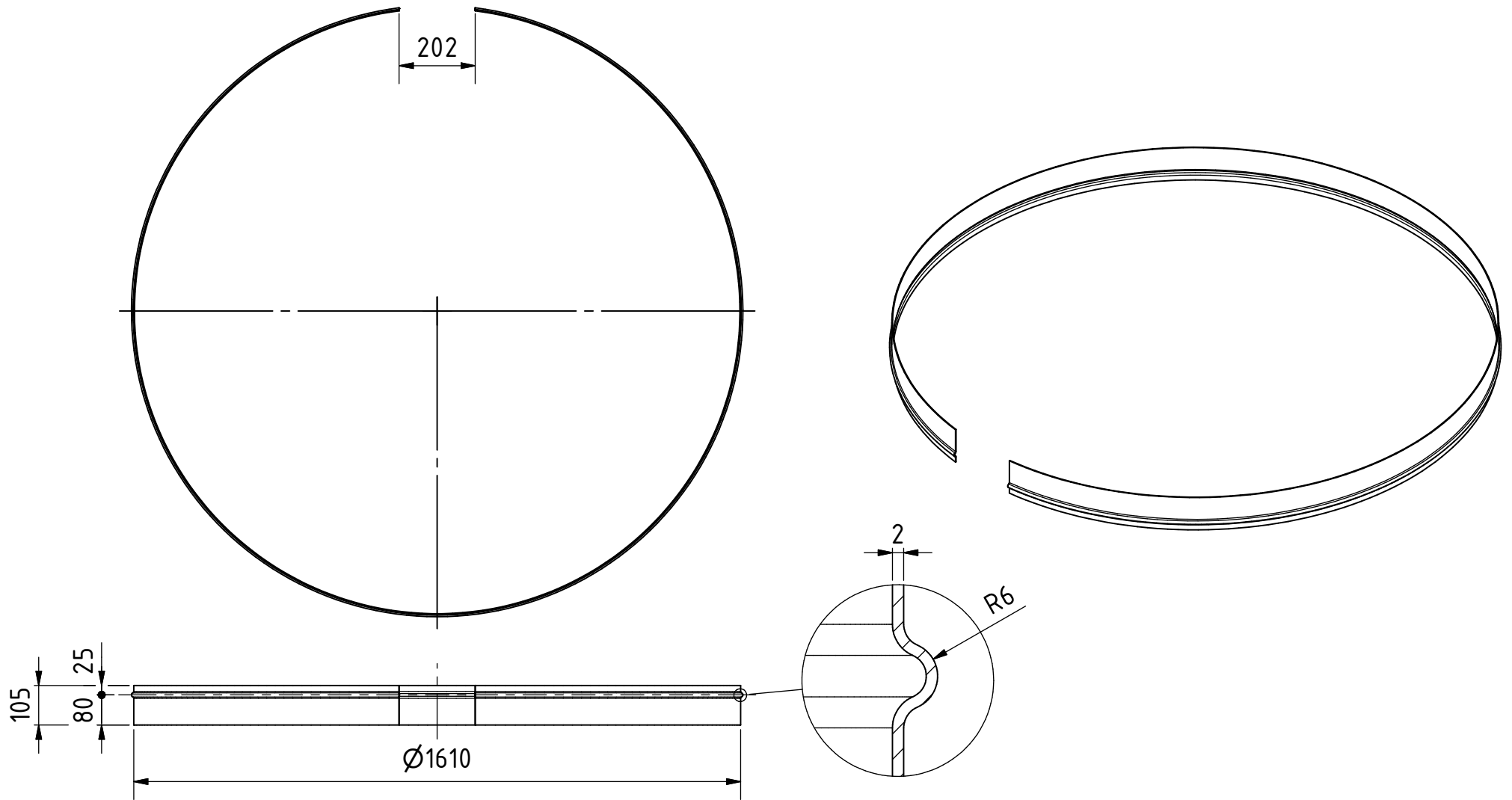
OHO e.V.

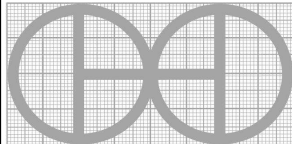


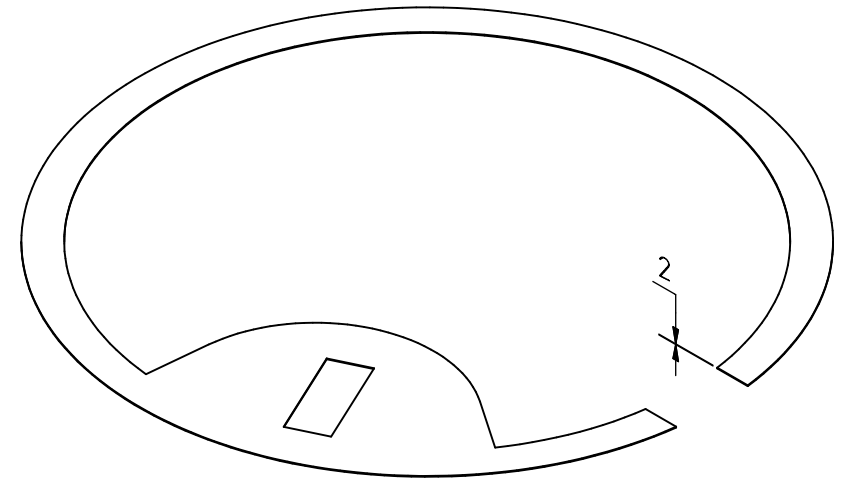
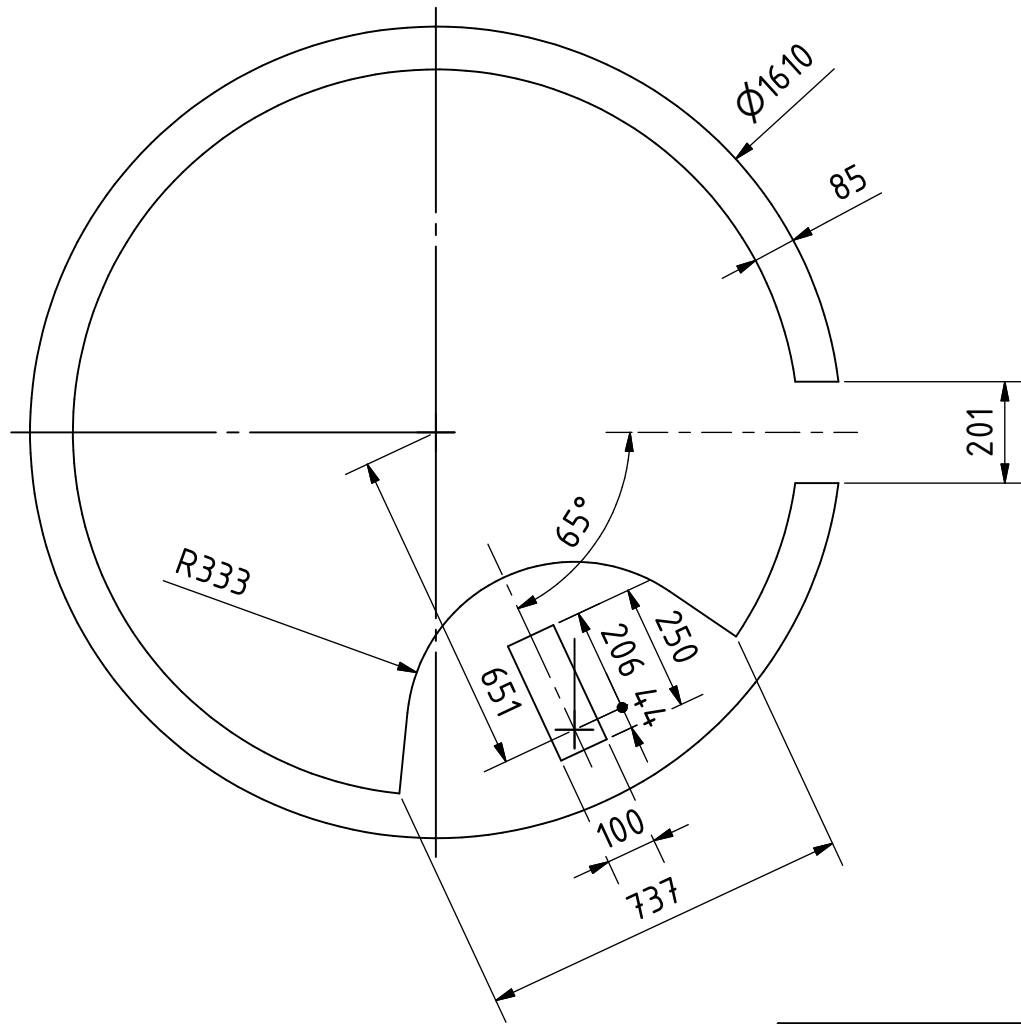
Flat pattern

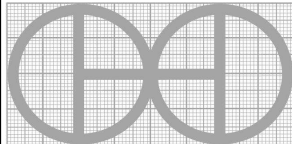


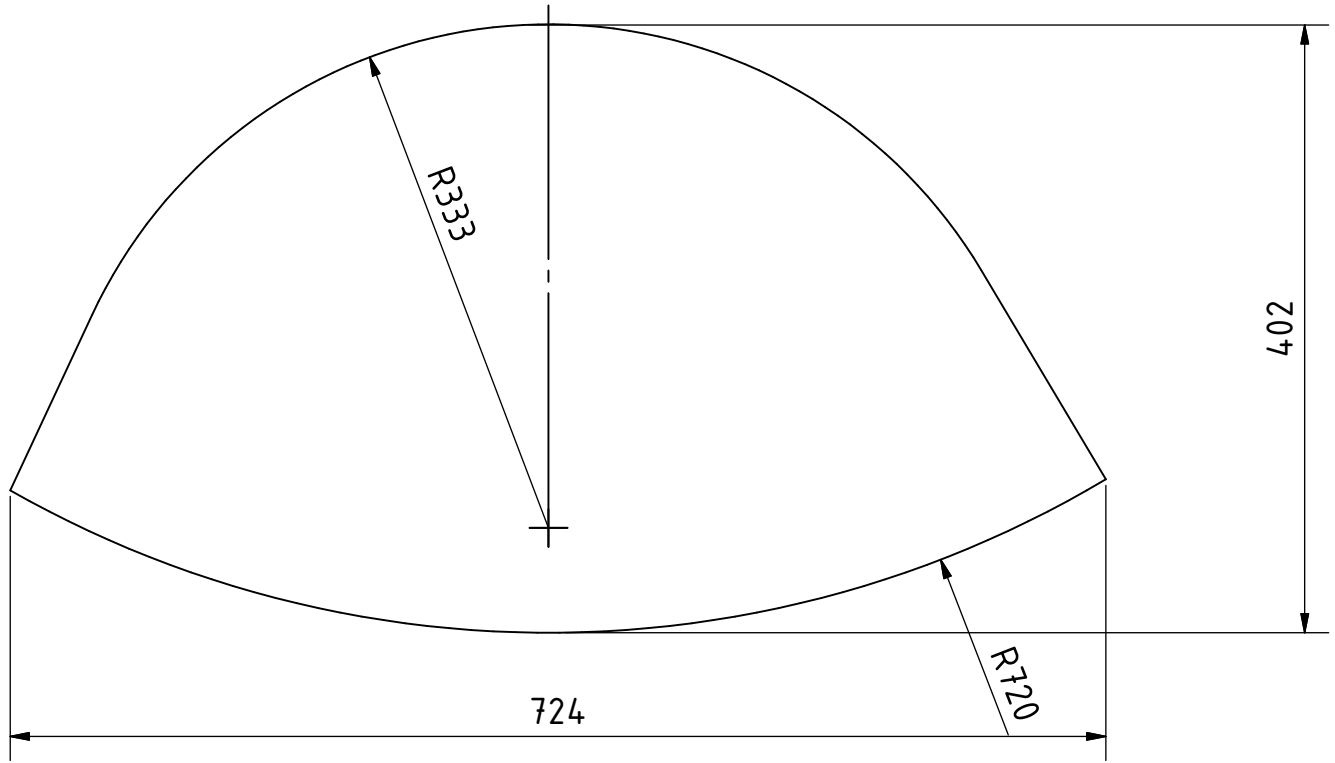
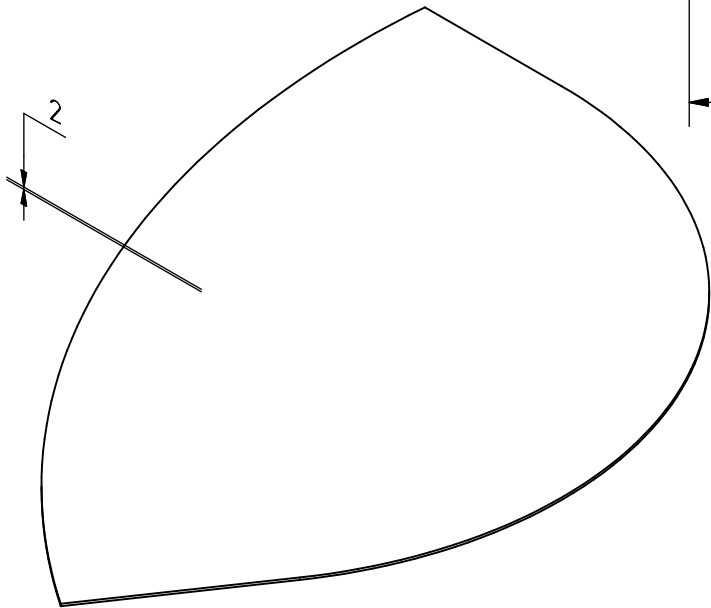
PROJECT	CREATED BY	APPROVED BY	DATE	VERSION
Vertical Drum Hemp Harvester	A. Morillo	D. Jaeger	22-05-2024	0.06
PART NAME	SPECIFICACIONES			CODE
Part 2.24.1	Sheet 2mm			2.24.1
DEVELOPED BY	REDESIGNED BY	FILENAME		QTY
		2.24.1.ipt		2
		LICENSE	DOC. TYPE	SCALE
Hanfasser		CC-BY-SA 4.0	Part	1 : 15
				SHEET
				153 /215

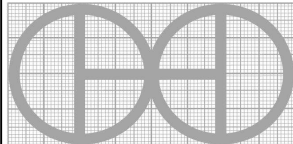


PROJECT	CREATED BY	APPROVED BY	DATE	VERSION
Vertical Drum Hemp Harvester	A. Morillo	D. Jaeger	22-05-2024	0.06
PART NAME	SPECIFICACIONES			CODE
Part 2.24.3	Sheet 2mm			2.24.3
DEVELOPED BY	REDESIGNED BY	FILENAME		QTY
		2.24.3.ipt		2
Hanfasser		LICENSE	DOC. TYPE	SCALE
		CC-BY-SA 4.0	Part	1 : 15
				SHEET
				154 /215

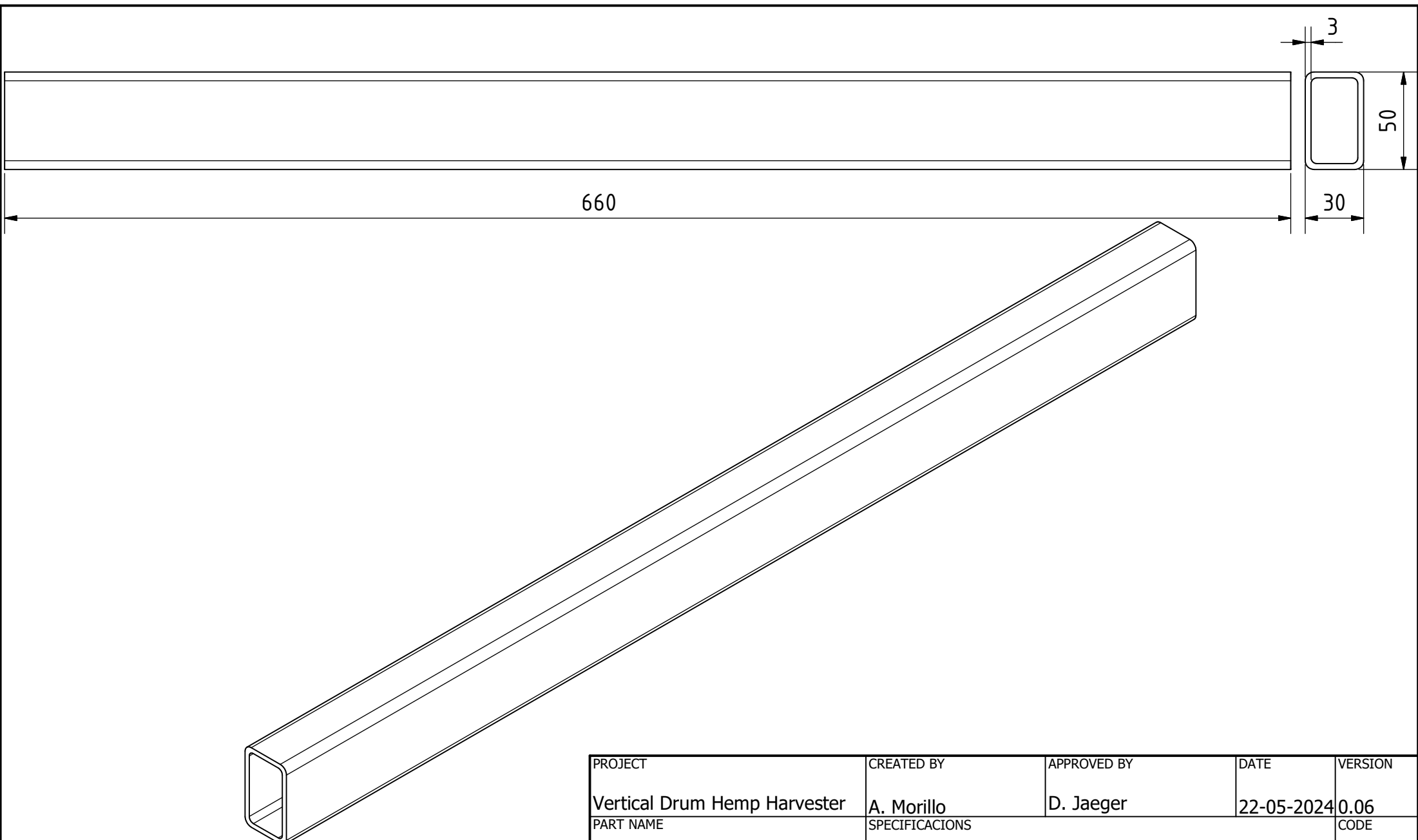


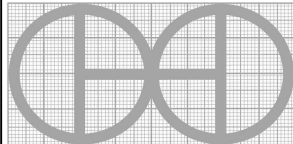
PROJECT	CREATED BY	APPROVED BY	DATE	VERSION
Vertical Drum Hemp Harvester	A. Morillo	D. Jaeger	22-05-2024	0.06
PART NAME	SPECIFICACIONES			CODE
Part 2.24.4	Sheet 2mm			2.24.4
DEVELOPED BY	REDESIGNED BY	FILENAME		QTY
		2.24.4.ipt		2
Hanfasser		LICENSE	DOC. TYPE	SCALE
		CC-BY-SA 4.0	Part	1 : 1
				SHEET
				155 /215



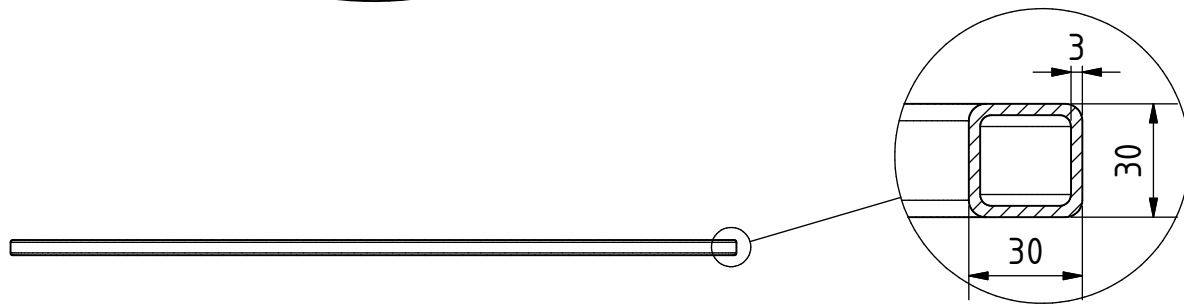
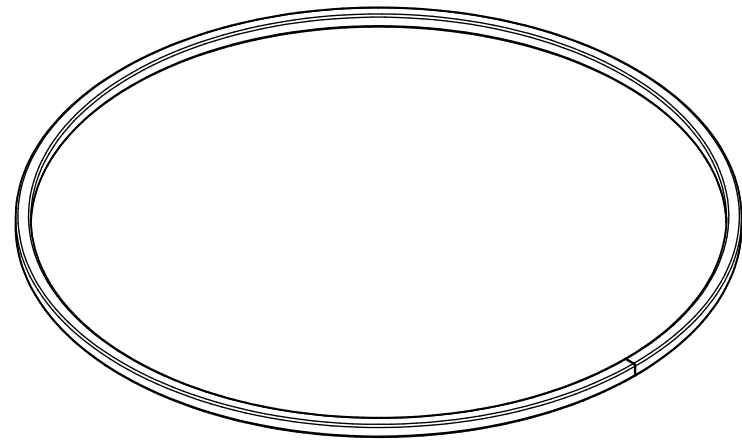
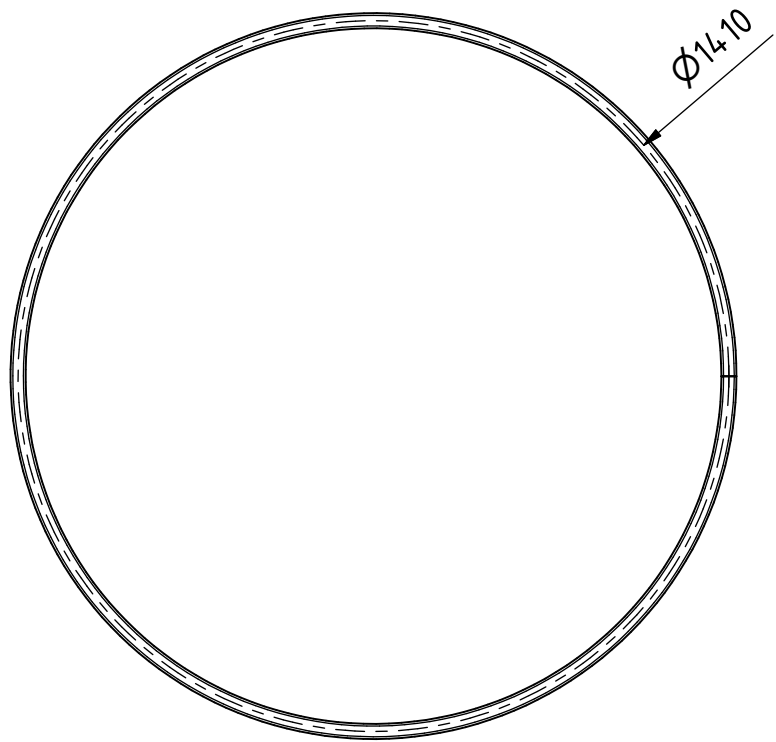
PROJECT	CREATED BY	APPROVED BY	DATE	VERSION	
Vertical Drum Hemp Harvester	A. Morillo	D. Jaeger	22-05-2024	0.06	
PART NAME	SPECIFICACIONES			CODE	
Part 2.24.5	Sheet 2mm			2.24.5	
DEVELOPED BY	REDESIGNED BY	FILENAME		QTY	
Hanfasser		2.24.5.ipt		2	
		LICENSE	DOC. TYPE	SCALE	SHEET
		CC-BY-SA 4.0	Part	1 : 5	156 /215

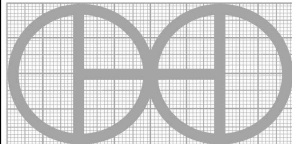
OHO e.V.

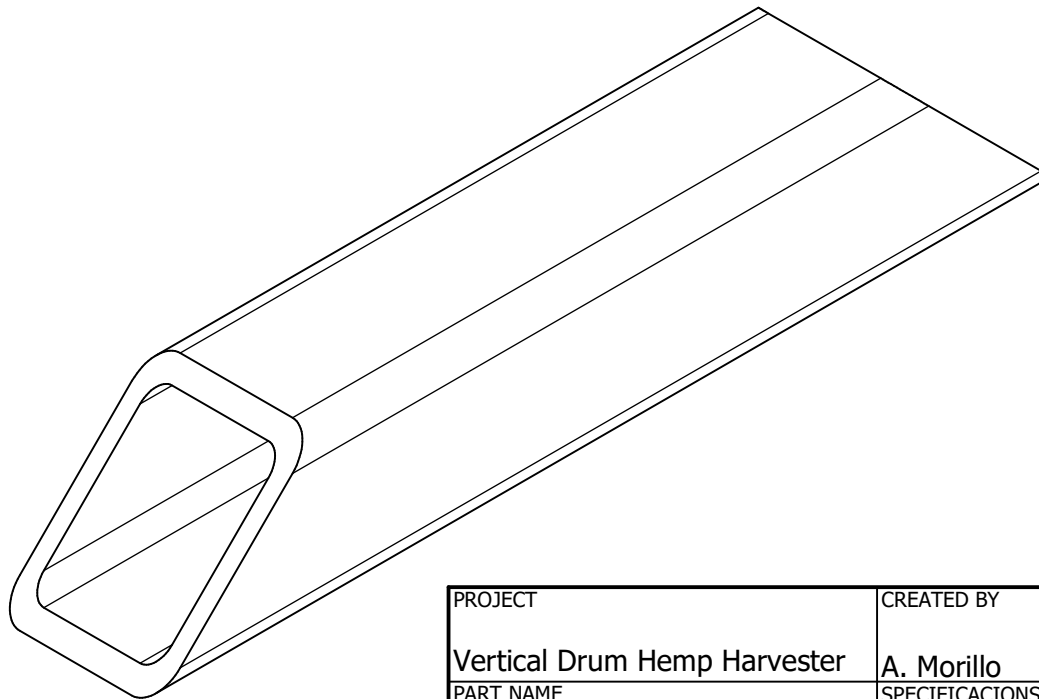
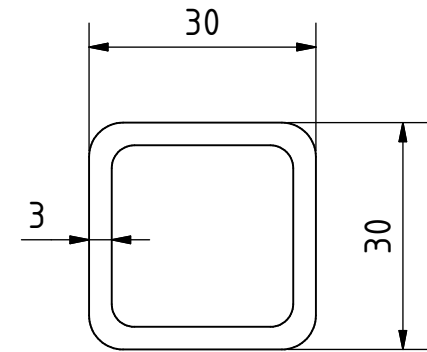
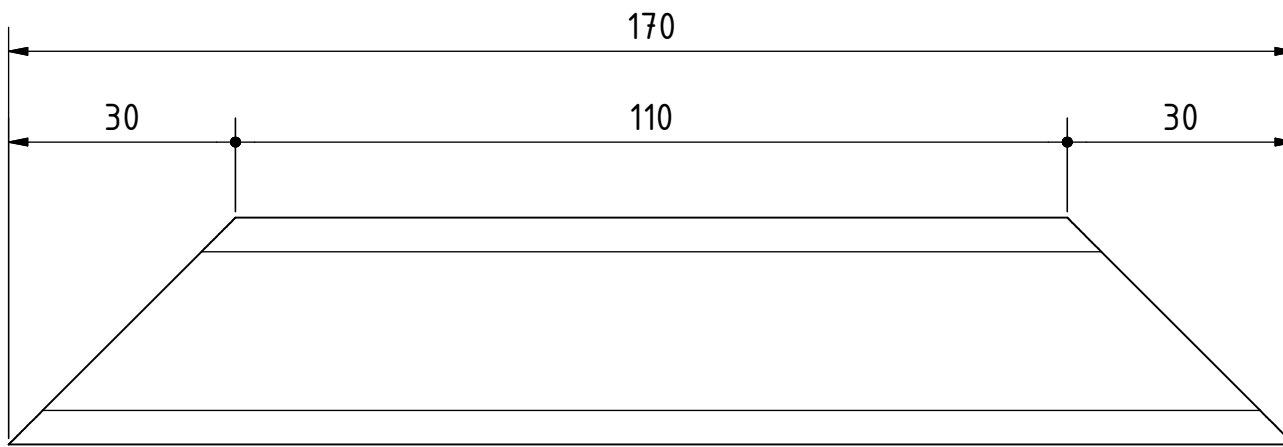


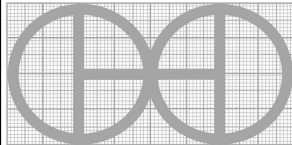
PROJECT	CREATED BY	APPROVED BY	DATE	VERSION	
Vertical Drum Hemp Harvester	A. Morillo	D. Jaeger	22-05-2024	0.06	
PART NAME	SPECIFICACIONES			CODE	
Part 2.24.6	Rectangle profile 50*30*3 mm			2.24.6	
DEVELOPED BY	REDESIGNED BY	FILENAME		QTY	
Hanfasser		2.24.6.ipt		6	
		LICENSE	DOC. TYPE	SCALE	SHEET
		CC-BY-SA 4.0	Part	2 : 5	157 /215

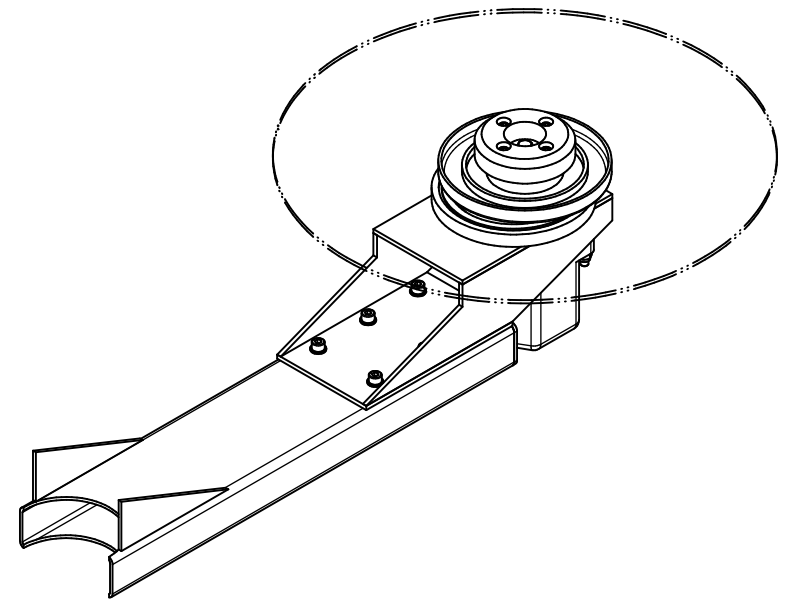
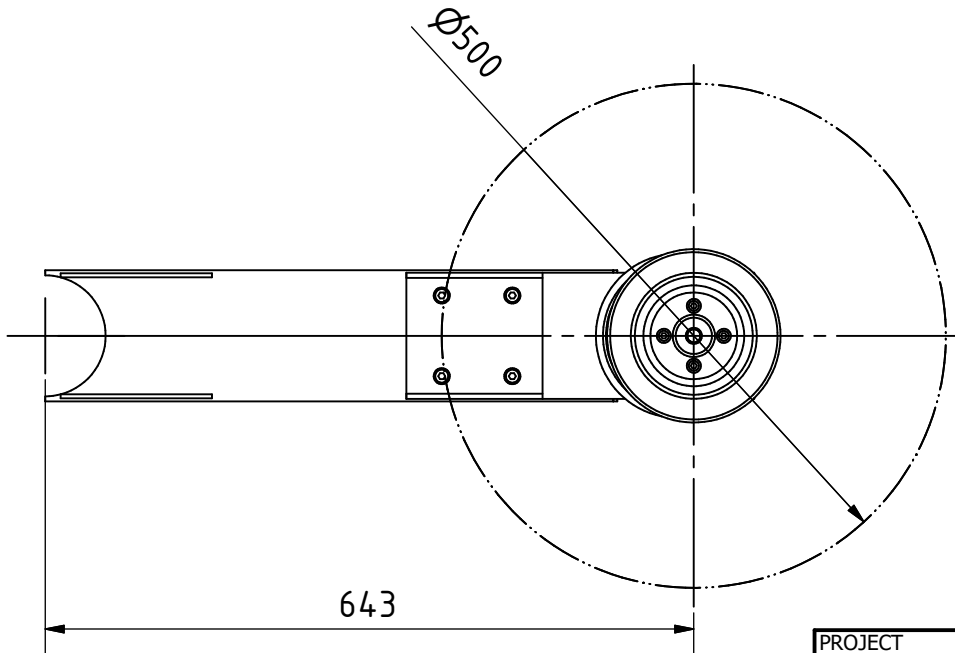
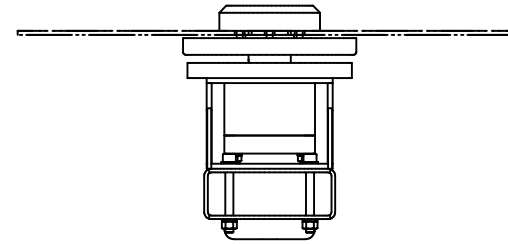
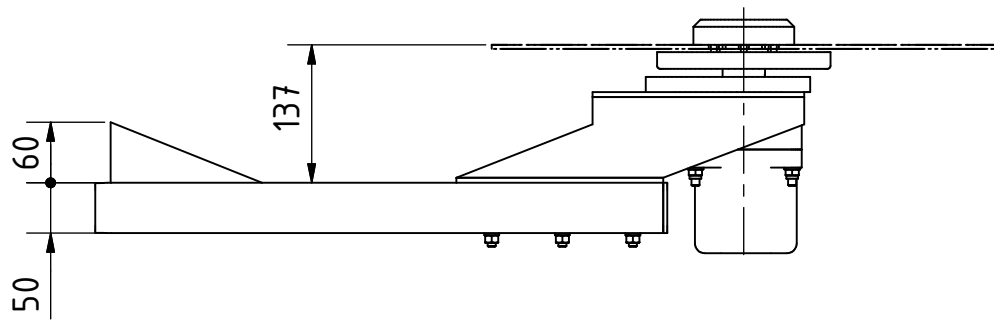
OHO e.V.

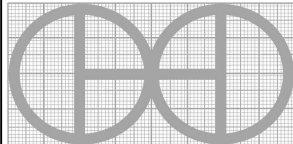


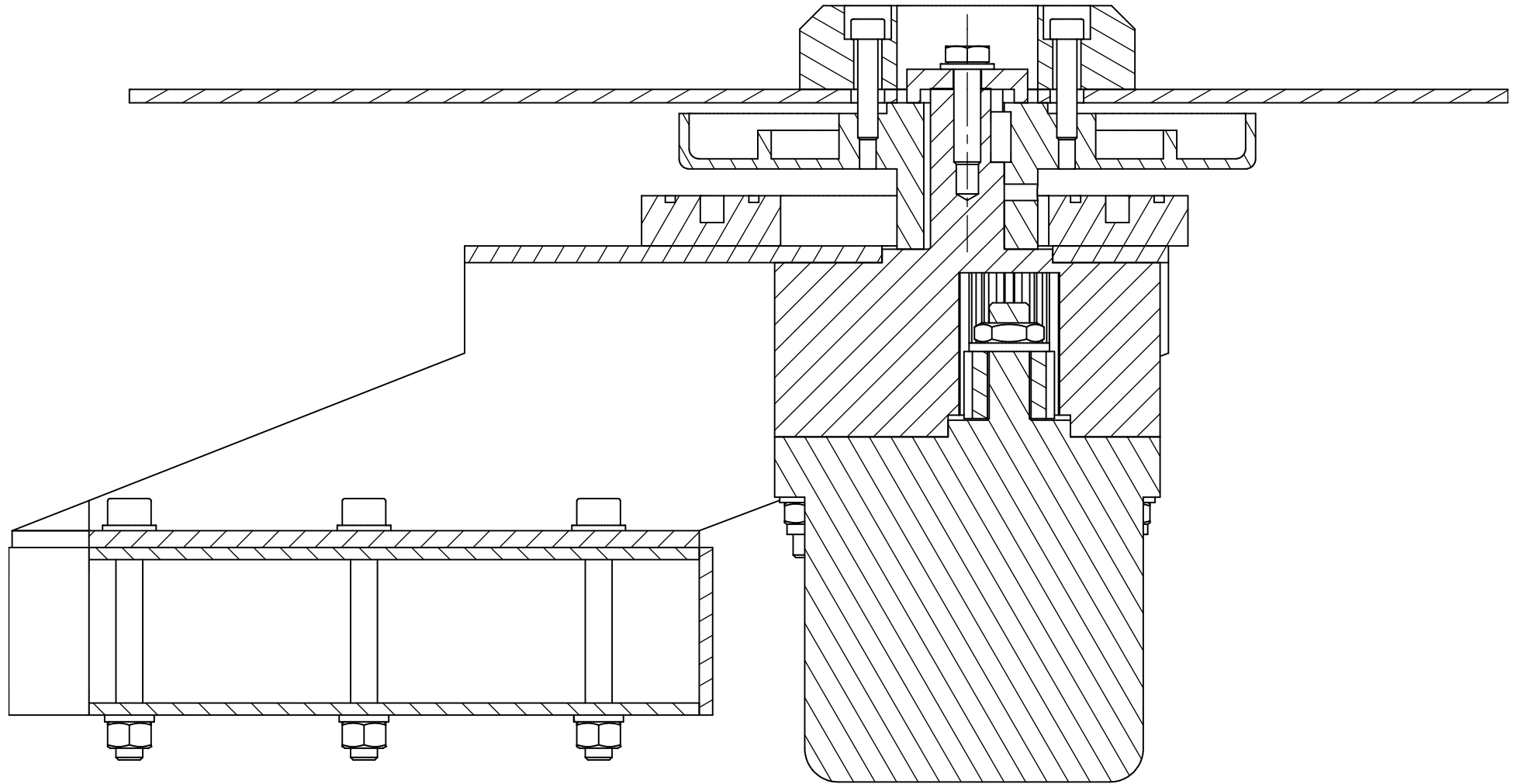
PROJECT	CREATED BY	APPROVED BY	DATE	VERSION	
Vertical Drum Hemp Harvester	A. Morillo	D. Jaeger	22-05-2024	0.06	
PART NAME	SPECIFICACIONES			CODE	
Part 2.24.7	Square profile 30*3 mm			2.24.7	
DEVELOPED BY	REDESIGNED BY	FILENAME		QTY	
Hanfasser		2.24.7.ipt		2	
		LICENSE	DOC. TYPE	SCALE	SHEET
		CC-BY-SA 4.0	Part	1 : 15	158 /215

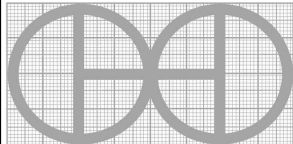


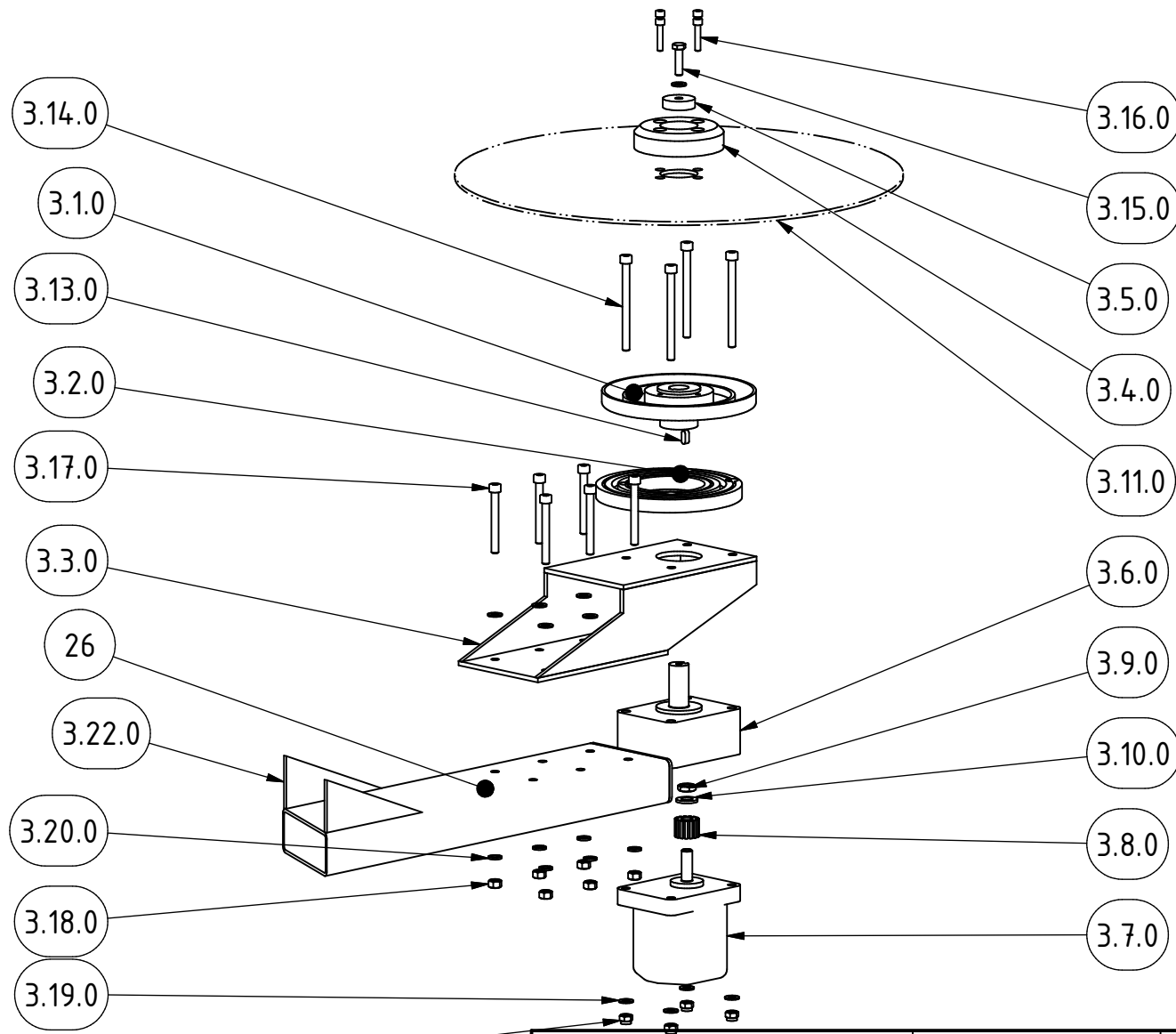
PROJECT	CREATED BY	APPROVED BY	DATE	VERSION
Vertical Drum Hemp Harvester	A. Morillo	D. Jaeger	22-05-2024	0.06
PART NAME	SPECIFICACIONES			CODE
Part 2.24.8	Square profile 30*3 mm			2.24.8
DEVELOPED BY	REDESIGNED BY	FILENAME		QTY
		2.24.8.ipt		6
Hanfasser		LICENSE	DOC. TYPE	SCALE
		CC-BY-SA 4.0	Part	1 : 1
				SHEET
				159 /215

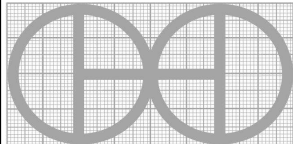


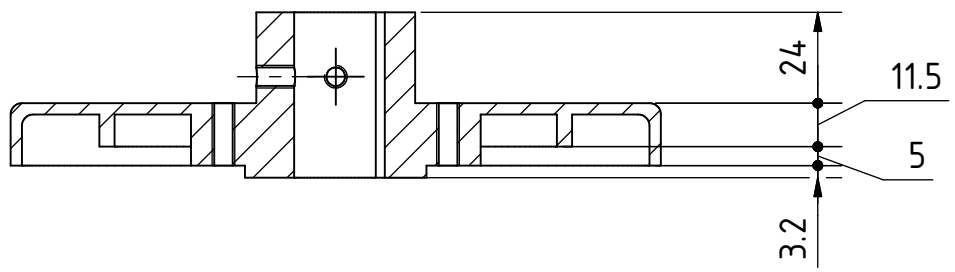
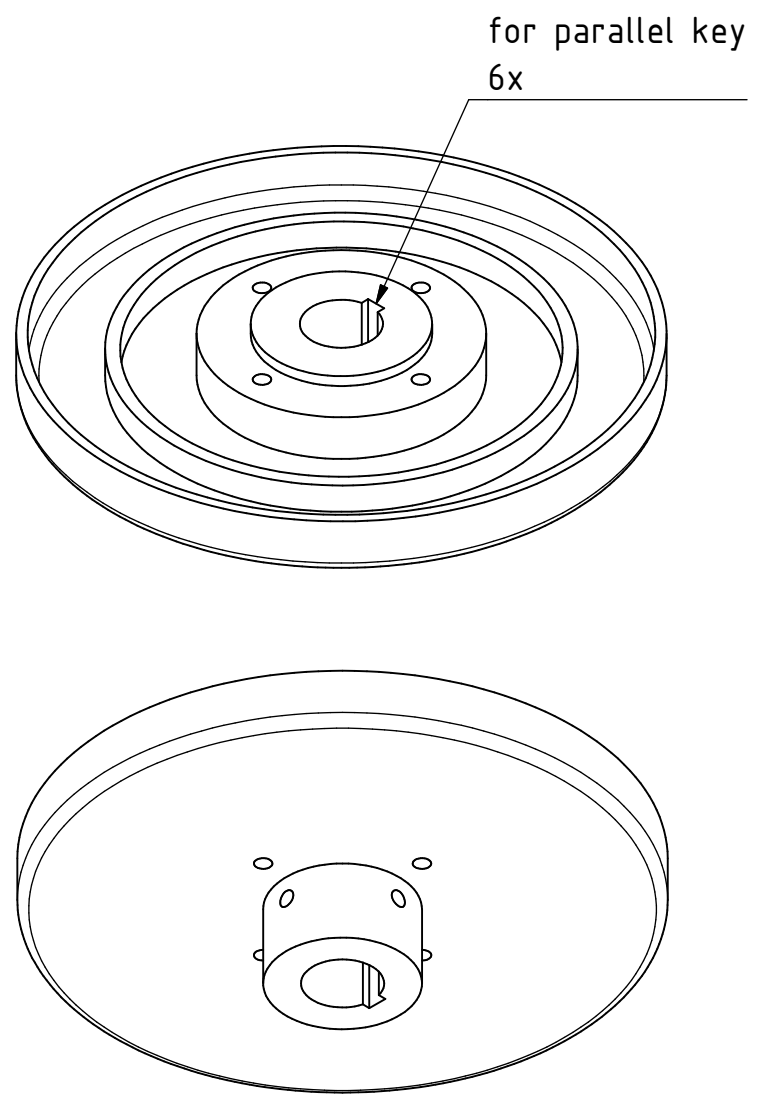
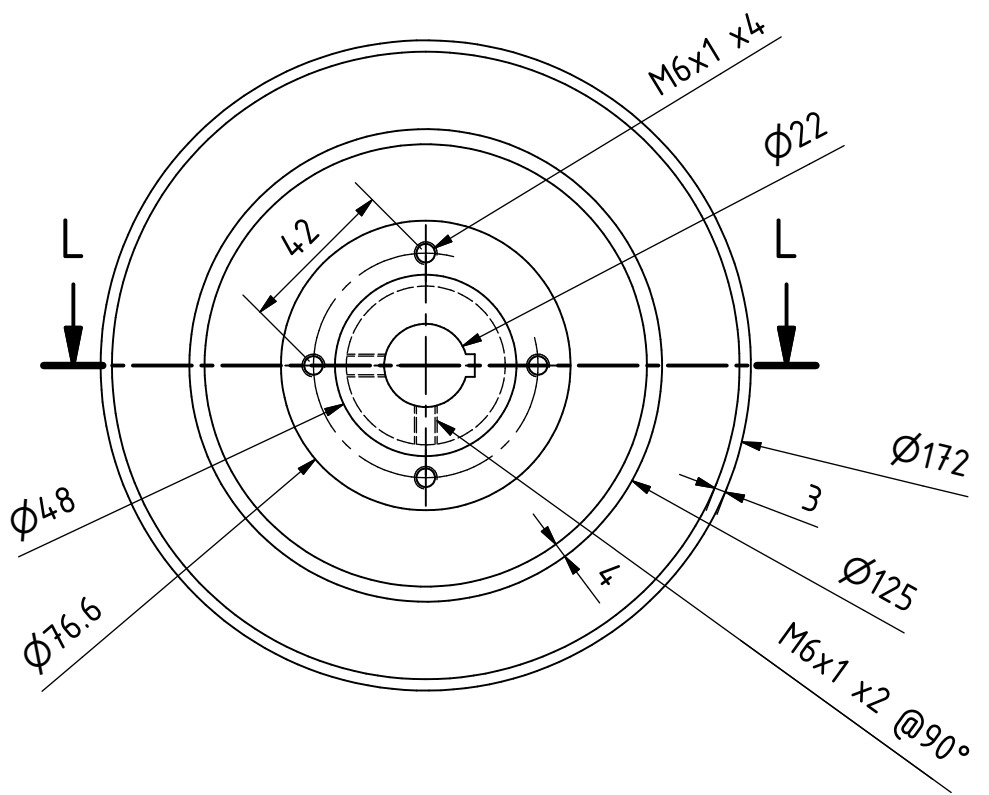
PROJECT	CREATED BY	APPROVED BY	DATE	VERSION
Vertical Drum Hemp Harvester	A. Morillo	D. Jaeger	22-05-2024	0.06
PART NAME	SPECIFICACIONES			CODE
Circular saws				3.0.0
DEVELOPED BY	REDESIGNED BY	FILENAME		QTY
		3.iam		6
Hanfasser		OHO e.V.	LICENSE	DOC. TYPE
		CC-BY-SA 4.0	Assembly	SCALE
				SHEET
				160 /215

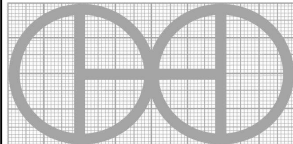


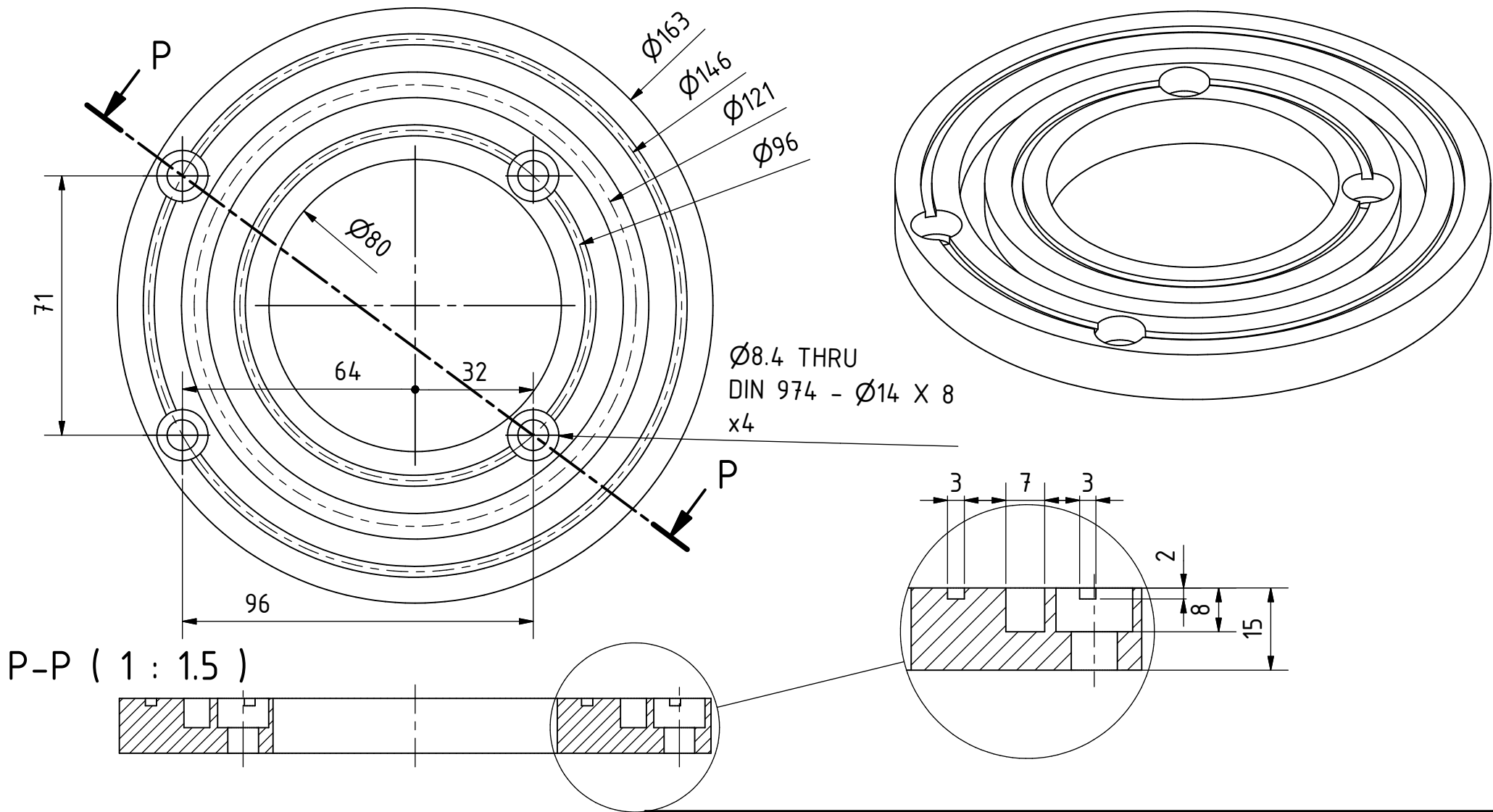
PROJECT	CREATED BY	APPROVED BY	DATE	VERSION
Vertical Drum Hemp Harvester	A. Morillo	D. Jaeger	22-05-2024	0.06
PART NAME	SPECIFICACIONES			CODE
Circular saws				3.0.0
DEVELOPED BY	REDESIGNED BY	FILENAME	QTY	
		3.iam	6	
		LICENSE	DOC. TYPE	SCALE
Hanfasser		CC-BY-SA 4.0	Assembly	4 : 7
		OHO e.V.		SHEET
				161 /215

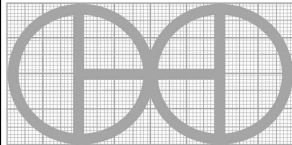


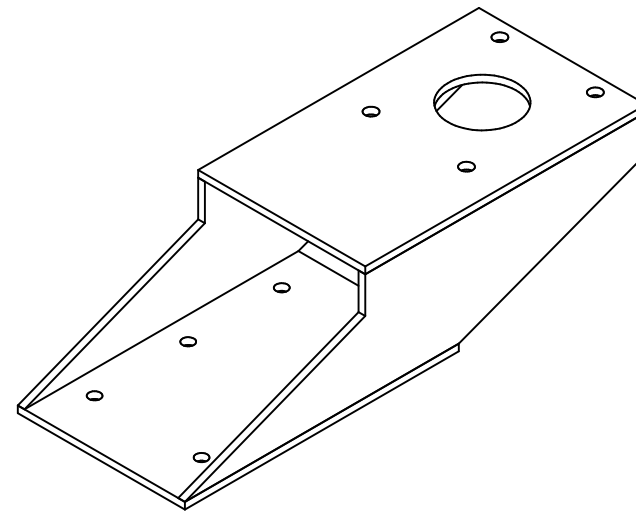
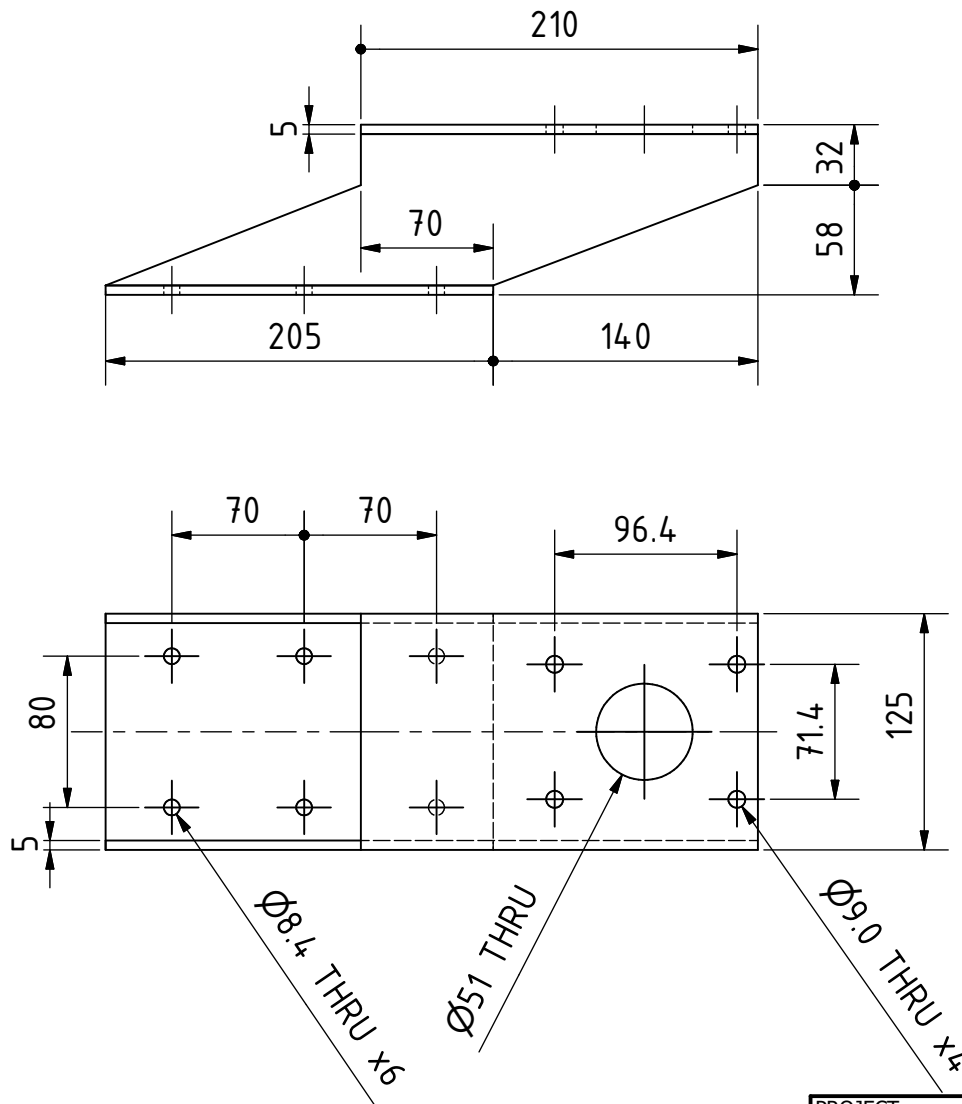
PROJECT		CREATED BY	APPROVED BY	DATE	VERSION
Vertical Drum Hemp Harvester		A. Morillo	D. Jaeger	22-05-2024	0.06
PART NAME		SPECIFICACIONES			CODE
Circular saws					3.0.0
DEVELOPED BY		REDESIGNED BY	FILENAME		QTY
Hanfasser			3.ipn		6
		LICENSE	DOC. TYPE	SCALE	SHEET
		CC-BY-SA 4.0	Assembly	2 : 15	162 /215



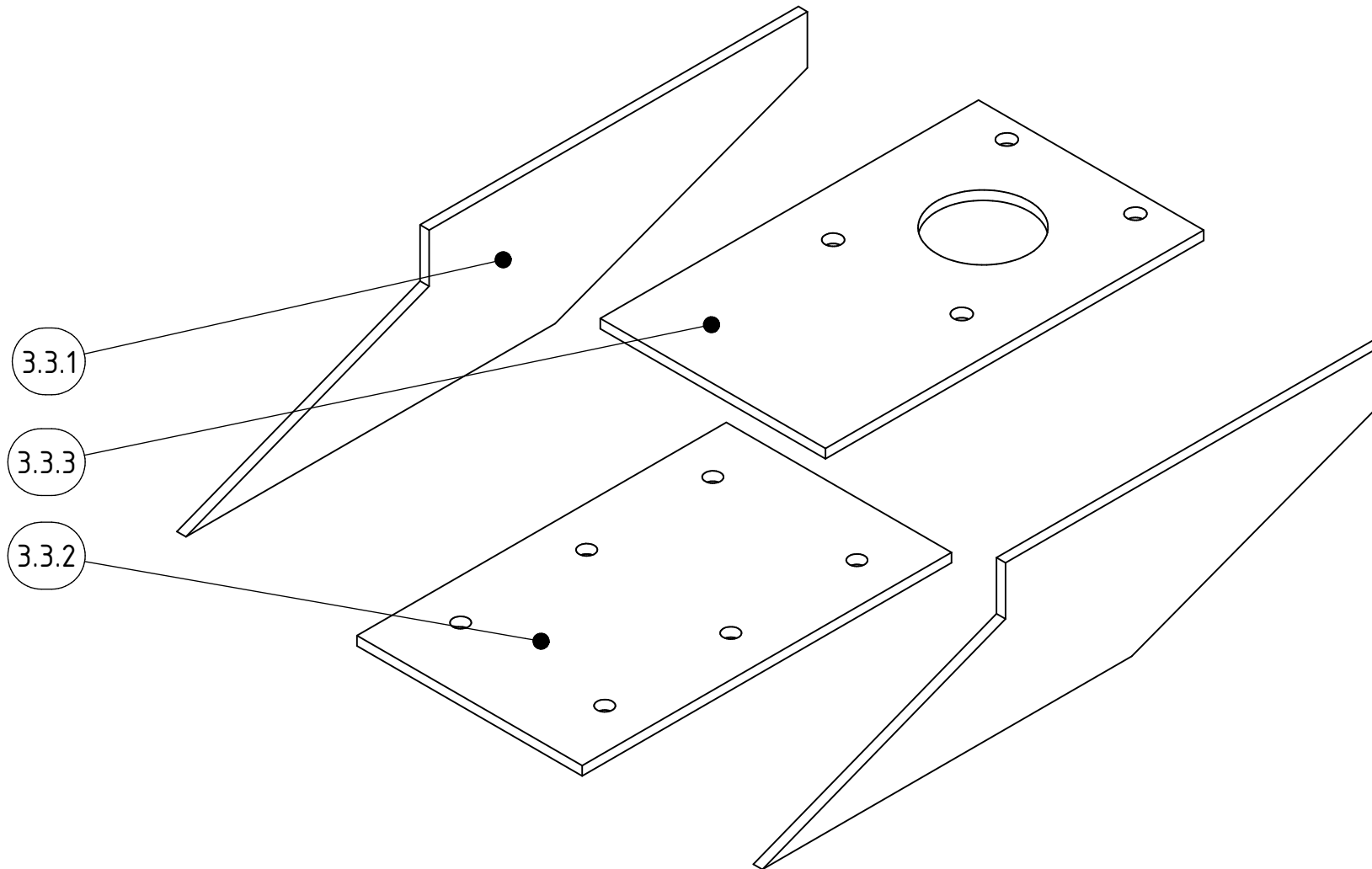
PROJECT		CREATED BY		APPROVED BY		DATE		VERSION	
Vertical Drum Hemp Harvester		A. Morillo		D. Jaeger		22-05-2024		0.06	
PART NAME			SPECIFICACIONES					CODE	
Circular saw fastening lower part			Steel 235J2					3.1.0	
DEVELOPED BY		REDESIGNED BY		FILENAME			QTY		
Hanfasser				3.1.ipt			6		
				LICENSE		DOC. TYPE		SCALE	
				CC-BY-SA 4.0		Part		1 : 2	
								163 /215	

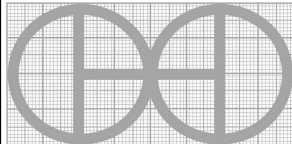


PROJECT	CREATED BY	APPROVED BY	DATE	VERSION
Vertical Drum Hemp Harvester	A. Morillo	D. Jaeger	22-05-2024	0.06
PART NAME	SPECIFICACIONES			CODE
Motor mounting plate	Steel 235J2			3.2.0
DEVELOPED BY	REDESIGNED BY	FILENAME		QTY
		3.2.ipt		6
		LICENSE	DOC. TYPE	SHEET
Hanfasser		CC-BY-SA 4.0	Part	164 /215
			SCALE	
			2 : 3	

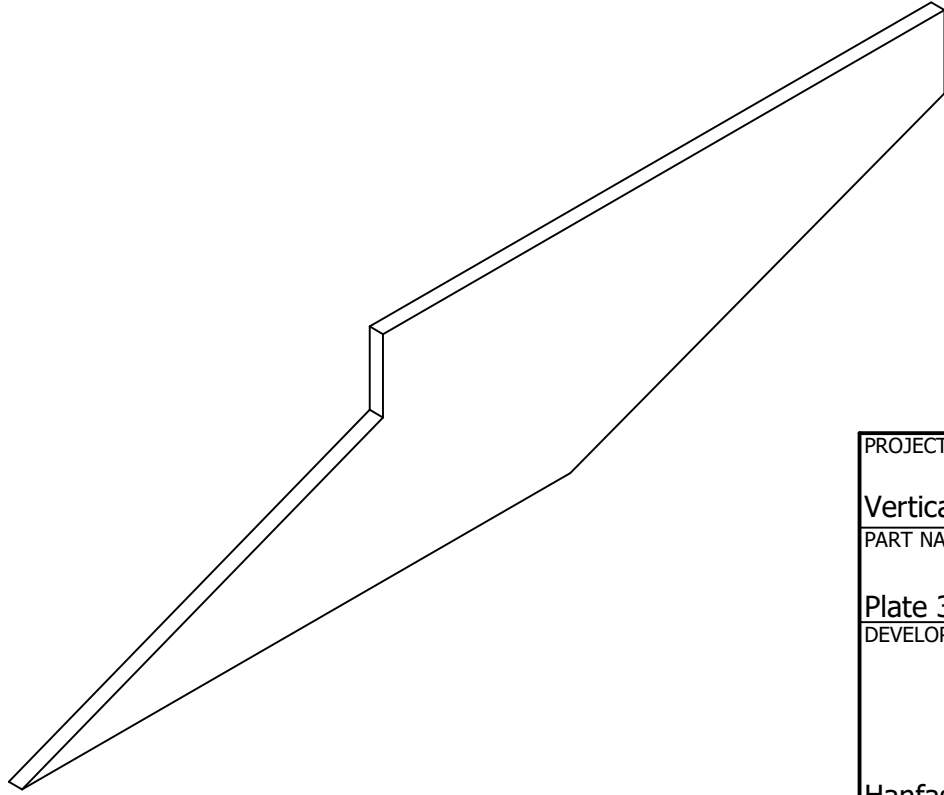
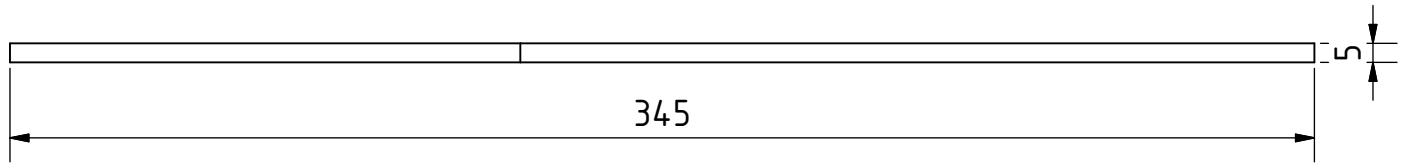
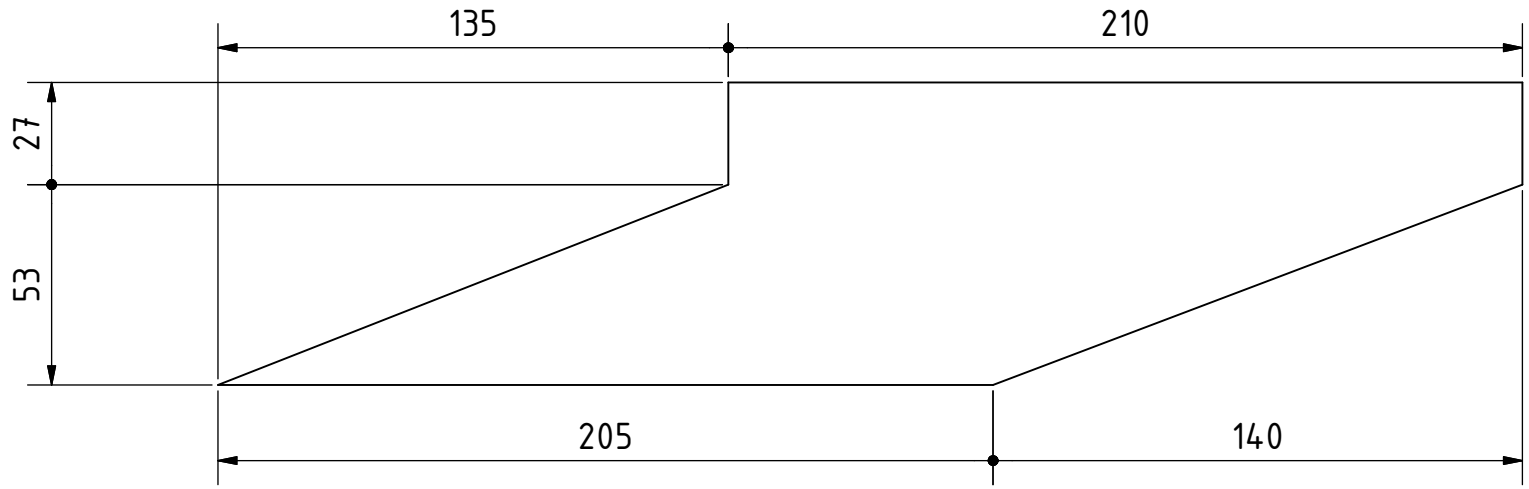


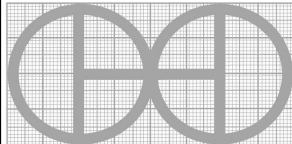
PROJECT	CREATED BY	APPROVED BY	DATE	VERSION
Vertical Drum Hemp Harvester	A. Morillo	D. Jaeger	22-05-2024	0.06
PART NAME	SPECIFICACIONES			CODE
Console for circular saw	Steel 235J2			3.3.0
DEVELOPED BY	REDESIGNED BY	FILENAME		QTY
		3.3.iam		6
		LICENSE	DOC. TYPE	SCALE
		CC-BY-SA 4.0	Assembly	1 : 4
Hanfasser				165 /215



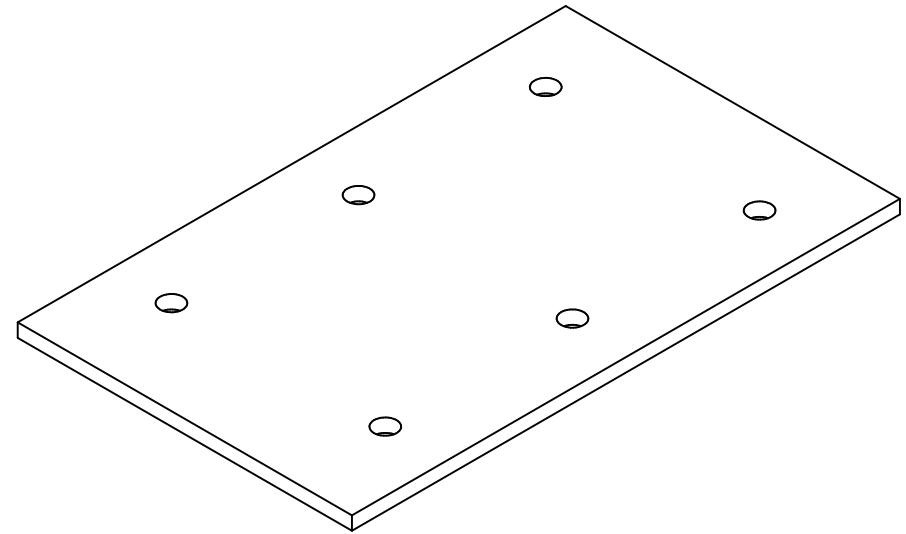
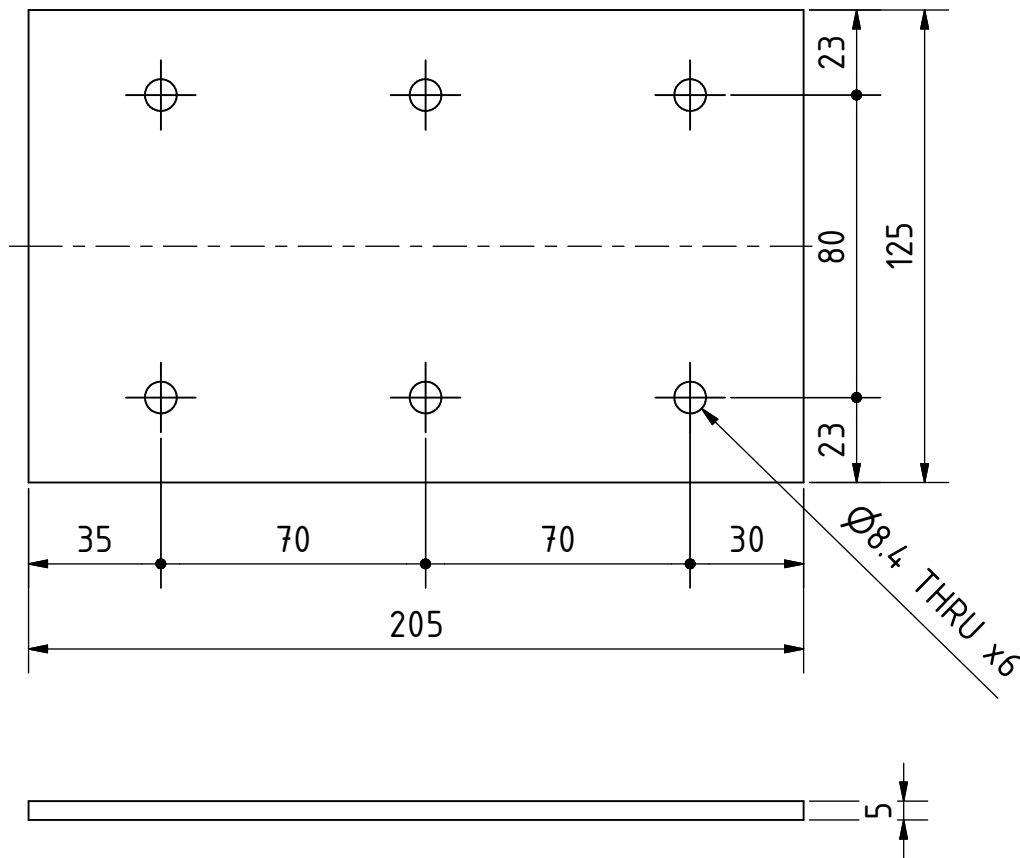
PROJECT	CREATED BY	APPROVED BY	DATE	VERSION	
Vertical Drum Hemp Harvester	A. Morillo	D. Jaeger	22-05-2024	0.06	
PART NAME	SPECIFICACIONES			CODE	
Console for circular saw	Steel 235J2			3.3.0	
DEVELOPED BY	REDESIGNED BY	FILENAME		QTY	
Hanfasser		3.3.ipn		6	
		LICENSE	DOC. TYPE	SCALE	SHEET
		CC-BY-SA 4.0	Assembly	2 : 5	166 /215

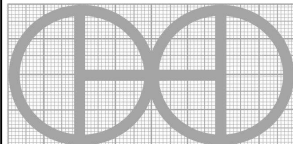
OHO e.V.

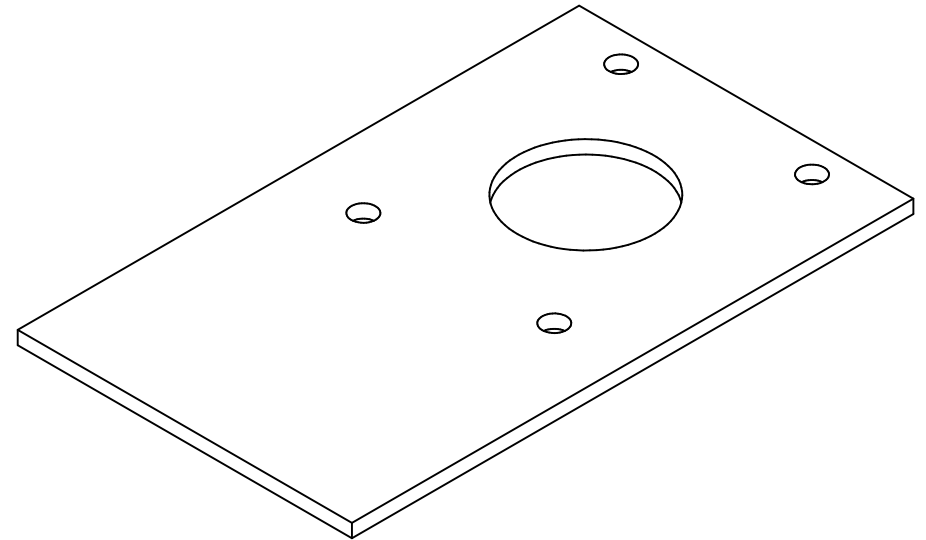
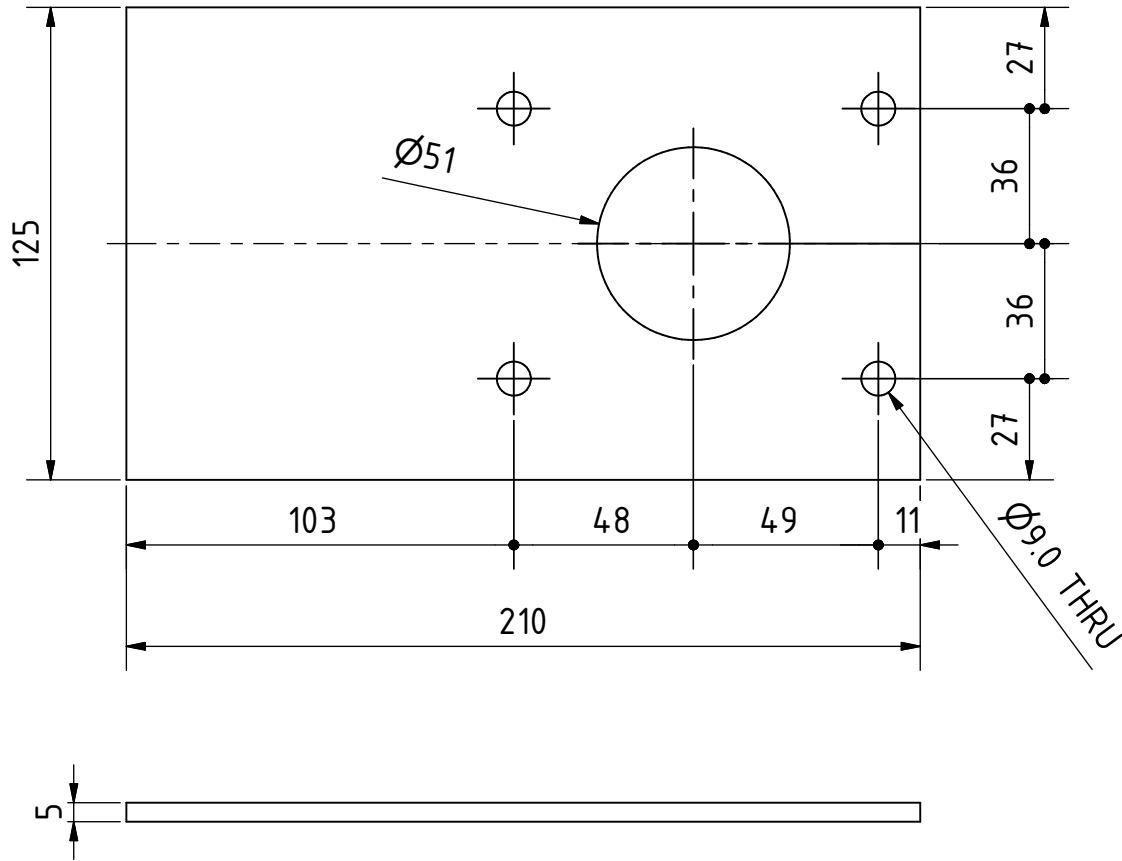


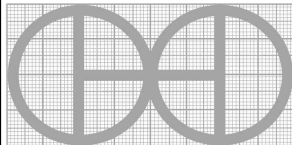
PROJECT	CREATED BY	APPROVED BY	DATE	VERSION	
Vertical Drum Hemp Harvester	A. Morillo	D. Jaeger	22-05-2024	0.06	
PART NAME	SPECIFICACIONES			CODE	
Plate 3.3.1	Steel 235J2			3.3.1	
DEVELOPED BY	REDESIGNED BY	FILENAME		QTY	
Hanfasser		3.3.1.ipt		12	
		LICENSE	DOC. TYPE	SCALE	SHEET
		CC-BY-SA 4.0	Part	1 : 2	167 /215

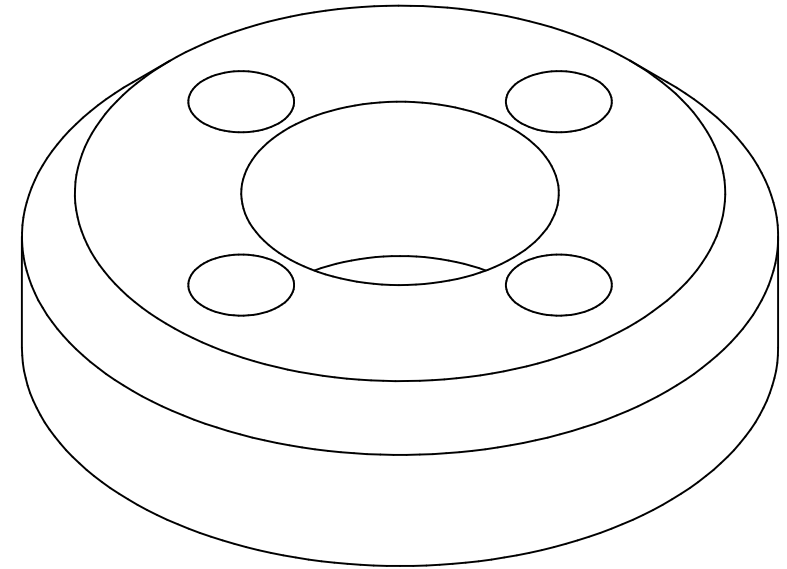
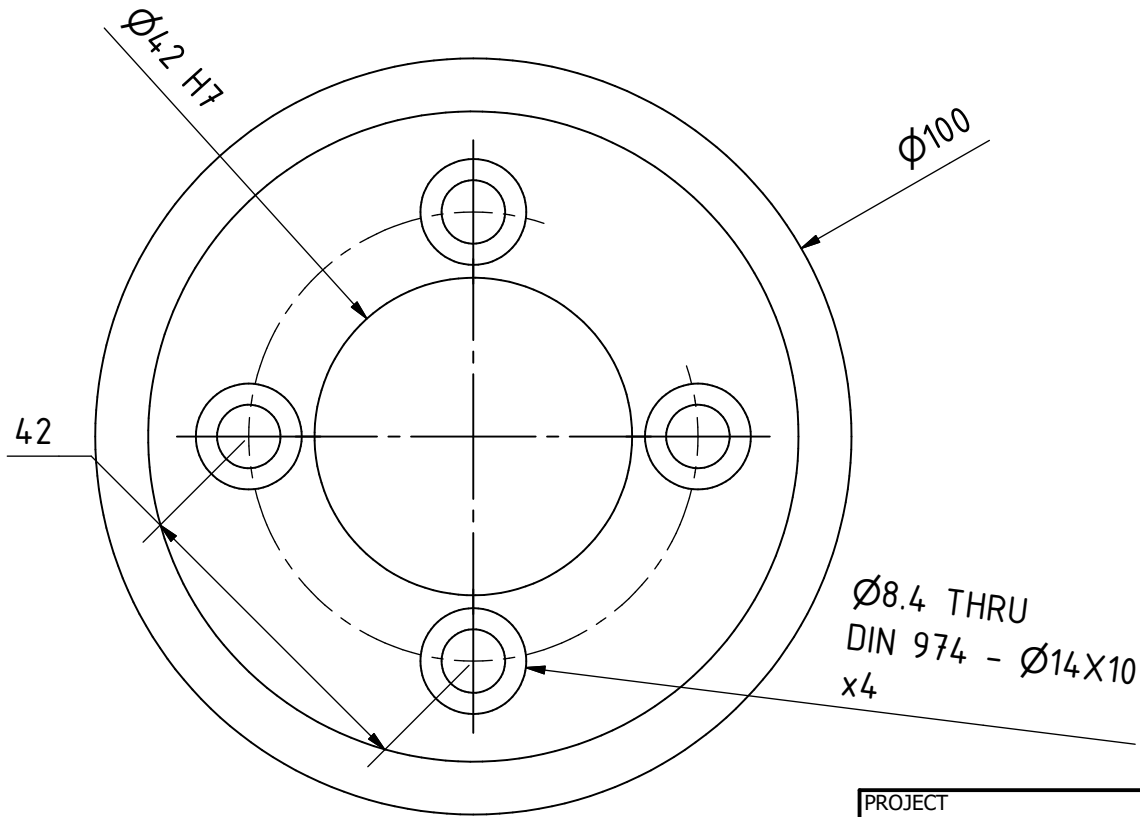
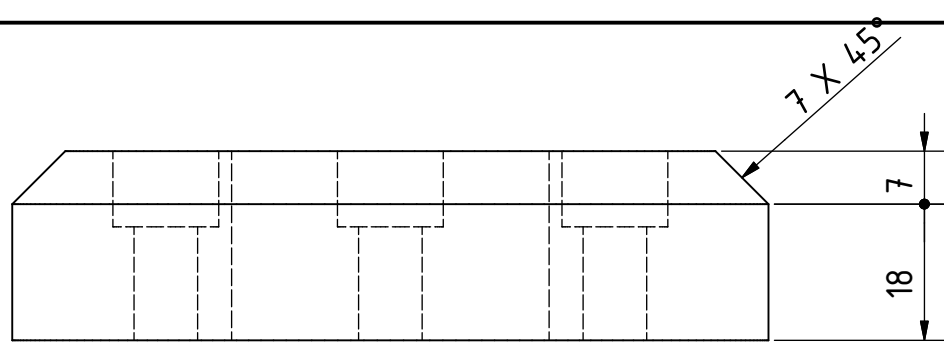
OHO e.V.

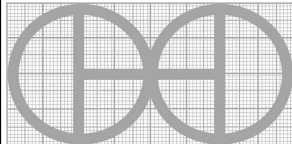


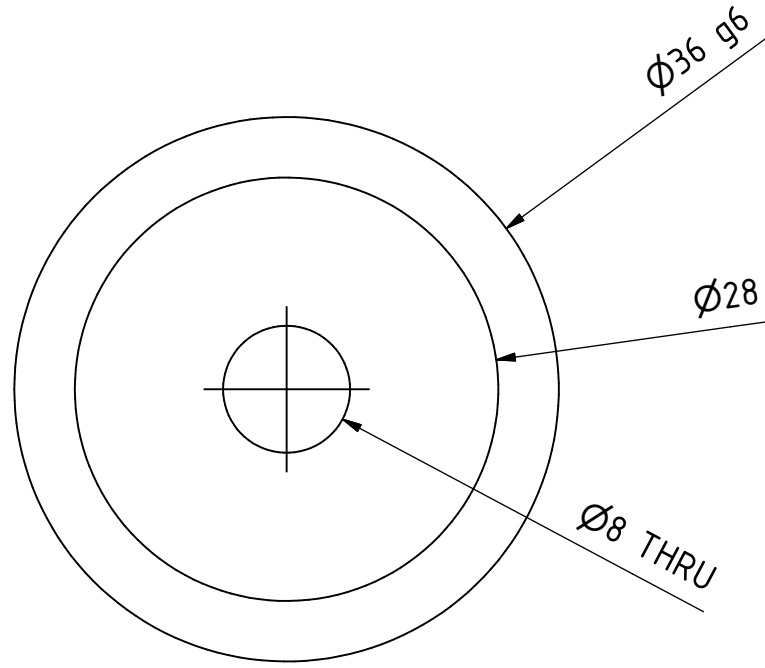
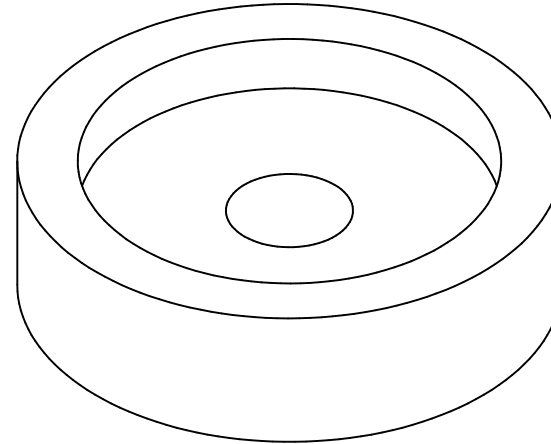
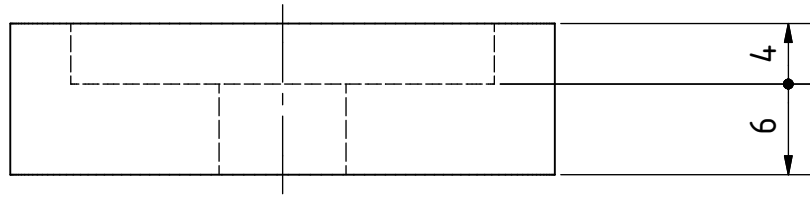
PROJECT	CREATED BY	APPROVED BY	DATE	VERSION	
Vertical Drum Hemp Harvester	A. Morillo	D. Jaeger	22-05-2024	0.06	
PART NAME	SPECIFICACIONES			CODE	
Plate 3.3.2	Steel 235J2			3.3.2	
DEVELOPED BY	REDESIGNED BY	FILENAME		QTY	
Hanfasser		3.3.2.ipt		6	
		LICENSE	DOC. TYPE	SCALE	SHEET
		CC-BY-SA 4.0	Part	1 : 2	168 /215

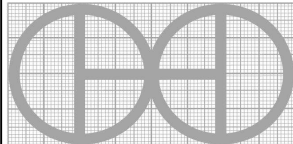


PROJECT	CREATED BY	APPROVED BY	DATE	VERSION
Vertical Drum Hemp Harvester	A. Morillo	D. Jaeger	22-05-2024	0.06
PART NAME	SPECIFICACIONES			CODE
Plate 3.3.3	Steel 235J2			3.3.3
DEVELOPED BY	REDESIGNED BY	FILENAME		QTY
		3.3.3.ipt		6
Hanfasser		LICENSE	DOC. TYPE	SCALE
		CC-BY-SA 4.0	Part	1 : 2
				SHEET
				169 /215

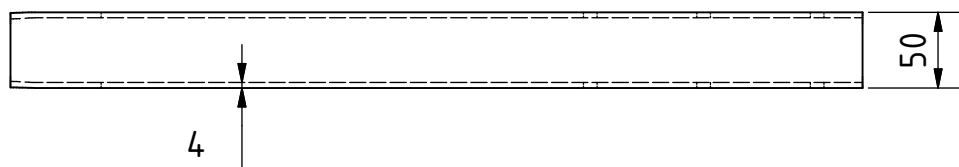
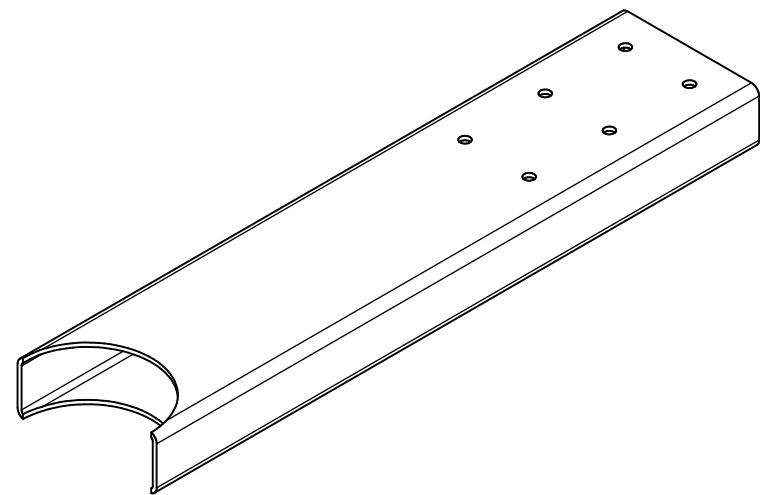
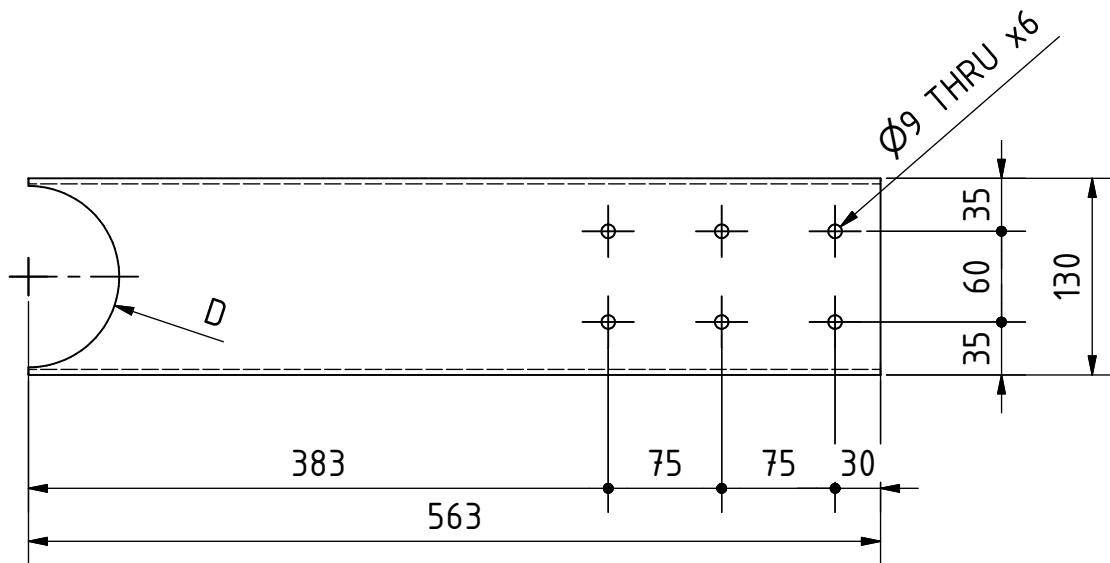


PROJECT	CREATED BY	APPROVED BY	DATE	VERSION
Vertical Drum Hemp Harvester	A. Morillo	D. Jaeger	22-05-2024	0.06
PART NAME	SPECIFICACIONES			CODE
Circular saw attachment upper part	Steel 235J2			3.4.0
DEVELOPED BY	REDESIGNED BY	FILENAME		QTY
		3.4.ipt		6
Hanfasser		LICENSE	DOC. TYPE	SCALE
		CC-BY-SA 4.0	Part	1 : 1
				SHEET
				170 /215

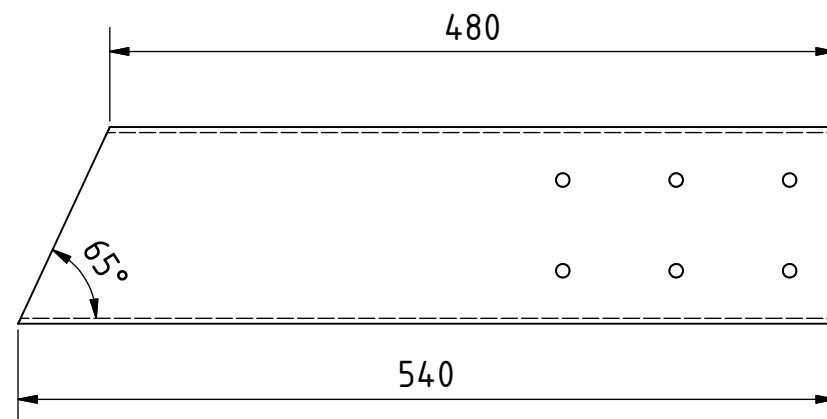


PROJECT	CREATED BY	APPROVED BY	DATE	VERSION	
Vertical Drum Hemp Harvester	A. Morillo	D. Jaeger	22-05-2024	0.06	
PART NAME	SPECIFICACIONES			CODE	
U Washer	Steel 235J2			3.5.0	
DEVELOPED BY	REDESIGNED BY	FILENAME		QTY	
Hanfasser		3.5.ipt		6	
		LICENSE	DOC. TYPE	SCALE	SHEET
		CC-BY-SA 4.0	Part	2 : 1	171 /215

OHO e.V.

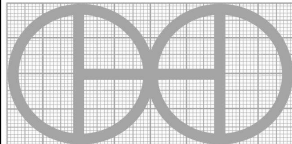


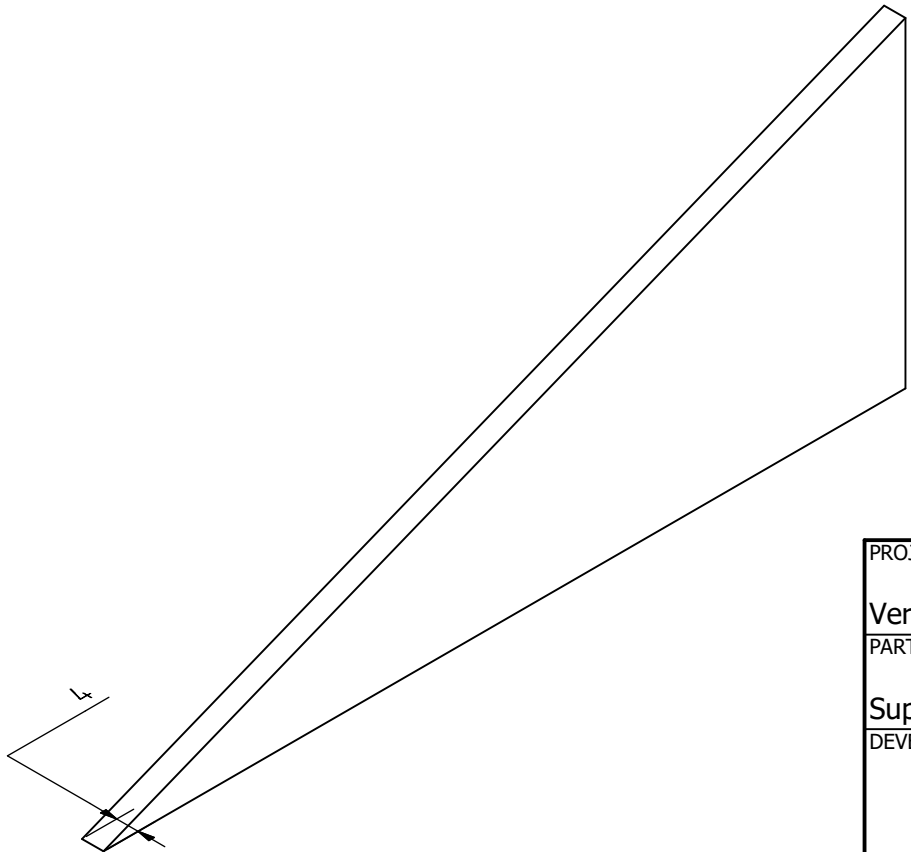
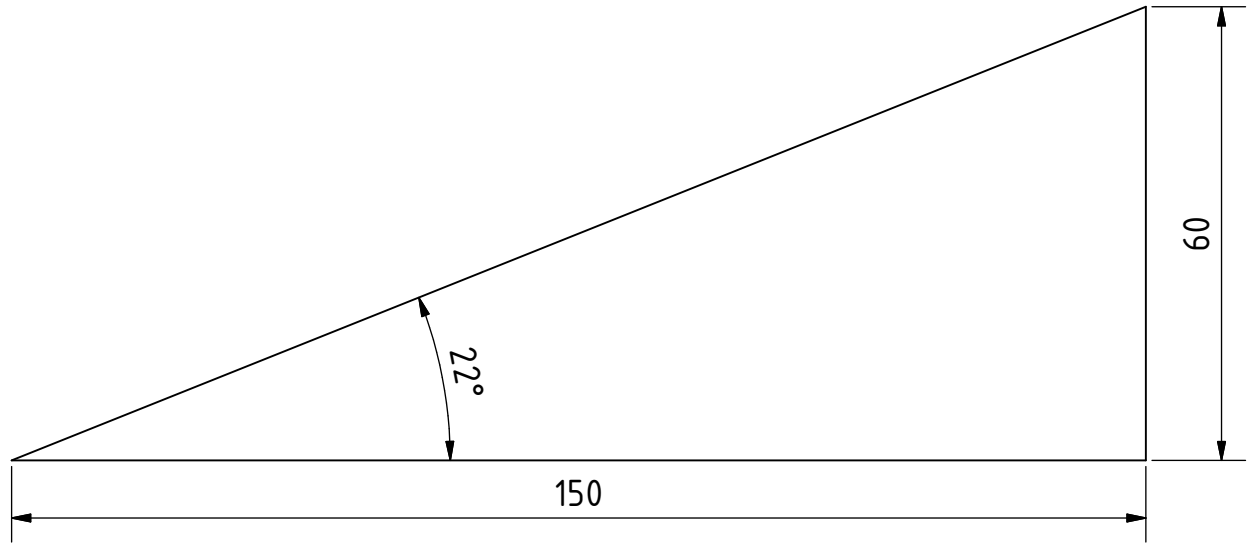
Version for top saw

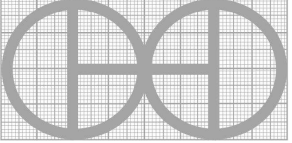


Size table

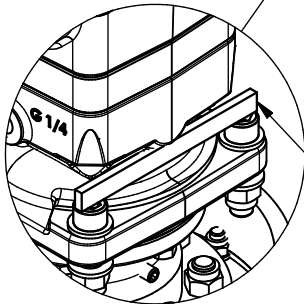
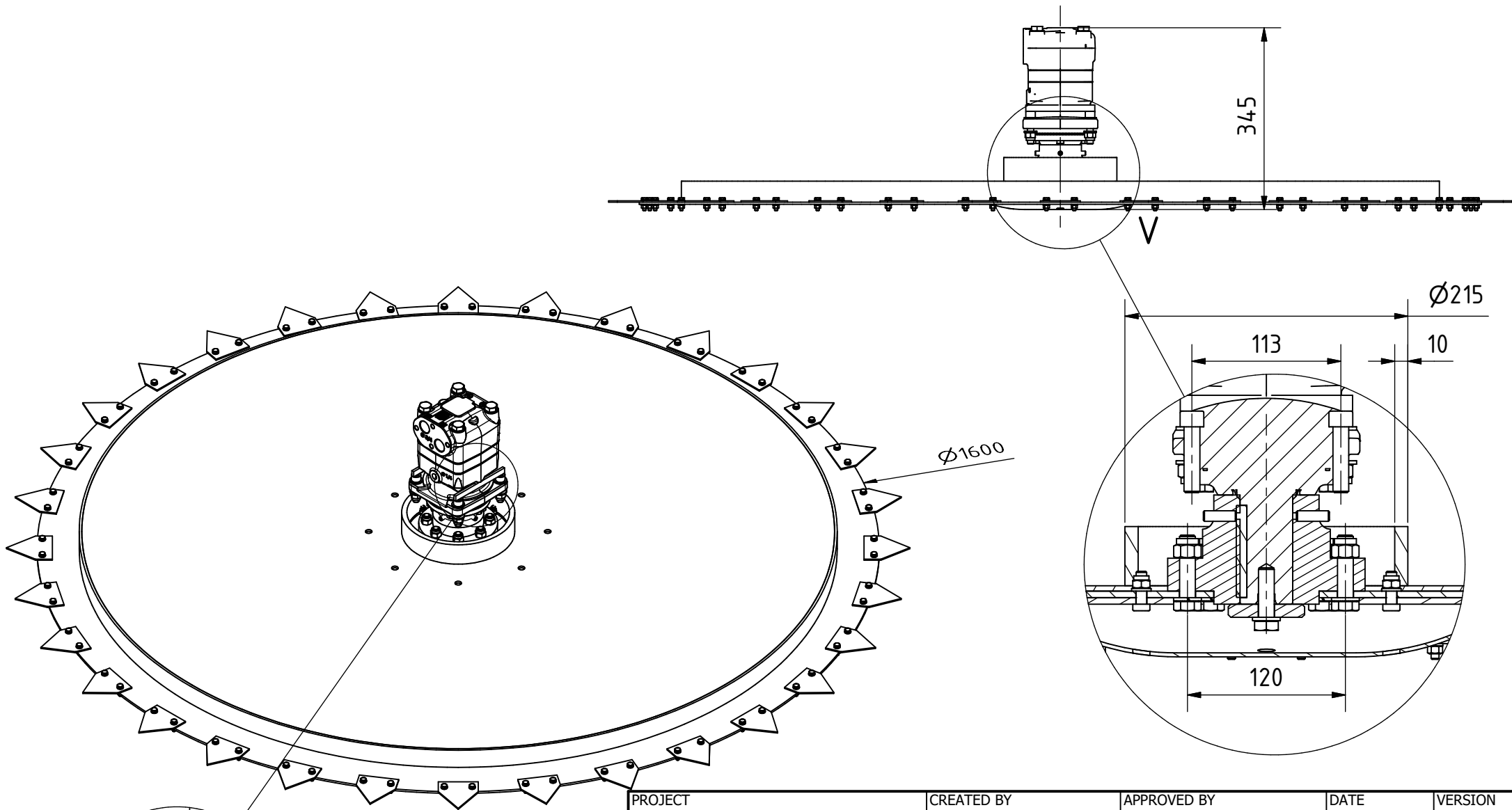
Saw	D [mm]
Bottom	220
Center	120
Top	-

PROJECT	CREATED BY	APPROVED BY	DATE	VERSION
Vertical Drum Hemp Harvester	A. Morillo	D. Jaeger	22-05-2024	0.06
PART NAME	SPECIFICACIONES			CODE
Saw support	Rectangle profile 130*50*4 mm			3.21.0
DEVELOPED BY	REDESIGNED BY	FILENAME		QTY
		3.21.ipt		1
		LICENSE	DOC. TYPE	SCALE
		CC-BY-SA 4.0	Part	1 : 5
Hanfasser				172 /215

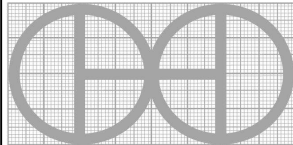


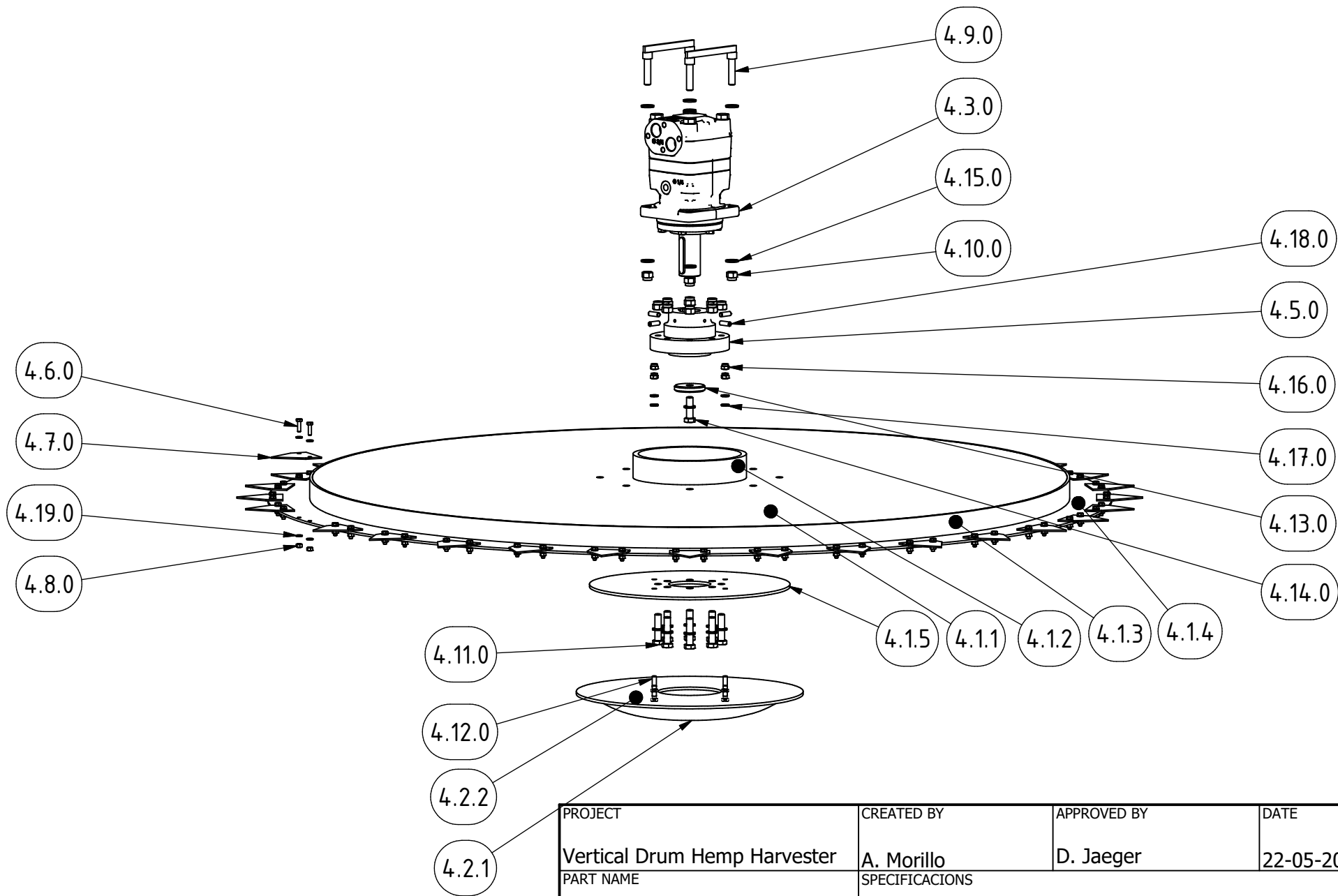
PROJECT	CREATED BY	APPROVED BY	DATE	VERSION	
Vertical Drum Hemp Harvester	A. Morillo	D. Jaeger	22-05-2024	0.06	
PART NAME	SPECIFICACIONES			CODE	
Support reinforcement	Steel 235J2			3.22.0	
DEVELOPED BY	REDESIGNED BY	FILENAME		QTY	
Hanfasser		3.22.ipt		2	
		LICENSE	DOC. TYPE	SCALE	SHEET
		CC-BY-SA 4.0	Part	1 : 1	173 /215

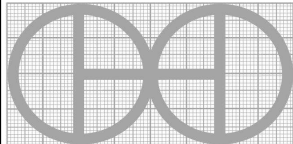
OHO e.v.



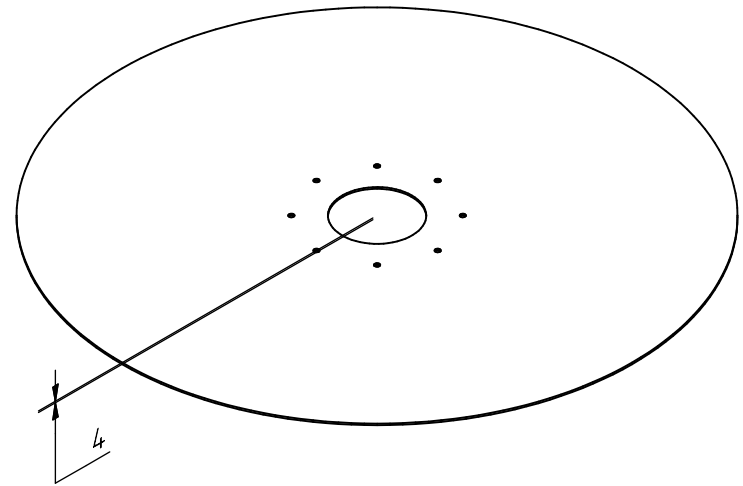
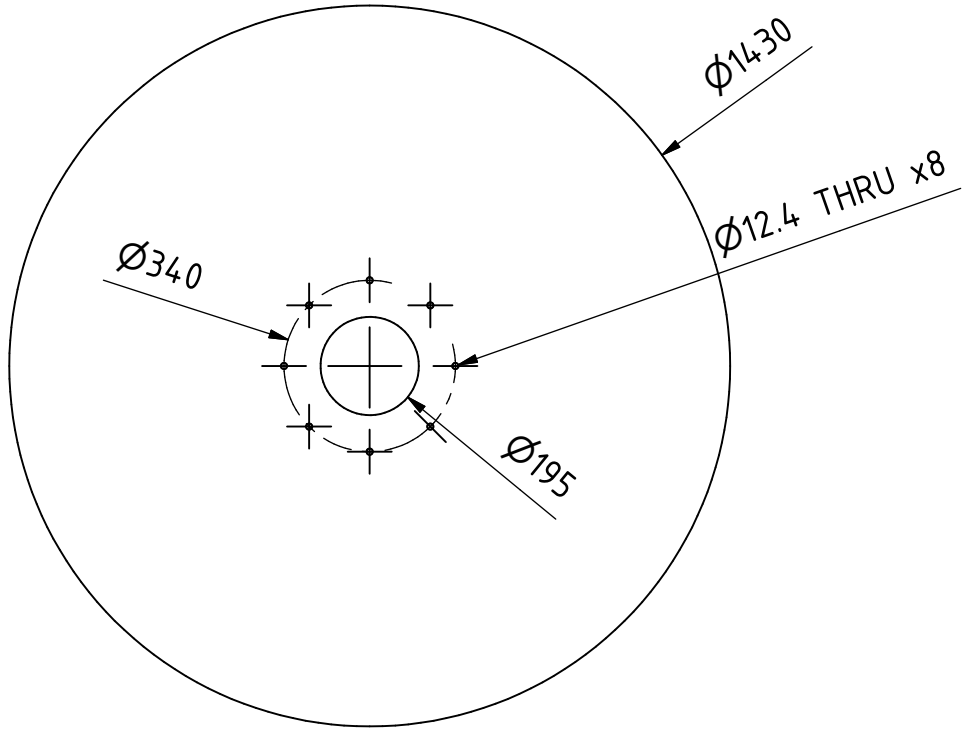
2 bolts pairs welded with flat bars to lock rotation and easier assembly

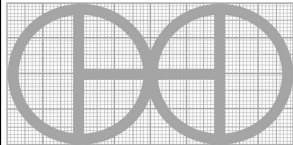
PROJECT		CREATED BY		APPROVED BY		DATE		VERSION		
Vertical Drum Hemp Harvester		A. Morillo		D. Jaeger		22-05-2024		0.06		
PART NAME		SPECIFICACIONES								CODE
Mowing knife discs										4.0.0
DEVELOPED BY		REDESIGNED BY		FILENAME		SCALE		QTY		
Hanfasser				4.iam		1 : 10		2		
		OHO e.v.		LICENSE		DOC. TYPE		SHEET		
		CC-BY-SA 4.0		Assembly		174 / 215				

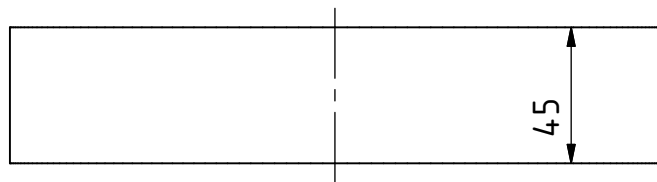
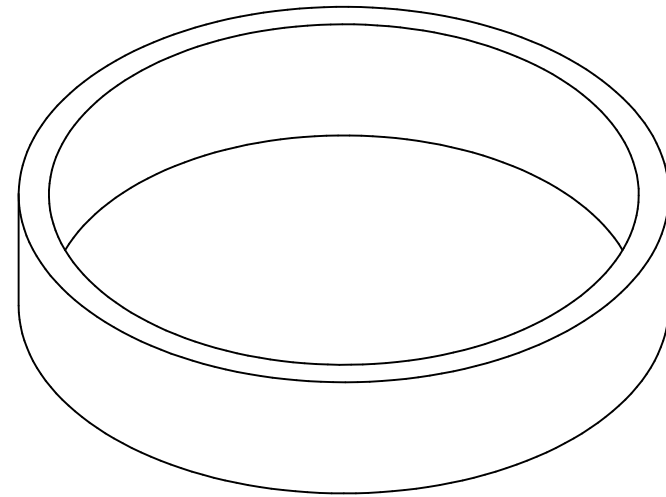
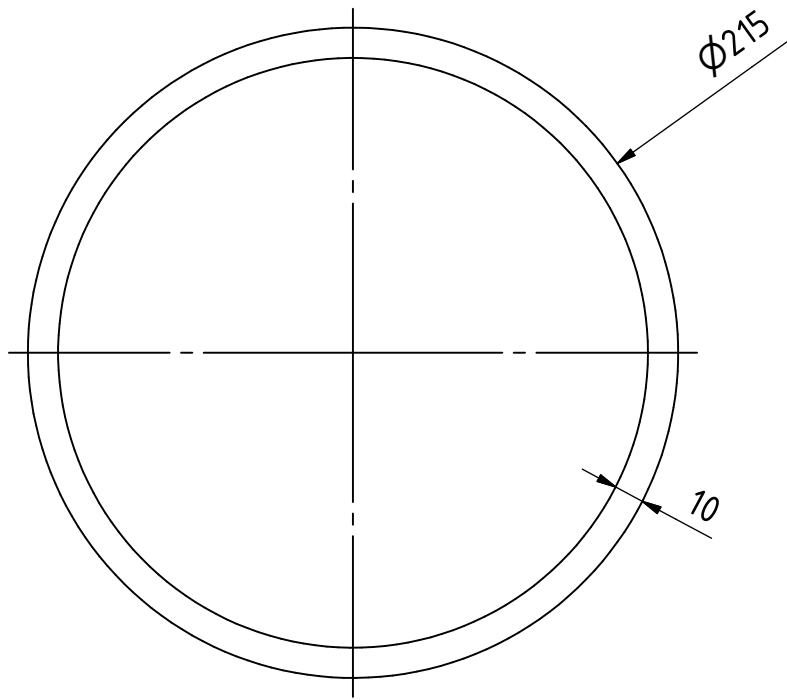


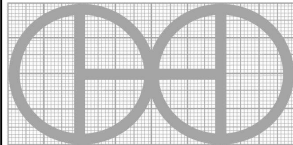
PROJECT	CREATED BY	APPROVED BY	DATE	VERSION
Vertical Drum Hemp Harvester	A. Morillo	D. Jaeger	22-05-2024	0.06
PART NAME	SPECIFICACIONES			CODE
Mowing knife discs				4.0.0
DEVELOPED BY	REDESIGNED BY	FILENAME	QTY	
		4.ipn	2	
		LICENSE	DOC. TYPE	SCALE
Hanfasser		CC-BY-SA 4.0	Assembly	1 : 10
			SHEET	175 /215

OHO e.V.

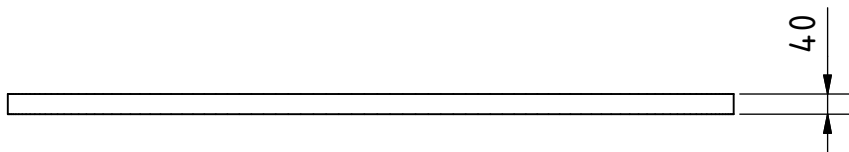
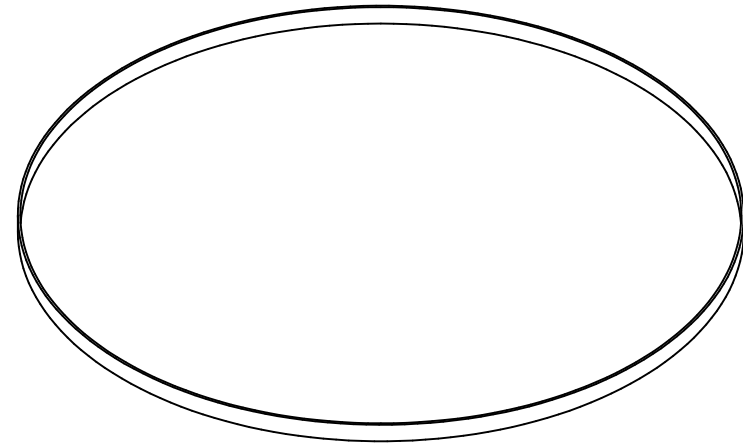
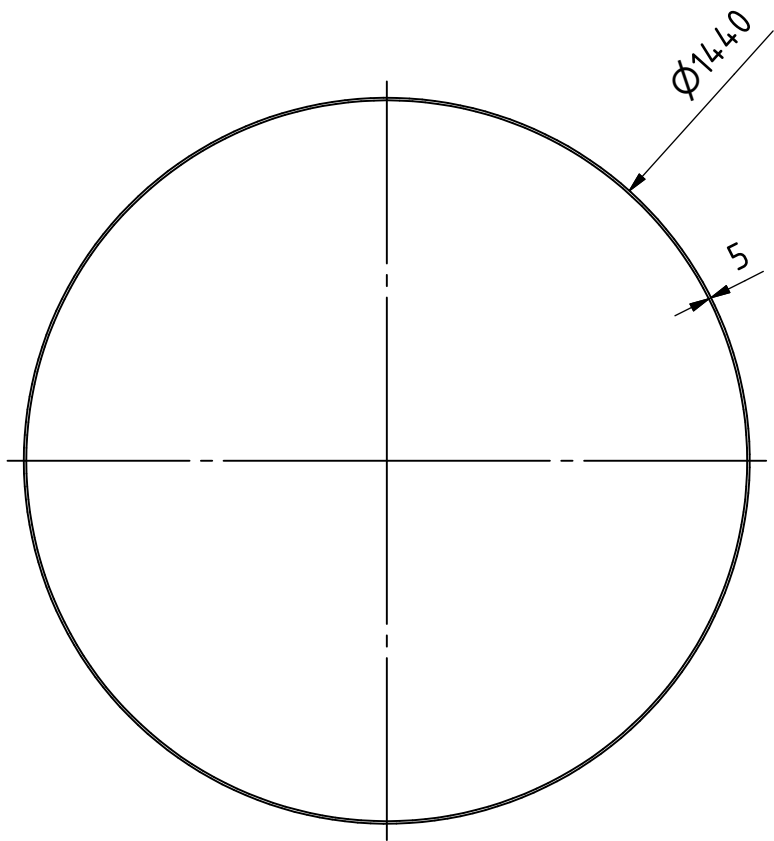


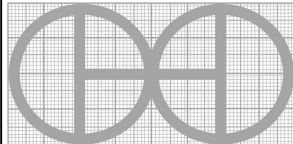
PROJECT	CREATED BY	APPROVED BY	DATE	VERSION	
Vertical Drum Hemp Harvester	A. Morillo	D. Jaeger	22-05-2024	0.06	
PART NAME	SPECIFICACIONES			CODE	
Part 4.1.1	Steel 235J2			4.1.1	
DEVELOPED BY	REDESIGNED BY	FILENAME		QTY	
Hanfasser		4.1.2.ipt		1	
		LICENSE	DOC. TYPE	SCALE	SHEET
		CC-BY-SA 4.0	Part	1 : 15	176 /215



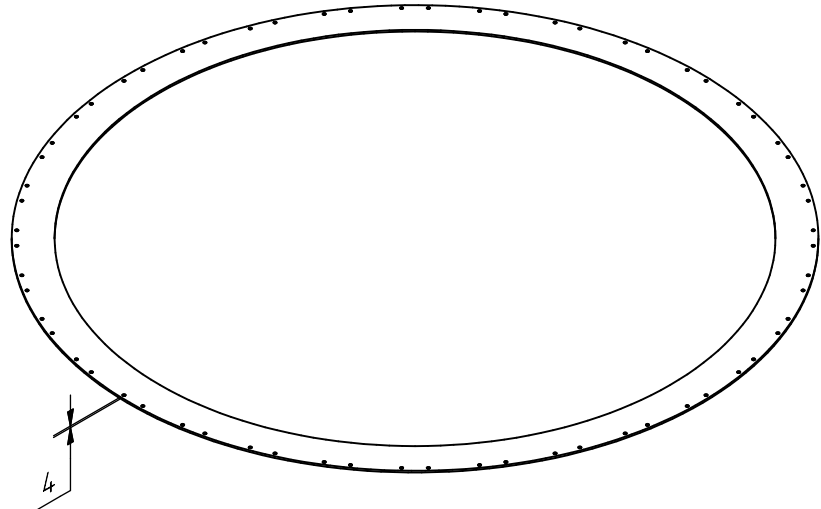
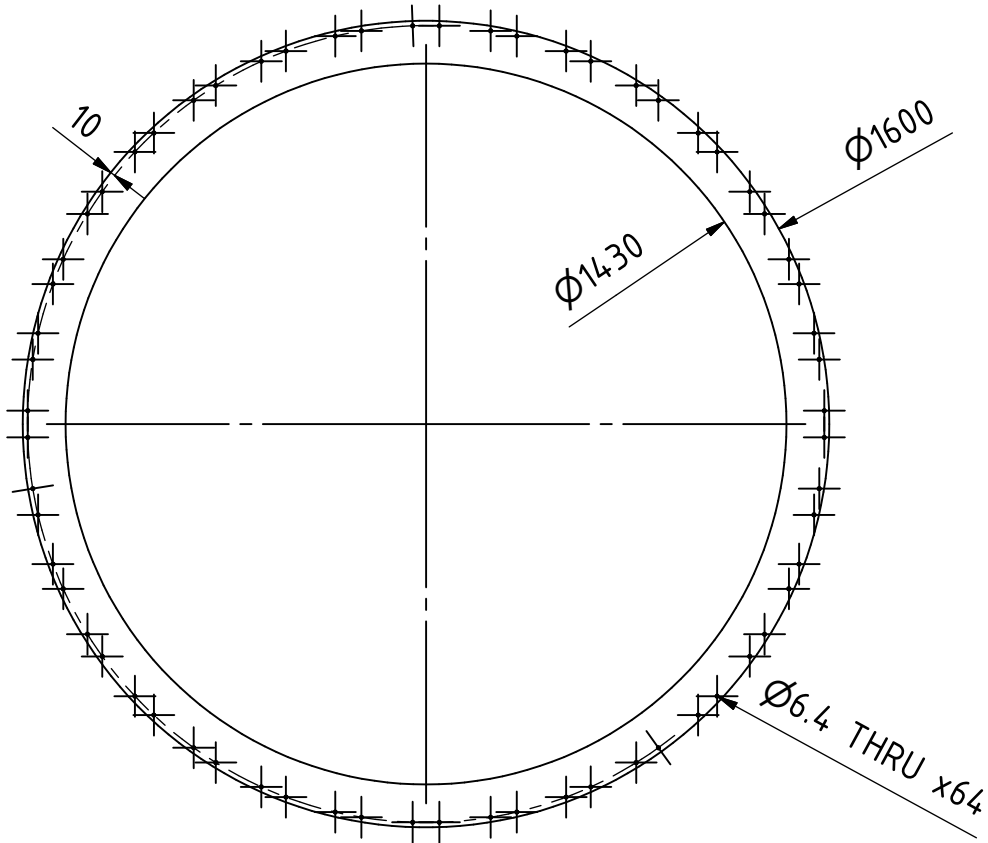
PROJECT	CREATED BY	APPROVED BY	DATE	VERSION	
Vertical Drum Hemp Harvester	A. Morillo	D. Jaeger	22-05-2024	0.06	
PART NAME	SPECIFICACIONES			CODE	
Part 4.1.2	Steel 235J2			4.1.2	
DEVELOPED BY	REDESIGNED BY	FILENAME		QTY	
Hanfasser		4.1.3.ipt		1	
		LICENSE	DOC. TYPE	SCALE	SHEET
		CC-BY-SA 4.0	Part	2 : 5	177 /215

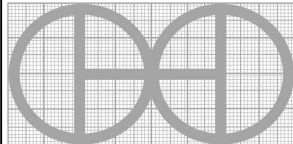
OHO e.V.

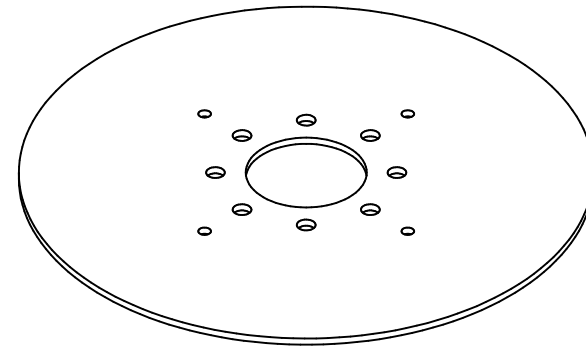
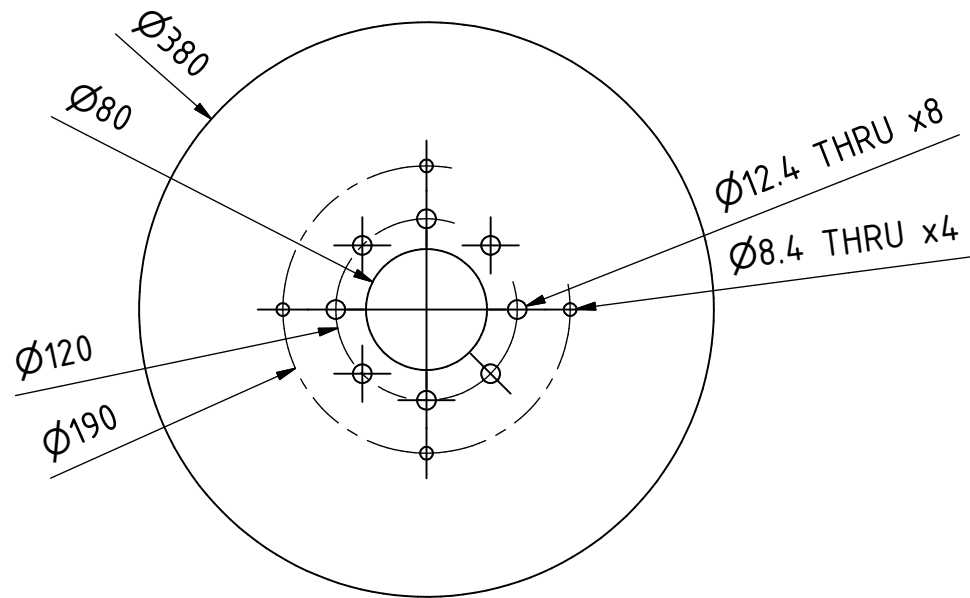


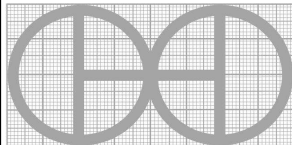
PROJECT	CREATED BY	APPROVED BY	DATE	VERSION	
Vertical Drum Hemp Harvester	A. Morillo	D. Jaeger	22-05-2024	0.06	
PART NAME	SPECIFICACIONES			CODE	
Part 4.1.3	Flat bar 40*5 mm			4.1.3	
DEVELOPED BY	REDESIGNED BY	FILENAME		QTY	
Hanfasser		4.1.4.ipt		1	
		LICENSE	DOC. TYPE	SCALE	SHEET
		CC-BY-SA 4.0	Part	1 : 15	178 /215

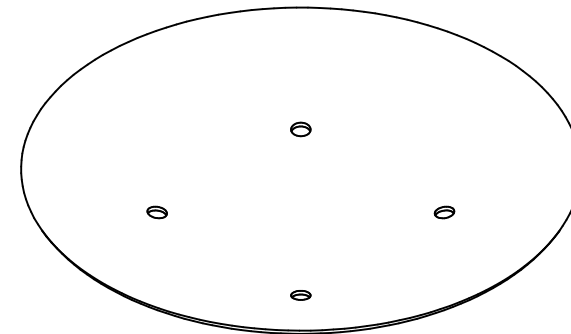
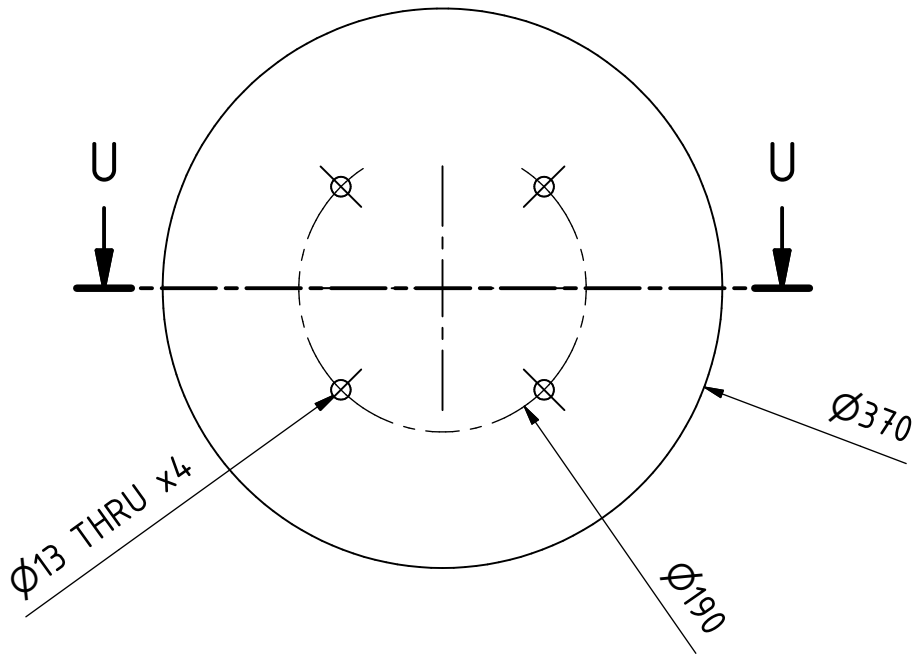
OHO e.V.



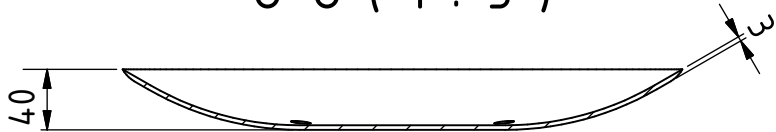
PROJECT		CREATED BY		APPROVED BY		DATE		VERSION	
Vertical Drum Hemp Harvester		A. Morillo		D. Jaeger		22-05-2024		0.06	
PART NAME		SPECIFICACIONES						CODE	
Part 4.1.4		Steel 235J2						4.1.4	
DEVELOPED BY		REDESIGNED BY		FILENAME				QTY	
Hanfasser				4.1.5.ipt				1	
				LICENSE		DOC. TYPE		SCALE	
				CC-BY-SA 4.0		Part		1 : 15	
								179 /215	

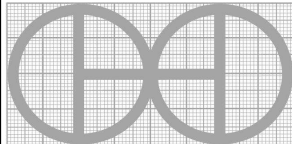


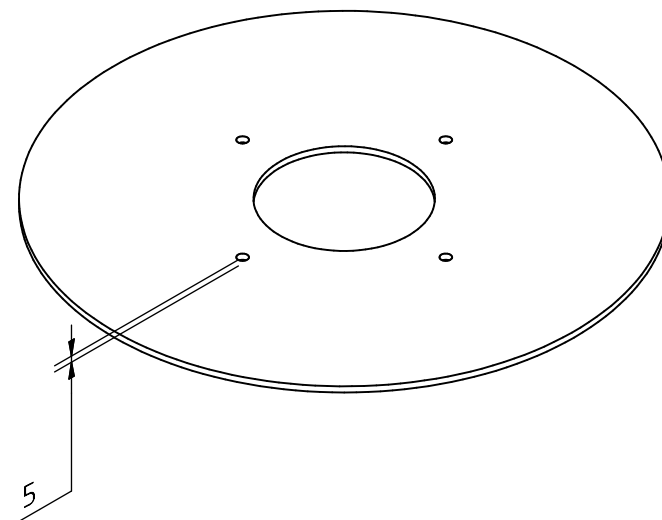
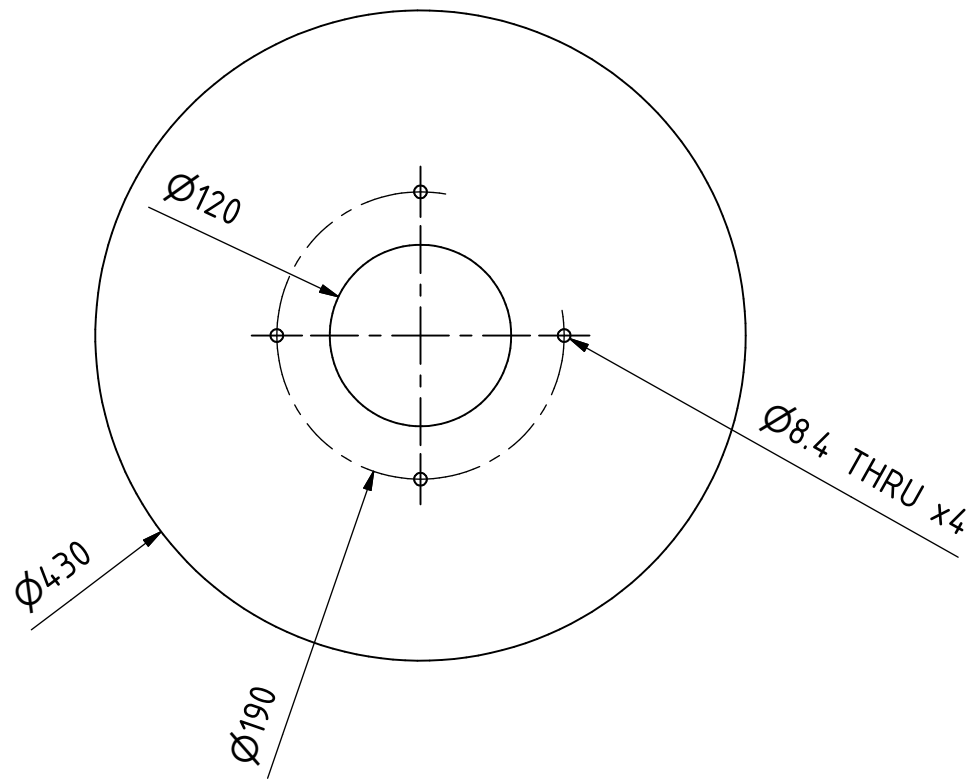
PROJECT	CREATED BY	APPROVED BY	DATE	VERSION	
Vertical Drum Hemp Harvester	A. Morillo	D. Jaeger	22-05-2024	0.06	
PART NAME	SPECIFICACIONES			CODE	
Part 4.1.5	Steel 235J2			4.1.5	
DEVELOPED BY	REDESIGNED BY	FILENAME		QTY	
Hanfasser		4.1.1.ipt		1	
		LICENSE	DOC. TYPE	SCALE	SHEET
		CC-BY-SA 4.0	Part	1 : 5	180 /215

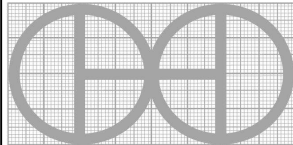


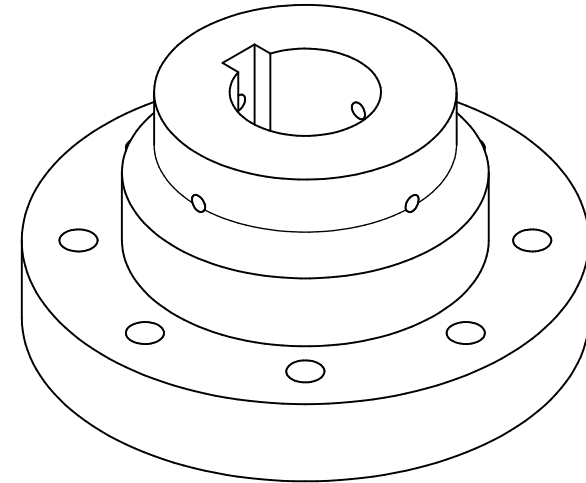
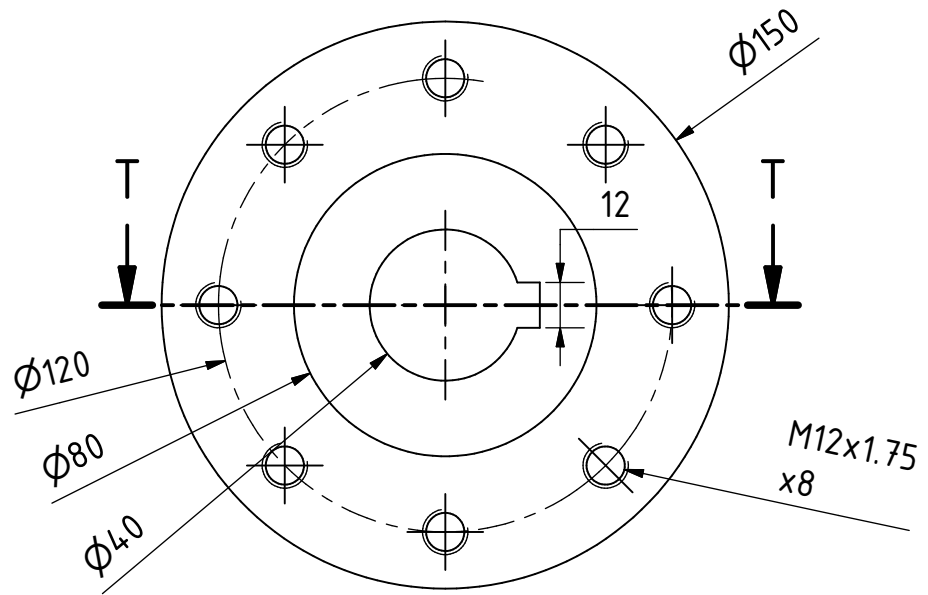
U-U (1 : 5)



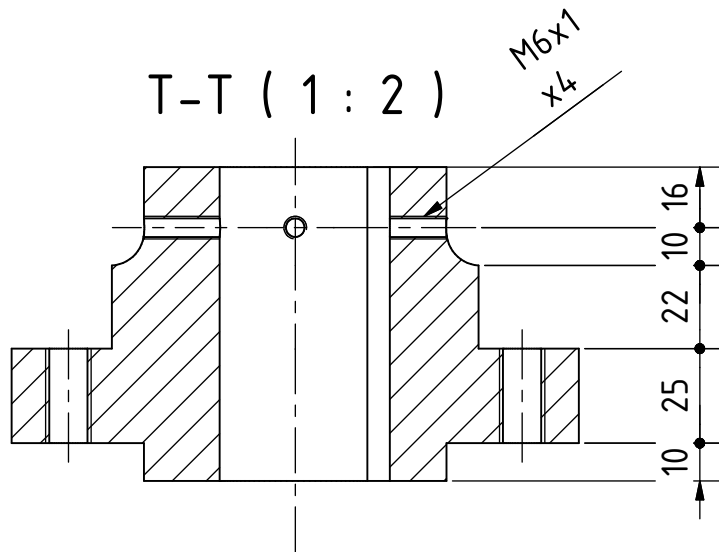
PROJECT	CREATED BY	APPROVED BY	DATE	VERSION	
Vertical Drum Hemp Harvester	A. Morillo	D. Jaeger	22-05-2024	0.06	
PART NAME	SPECIFICACIONES			CODE	
Part 4.2.1	Steel 235J2			4.2.1	
DEVELOPED BY	REDESIGNED BY	FILENAME		QTY	
Hanfasser		4.1.6.ipt		1	
		LICENSE	DOC. TYPE	SCALE	SHEET
		CC-BY-SA 4.0	Part	1 : 5	181 /215

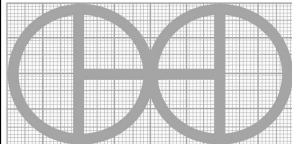


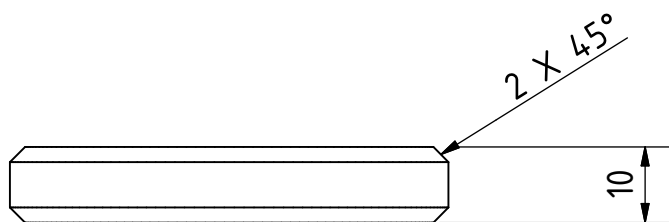
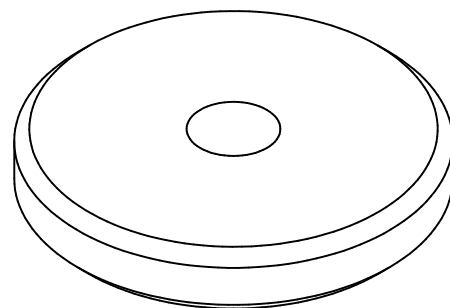
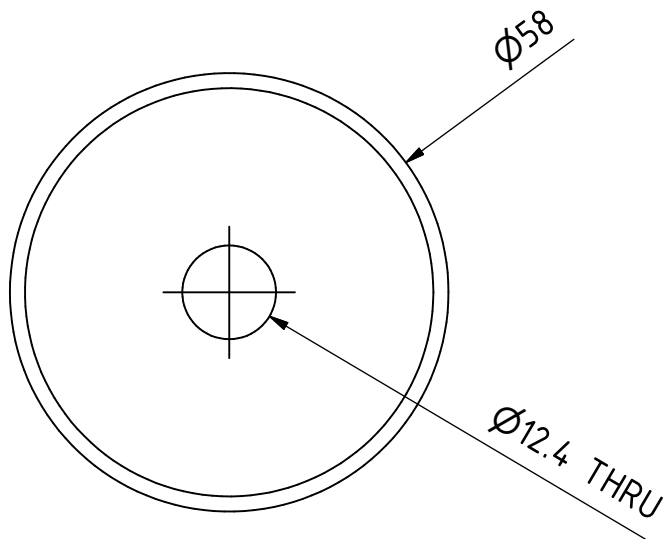
PROJECT	CREATED BY	APPROVED BY	DATE	VERSION	
Vertical Drum Hemp Harvester	A. Morillo	D. Jaeger	22-05-2024	0.06	
PART NAME	SPECIFICACIONES			CODE	
Part 4.2.2	Steel 235J2			4.2.2	
DEVELOPED BY	REDESIGNED BY	FILENAME		QTY	
Hanfasser		4.1.7.ipt		1	
		LICENSE	DOC. TYPE	SCALE	SHEET
		CC-BY-SA 4.0	Part	1 : 5	182 /215

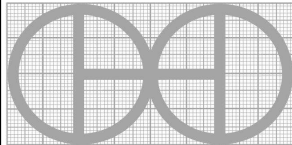


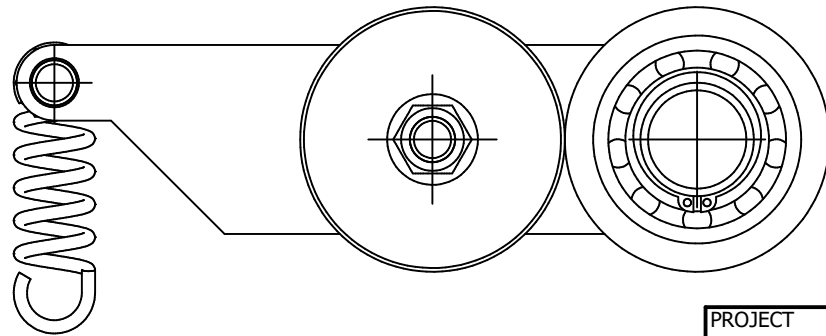
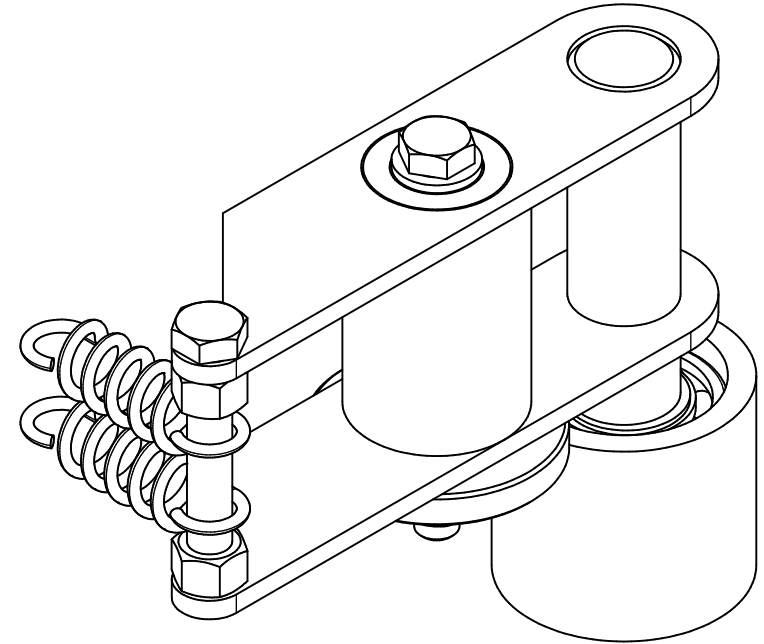
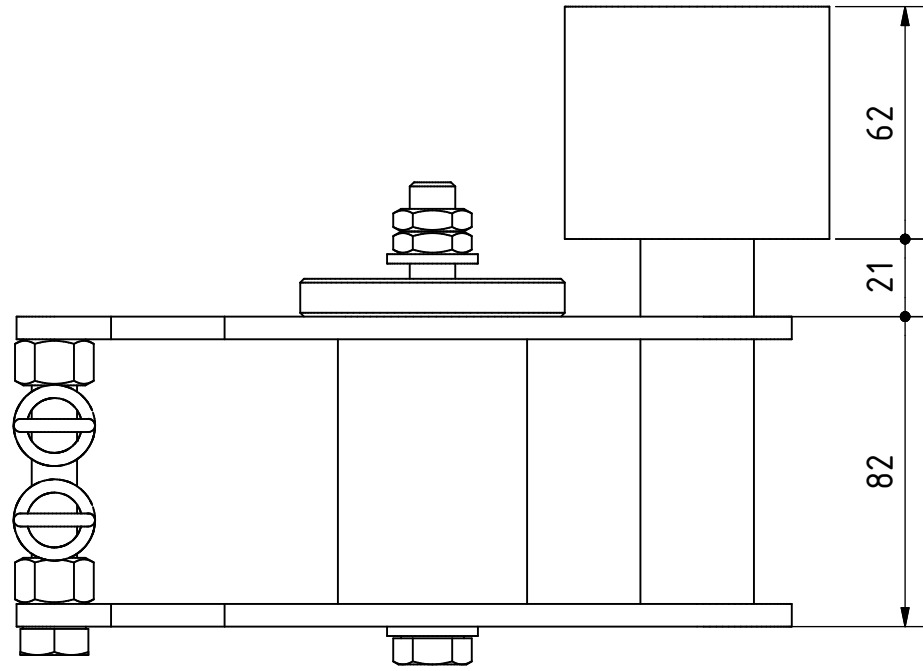
T-T (1 : 2)

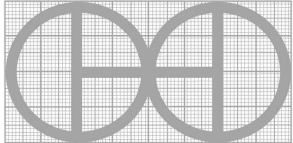


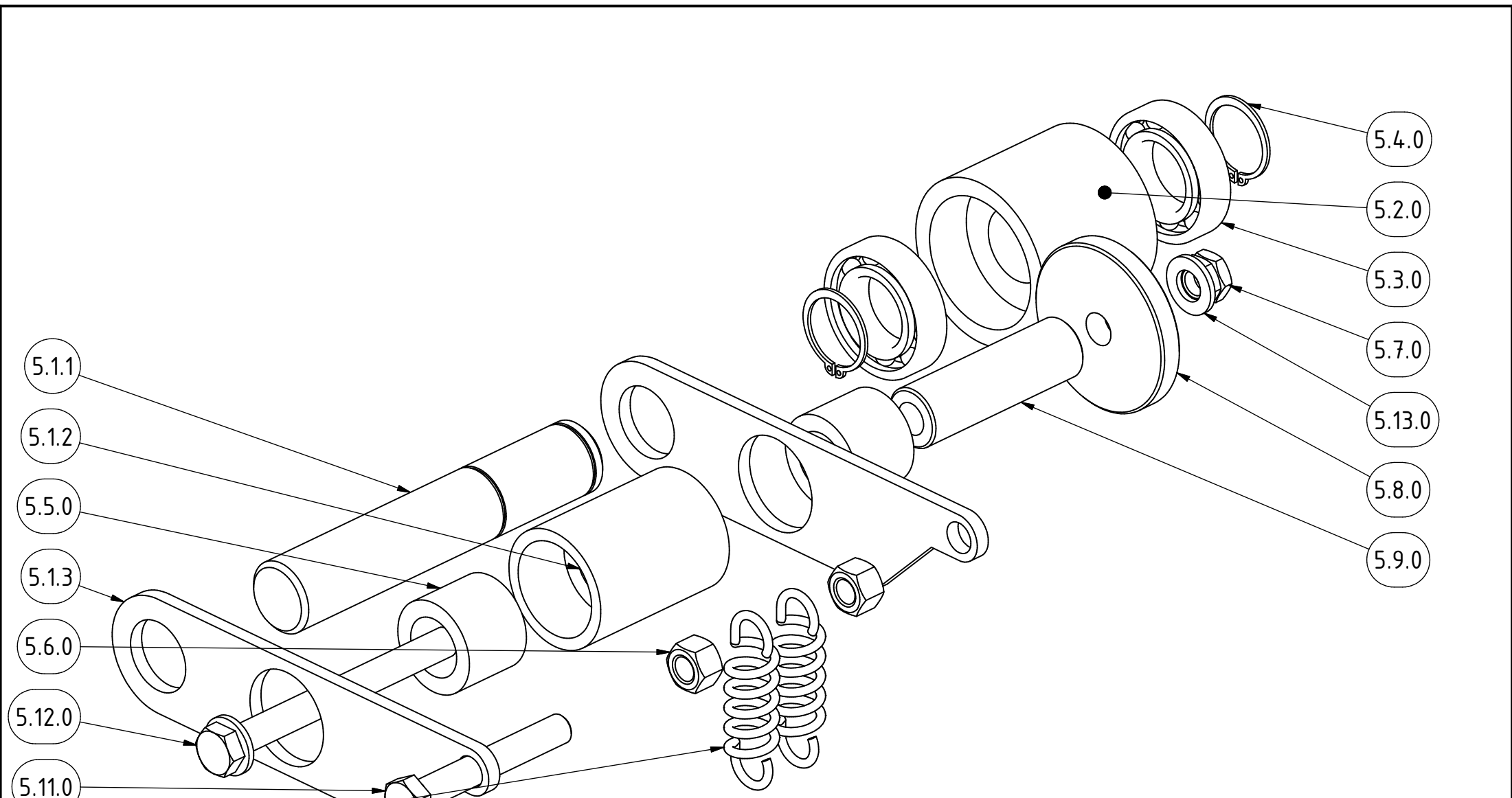
PROJECT	CREATED BY	APPROVED BY	DATE	VERSION	
Vertical Drum Hemp Harvester	A. Morillo	D. Jaeger	22-05-2024	0.06	
PART NAME	SPECIFICACIONES			CODE	
Adapter flange	Steel 235J2			4.5.0	
DEVELOPED BY	REDESIGNED BY	FILENAME		QTY	
Hanfasser		4.4.ipt		1	
		LICENSE	DOC. TYPE	SCALE	SHEET
		CC-BY-SA 4.0	Part	1 : 2	183 /215

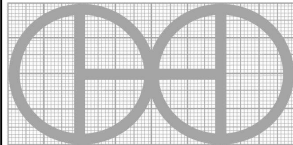


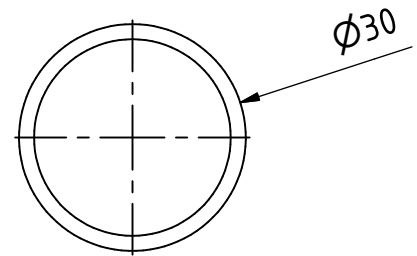
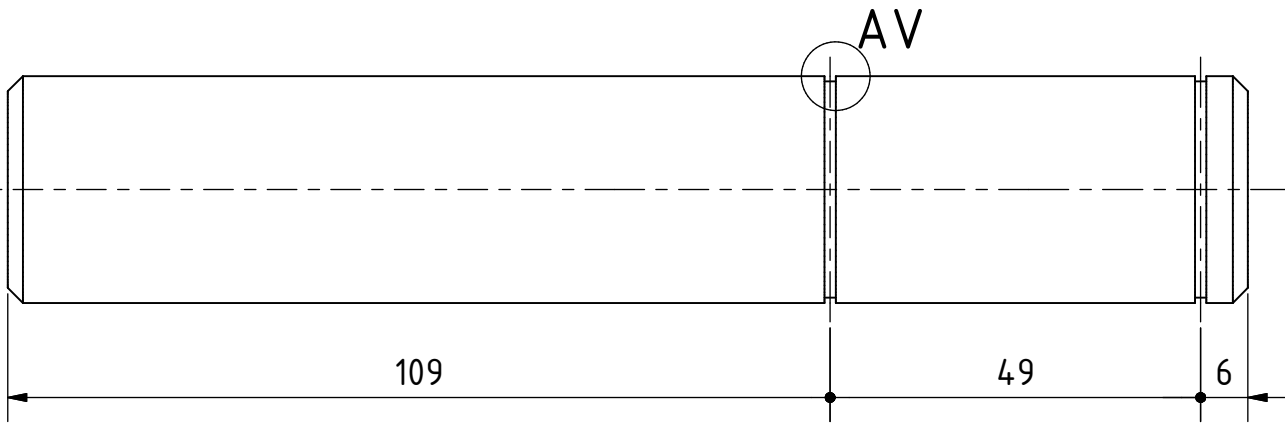
PROJECT	CREATED BY	APPROVED BY	DATE	VERSION	
Vertical Drum Hemp Harvester	A. Morillo	D. Jaeger	22-05-2024	0.06	
PART NAME	SPECIFICACIONES			CODE	
U-Washer special	Steel 235J2			4.13.0	
DEVELOPED BY	REDESIGNED BY	FILENAME		QTY	
Hanfasser		4.13.ipt		1	
		LICENSE	DOC. TYPE	SCALE	SHEET
		CC-BY-SA 4.0	Part	1 : 1	184 / 215



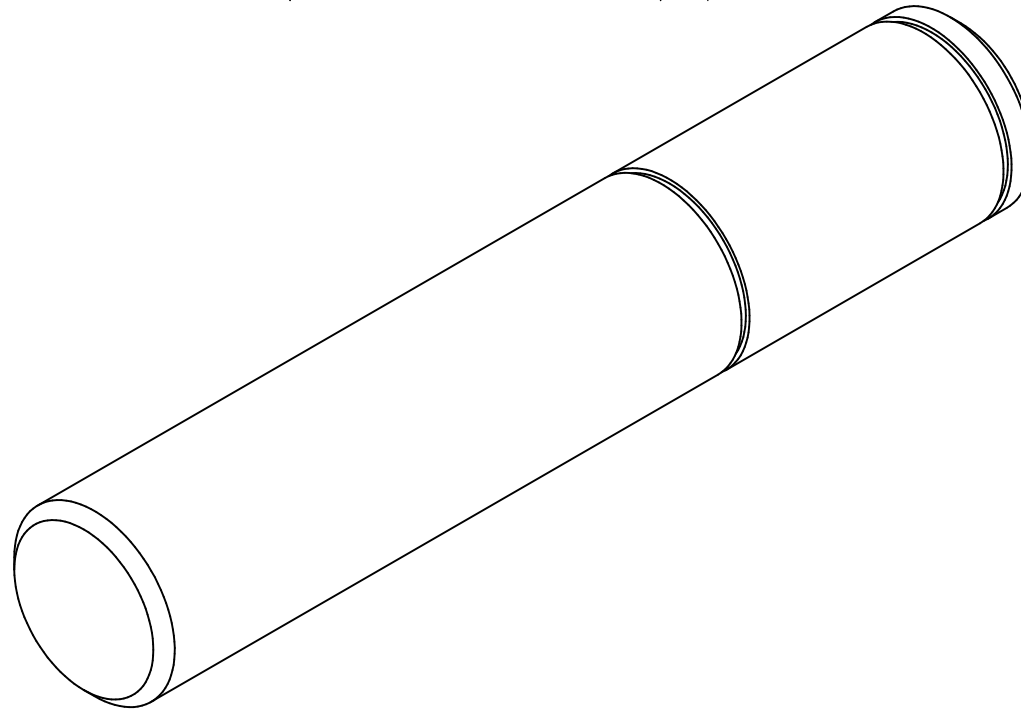
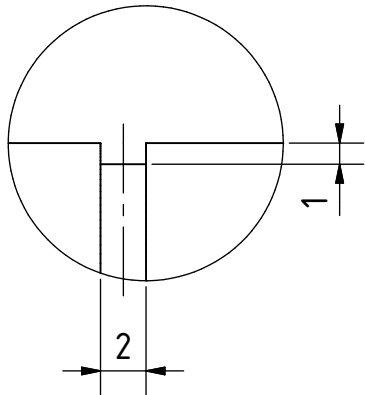
PROJECT	CREATED BY	APPROVED BY	DATE	VERSION
Vertical Drum Hemp Harvester	A. Morillo	D. Jaeger	22-05-2024	0.06
PART NAME	SPECIFICACIONES			CODE
Tensioning pulley for toothed belt				5.0.0
DEVELOPED BY	REDESIGNED BY	FILENAME		QTY
		5.iam		2
Hanfasser		OHO e.V.	LICENSE	DOC. TYPE
		CC-BY-SA 4.0	Assembly	SCALE
				SHEET
			1 : 2	185 /215

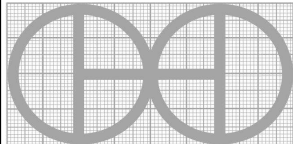


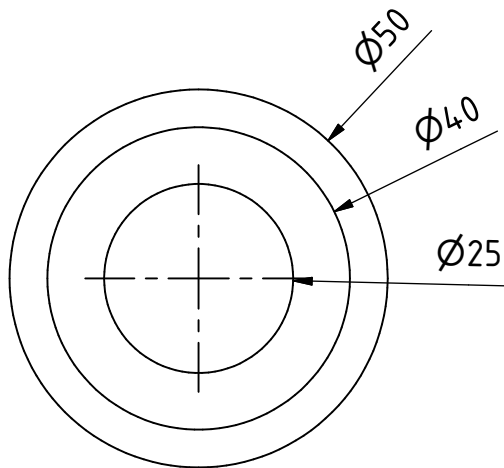
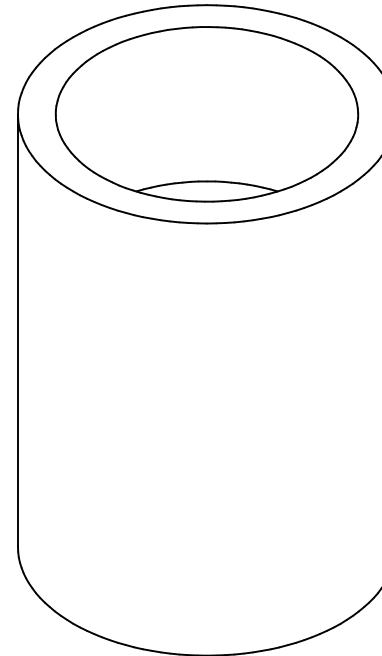
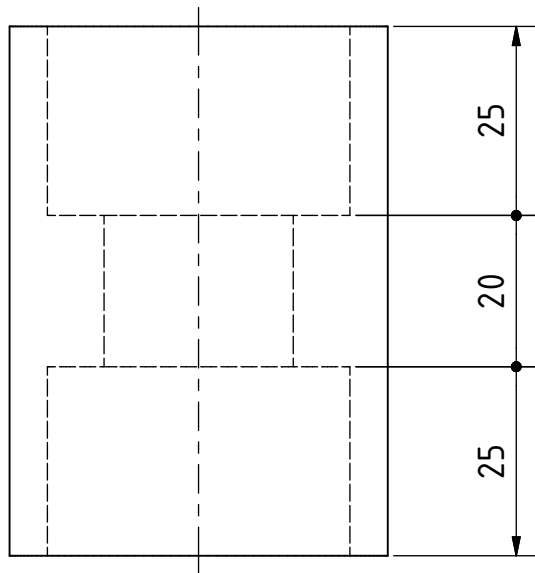
PROJECT		CREATED BY		APPROVED BY		DATE		VERSION	
Vertical Drum Hemp Harvester		A. Morillo		D. Jaeger		22-05-2024		0.06	
PART NAME		SPECIFICACIONES						CODE	
Tensioning pulley for toothed belt								5.0.0	
DEVELOPED BY			REDESIGNED BY			FILENAME		QTY	
Hanfasser						5.ipn		2	
LICENSE		DOC. TYPE		SCALE		SHEET			
CC-BY-SA 4.0		Assembly		1 : 2		186 /215			

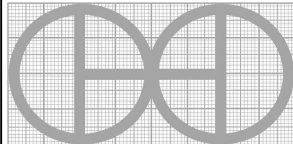


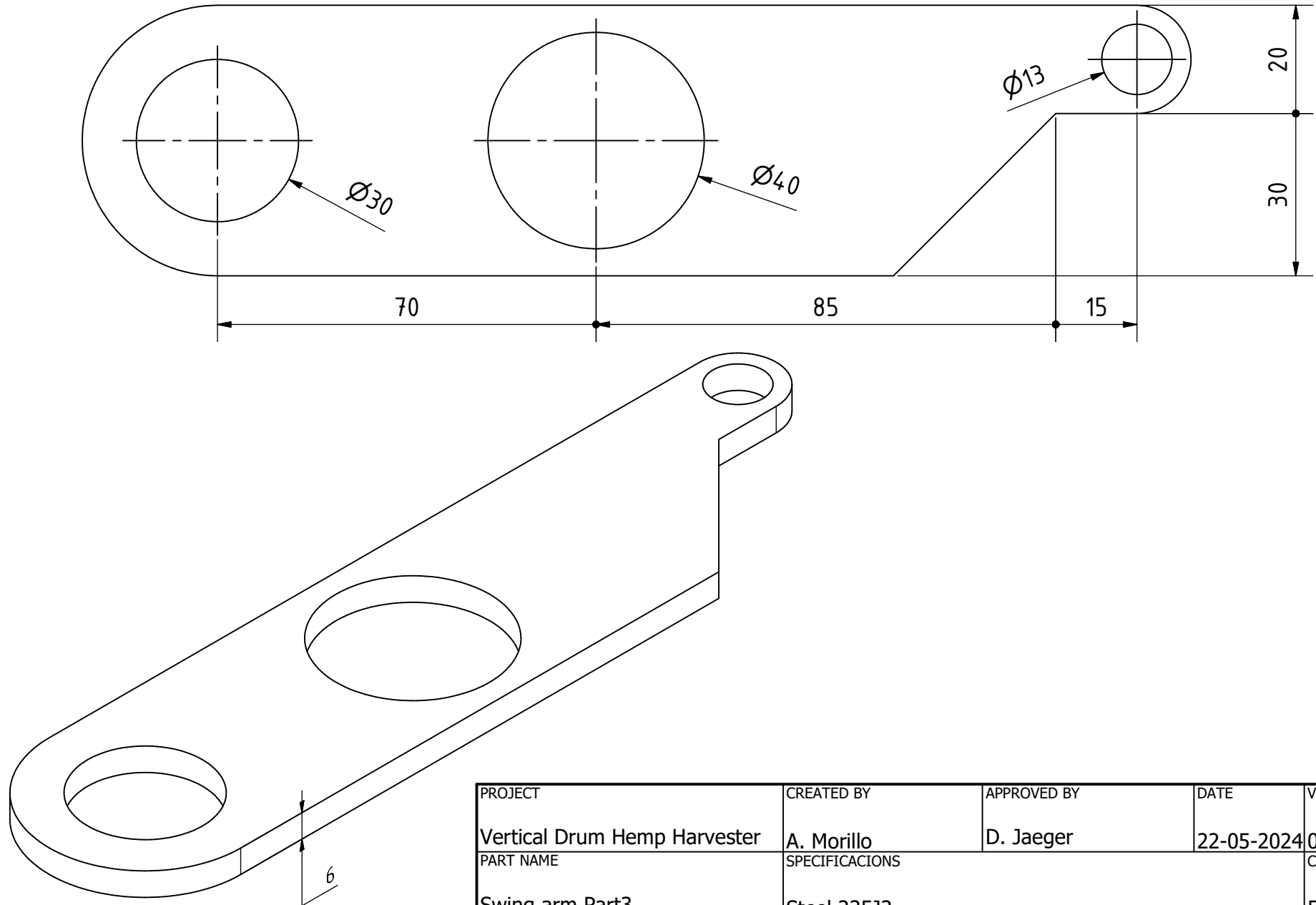
AV (4 : 1)

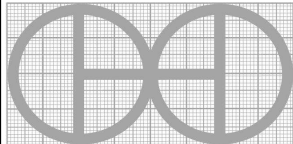


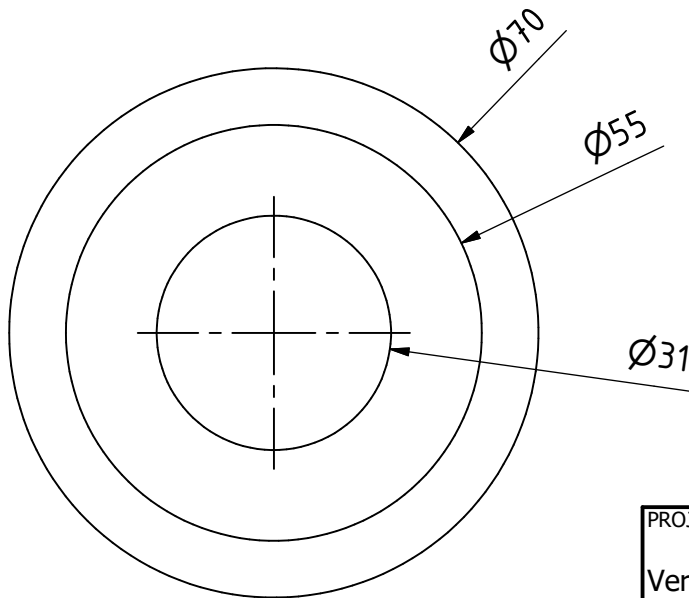
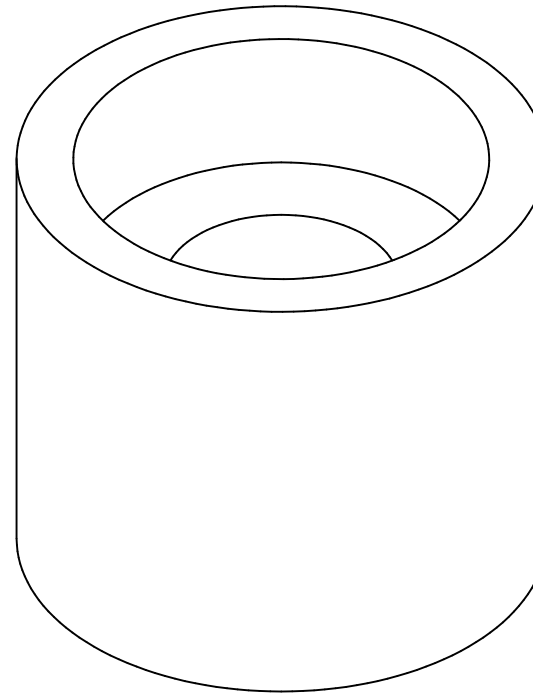
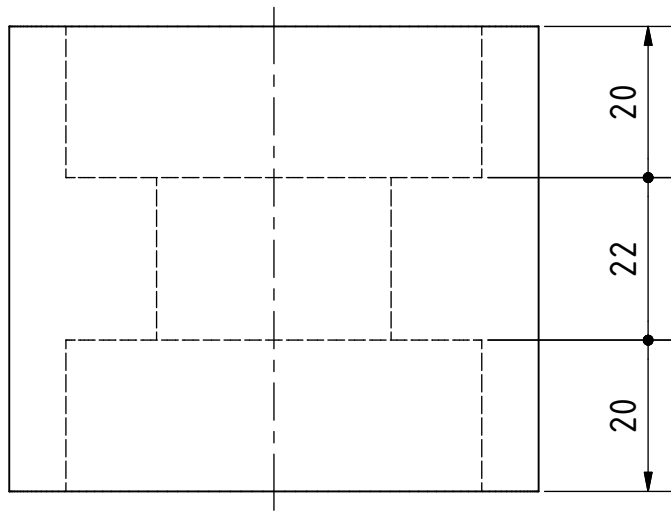
PROJECT	CREATED BY	APPROVED BY	DATE	VERSION	
Vertical Drum Hemp Harvester	A. Morillo	D. Jaeger	22-05-2024	0.06	
PART NAME	SPECIFICACIONES			CODE	
Swing arm Part1	Steel 235J2			5.1.1	
DEVELOPED BY	REDESIGNED BY	FILENAME		QTY	
Hanfasser		5.1.3.ipt		1	
		LICENSE	DOC. TYPE	SCALE	SHEET
		CC-BY-SA 4.0	Part	1 : 1	187 /215

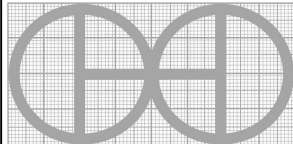


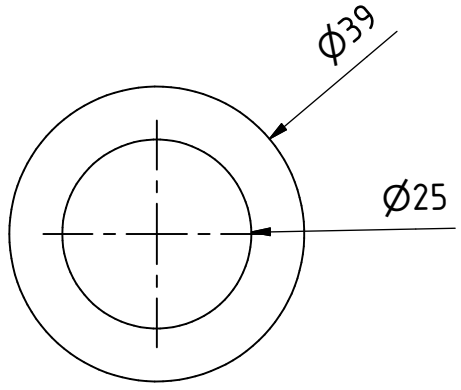
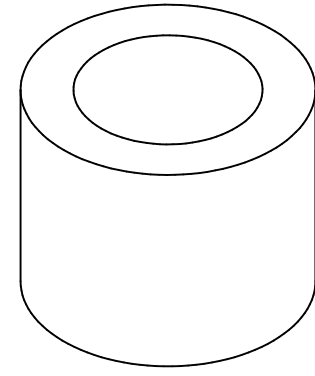
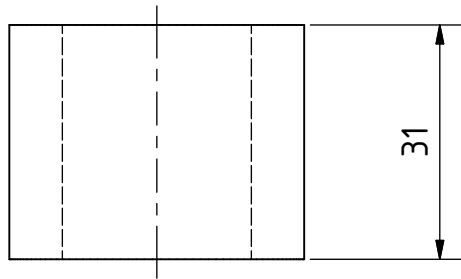
PROJECT	CREATED BY	APPROVED BY	DATE	VERSION	
Vertical Drum Hemp Harvester	A. Morillo	D. Jaeger	22-05-2024	0.06	
PART NAME	SPECIFICACIONES			CODE	
Swing arm Part2	Steel 235J2			5.1.2	
DEVELOPED BY	REDESIGNED BY	FILENAME		QTY	
Hanfasser		5.1.2.ipt		1	
		LICENSE	DOC. TYPE	SCALE	SHEET
		CC-BY-SA 4.0	Part	1 : 1	188 /215

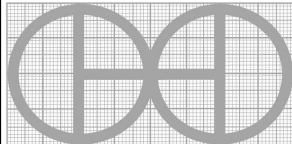


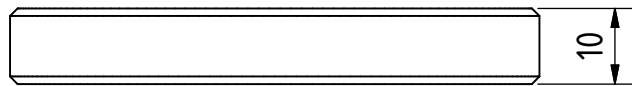
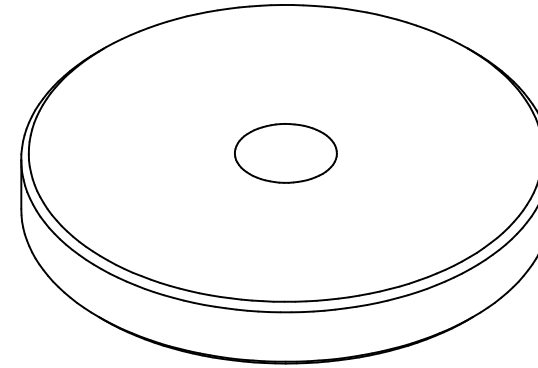
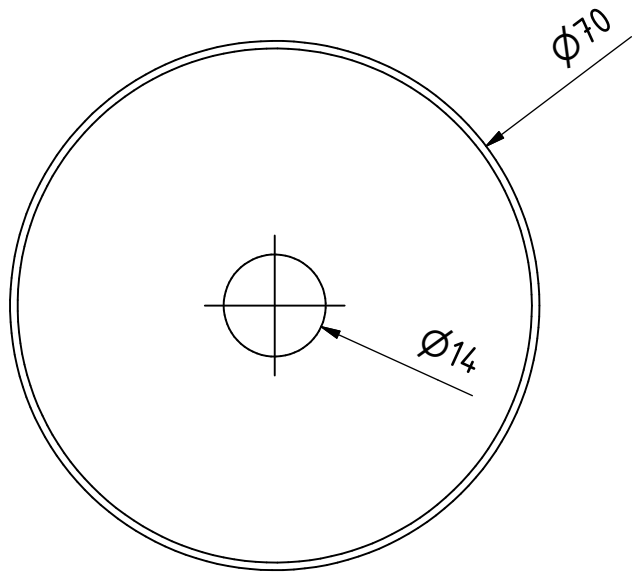
PROJECT	CREATED BY	APPROVED BY	DATE	VERSION
Vertical Drum Hemp Harvester	A. Morillo	D. Jaeger	22-05-2024	0.06
PART NAME	SPECIFICACIONES			CODE
Swing arm Part3	Steel 235J2			5.1.3
DEVELOPED BY	REDESIGNED BY	FILENAME		QTY
		5.1.1.ipt		2
Hanfasser	LICENSE		DOC. TYPE	SHEET
	CC-BY-SA 4.0		Part	189 /215
			SCALE	
			1 : 1	

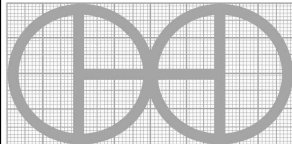


PROJECT	CREATED BY	APPROVED BY	DATE	VERSION	
Vertical Drum Hemp Harvester	A. Morillo	D. Jaeger	22-05-2024	0.06	
PART NAME	SPECIFICACIONES			CODE	
Roller	Steel 235J2			5.2.0	
DEVELOPED BY	REDESIGNED BY	FILENAME		QTY	
Hanfasser		5.2.ipt		1	
		LICENSE	DOC. TYPE	SCALE	SHEET
		CC-BY-SA 4.0	Part	1 : 1	190 /215

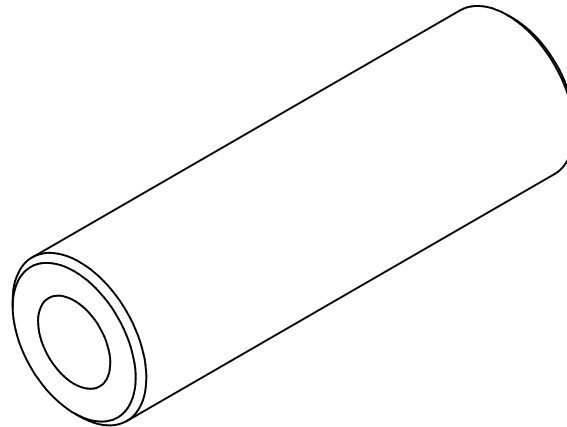
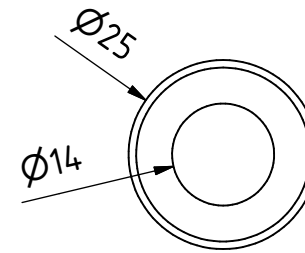
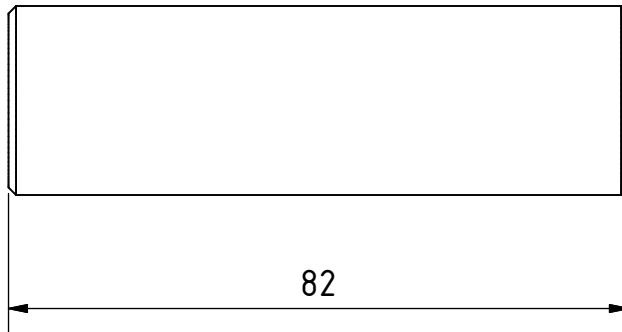


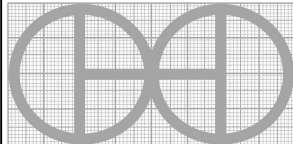
PROJECT		CREATED BY		APPROVED BY		DATE		VERSION		
Vertical Drum Hemp Harvester		A. Morillo		D. Jaeger		22-05-2024		0.06		
PART NAME		SPECIFICACIONES							CODE	
Bush (polyamide)		Polyamide							5.5.0	
DEVELOPED BY		REDESIGNED BY		FILENAME				QTY		
Hanfasser				5.5.ipt				2		
				LICENSE		DOC. TYPE		SCALE		SHEET
				CC-BY-SA 4.0		Part		1 : 1		
								191 /215		

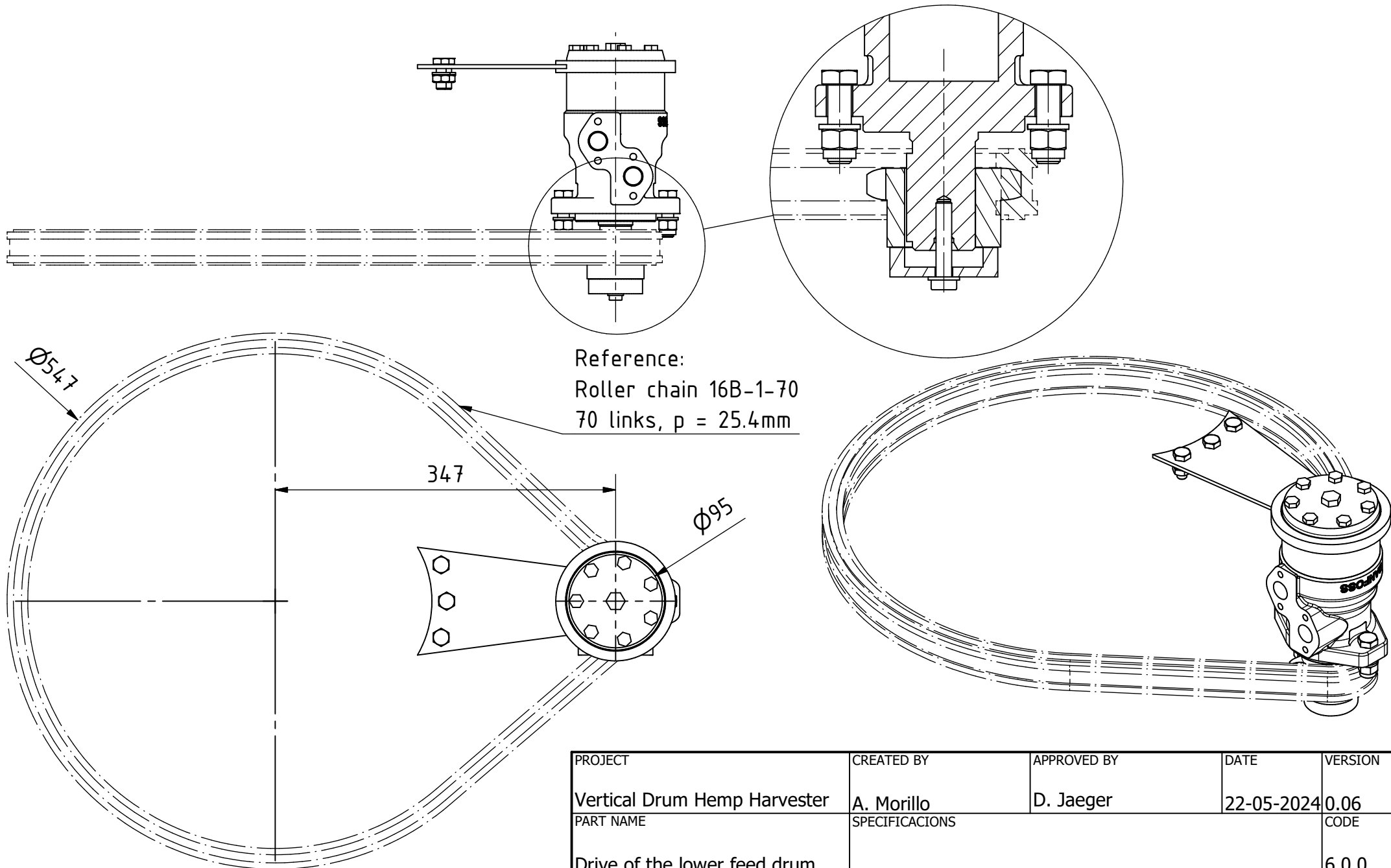


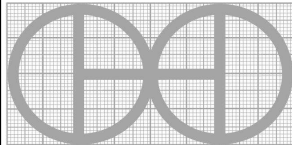
PROJECT	CREATED BY	APPROVED BY	DATE	VERSION	
Vertical Drum Hemp Harvester	A. Morillo	D. Jaeger	22-05-2024	0.06	
PART NAME	SPECIFICACIONES			CODE	
U-Washer special	Steel 235J2			5.8.0	
DEVELOPED BY	REDESIGNED BY	FILENAME		QTY	
Hanfasser		5.8.ipt		1	
		LICENSE	DOC. TYPE	SCALE	SHEET
		CC-BY-SA 4.0	Part	1 : 1	192 /215

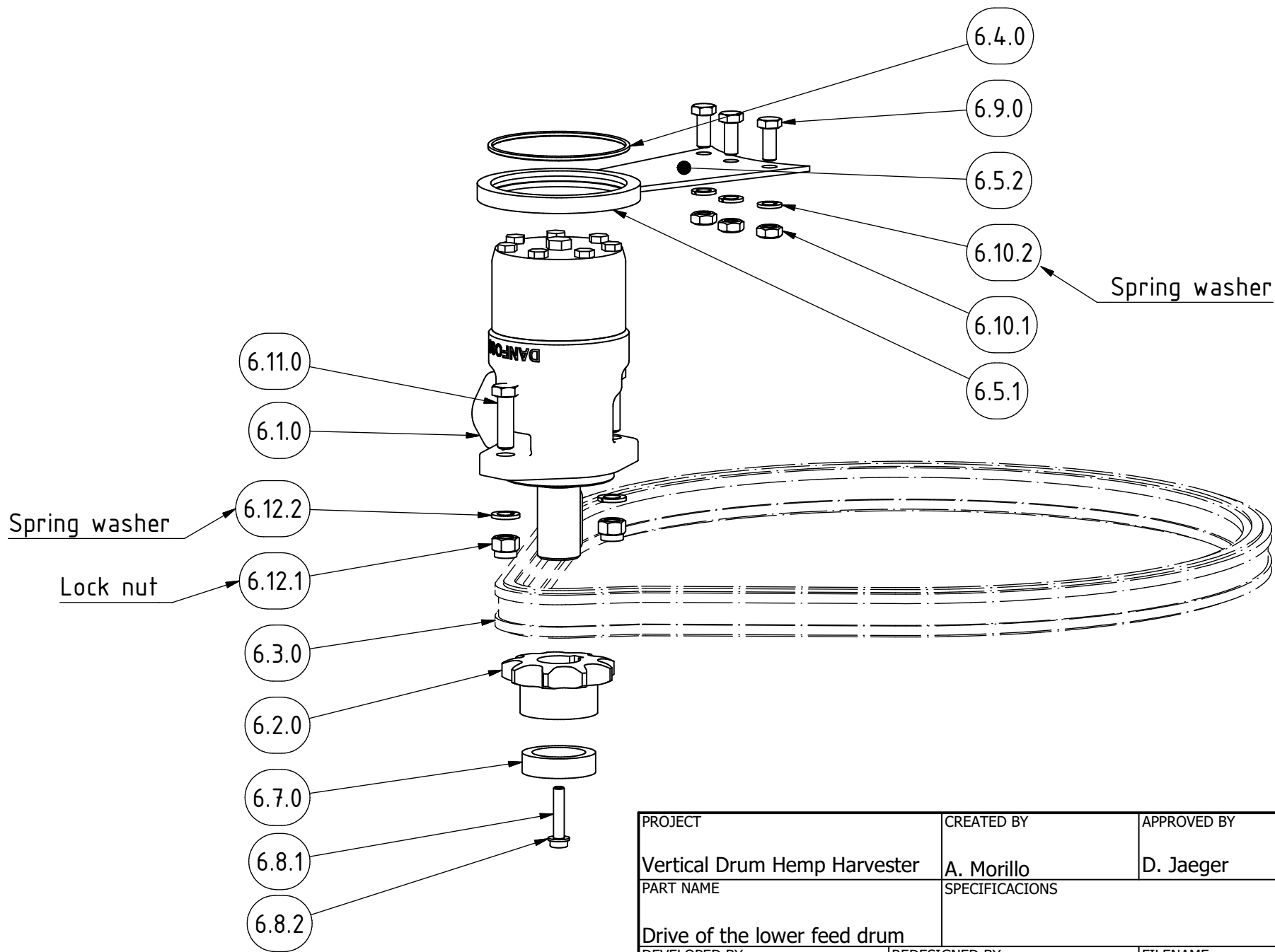
OHO e.V.



PROJECT	CREATED BY	APPROVED BY	DATE	VERSION	
Vertical Drum Hemp Harvester	A. Morillo	D. Jaeger	22-05-2024	0.06	
PART NAME	SPECIFICACIONES			CODE	
5.9.ipt	Steel 235J2			5.9.0	
DEVELOPED BY	REDESIGNED BY	FILENAME		QTY	
Hanfasser		OHIO e.V. Bearing bolt		1	
		LICENSE	DOC. TYPE	SCALE	SHEET
		CC-BY-SA 4.0	Part	1 : 1	193 /215



PROJECT		CREATED BY		APPROVED BY		DATE		VERSION		
Vertical Drum Hemp Harvester		A. Morillo		D. Jaeger		22-05-2024		0.06		
PART NAME				SPECIFICACIONES				CODE		
Drive of the lower feed drum								6.0.0		
DEVELOPED BY			REDESIGNED BY			FILENAME			QTY	
Hanfasser						6.iam			2	
			OHO e.V.			LICENSE		DOC. TYPE	SCALE	SHEET
						CC-BY-SA 4.0		Assembly	1 : 5	194 /215



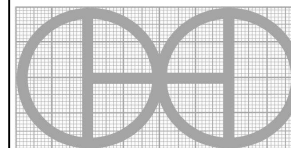
Spring washer

Spring washer

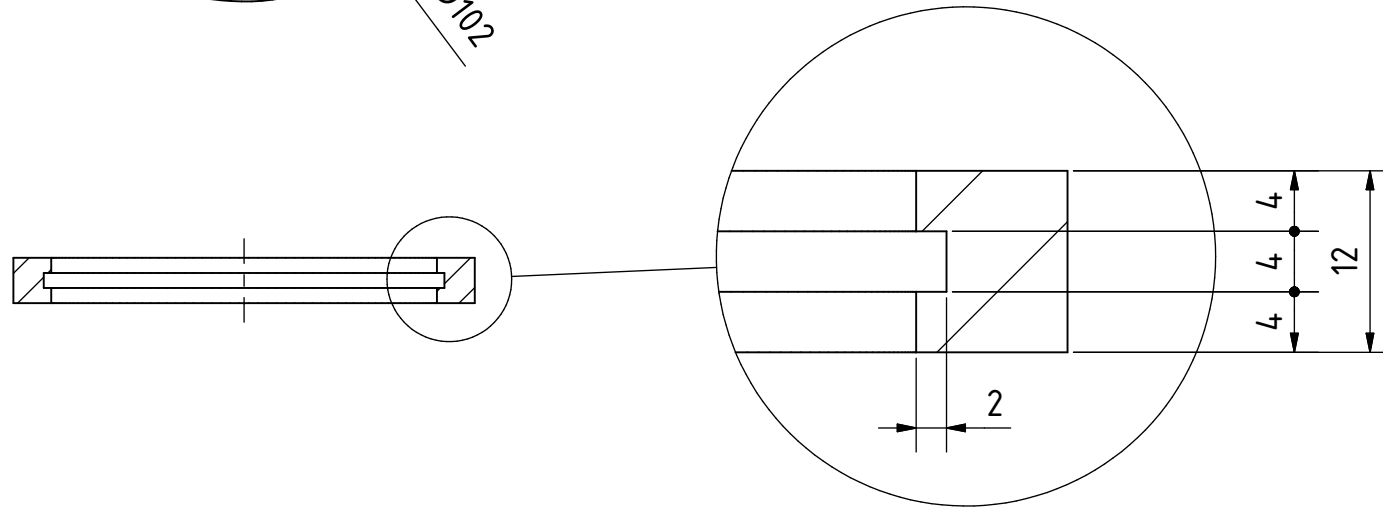
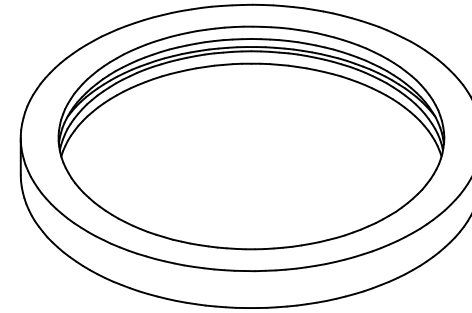
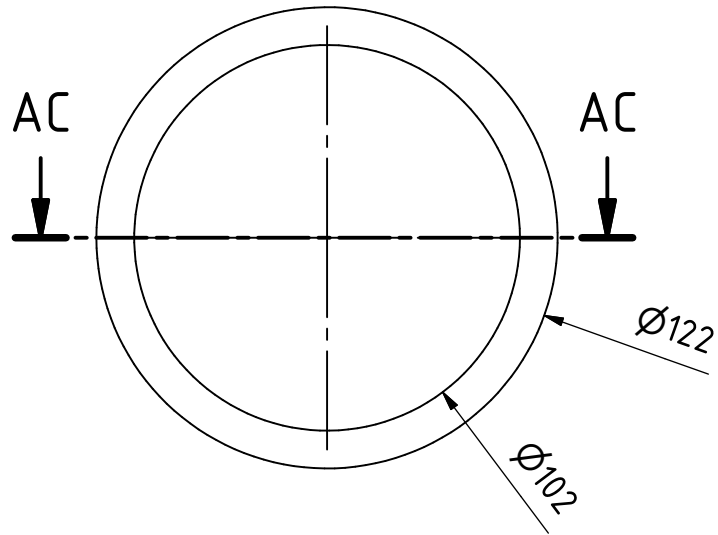
Lock nut

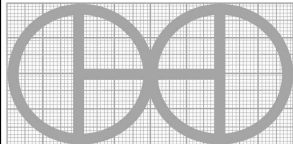
PROJECT	CREATED BY	APPROVED BY	DATE	VERSION
Vertical Drum Hemp Harvester	A. Morillo	D. Jaeger	22-05-2024	0.06
PART NAME	SPECIFICACIONES			CODE
Drive of the lower feed drum				6.0.0
DEVELOPED BY	REDESIGNED BY	FILENAME	QTY	
		6.ipn	2	
		LICENSE	DOC. TYPE	SCALE
		CC-BY-SA 4.0	Assembly	1 : 4
				SHEET
				195 /215

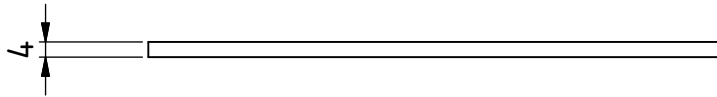
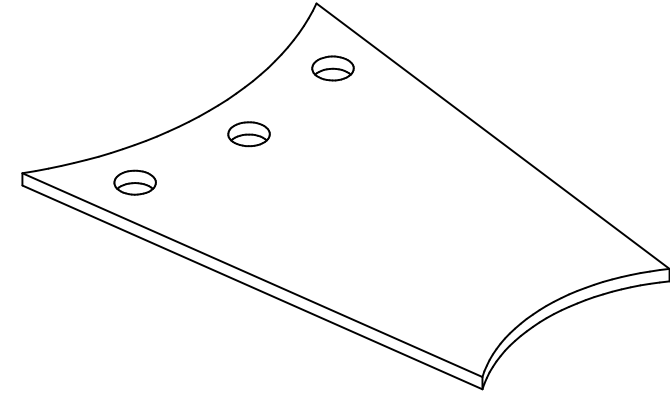
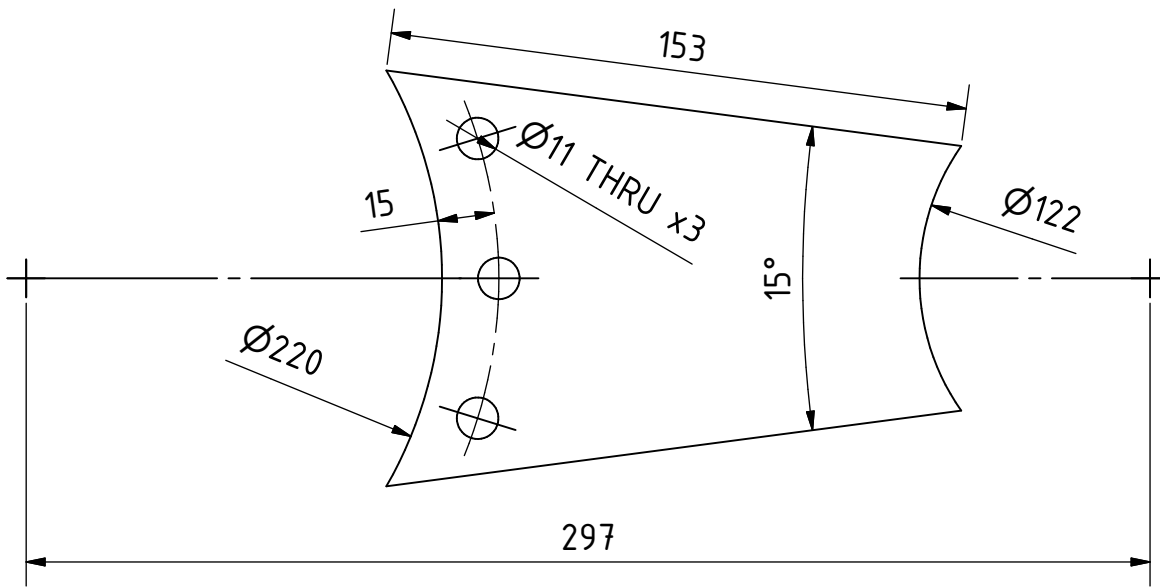
Hanfasser

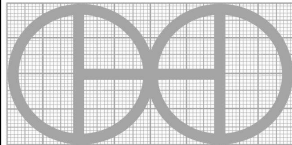


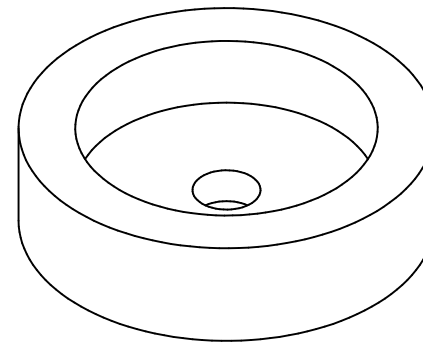
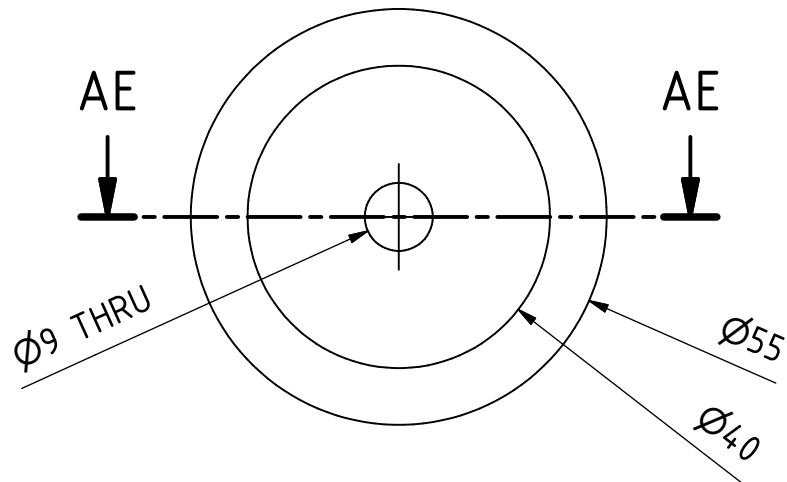
OHO e.V.



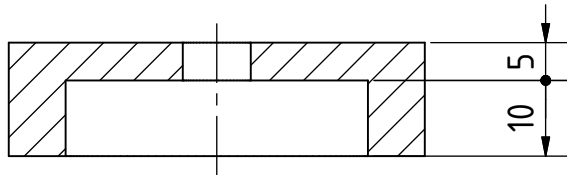
PROJECT	CREATED BY	APPROVED BY	DATE	VERSION	
Vertical Drum Hemp Harvester	A. Morillo	D. Jaeger	22-05-2024	0.06	
PART NAME	SPECIFICACIONES			CODE	
Motor mounting piece	Steel 235J2			6.5.1	
DEVELOPED BY	REDESIGNED BY	FILENAME		QTY	
Hanfasser		6.5_1.ipt		1	
		LICENSE	DOC. TYPE	SCALE	SHEET
		CC-BY-SA 4.0	Part	1 : 2	196 /215

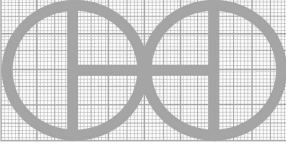


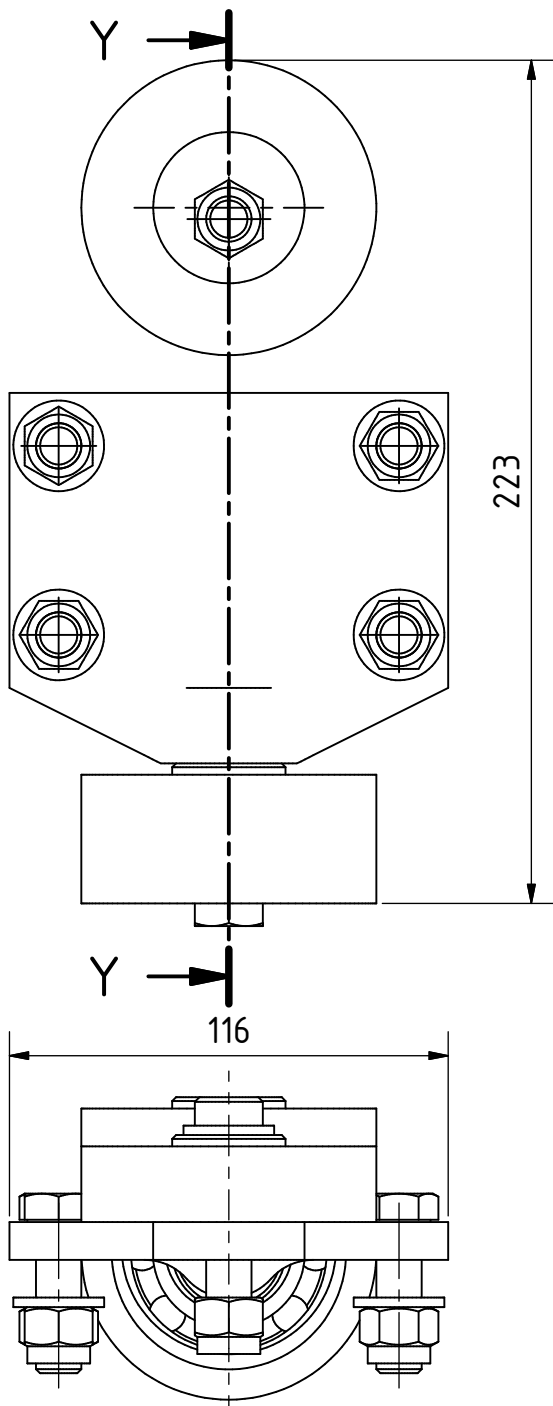
PROJECT	CREATED BY	APPROVED BY	DATE	VERSION	
Vertical Drum Hemp Harvester	A. Morillo	D. Jaeger	22-05-2024	0.06	
PART NAME	SPECIFICACIONES			CODE	
Motor mounting piece - support	Steel 235J2			6.5.2	
DEVELOPED BY	REDESIGNED BY	FILENAME		QTY	
Hanfasser		6.5_2.ipt		1	
		LICENSE	DOC. TYPE	SCALE	SHEET
		CC-BY-SA 4.0	Part	1 : 2	197 /215



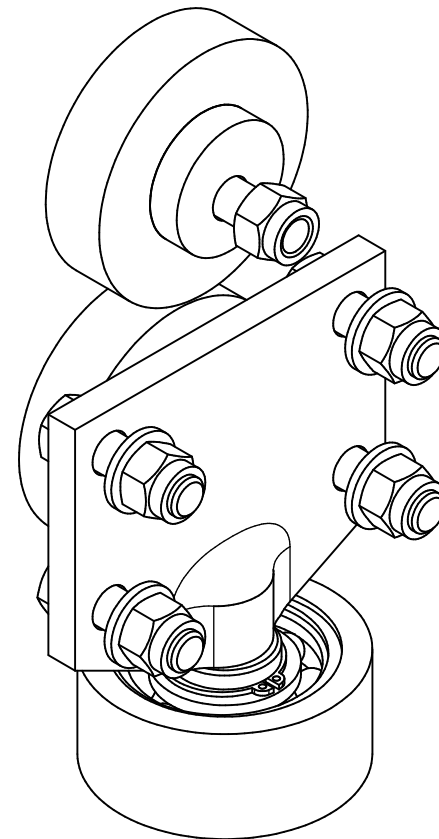
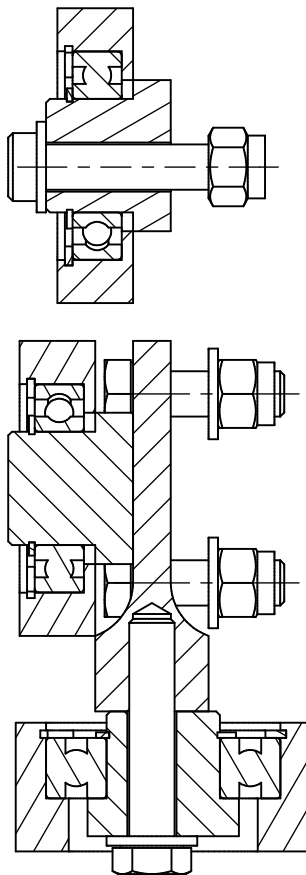
AE-AE (1 : 1)



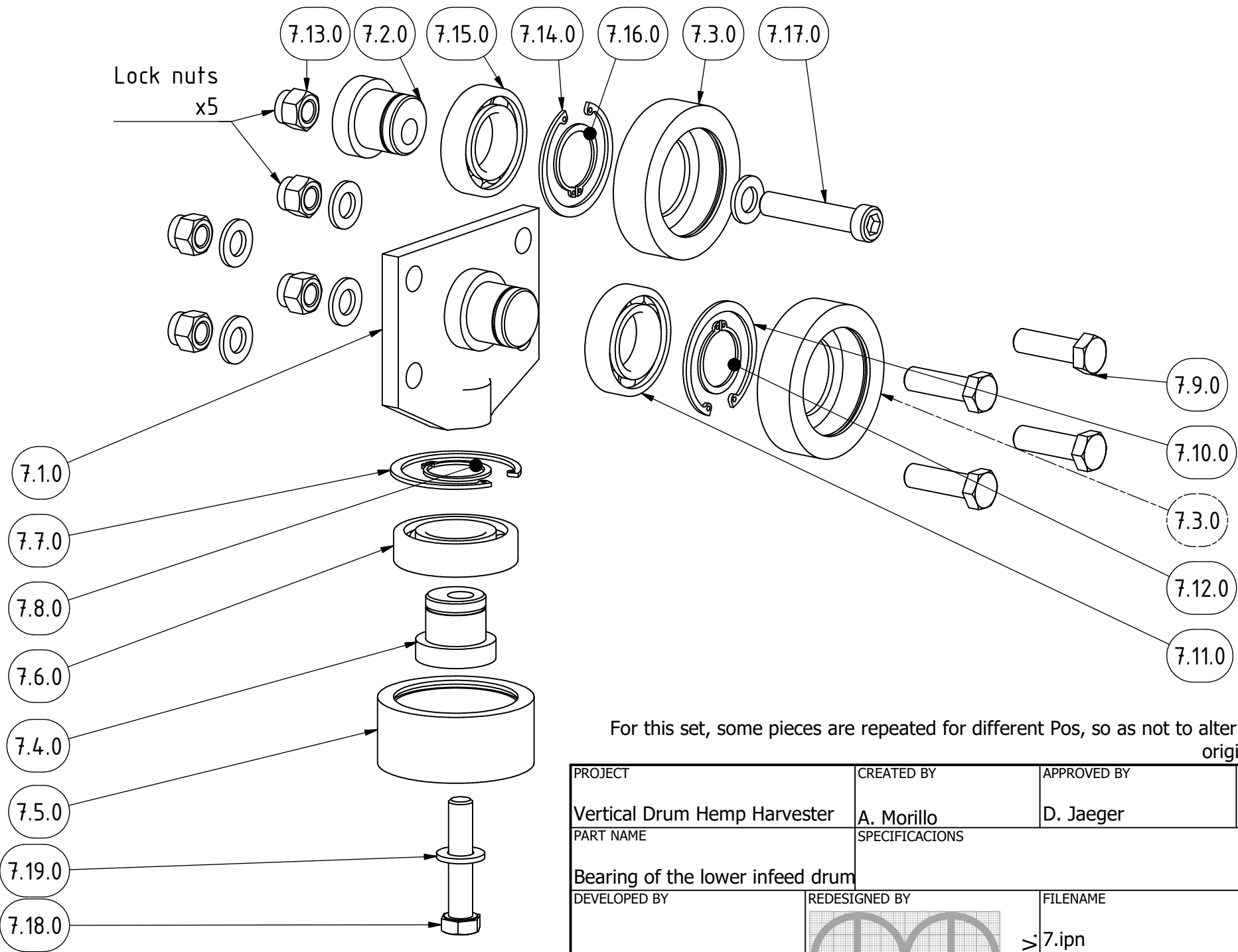
PROJECT	CREATED BY	APPROVED BY	DATE	VERSION	
Vertical Drum Hemp Harvester	A. Morillo	D. Jaeger	22-05-2024	0.06	
PART NAME	SPECIFICACIONES			CODE	
U-Washer	Steel 235J2			6.7.0	
DEVELOPED BY	REDESIGNED BY	FILENAME		QTY	
Hanfasser		6.7.ipt		1	
		LICENSE	DOC. TYPE	SCALE	SHEET
		CC-BY-SA 4.0	Part	1 : 1	198 /215



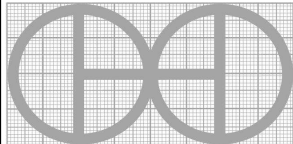
Y-Y (1 : 2)



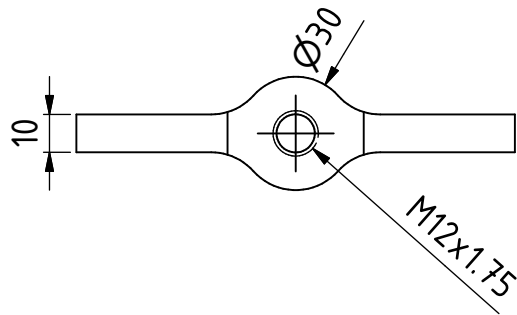
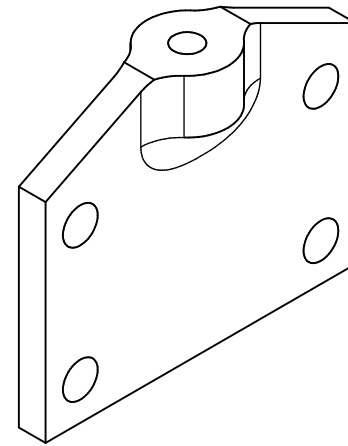
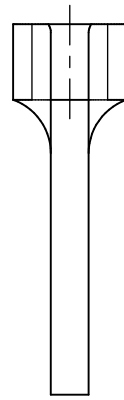
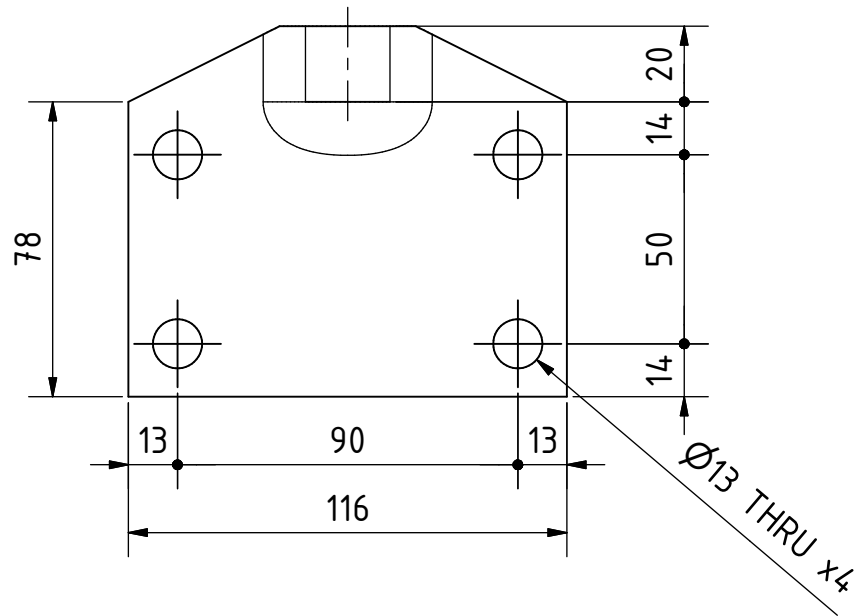
PROJECT	CREATED BY	APPROVED BY	DATE	VERSION
Vertical Drum Hemp Harvester	A. Morillo	D. Jaeger	22-05-2024	0.06
PART NAME	SPECIFICACIONES			CODE
Bearing of the lower infed drum				7.0.0
DEVELOPED BY	REDESIGNED BY	FILENAME	QTY	
		7.iam	6	
		LICENSE	DOC. TYPE	SCALE
		CC-BY-SA 4.0	Assembly	1 : 2
Handfasser				199 /215

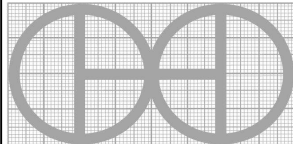


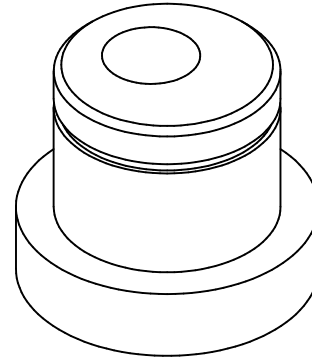
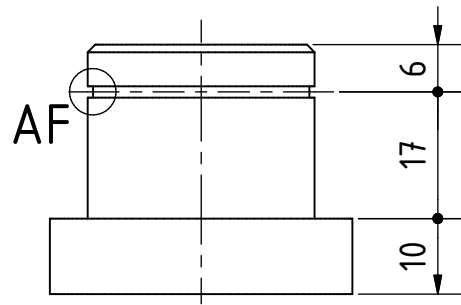
For this set, some pieces are repeated for different Pos, so as not to alter the numbering of the original catalog too much.

PROJECT	CREATED BY	APPROVED BY	DATE	VERSION
Vertical Drum Hemp Harvester	A. Morillo	D. Jaeger	22-05-2024	0.06
PART NAME	SPECIFICACIONES			CODE
Bearing of the lower infeed drum				7.0.0
DEVELOPED BY	REDESIGNED BY	FILENAME		QTY
		7.ipn		6
Hanfasser		LICENSE	DOC. TYPE	SCALE
		CC-BY-SA 4.0	Assembly	2 : 5
				SHEET
				200 /215

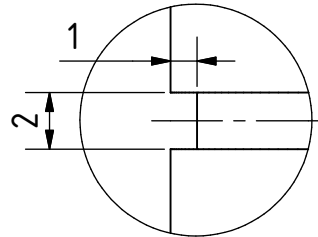
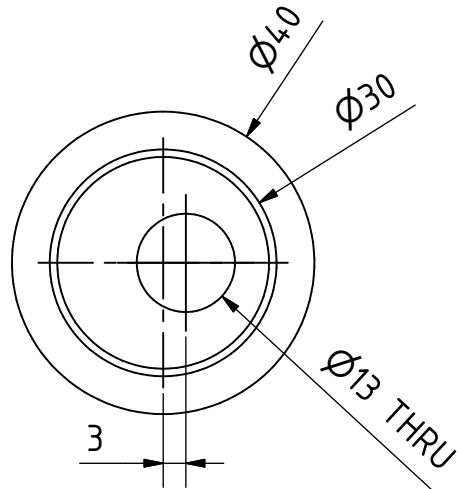
OHO e.V.

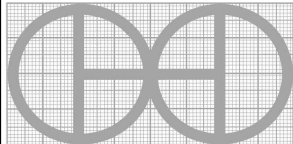


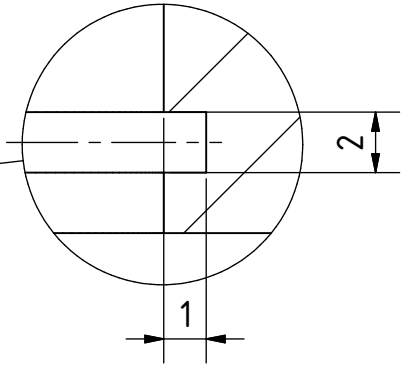
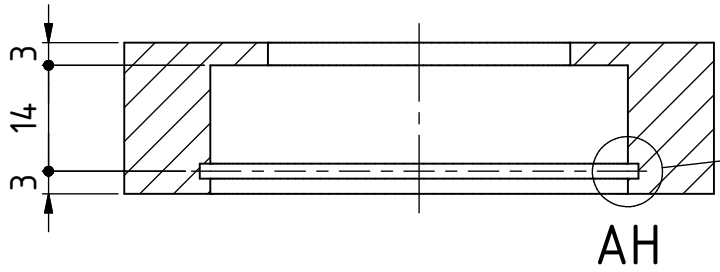
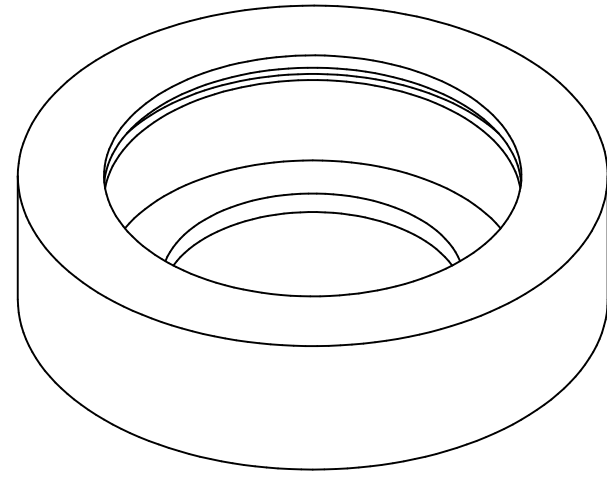
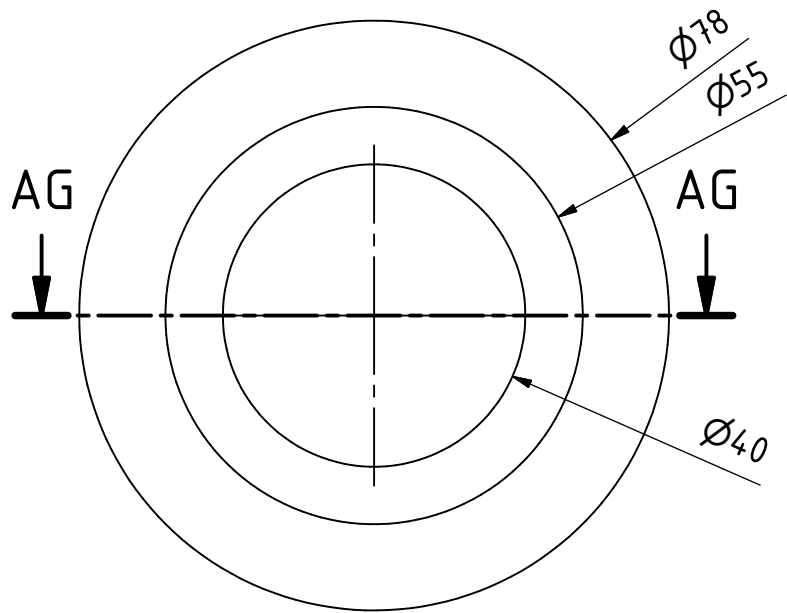
PROJECT	CREATED BY	APPROVED BY	DATE	VERSION
Vertical Drum Hemp Harvester	A. Morillo	D. Jaeger	22-05-2024	0.06
PART NAME	SPECIFICACIONES			CODE
Axle carrier	Steel 235J2			7.1.0
DEVELOPED BY	REDESIGNED BY	FILENAME		QTY
		7.1.ipt		1
Hanfasser		LICENSE	DOC. TYPE	SCALE
		CC-BY-SA 4.0	Part	1 : 2
				SHEET
				201 /215

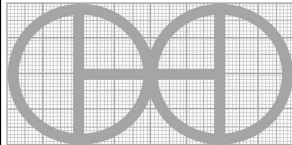


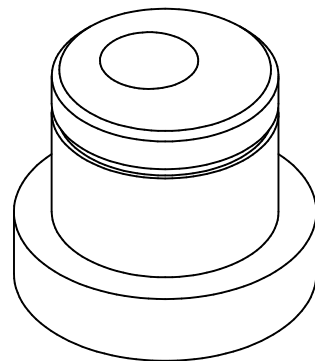
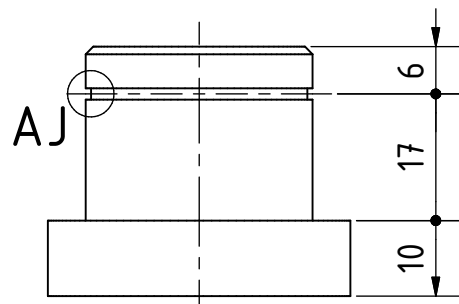
AF (5 : 1)



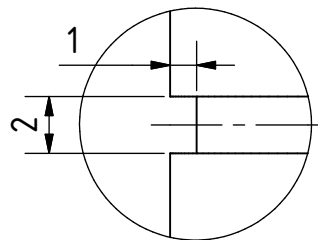
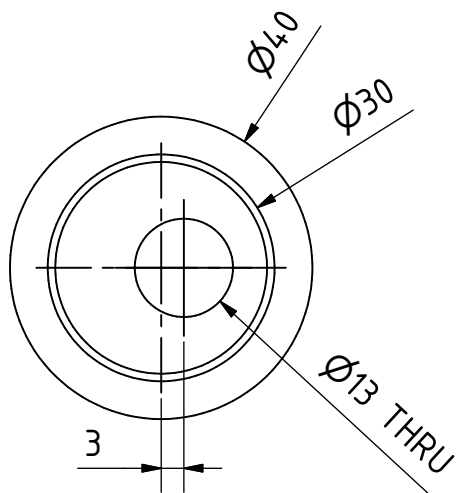
PROJECT	CREATED BY	APPROVED BY	DATE	VERSION	
Vertical Drum Hemp Harvester	A. Morillo	D. Jaeger	22-05-2024	0.06	
PART NAME	SPECIFICACIONES			CODE	
Eccentric pin axial	Steel 235J2			7.2.0	
DEVELOPED BY	REDESIGNED BY	FILENAME		QTY	
Hanfasser		7.2.ipt		1	
		LICENSE	DOC. TYPE	SCALE	SHEET
		CC-BY-SA 4.0	Part	1 : 1	202 /215

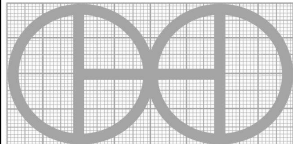


PROJECT		CREATED BY		APPROVED BY		DATE		VERSION			
Vertical Drum Hemp Harvester		A. Morillo		D. Jaeger		22-05-2024		0.06			
PART NAME		SPECIFICACIONES							CODE		
Roller		Steel 235J2							7.3.0		
DEVELOPED BY		REDESIGNED BY		FILENAME				QTY			
Hanfasser				7.3.ipt				2			
				LICENSE		DOC. TYPE		SCALE		SHEET	
				CC-BY-SA 4.0		Part		1 : 1		203 /215	

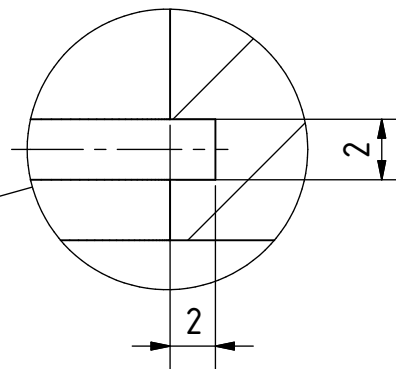
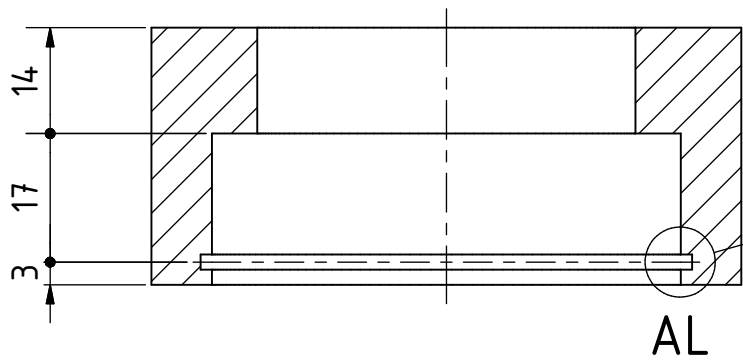
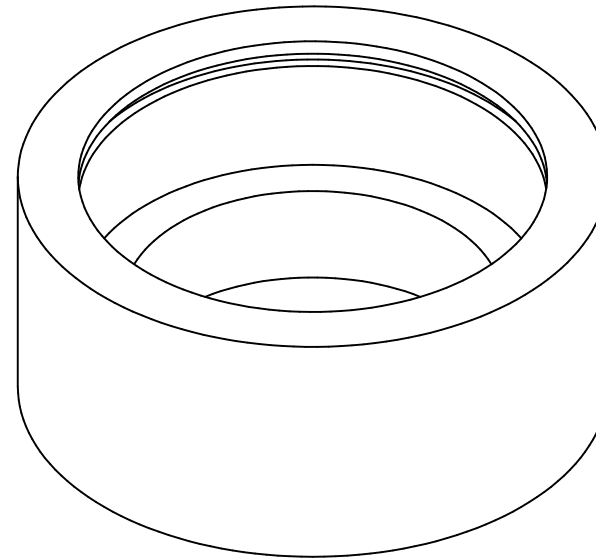
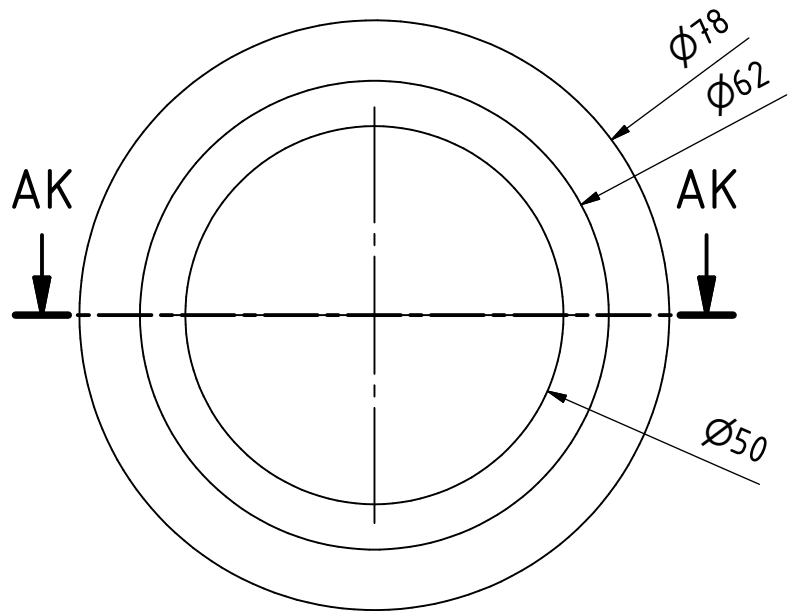


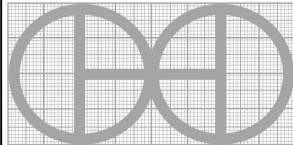
AJ (5 : 1)

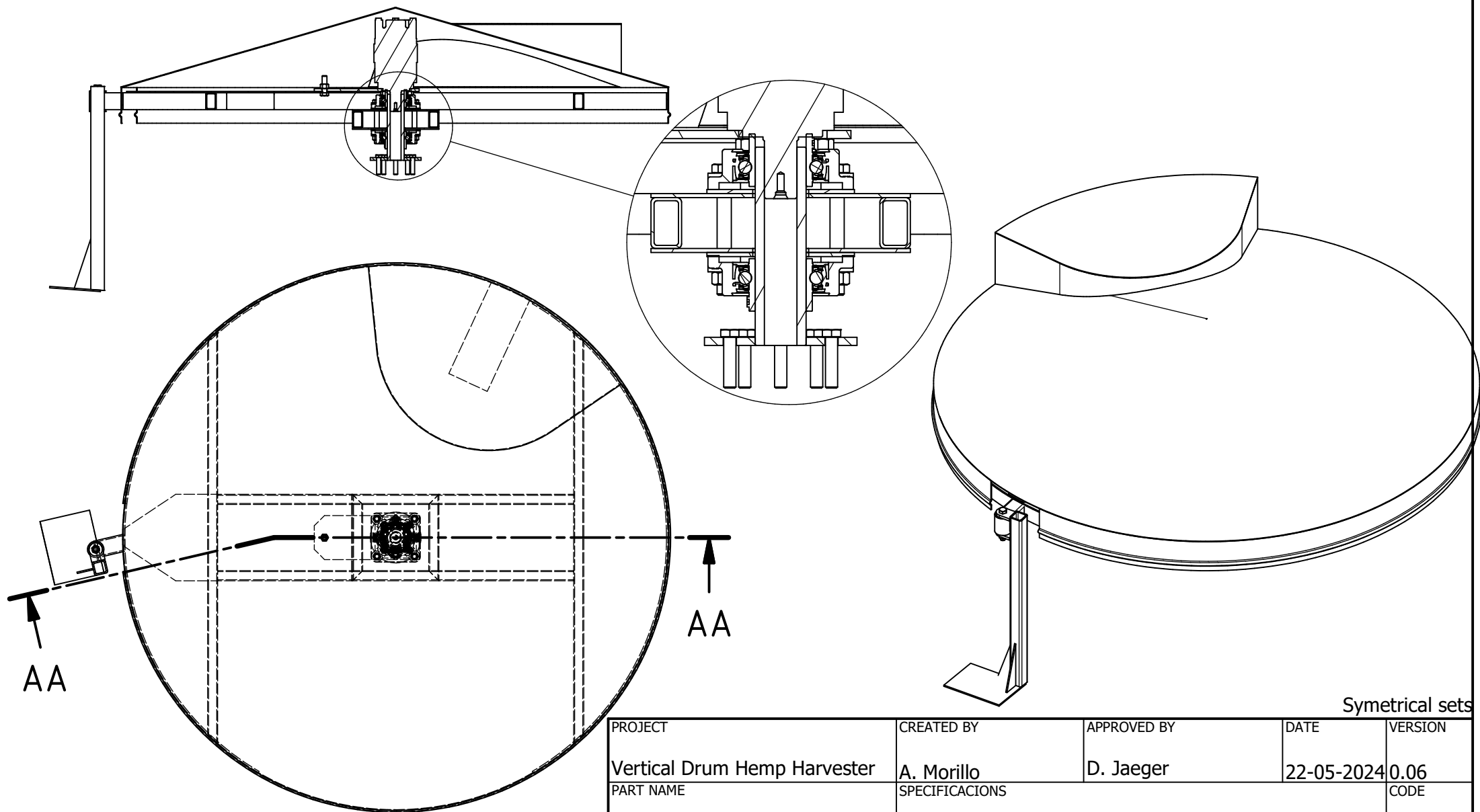


PROJECT	CREATED BY	APPROVED BY	DATE	VERSION
Vertical Drum Hemp Harvester	A. Morillo	D. Jaeger	22-05-2024	0.06
PART NAME	SPECIFICACIONES			CODE
Eccentric pin radial	Steel 235J2			7.4.0
DEVELOPED BY	REDESIGNED BY	FILENAME		QTY
		7.2.ipt		1
Hanfasser		LICENSE	DOC. TYPE	SCALE
		CC-BY-SA 4.0	Part	1 : 1
				SHEET
				204 / 215

OHO e.V.

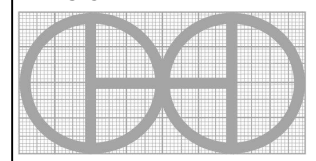


PROJECT		CREATED BY		APPROVED BY		DATE		VERSION		
Vertical Drum Hemp Harvester		A. Morillo		D. Jaeger		22-05-2024		0.06		
PART NAME		SPECIFICACIONES							CODE	
Roller2		Steel 235J2							7.5.0	
DEVELOPED BY		REDESIGNED BY		FILENAME				QTY		
Hanfasser				7.5.ipt				1		
				LICENSE		DOC. TYPE		SCALE		SHEET
				CC-BY-SA 4.0		Part		1 : 1		
								205 /215		



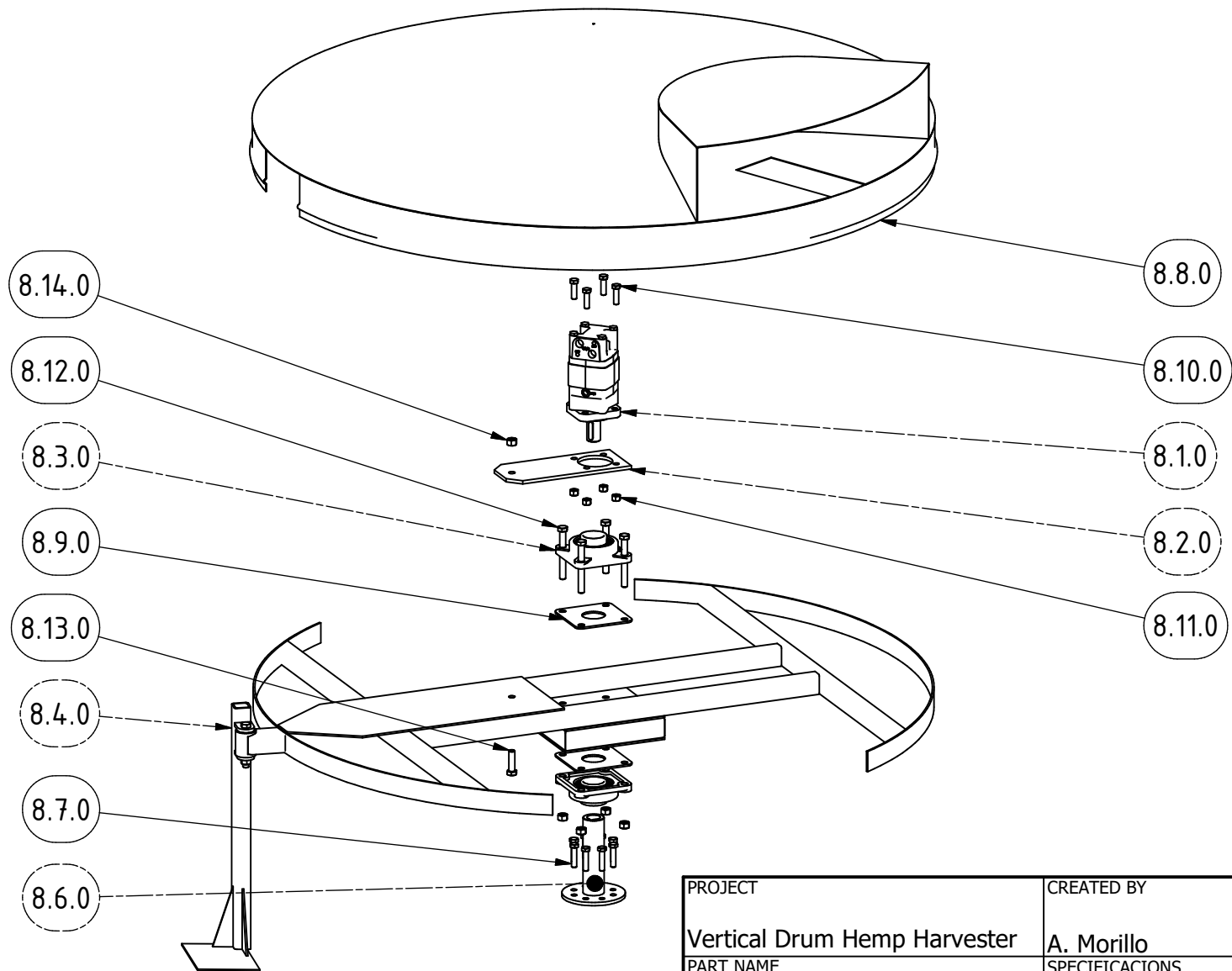
Symetrical sets

PROJECT	CREATED BY	APPROVED BY	DATE	VERSION
Vertical Drum Hemp Harvester	A. Morillo	D. Jaeger	22-05-2024	0.06
PART NAME	SPECIFICACIONES			CODE
Drive of the upper feed drums				8.0.0
DEVELOPED BY	REDESIGNED BY	FILENAME		QTY
		8.iam		2
		LICENSE	DOC. TYPE	SCALE
		CC-BY-SA 4.0	Assembly	1 : 15
				SHEET
				206 /215



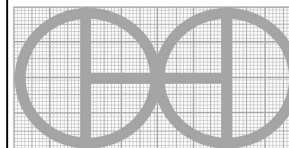
OHO e.V.

Hanfasser



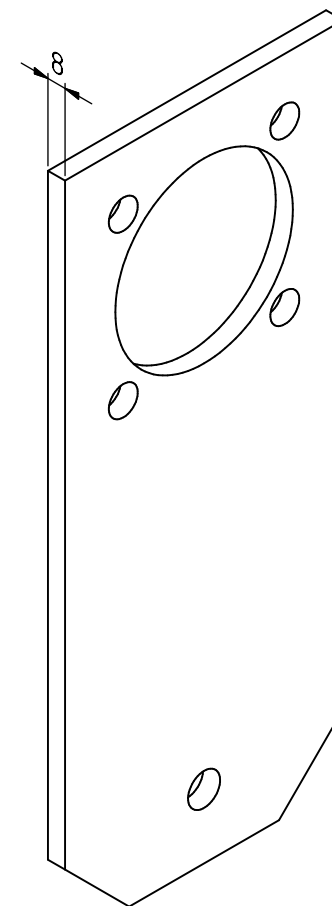
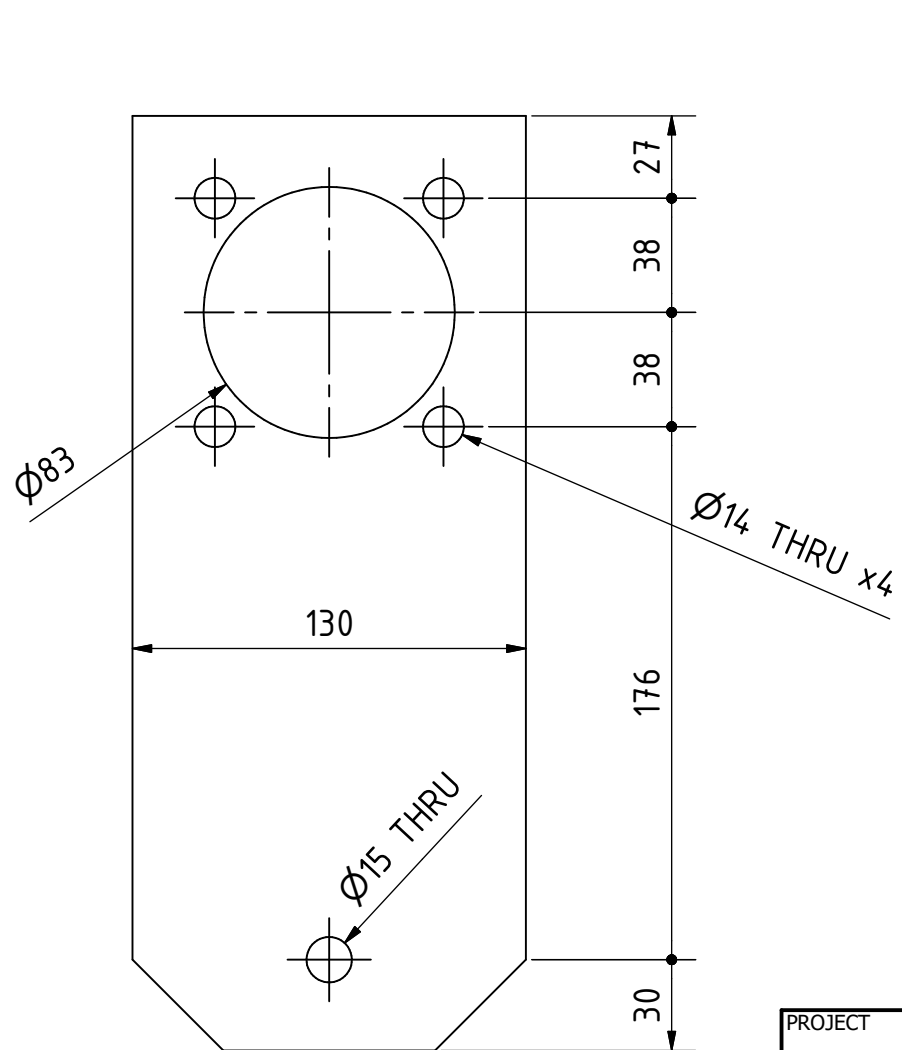
Symetrical sets

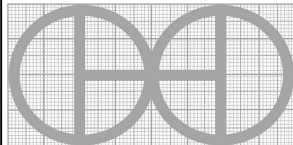
PROJECT	CREATED BY	APPROVED BY	DATE	VERSION
Vertical Drum Hemp Harvester	A. Morillo	D. Jaeger	22-05-2024	0.06
PART NAME	SPECIFICACIONES			CODE
Drive of the upper feed drums				8.0.0
DEVELOPED BY	REDESIGNED BY	FILENAME	QTY	
		8_CPY.ipn	2	
		LICENSE	DOC. TYPE	SCALE
		CC-BY-SA 4.0	Assembly	1 : 15
				SHEET
				207 /215

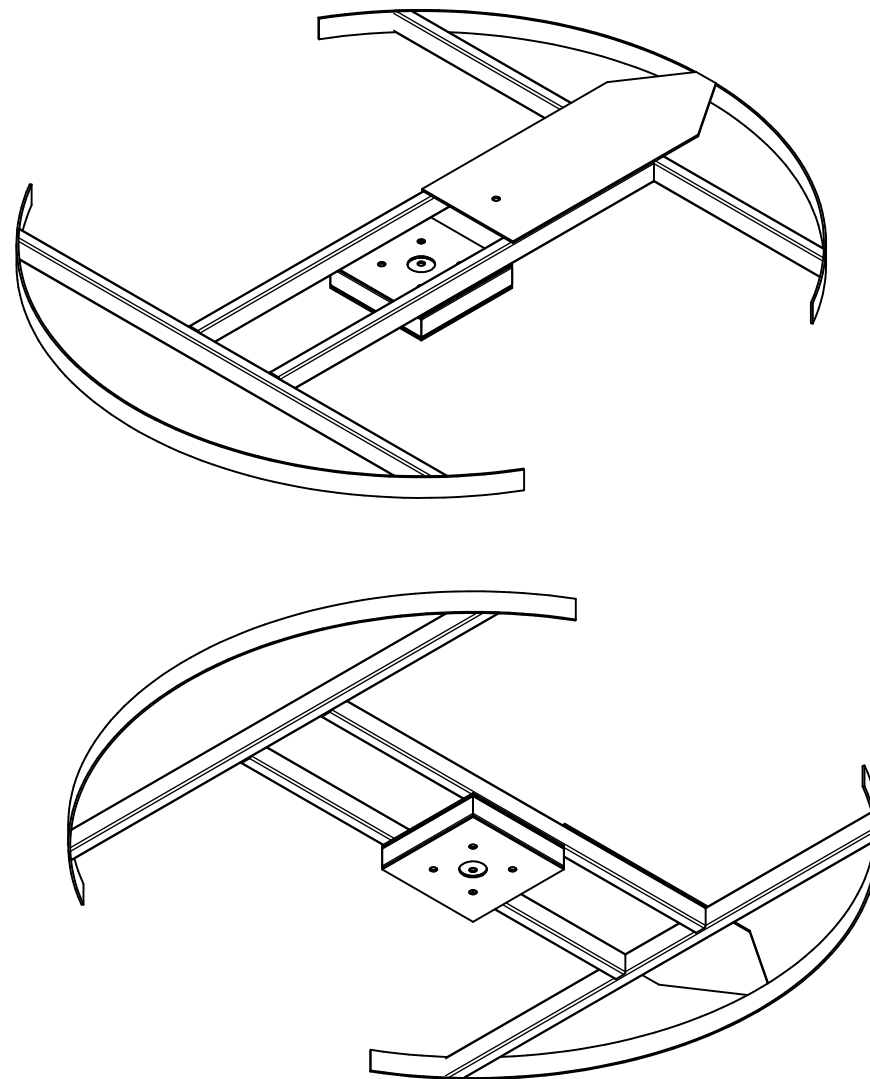
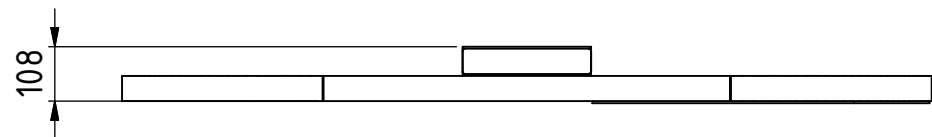
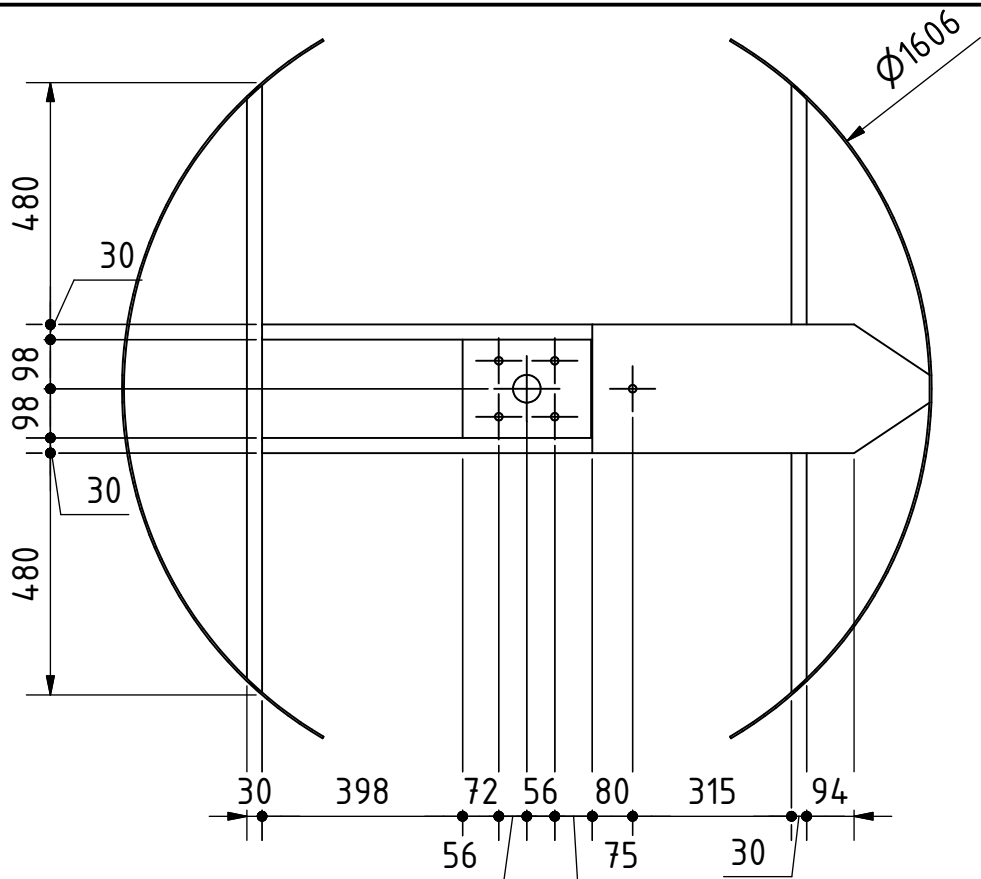


OHO e.V.

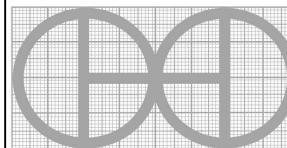
Hanfasser



PROJECT	CREATED BY	APPROVED BY	DATE	VERSION	
Vertical Drum Hemp Harvester	A. Morillo	D. Jaeger	22-05-2024	0.06	
PART NAME	SPECIFICACIONES			CODE	
Torque support	Steel 235J2			8.2.0	
DEVELOPED BY	REDESIGNED BY	FILENAME		QTY	
Hanfasser		OHO e.V. 8.2.ipt		1	
		LICENSE	DOC. TYPE	SCALE	SHEET
		CC-BY-SA 4.0	Part	2 : 5	208 /215

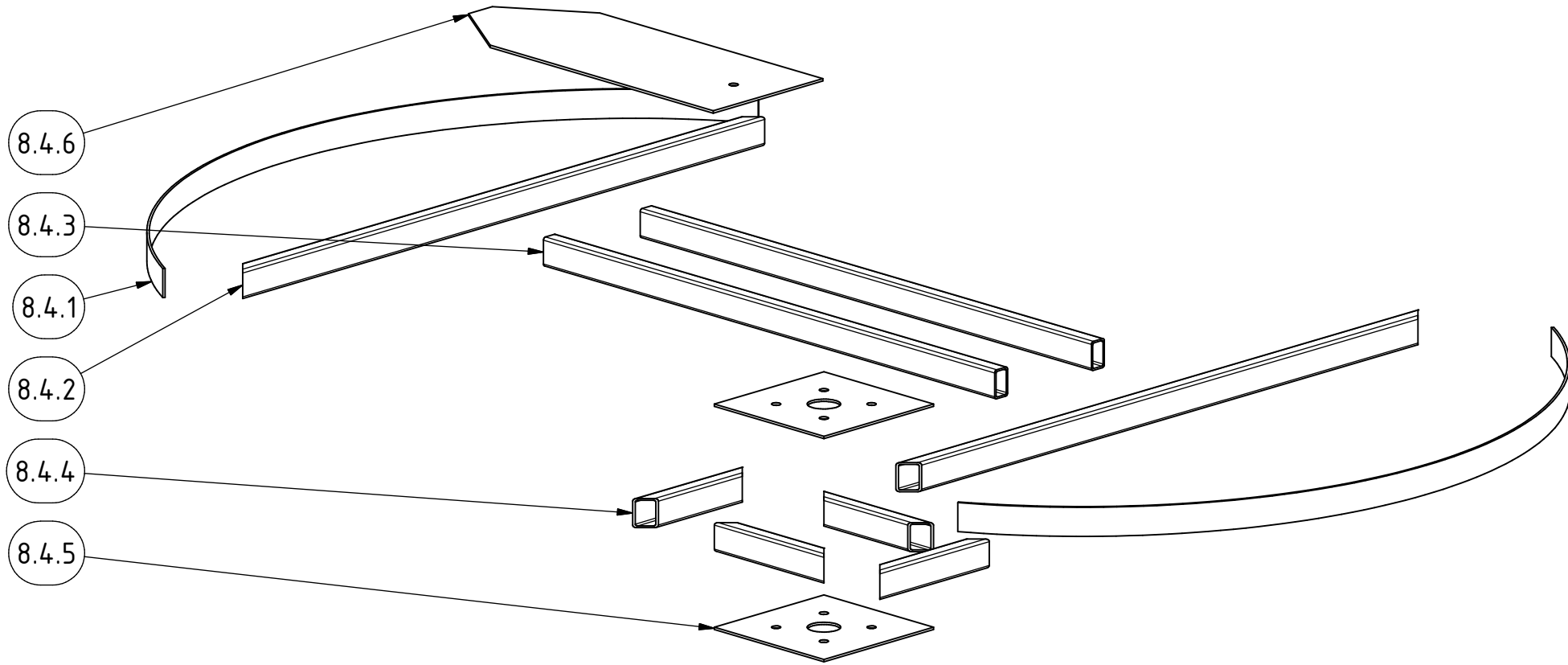


PROJECT	CREATED BY	APPROVED BY	DATE	VERSION
Vertical Drum Hemp Harvester	A. Morillo	D. Jaeger	22-05-2024	0.06
PART NAME	SPECIFICACIONES			CODE
Support frame				8.4.0
DEVELOPED BY	REDESIGNED BY	FILENAME		QTY
		Frame 1712437576693.iam		1
		LICENSE	DOC. TYPE	SCALE
		CC-BY-SA 4.0	Assembly	1 : 15
				SHEET
				209 / 215

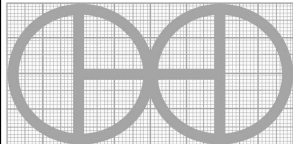


OHO e.V.

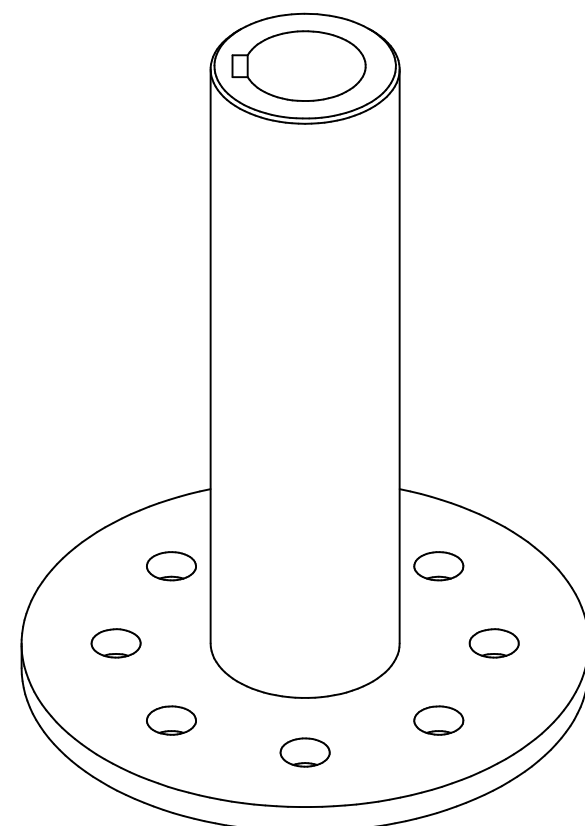
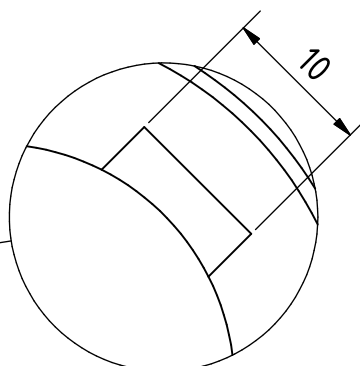
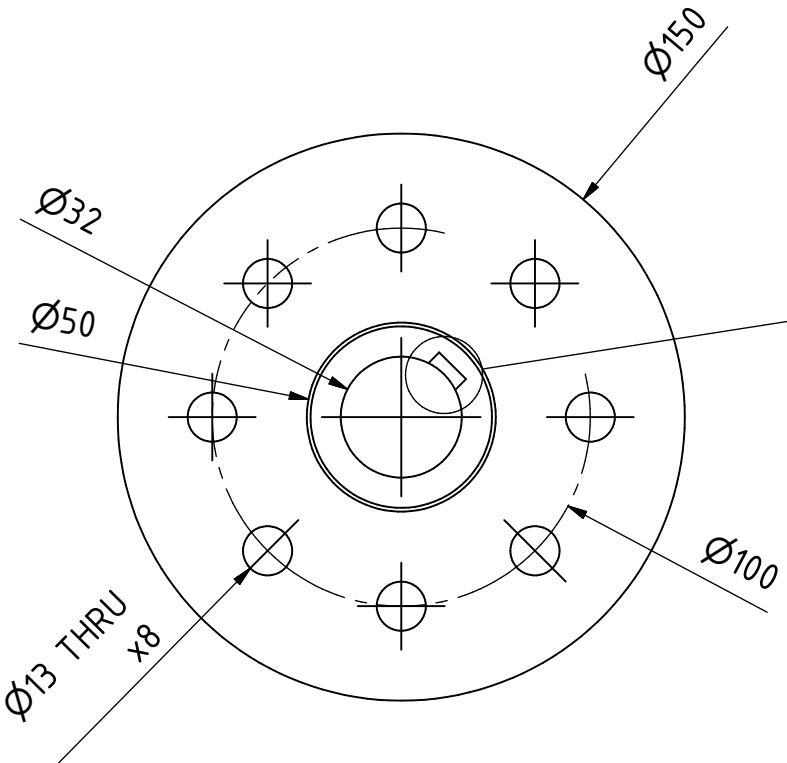
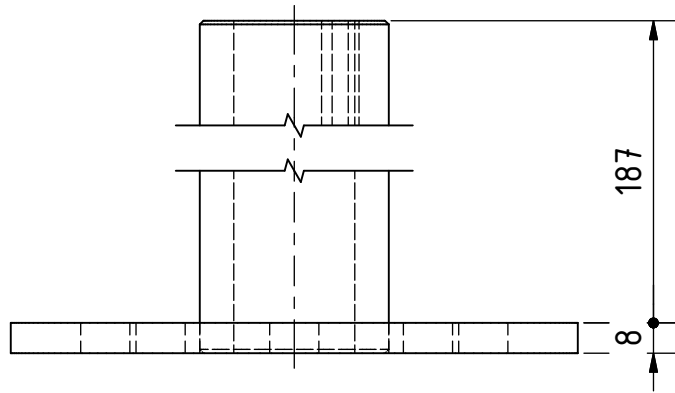
Hanfasser

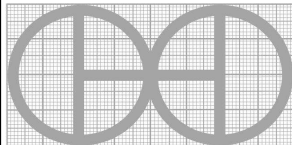


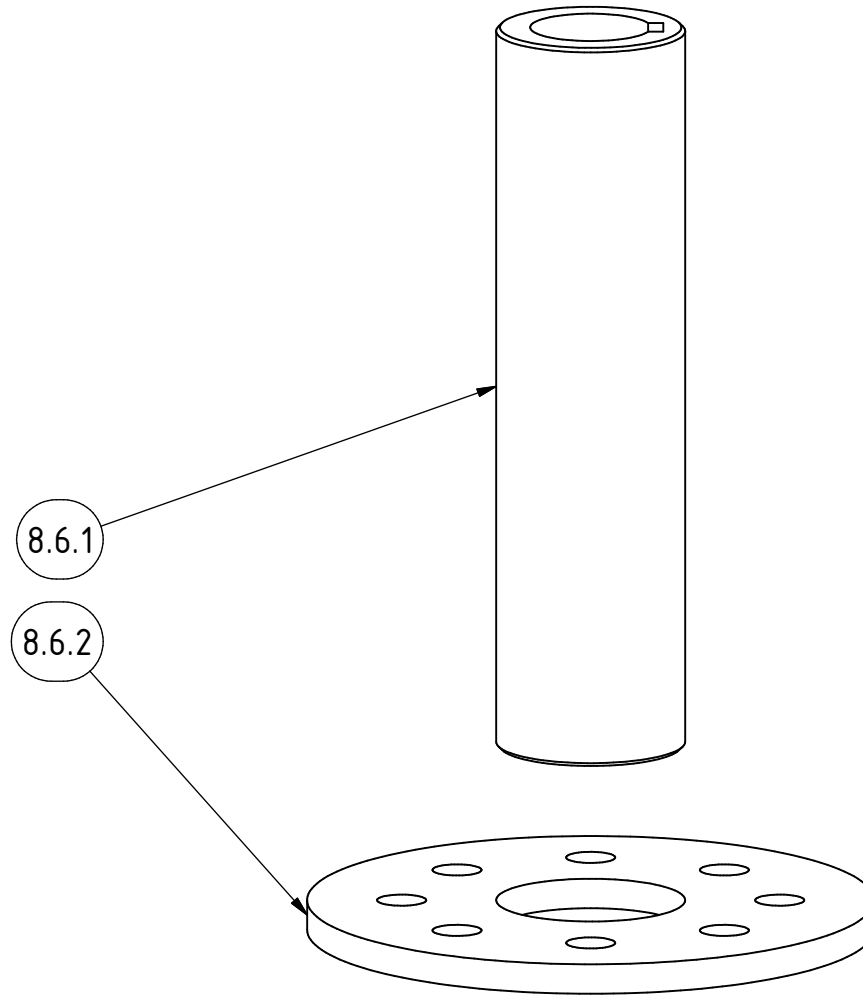
The details of these pieces will be added after confirmation

PROJECT	CREATED BY	APPROVED BY	DATE	VERSION
Vertical Drum Hemp Harvester	A. Morillo	D. Jaeger	22-05-2024	0.06
PART NAME	SPECIFICACIONES			CODE
Support frame				8.4.0
DEVELOPED BY	REDESIGNED BY	FILENAME		QTY
		8.4.ipn		1
		LICENSE	DOC. TYPE	SCALE
Hanfasser		CC-BY-SA 4.0	Assembly	1 : 10
				SHEET
				210 /215

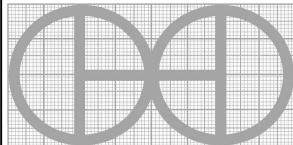
OHO e.V.



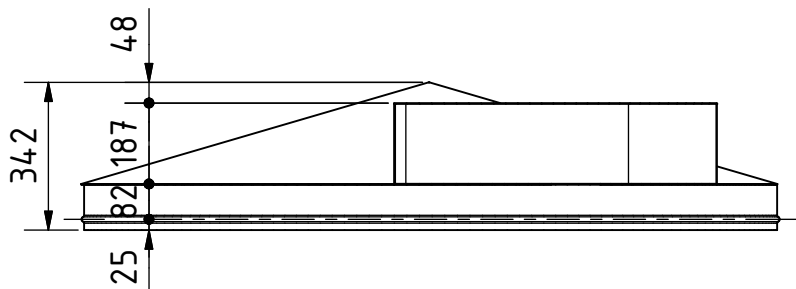
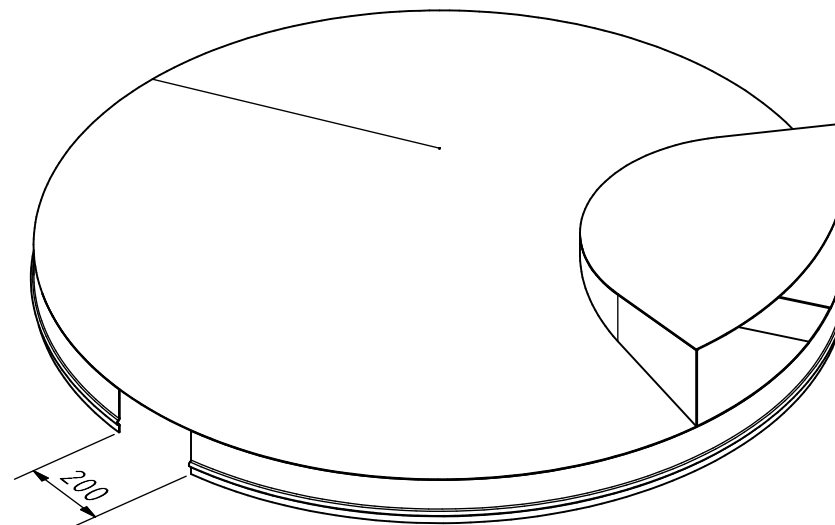
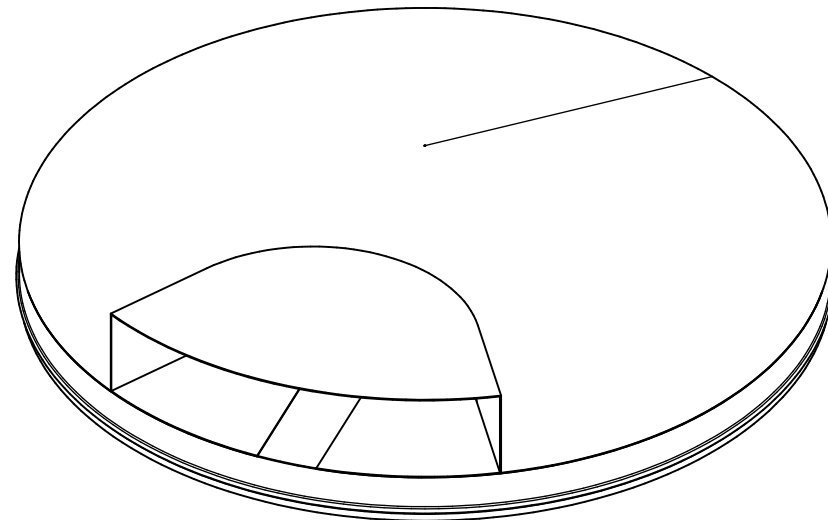
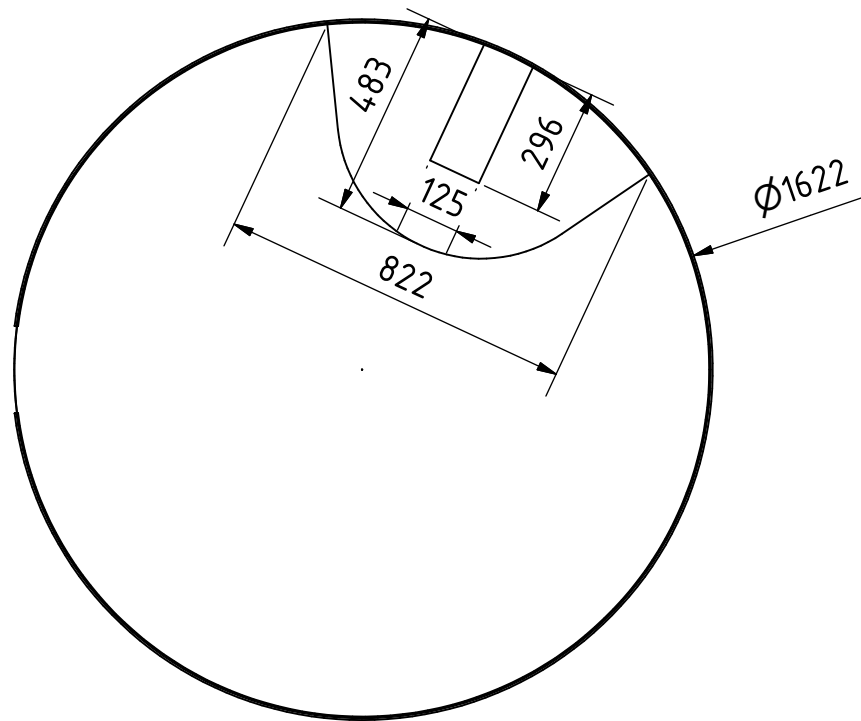
PROJECT	CREATED BY	APPROVED BY	DATE	VERSION
Vertical Drum Hemp Harvester	A. Morillo	D. Jaeger	22-05-2024	0.06
PART NAME	SPECIFICACIONES			CODE
Axle with flange				8.6.0
DEVELOPED BY	REDESIGNED BY	FILENAME		QTY
		8.6.iam		1
Hanfasser		LICENSE	DOC. TYPE	SCALE
		CC-BY-SA 4.0	Assembly	1 : 2
				SHEET
				211 /215



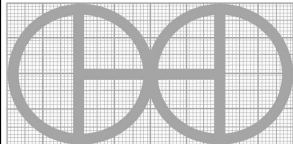
The details of these pieces will be added after confirmation

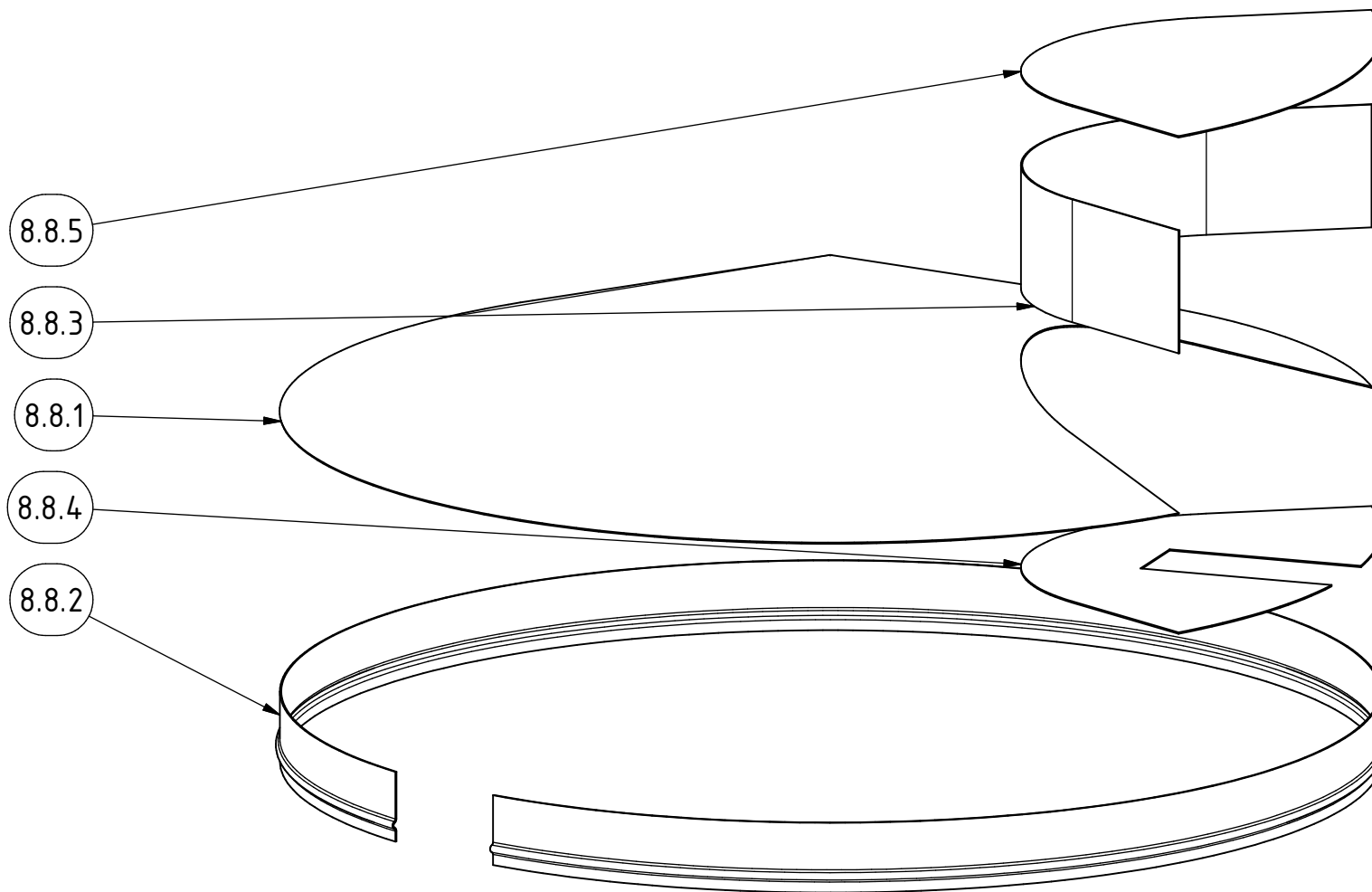
PROJECT	CREATED BY	APPROVED BY	DATE	VERSION
Vertical Drum Hemp Harvester	A. Morillo	D. Jaeger	22-05-2024	0.06
PART NAME	SPECIFICACIONES			CODE
Axle with flange				8.6.0
DEVELOPED BY	REDESIGNED BY	FILENAME		QTY
		8.6.ipn		1
Hanfasser		LICENSE	DOC. TYPE	SCALE
		CC-BY-SA 4.0	Assembly	1 : 2
				SHEET
				212 /215

OHO e.V.

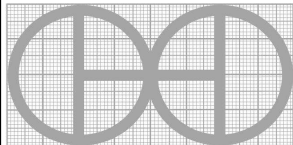


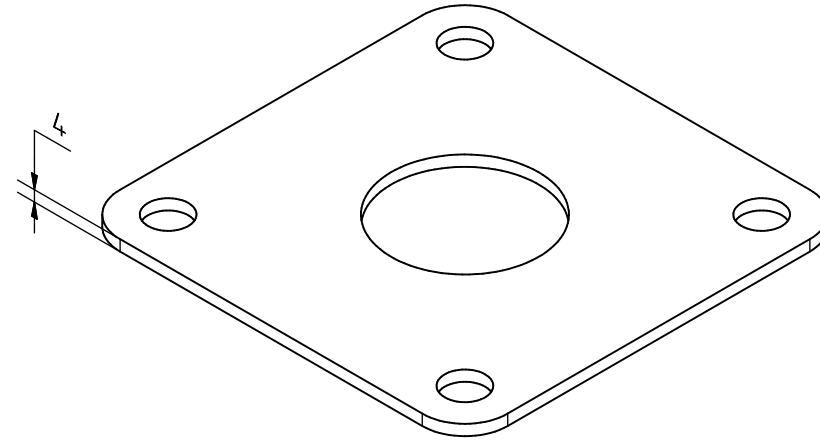
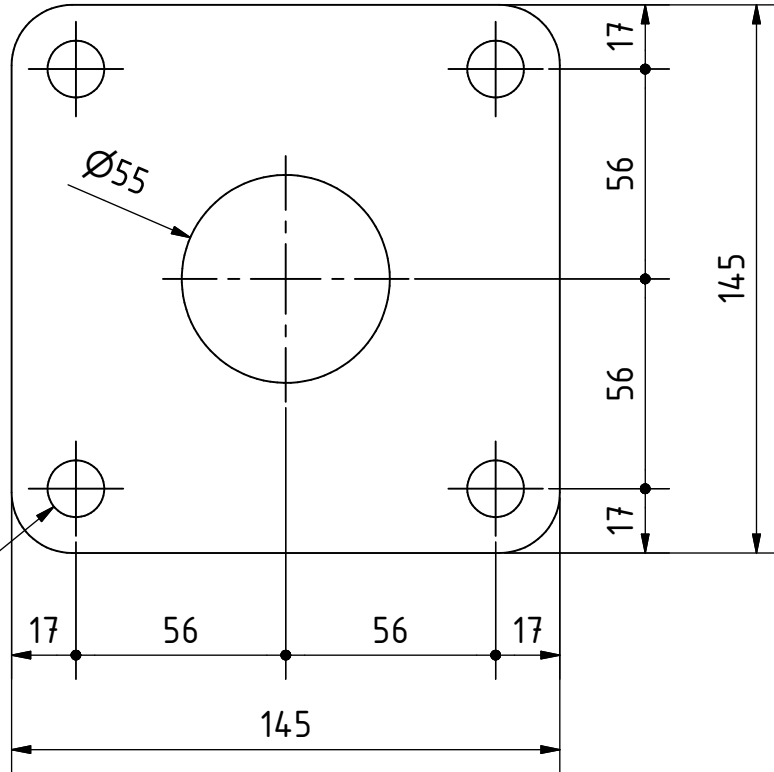
Symetrical sets

PROJECT	CREATED BY	APPROVED BY	DATE	VERSION
Vertical Drum Hemp Harvester	A. Morillo	D. Jaeger	22-05-2024	0.06
PART NAME	SPECIFICACIONES			CODE
Drum roof				8.8.0
DEVELOPED BY	REDESIGNED BY	FILENAME	QTY	
		8.8.iam	1	
Hanfasser		OHO e.V. LICENSE	DOC. TYPE	SCALE
		CC-BY-SA 4.0	Assembly	2 : 35
				SHEET
				213 /215

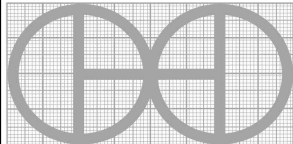


The details of these pieces will be added after confirmation

PROJECT	CREATED BY	APPROVED BY	DATE	VERSION
Vertical Drum Hemp Harvester	A. Morillo	D. Jaeger	22-05-2024	0.06
PART NAME	SPECIFICACIONES			CODE
Drum roof				8.8.0
DEVELOPED BY	REDESIGNED BY	FILENAME		QTY
		8.8.ipn		1
Hanfasser		LICENSE	DOC. TYPE	SCALE
		CC-BY-SA 4.0	Assembly	1 : 10
				SHEET
				214 /215



Holes for Bearing UCF210

PROJECT	CREATED BY	APPROVED BY	DATE	VERSION	
Vertical Drum Hemp Harvester	A. Morillo	D. Jaeger	22-05-2024	0.06	
PART NAME	SPECIFICACIONES			CODE	
Reinforcement plate	Steel 235J2			8.9.0	
DEVELOPED BY	REDESIGNED BY	FILENAME	QTY		
Hanfasser		1.8.ipt	2		
		LICENSE	DOC. TYPE	SCALE	SHEET
		CC-BY-SA 4.0	Part	1 : 2	215 /215