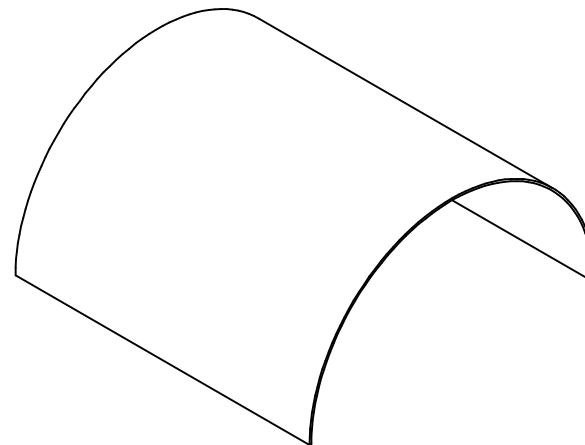
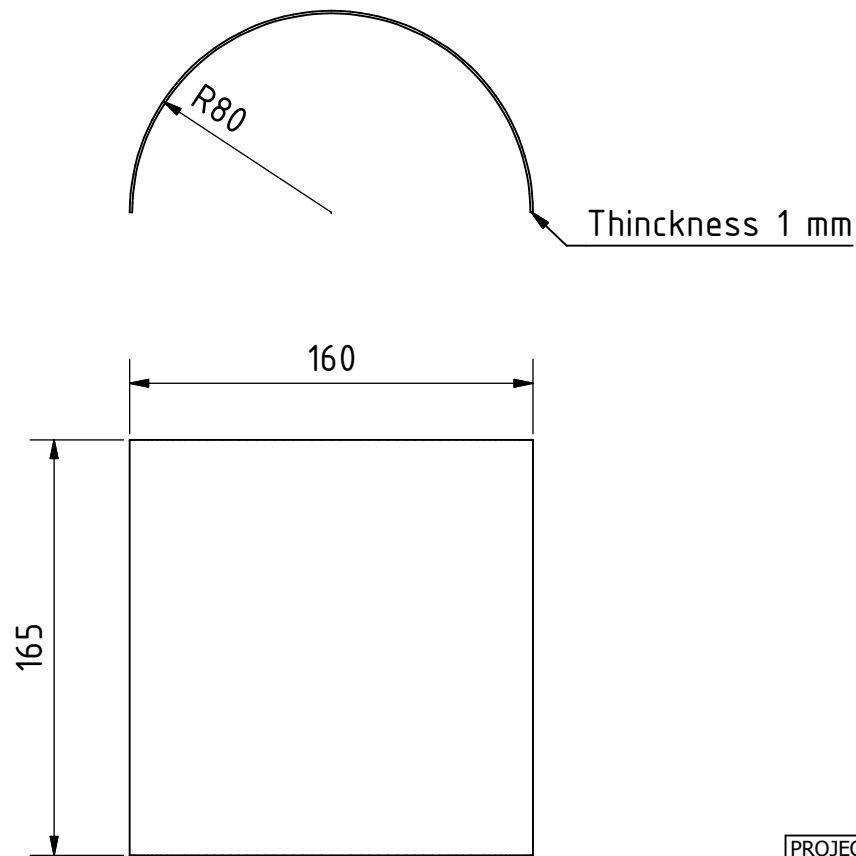


ELEVATION (1 : 3)



Note: All units in mm.

PROJECT Hand Operated Winnower for groundnut		CREATED BY J. Zeron	APPROVED BY A. Morillo	DATE 09/08/2021	VERSION 1.0
PART NAME Cover under		FILE NAME Cover under.ipt			POS 3.12
DEVELOPED BY Tropical Products Institut	REDESIGNED BY OHO e.V.	DOC. TYPE Part	MATERIAL 1mm thick alum alloy	QUANTITY 1	
		LICENCE CC-BY-SA 4.0	SCALE 1:3	SHEET 29 /45	