
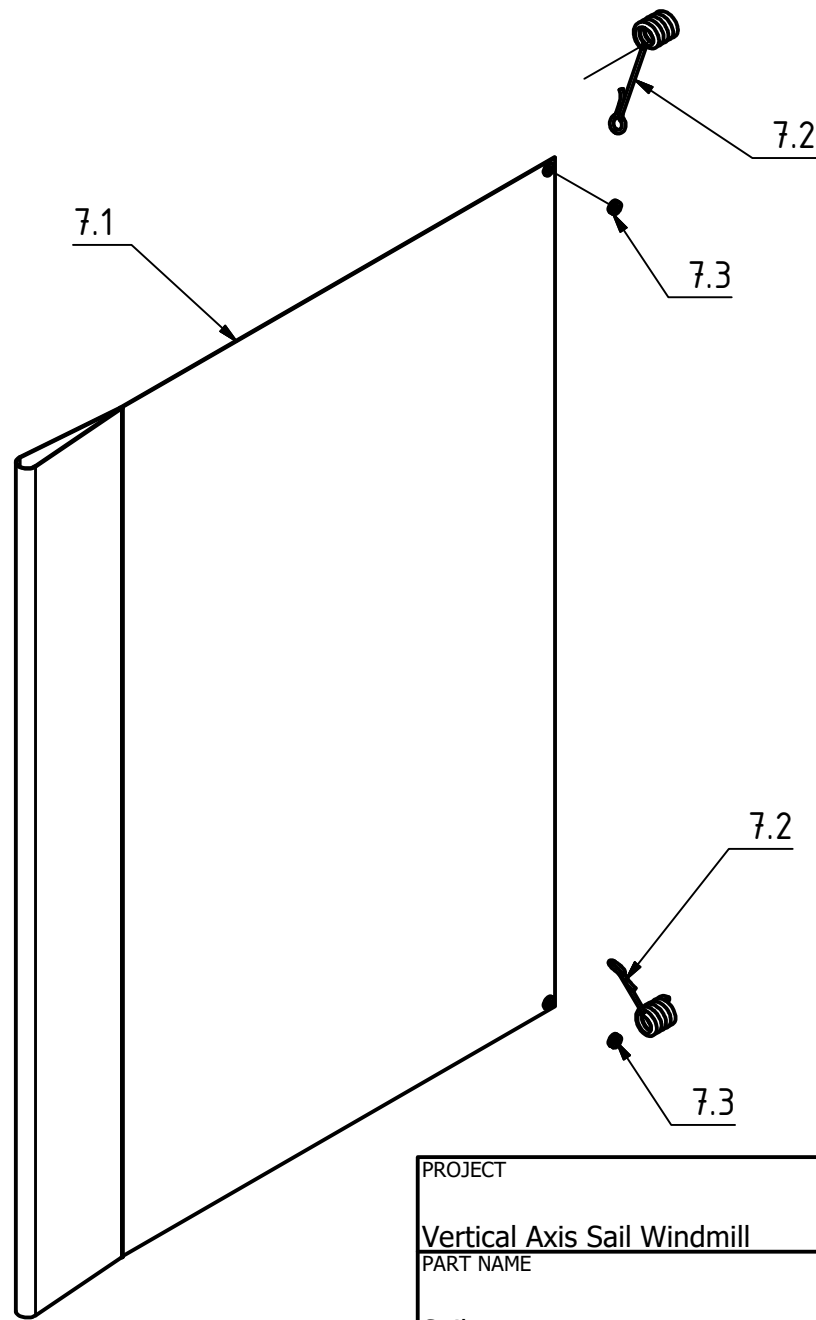



Note: All units in mm.

PROJECT	CREATED BY	APPROVED BY	DATE	VERSION
Vertical Axis Sail Windmill	D. Mosquera	A. Morillo	12/07/2021	1.0
PART NAME	FILE NAME			POS
Sail	oho_vsw_sail.iam			7.0
DEVELOPED BY	REDESIGNED BY	DOC. TYPE	MATERIAL	QUANTITY
Low Energy Systems	 OPEN SOURCE ECOLOGY GERMANY	Assembly		4
		OSEG	LICENCE	SCALE
		CC-BY-SA 4.0	1:10	25 /27



PROJECT	CREATED BY	APPROVED BY	DATE	VERSION
Vertical Axis Sail Windmill	D. Mosquera	A. Morillo	12/07/2021	1.0
PART NAME	FILE NAME			POS
Sail	oho_vsw_sail.ipn			7.0
DEVELOPED BY	REDESIGNED BY	DOC. TYPE	MATERIAL	QUANTITY
	 OPEN SOURCE ECOLOGY GERMANY	Assembly		4
Low Energy Systems		OSEG	LICENCE	SCALE
		CC-BY-SA 4.0	1:20	26 /27