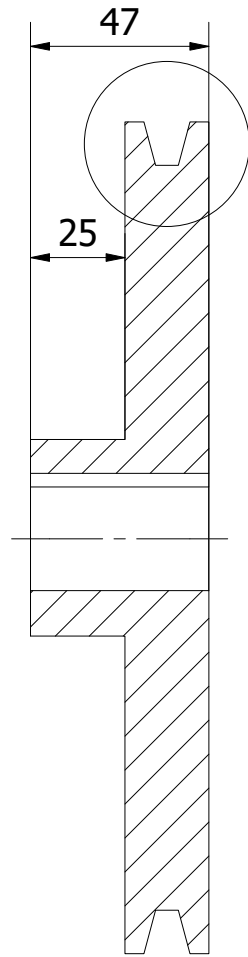
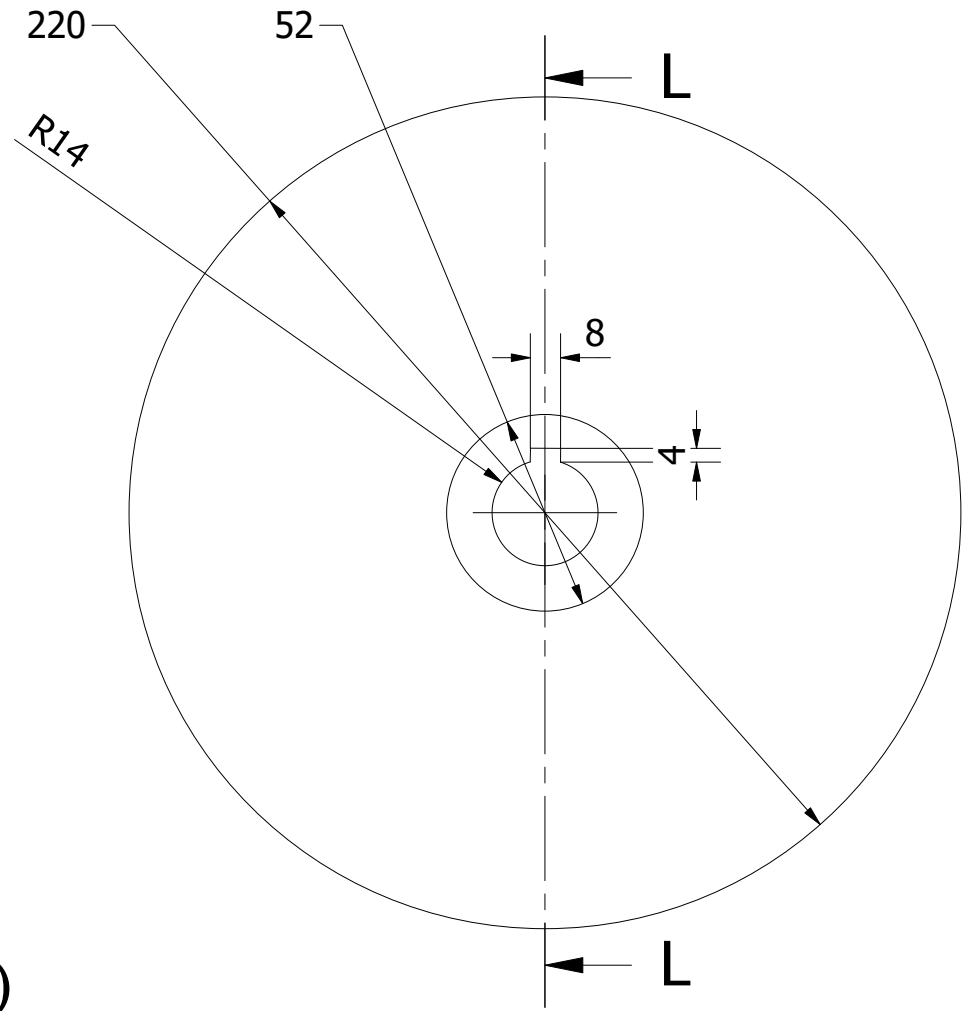



M (2 : 1)



L-L (1 : 2)



Note: All units in mm.

PROJECT	CREATED BY	APPROVED BY	DATE	VERSION
Pottery wheel	J. Rosciano	A. Morillo	17/06/2021	1.2
PART NAME	FILE NAME			POS
Wheelhead pulley	2.4_Wheelhead_Pulley.ipt			2.4
DEVELOPED BY	REDESIGNED BY	DOC. TYPE	MATERIAL	QUANTITY
		Part	DIN C45	1
Practical Action	OHO e.V.	LICENCE	SCALE	SHEET
		CC-BY-SA 4.0	1/2	23 /46