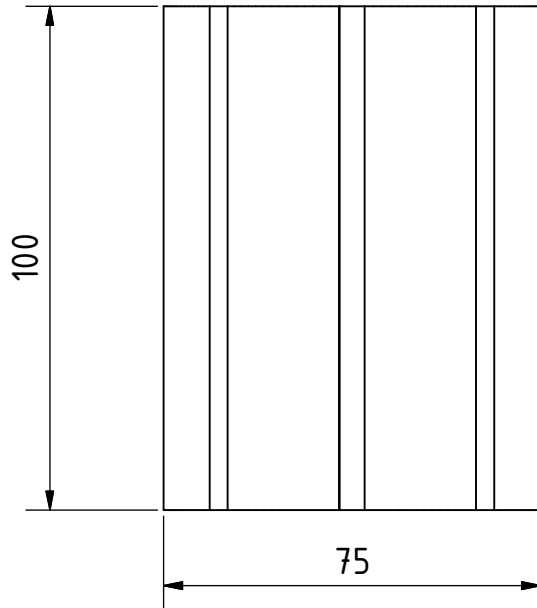
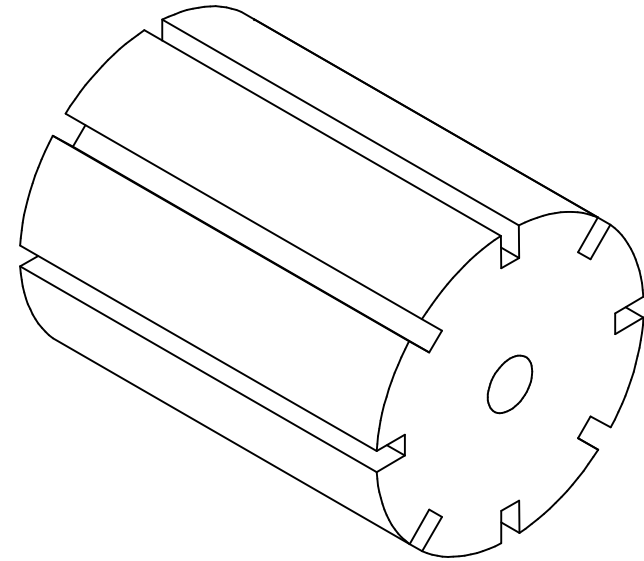
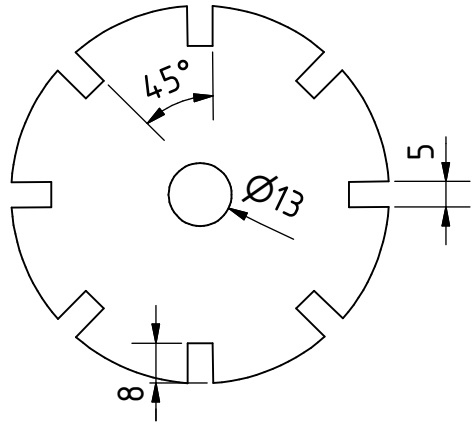


ELEVATION (1 : 1.5)



Note: All units in mm.

| | | | | | |
|--|---------------------------|-------------------------|---------------------------|--------------------|----------------|
| PROJECT Hand Operated Winnowing for groundnut | | CREATED BY J. Zeron | APPROVED BY A. Morillo | DATE 09/08/2021 | VERSION 1.0 |
| PART NAME Body | | FILE NAME Body.ipt | | | POS 7.1 |
| DEVELOPED BY Tropical Products Institut | REDESIGNED BY OHO e.V. | DOC. TYPE Part | MATERIAL Hard wood | QUANTITY 1 | |
| | | LICENCE CC-BY-SA 4.0 | SCALE 1:1.5 | SHEET 44 /45 | |