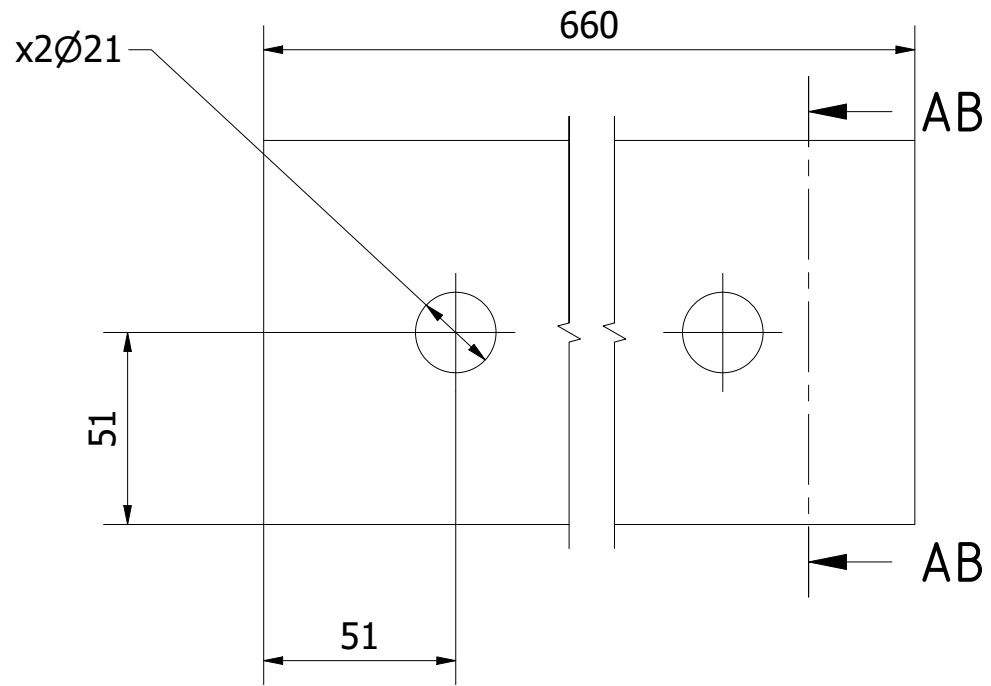
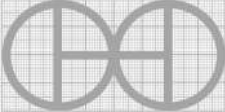


AB-AB (1 : 2)



Note: All units in mm.

PROJECT	CREATED BY	APPROVED BY	DATE	VERSION
Hay and Leaf Baler	J. Rosciano	A. Morillo	10/08/2021	1.1
PART NAME	FILE NAME			POS
Link B	4.2_Link B.ipt			4.2
DEVELOPED BY	REDESIGNED BY	DOC. TYPE	MATERIAL	QUANTITY
		Part	Kiln dried wood	2
Larry McWilliams	OHO e.V.	LICENCE	SCALE	SHEET
		CC-BY-SA 4.0	1/2	23 /44