



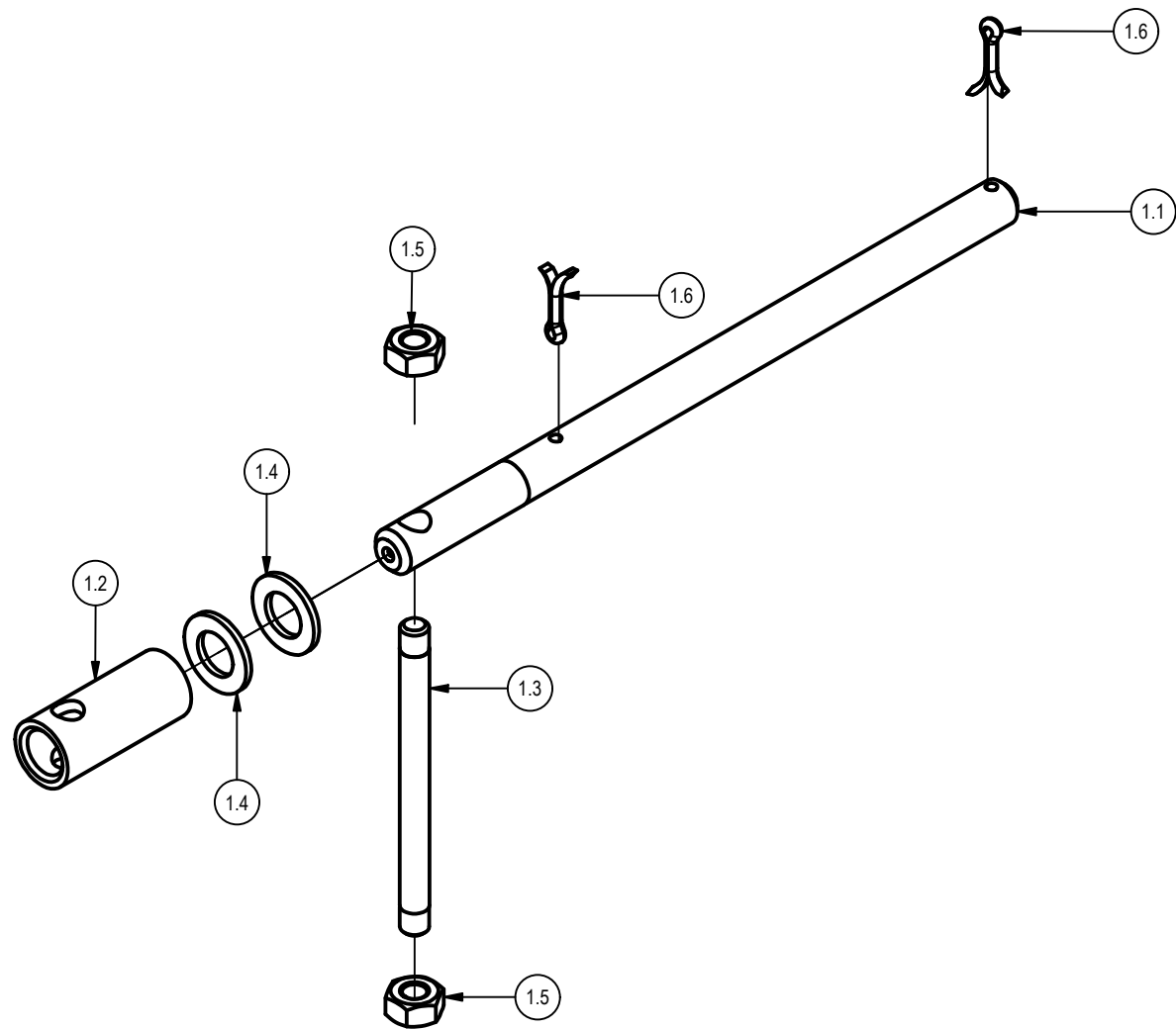




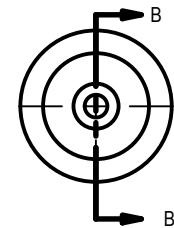
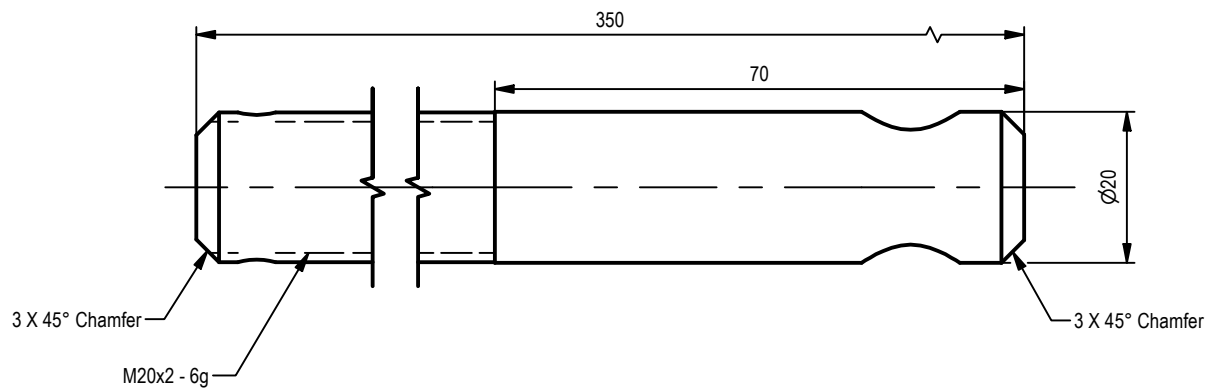
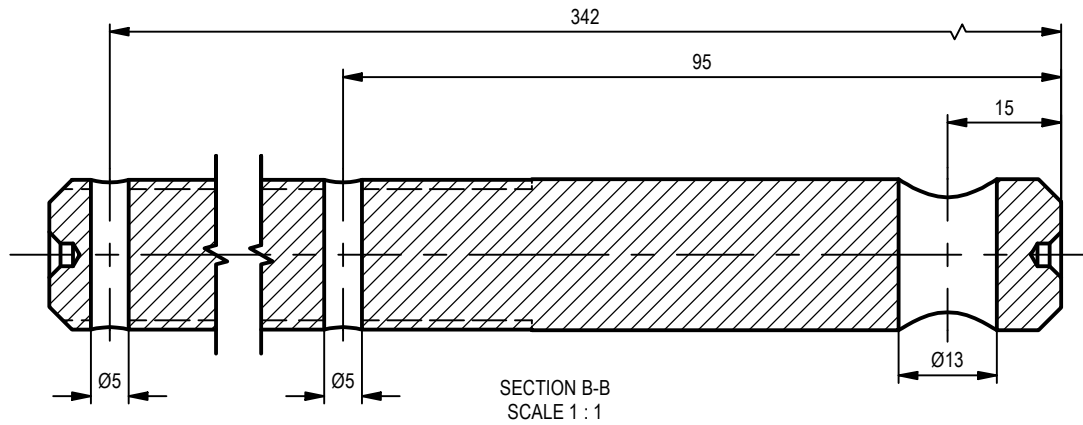
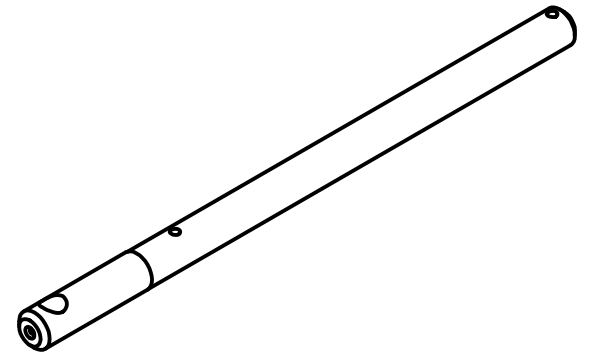
PROJECT BENCH VICE	CREATED BY A. PARDO	APPROVED BY		
PART NAME BENCH VICE	PART CODE 1	DOCUMENT TYPE ASSAMBLY	MATERIAL STEEL METAL	
 OPEN SOURCE ECOLOGY GERMANY	LICENSE 	FILE NAME BENCH VICE.iam	VERSION 1.0	QUANTITY 1
		SCALE 1 / 4	SHEET 1	DATE 27/9/2020



PARTS LIST						
POS.	POS. OLD	QTY	PART NAME	FILE NAME	PART TYPE	SPECIFICATIONS
1		1	SPLINDE		ASSAMBLY	
1.1		1	THERAD	therad.ipt	PART.	
1.2		1	BOSS	boss.ipt	PART	
1.3		1	HANDLE	hamdle.ipt	PART	
1.4		1	WASHERS	washers.ipt	PART	
1.5		1	ISO 4714 -M12	ISO 7414 - M12.ipt	PART	
1.6		1	SPLIT PIL	ISO 1234 - 5x24 - 20.ipt	PART	
2		1	MOBILE CLAMPING JAW		ASSAMBLY	
2.1		1	JAW	jaw.ipt	PART	
2.2		1	SLIDE TOWER	slide tower.ipt	PART	
2.3		1	TOWER TOP	tower top.ipt	PART	
2.4		1	SLIDE BACK	slide back.ipt	PART	
2.5		1	HEX JAM NUT	ansi b18.2.4.5m-m10 x 15-16.ipt	PART	
2.6		1	BACK SUPPORT	back support	PART	
2.7		1	SLIDE	slide.ipt	PART	
2.8		1	ISO 1207-M10 x 25	ISO 1207-M10 x 25.ipt	PART	
3		1	FIEXD CAMPING LAW		ASSAMBLY	
3.1		1	BASE	base.ipt	PART	
3.2		1	BODY SIDE	body side.ipt	PART	
3.3		1	BODY TOP	body top.ipt	PART	
3.4		1	NUT	nut.ipt	PART	
3.5		1	BODY TOWER	body tower.ipt	PART	
3.6		1	BODY BACK	body back.ipt	PART	

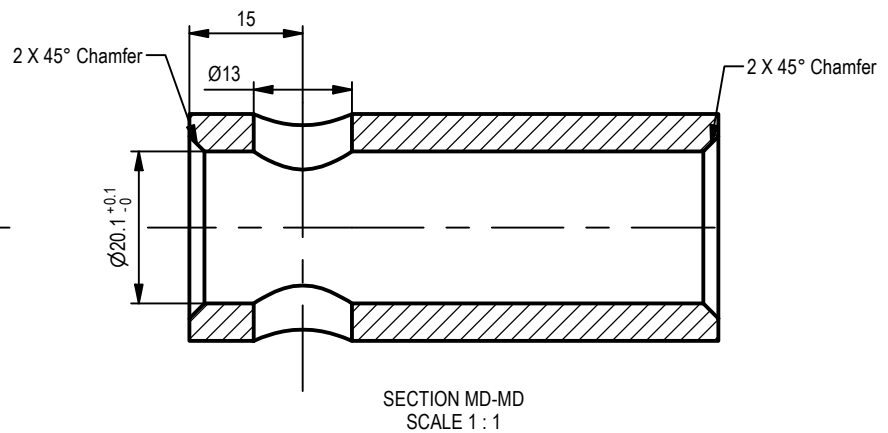
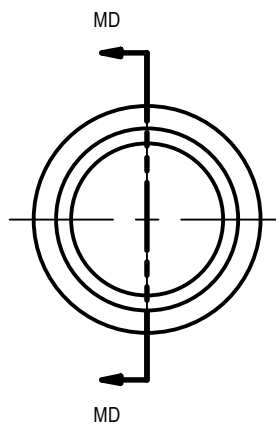
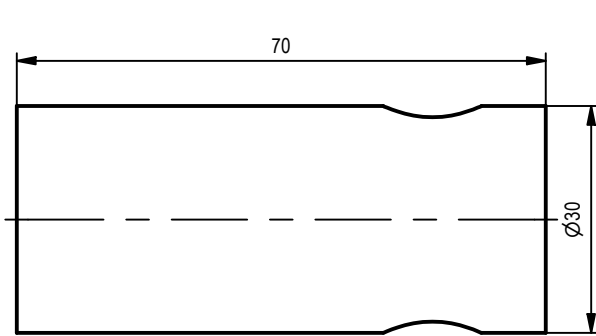
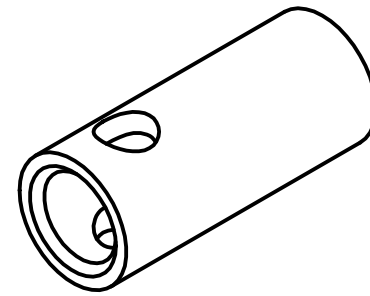
PROJECT BENCH VICE	CREATED BY A. PARDO	APPROVED BY			
PART NAME BENCH VICE	PART CODE	DOCUMENT TYPE ASSAMBLY	MATERIAL STEEL MEATL		
	LICENSE 	FILE NAME PARTS LIST.iam	VERSION 1.0	QUANTITY 1	
		SCALE 1 / 4	SHEET 2/21	DATE 27/9/2020	





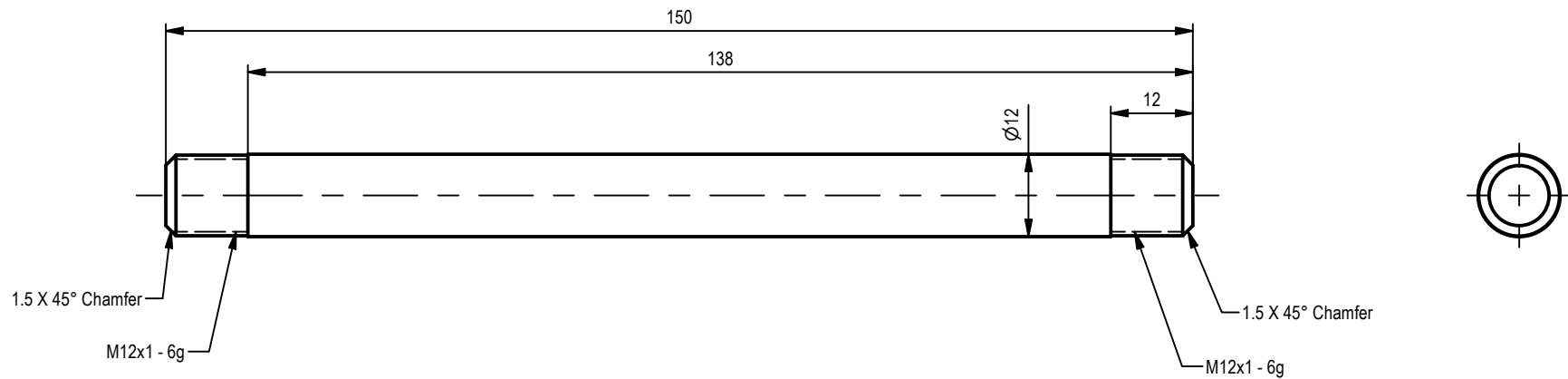
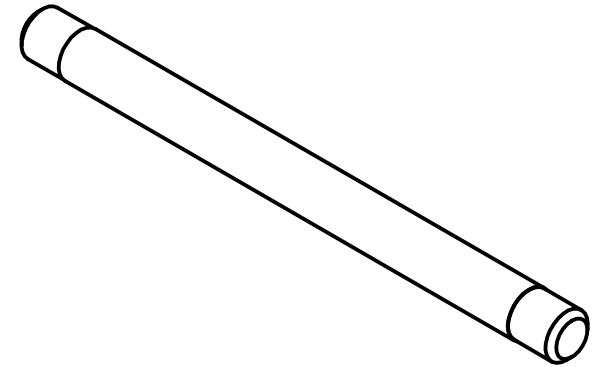
PROJECT BENCH VICE	CREATED BY A. PARDO	APPROVED BY		
PART NAME SPINDLE	PART CODE 1	DOCUMENT TYPE ASSAMBLY	MATERIAL STEEL METAL	
 OPEN SOURCE ECOLOGY GERMANY	LICENSE 	FILE NAME SPINDLE.iam	VERSION 1.0	QUANTITY 1
		SCALE 1:3	SHEET 3/21	DATE 21/9/2020





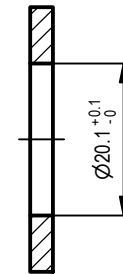
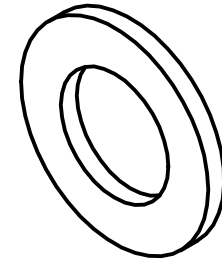
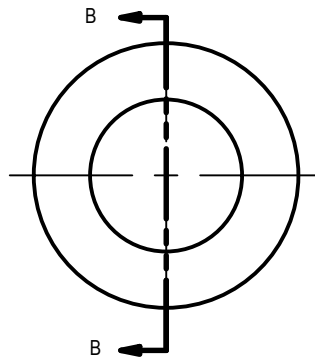
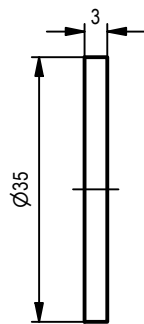
PROJECT BENCH VICE	CREATED BY A. PARDO	APPROVED BY		
PART NAME THERAD	PART CODE 1.1	DOCUMENT TYPE PART	MATERIAL STEEL METAL	
 <small>OPEN SOURCE ECOLOGY GERMANY</small>	LICENSE 	FILE NAME therad.ipt	VERSION 1.0	QUANTITY 1
		SCALE 1:1	SHEET 4/21	DATE 29/3/2020





PROJECT BENCH VICE	CREATED BY A. PARDO	APPROVED BY		
PART NAME BOSS	PART CODE 1.2	DOCUMENT TYPE PART	MATERIAL STEEL METAL	
	LICENSE 	FILE NAME boss.ipt	VERSION 1.0	QUANTITY 1
		SCALE 1 : 1	SHEET 5/21	DATE 29/3/2020



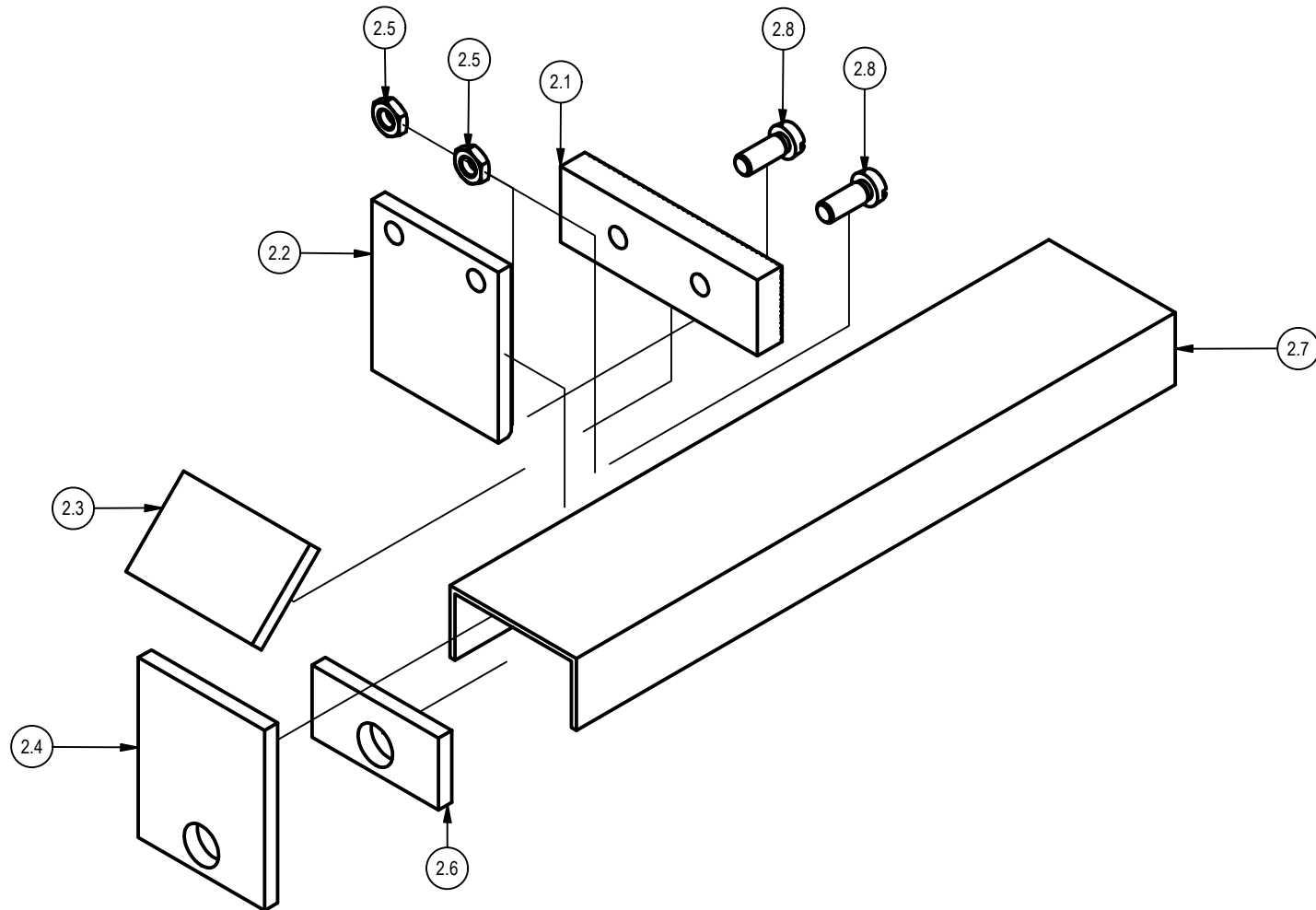
PROJECT BENCH VICE	CREATED BY A. PARDO	APPROVED BY		
PART NAME HANDLE	PART CODE 1.3	DOCUMENT TYPE PART	MATERIAL STEEL METAL	
 <small>OPEN SOURCE ECOLOGY GERMANY</small>	LICENSE 	FILE NAME handle.ipt	VERSION 1.0	QUANTITY 1
		SCALE 1:1	SHEET 6/21	DATE 29/3/2020





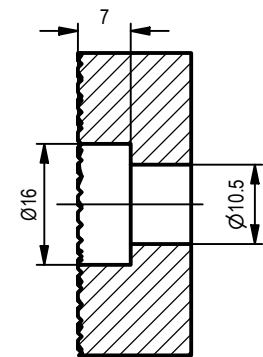
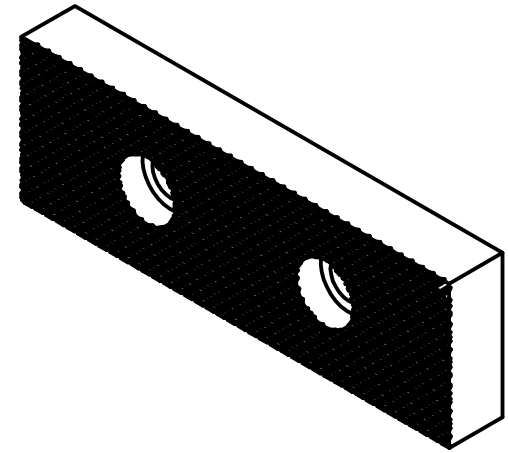
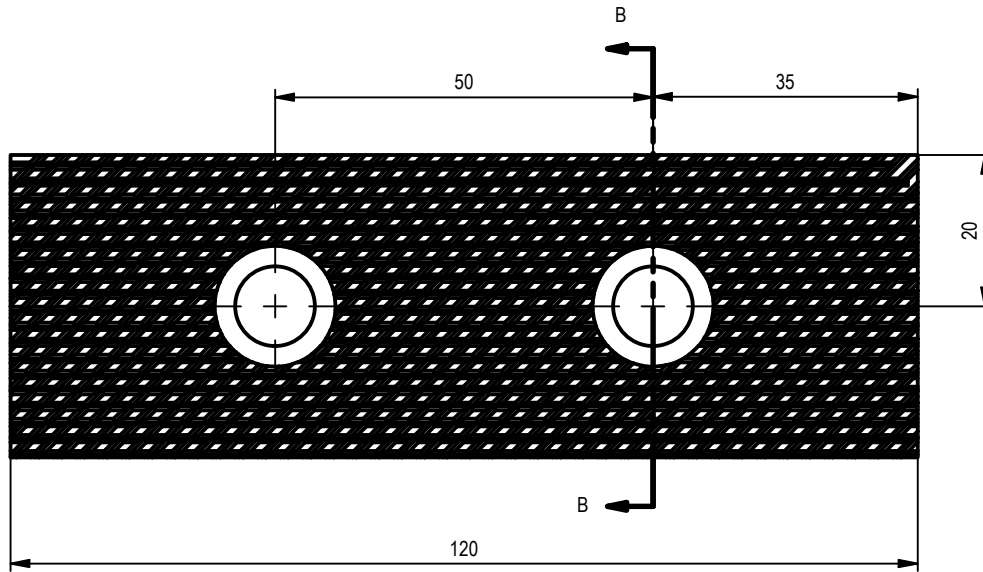
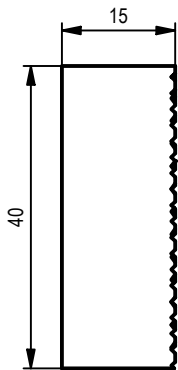
SECTION B-B
SCALE 1 : 1

PROJECT BENCH VICE	CREATED BY A. PARDO	APPROVED BY		
PART NAME WASHERS	PART CODE 1.4	DOCUMENT TYPE PART	MATERIAL STEEL METAL	
 OPEN SOURCE ECOLOGY GERMANY	LICENSE 	FILE NAME washers.ipt	VERSION 1.0	QUANTITY 1
		SCALE 1 : 1	SHEET 7/21	DATE 29/3/2020



MOBILE CLAMPING JAW

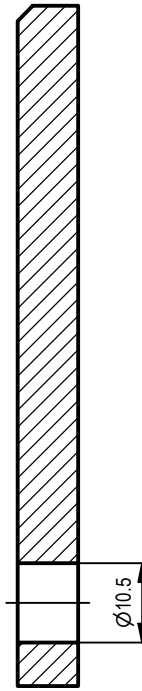
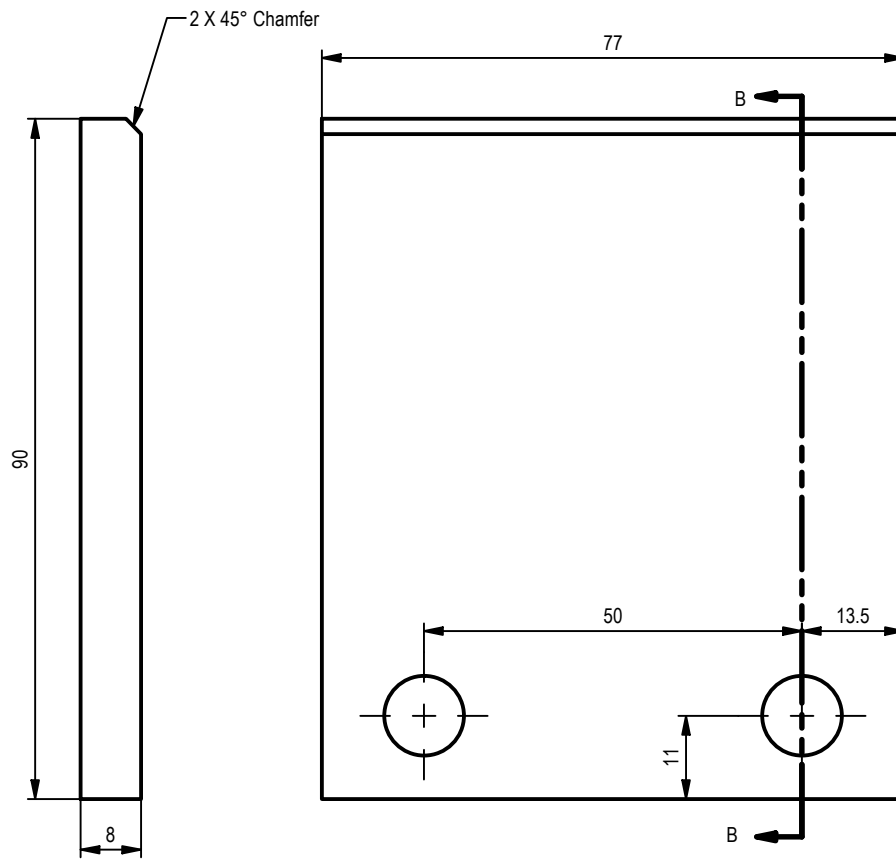


PROJECT BENCH VICE	CREATED BY A. PARDO	APPROVED BY		
PART NAME MOBILE CLAMPING JAW	PART CODE 2	DOCUMENT TYPE ASSAMBLY	MATERIAL STEEL METAL	
 OPEN SOURCE ECOLOGY GERMANY	LICENSE 	FILE NAME MOBILE CLAMPING JAW.iam	VERSION 1.0	QUANTITY 1
		SCALE 1 / 3	SHEET 8/21	DATE 21/9/2020

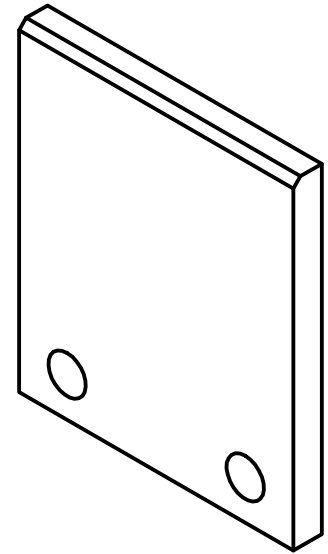




SECTION MD-MD
SCALE 1 : 1

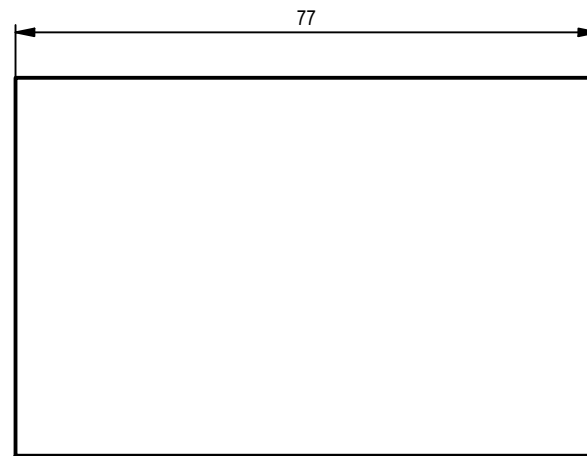
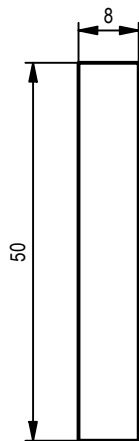
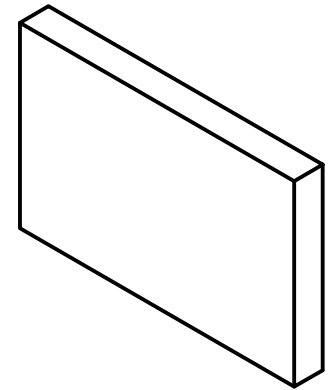
PROJECT BENCH VICE		CREATED BY A. PARDO		APPROVED BY	
PART NAME JAW		PART CODE 2.1		DOCUMENT TYPE PART	
 <p>OPEN SOURCE ECOLOGY GERMANY</p>		LICENSE 		MATERIAL STEEL METAL	
		FILE NAME jaw.ipt		VERSION 1.0	QUANTITY 1
		SCALE 1 : 1		SHEET 9/21	DATE 29/3/2020





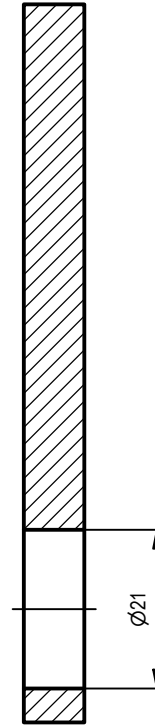
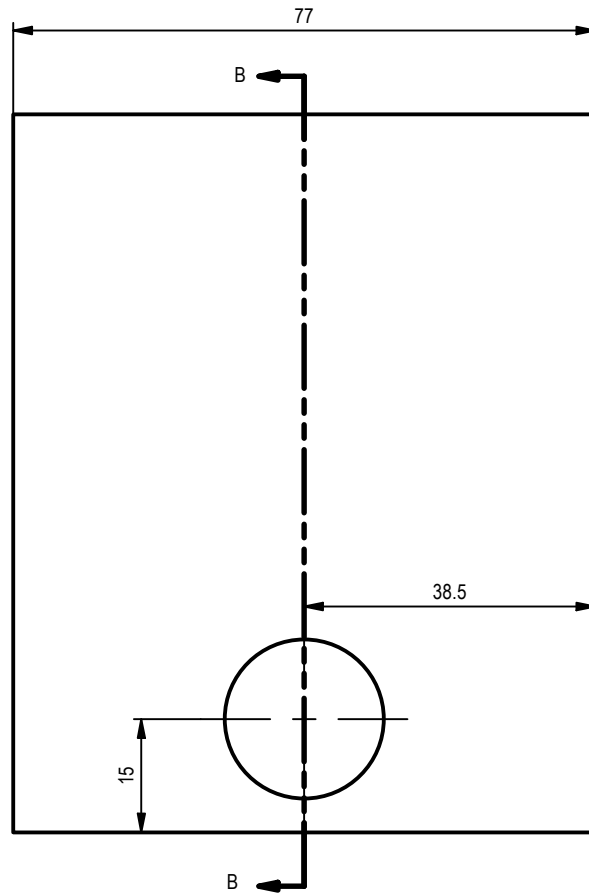
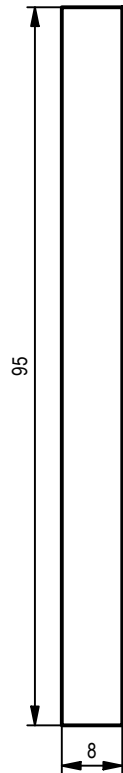
SECTION B-B
SCALE 1 : 1



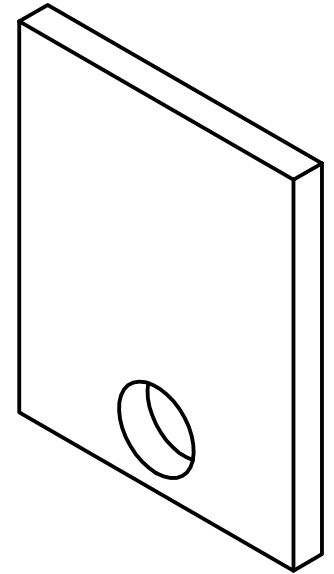
PROJECT BENCH VICE	CREATED BY A. PARDO	APPROVED BY		
PART NAME SLIDE TOWER	PART CODE 2.2	DOCUMENT TYPE PART	MATERIAL STEEL METAL	
 OPEN SOURCE ECOLOGY GERMANY	LICENSE 	FILE NAME slide tower.ipt	VERSION 1.0	QUANTITY 1
		SCALE 1 : 1	SHEET 10/21	DATE 29/3/2020





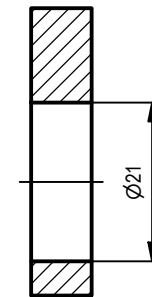
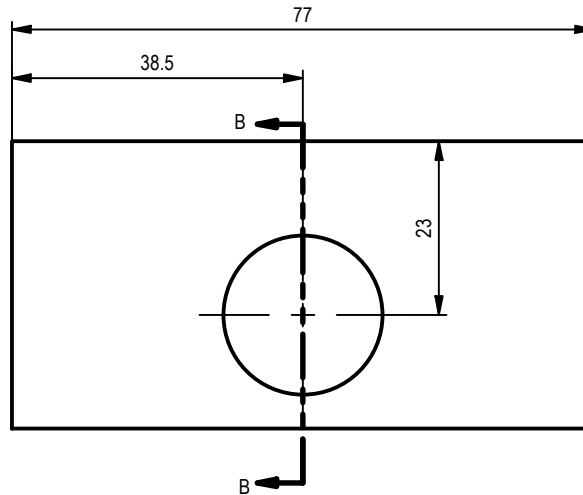
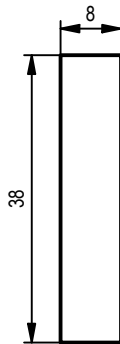
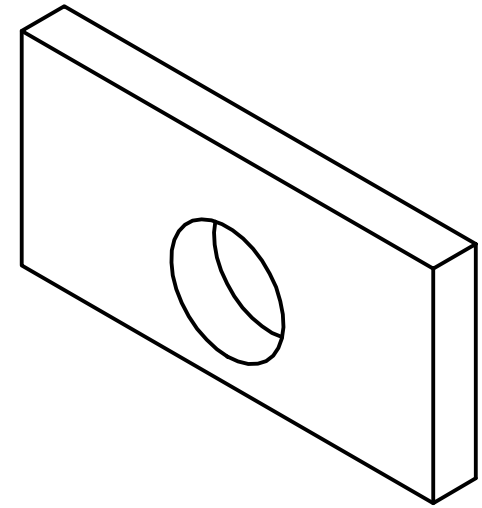
PROJECT BENCH VICE	CREATED BY A. PARDO	APPROVED BY			
PART NAME TOWER TOP	PART CODE 2.3	DOCUMENT TYPE PART	MATERIAL STEEL METAL		
 OPEN SOURCE ECOLOGY GERMANY	LICENSE 	FILE NAME tower top.ipt	VERSION 1.0	QUANTITY 1	
		SCALE 1:1	SHEET 11/21	DATE 29/3/2020	





SECTION B-B
SCALE 1 : 1

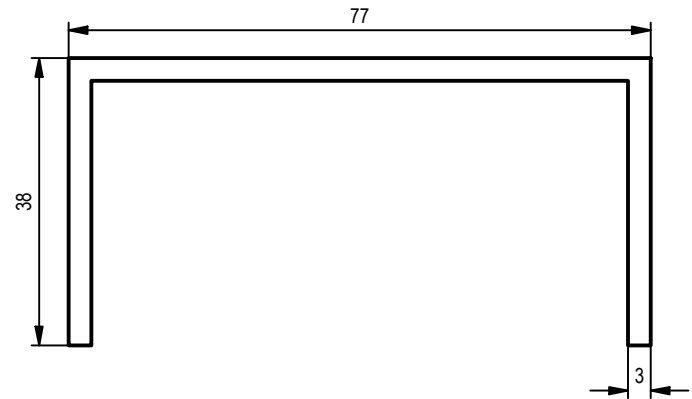
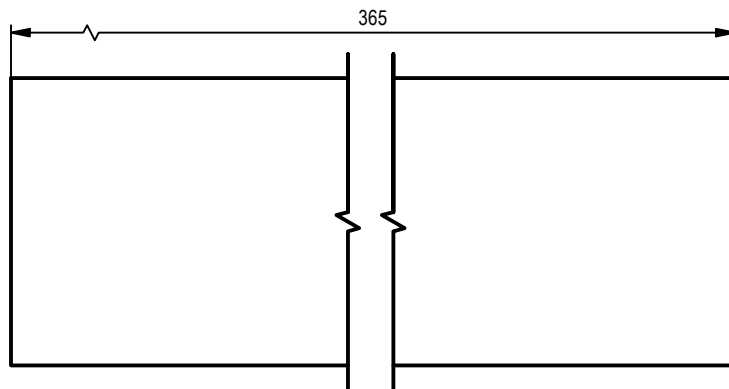
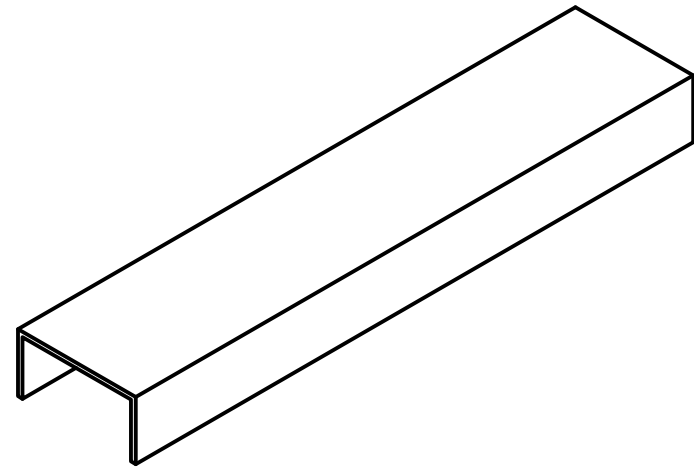




PROJECT BENCH VICE	CREATED BY A. PARDO	APPROVED BY		
PART NAME SLIDE BACK	PART CODE 2.4	DOCUMENT TYPE PART	MATERIAL STEEL METAL	
 OPEN SOURCE ECOLOGY GERMANY	LICENSE 	FILE NAME slide back.ipt	VERSION 1.0	QUANTITY 1
		SCALE 1 : 1	SHEET 12/21	DATE 29/3/2020

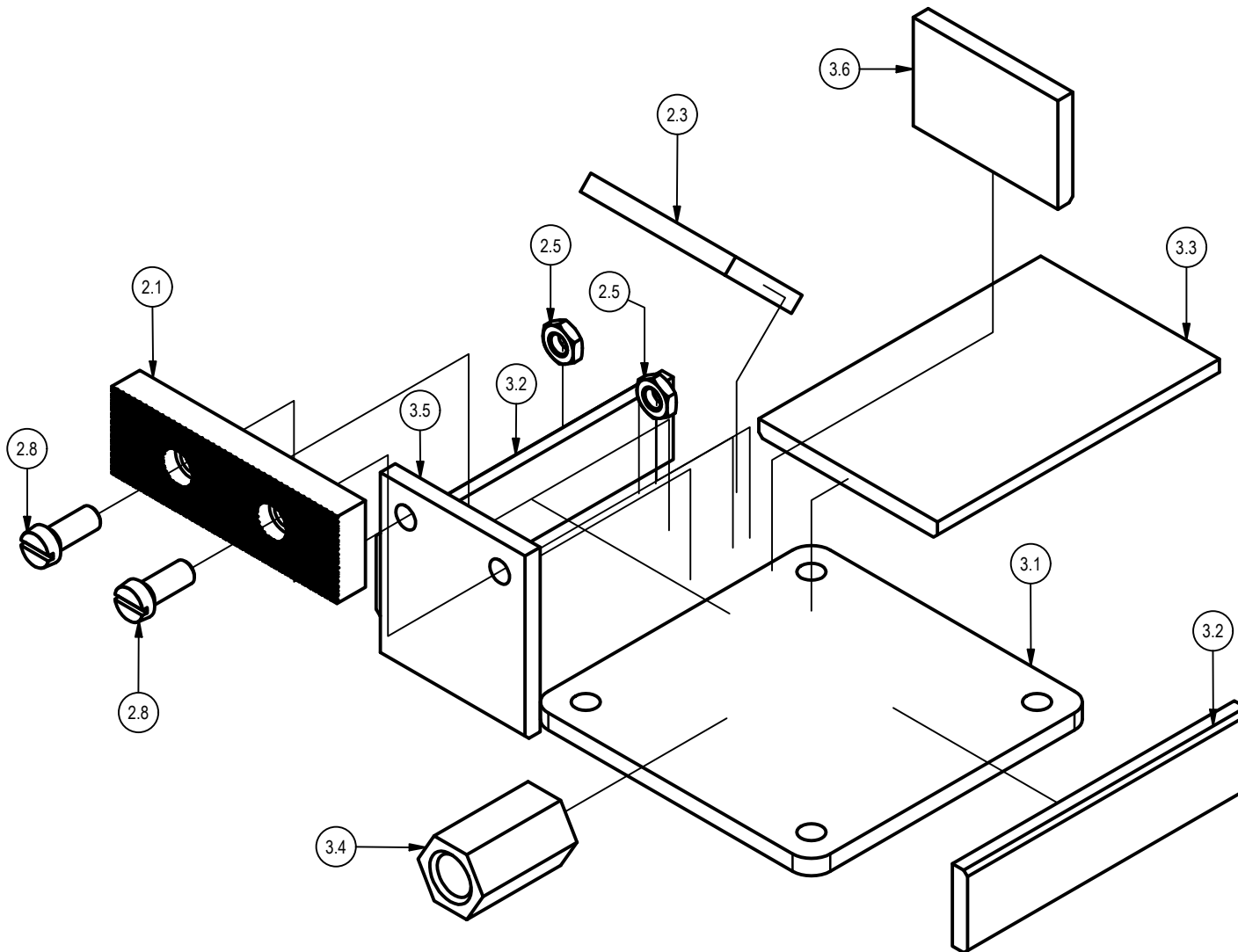




SECTION B-B
SCALE 1 : 1

PROJECT BENCH VICE	CREATED BY A. PARDO	APPROVED BY		
PART NAME BACK SUPPORT	PART CODE 2.6	DOCUMENT TYPE PART.	MATERIAL STEEL METAL	
 OPEN SOURCE ECOLOGY GERMANY	LICENSE 	FILE NAME back support.ipt	VERSION 1.0	QUANTITY 1
		SCALE 1 : 1	SHEET 13/21	DATE 29/3/2020

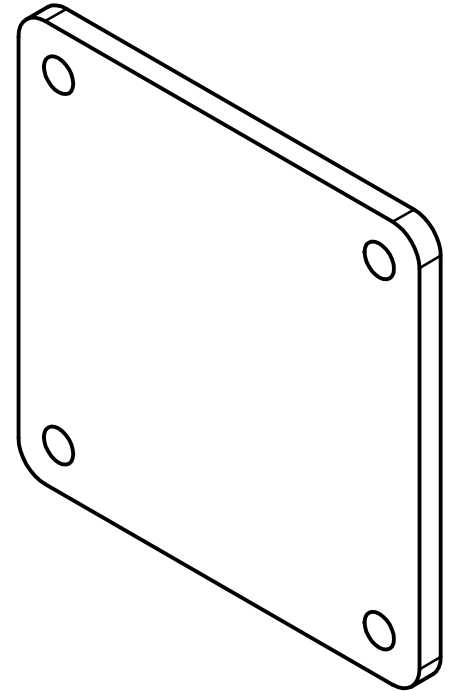
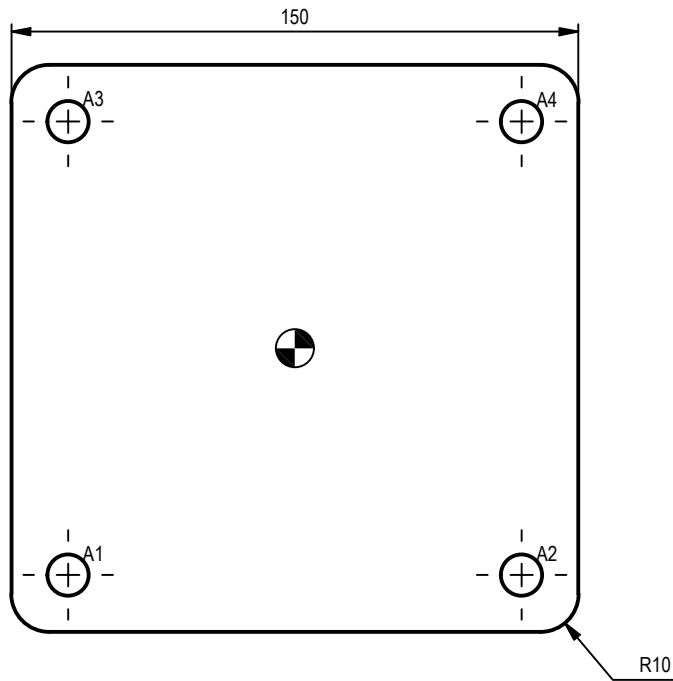
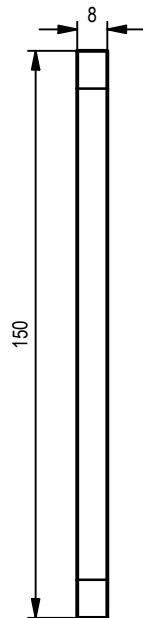




PROJECT BENCH VICE	CREATED BY A. PARDO	APPROVED BY		
PART NAME SLIDE	PART CODE 2.7	DOCUMENT TYPE PART	MATERIAL STEEL METAL	
 OPEN SOURCE ECOLOGY GERMANY	LICENSE 	FILE NAME slide.ipt	VERSION 1.0	QUANTITY 1
		SCALE 1:1	SHEET 14/21	DATE 29/3/2020

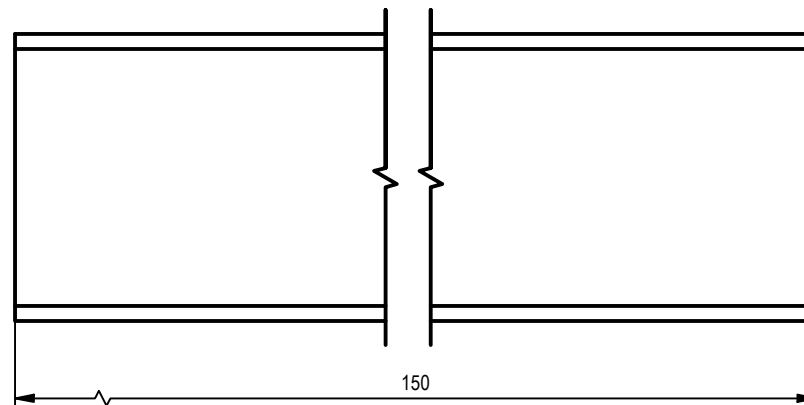
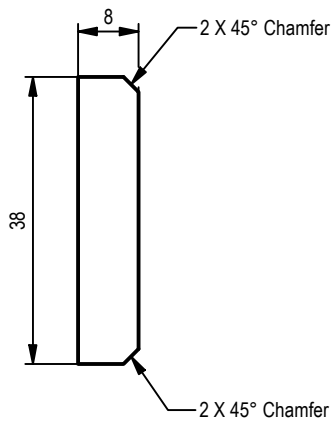
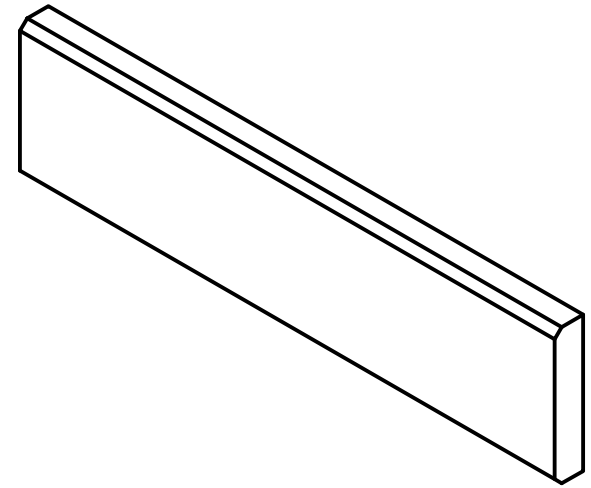




PROJECT BENCH VICE	CREATED BY A. PARDO	APPROVED BY		
PART NAME FIXED CLAMPING JAW	PART CODE 2	DOCUMENT TYPE ASSAMBLY	MATERIAL STEEL METAL	
 <small>OPEN SOURCE ECOLOGY GERMANY</small>	LICENSE 	FILE NAME FIXED CLAMPING JAW.iam	VERSION 1.0	QUANTITY 1
		SCALE 1 : 2.5	SHEET 15/21	DATE 21/9/2020

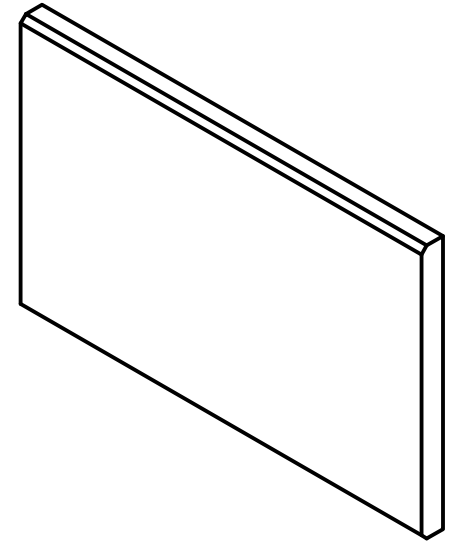
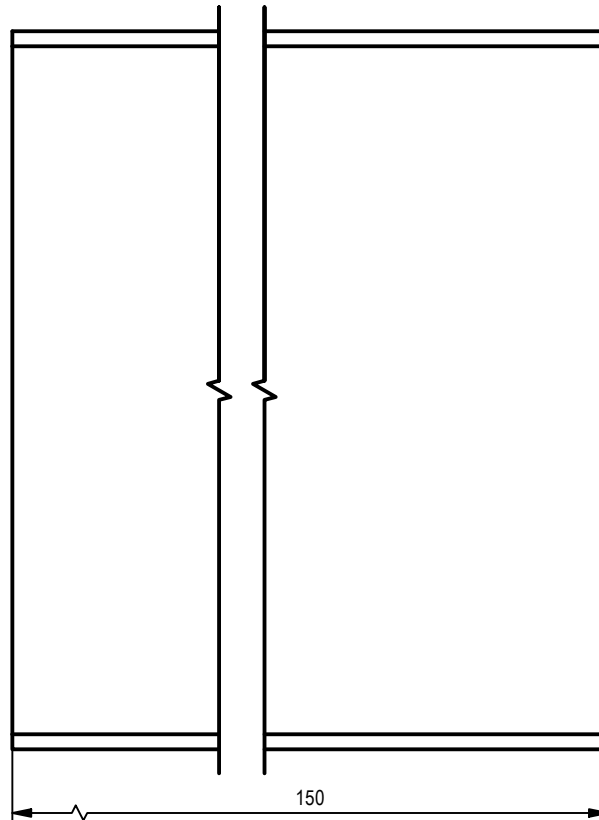
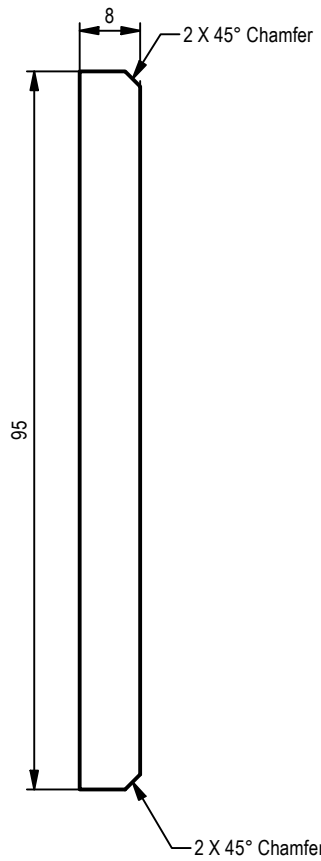
HOLE TABLE			
HOLE	XDIM	YDIM	DESCRIPTION
A1	-60.00	-60.00	Ø11 THRU
A2	60.00	-60.00	Ø11 THRU
A3	-60.00	60.00	Ø11 THRU
A4	60.00	60.00	Ø11 THRU





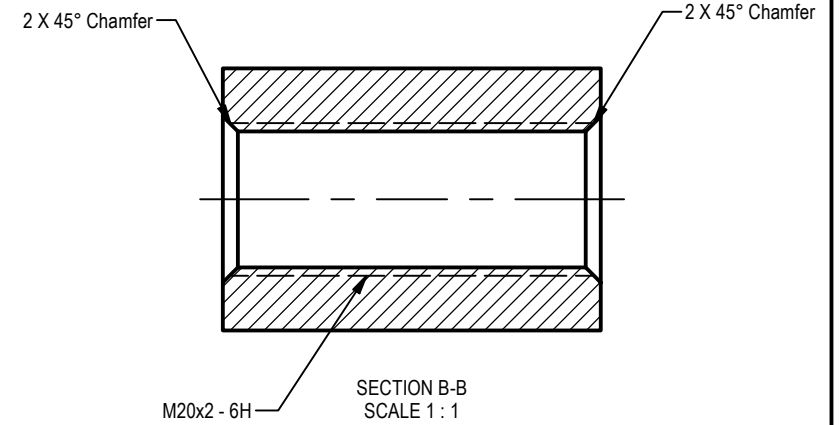
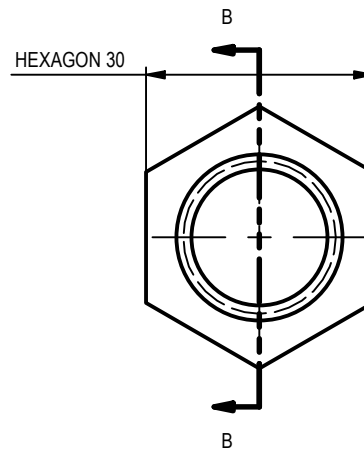
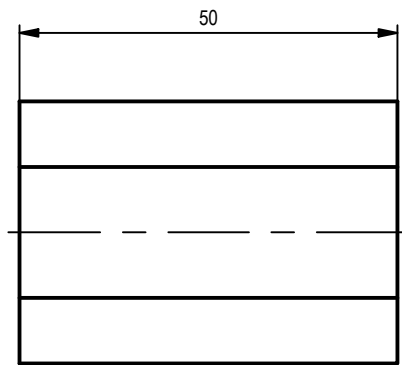
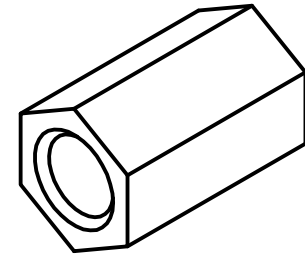
PROJECT BENCH VICE	CREATED BY A. PARDO	APPROVED BY		
PART NAME BASE	PART CODE 3.1	DOCUMENT TYPE PART	MATERIAL STEEL METAL	
 <small>OPEN SOURCE ECOLOGY GERMANY</small>	LICENSE 	FILE NAME base.ipt	VERSION 1.0	QUANTITY 1
		SCALE 1 : 2	SHEET 16/21	DATE 29/3/2020





PROJECT BENCH VICE	CREATED BY A. PARDO	APPROVED BY		
PART NAME BODY SIDE	PART CODE 3.2	DOCUMENT TYPE PART	MATERIAL STEEL METAL	
 <small>OPEN SOURCE ECOLOGY GERMANY</small>	LICENSE 	FILE NAME body side.ipt	VERSION 1	QUANTITY 1
		SCALE 1:1	SHEET 17/21	DATE 29/3/2020

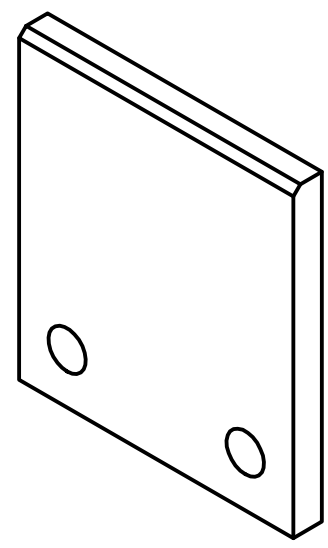
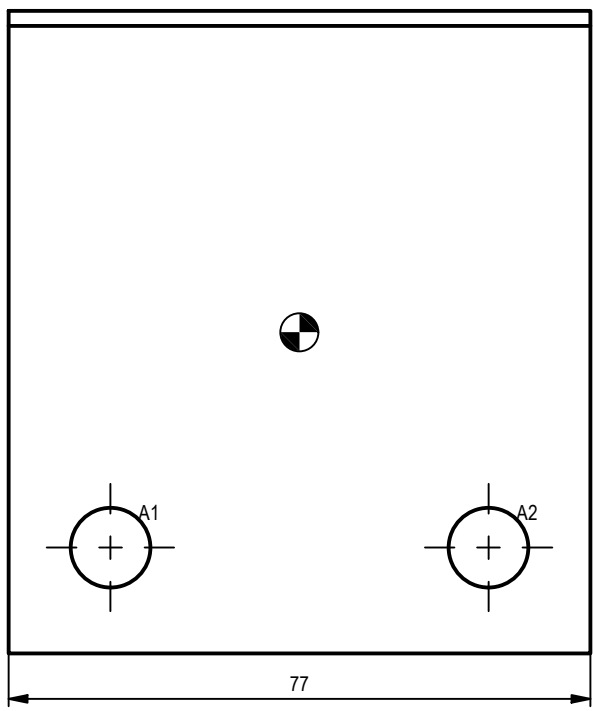
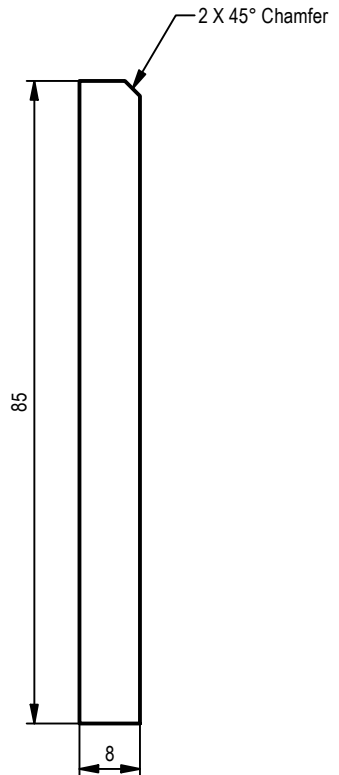




PROJECT BENCH VICE	CREATED BY A. PARDO	APPROVED BY		
PART NAME BODY TOP	PART CODE 3.3	DOCUMENT TYPE PART	MATERIAL STEEL METAL	
 <small>OPEN SOURCE ECOLOGY GERMANY</small>	LICENSE 	FILE NAME body top.ipt	VERSION 1.0	QUANTITY 1
		SCALE 1:1	SHEET 18/21	DATE 1/4/2020

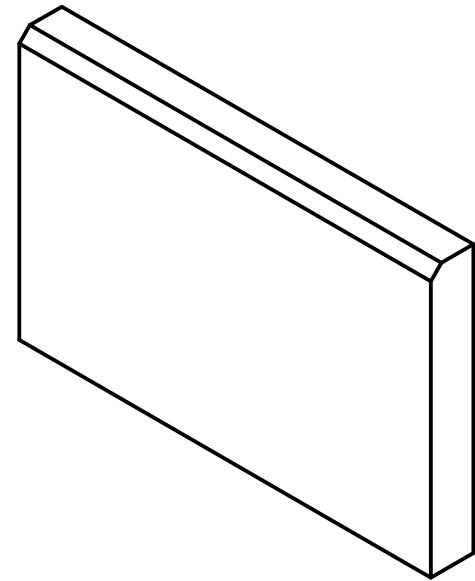
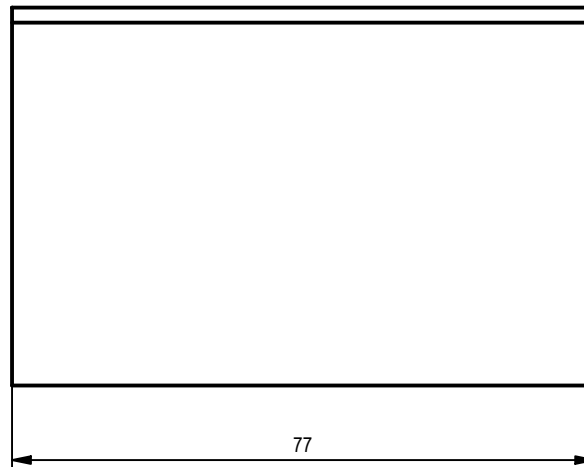
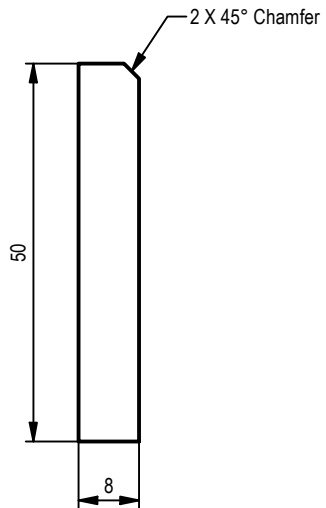




PROJECT BENCH VICE	CREATED BY A. PARDO	APPROVED BY		
PART NAME NUT	PART CODE 3.4	DOCUMENT TYPE PART	MATERIAL STEEL METAL	
 OPEN SOURCE ECOLOGY GERMANY	LICENSE 	FILE NAME nut.ipt	VERSION 1.0	QUANTITY 1
		SCALE 1 : 1	SHEET 19/21	DATE 29/3/2020

HOLE TABLE			
HOLE	XDIM	YDIM	DESCRIPTION
A1	-25.00	-28.50	Ø10.5 THRU
A2	25.00	-28.50	Ø10.5 THRU



PROJECT BENCH VICE	CREATED BY A. PARDO	APPROVED BY		
PART NAME BODY TOWER	PART CODE 3.5	DOCUMENT TYPE PART	MATERIAL STEEL METAL	
 <small>OPEN SOURCE ECOLOGY GERMANY</small>	LICENSE 	FILE NAME body tower.ipt	VERSION 1.0	QUANTITY 1
		SCALE 1 : 1	SHEET 20/21	DATE 29/3/2020



PROJECT BENCH VICE	CREATED BY A. PARDO	APPROVED BY		
PART NAME BODY BACK	PART CODE 3.6	DOCUMENT TYPE PART	MATERIAL STEEL METAL	
 <small>OPEN SOURCE ECOLOGY GERMANY</small>	LICENSE 	FILE NAME body back.ipt	VERSION 1.0	QUANTITY 1
		SCALE 1:1	SHEET 21/21	DATE 29/3/2020